

US00D504877S

(12) **United States Design Patent**  
**Honda et al.**

(10) **Patent No.: US D504,877 S**

(45) **Date of Patent: \*\* May 10, 2005**

(54) **PORTION OF PROJECTION TELEVISION SET**

D497,146 S \* 10/2004 Asanuma et al. .... D14/126  
D497,352 S \* 10/2004 Asanuma et al. .... D14/126

(75) Inventors: **Tatsuya Honda**, Yokohama (JP);  
**Hiroshi Onoda**, Suginami-ku (JP)

**FOREIGN PATENT DOCUMENTS**

JP 1186726 10/2003

(73) Assignee: **Kabushiki Kaisha Toshiba** (JP)

**OTHER PUBLICATIONS**

(\*\*) Term: **14 Years**

Sony television 1999 training guide, cover.\*

(21) Appl. No.: **29/198,740**

\* cited by examiner

(22) Filed: **Feb. 5, 2004**

*Primary Examiner*—Raphael Barkai

(30) **Foreign Application Priority Data**

(74) *Attorney, Agent, or Firm*—Banner & Witcoff, Ltd.

Dec. 12, 2003 (JP) ..... 2003-036940

(57) **CLAIM**

(51) **LOC (7) Cl.** ..... **14-03**

The ornamental design for a portion of projection television set, as shown and described.

(52) **U.S. Cl.** ..... **D14/128; D14/239**

**DESCRIPTION**

(58) **Field of Search** ..... D14/125–134,  
D14/239, 371, 374–376; 312/7.2; 348/836,  
838, 180, 184, 325, 739; 341/12; 248/917–924;  
345/104, 133, 156, 168, 87, 173

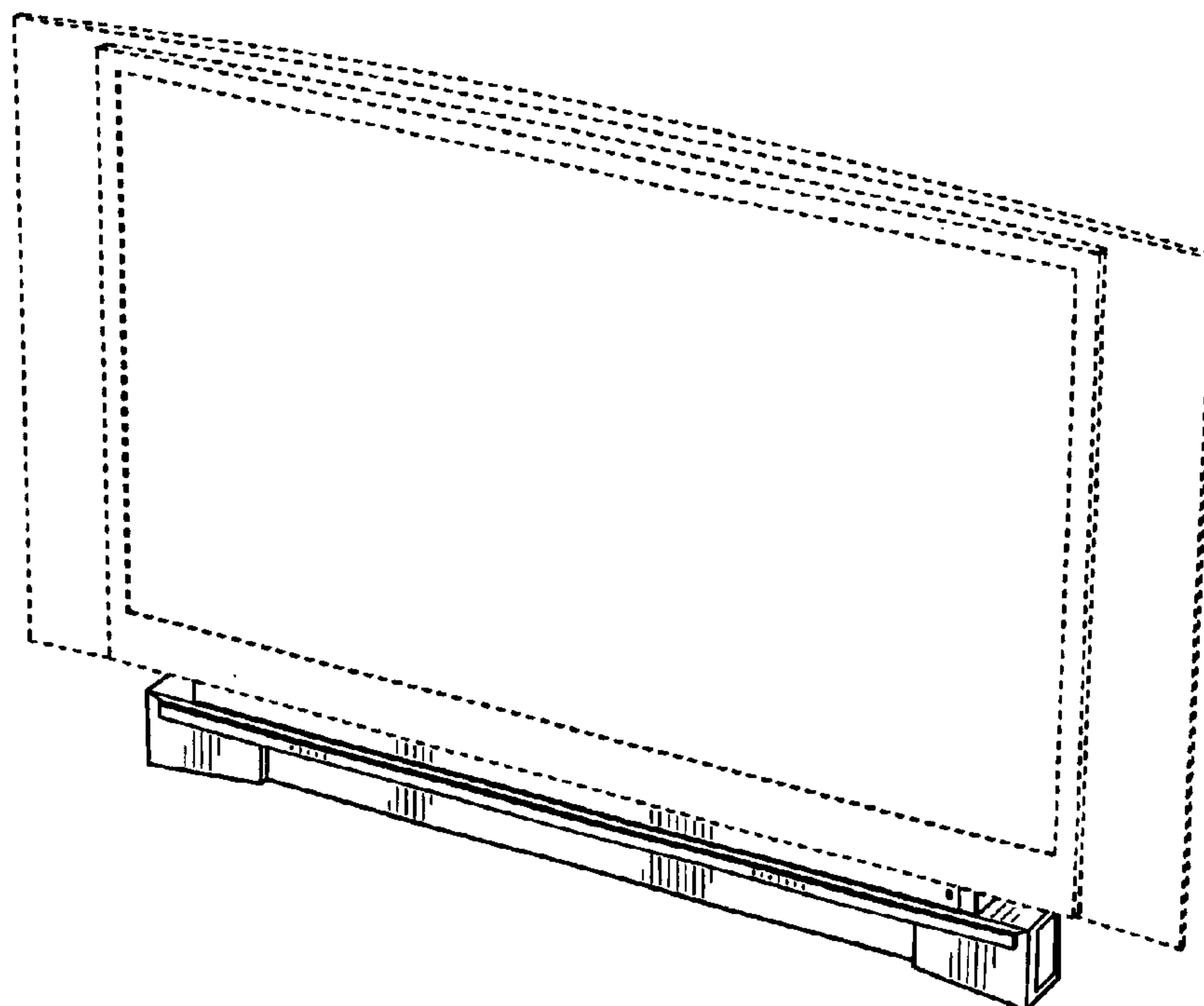
FIG. 1 is a front, top and right side perspective view of a portion of projection television set, showing our new design; FIG. 2 is a front elevational view thereof; FIG. 3 is a top plan view thereof; FIG. 4 is a rear elevational view thereof; FIG. 5 is a bottom plan view thereof; FIG. 6 is a left side elevational view thereof; and, FIG. 7 is a right side elevational view thereof. The broken line portion is shown for illustrative purpose only and forms no part of the claimed design.

(56) **References Cited**

**U.S. PATENT DOCUMENTS**

D454,845 S \* 3/2002 Niitsu ..... D14/126  
D458,236 S \* 6/2002 Bong et al. .... D14/126  
D476,632 S \* 7/2003 Inoue et al. .... D14/126  
D485,538 S \* 1/2004 Goto et al. .... D14/128  
D486,456 S \* 2/2004 Fujiki ..... D14/126  
D494,942 S \* 8/2004 Forlenza ..... D14/128

**1 Claim, 3 Drawing Sheets**



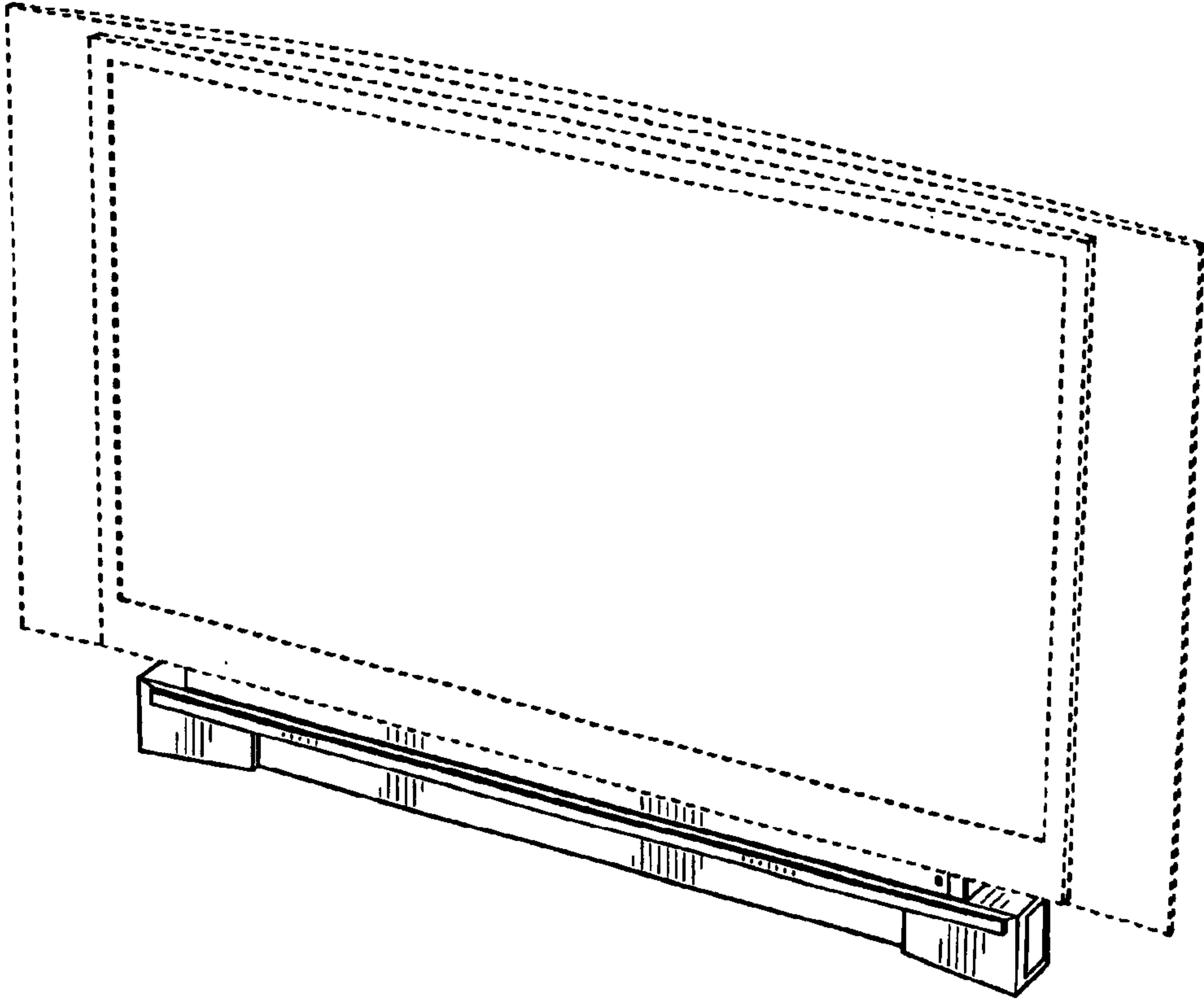


FIG. 1

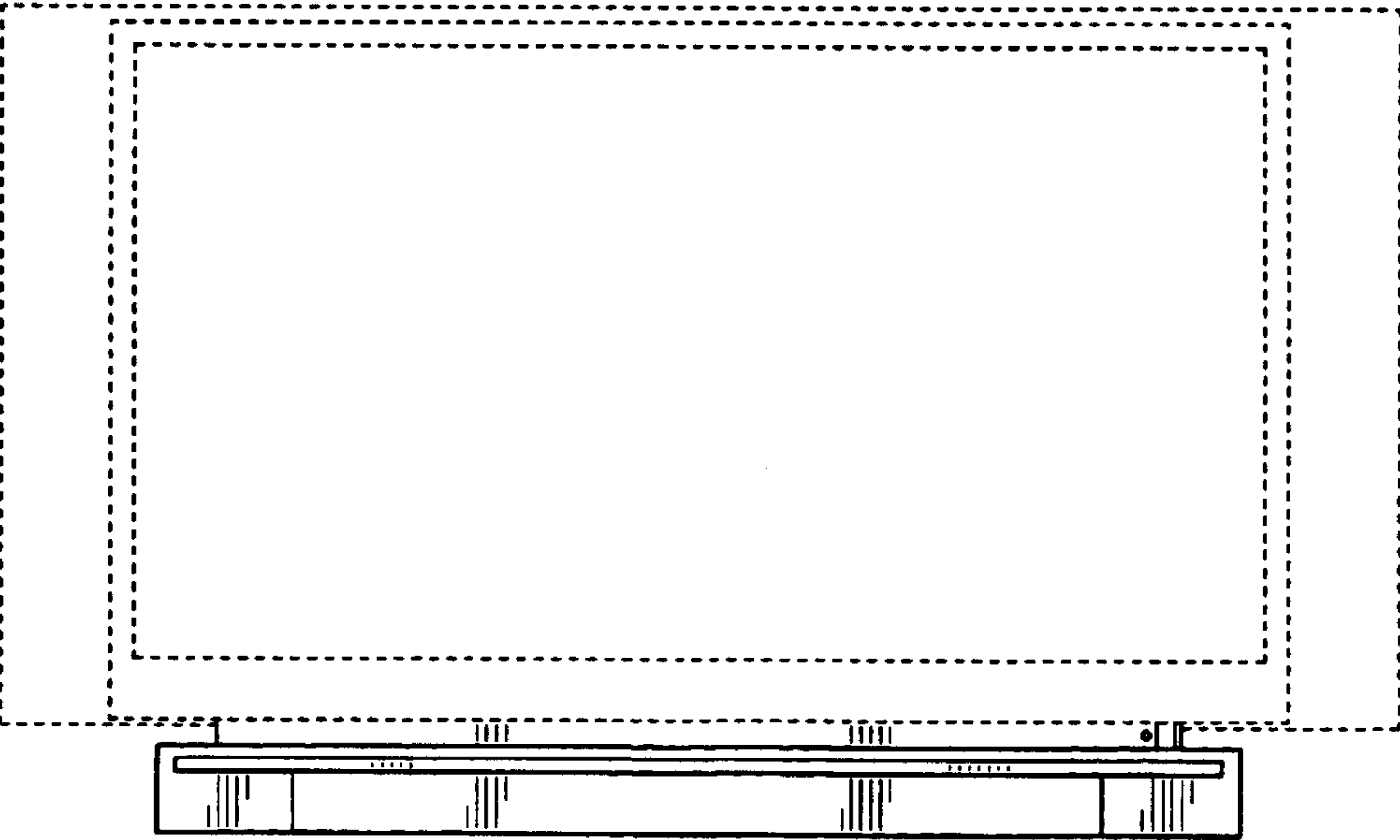


FIG. 2

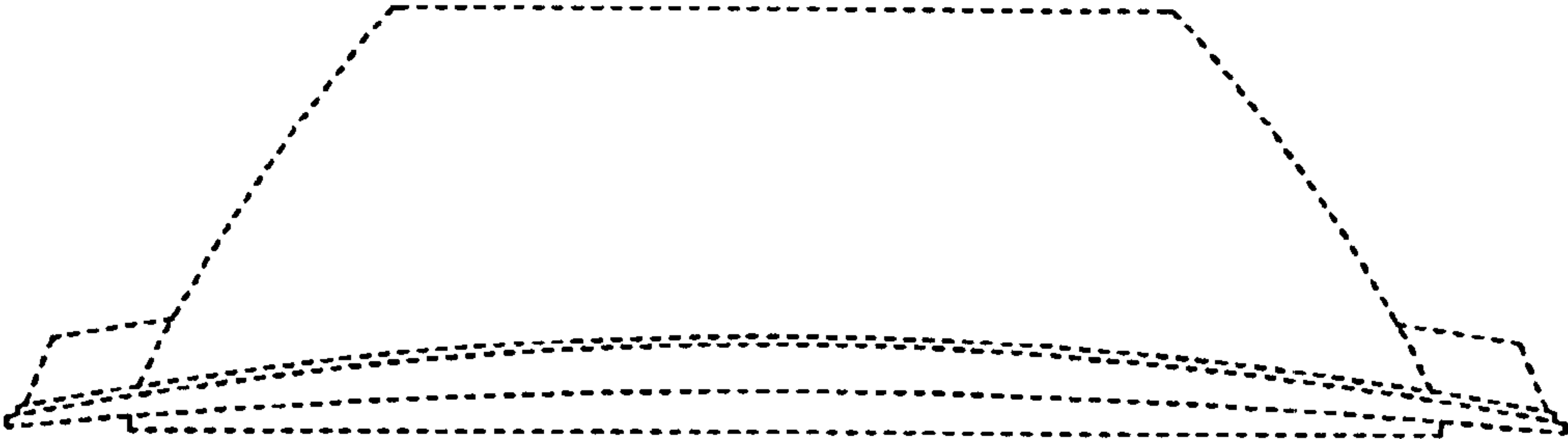


FIG.3

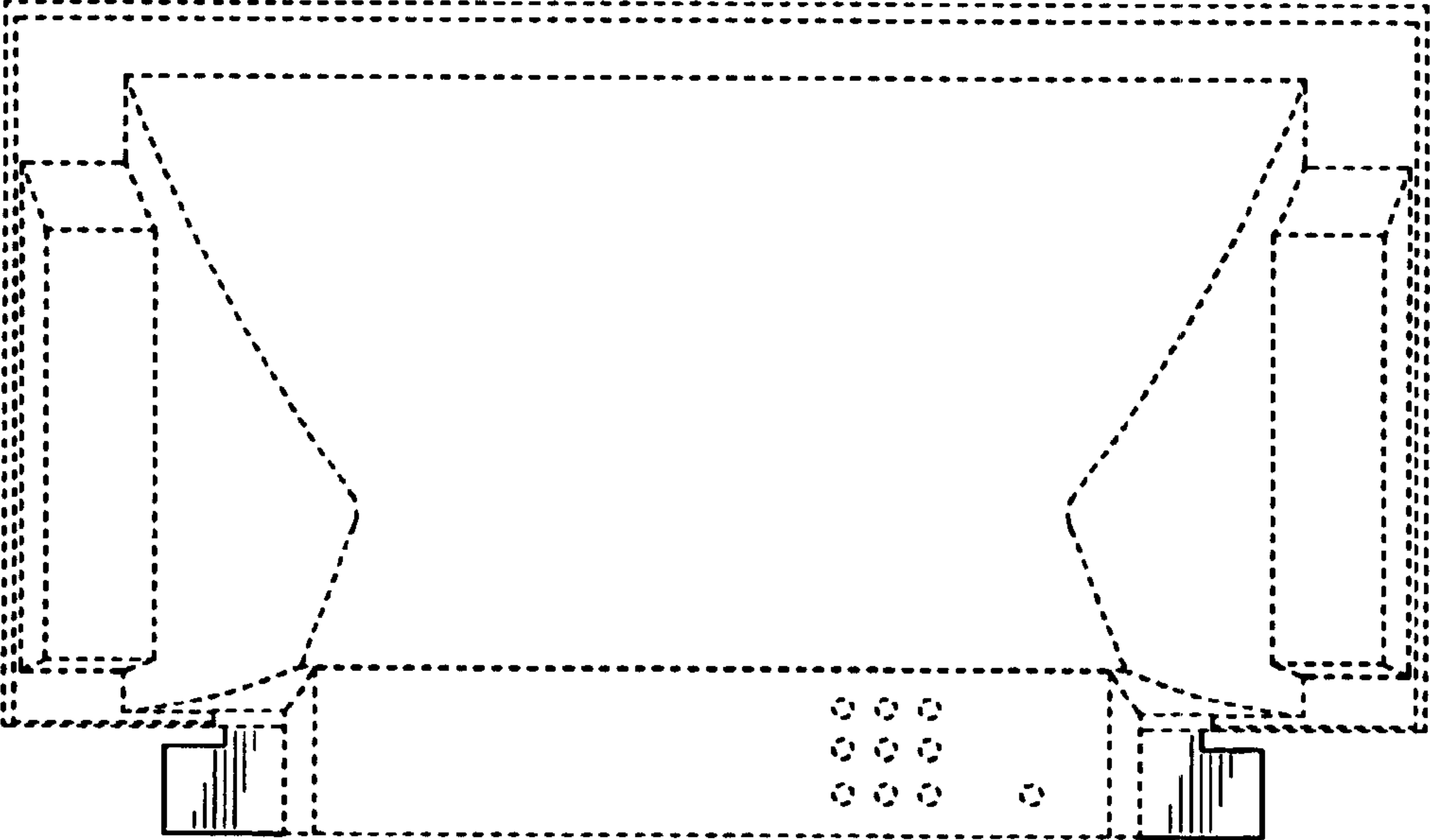


FIG.4

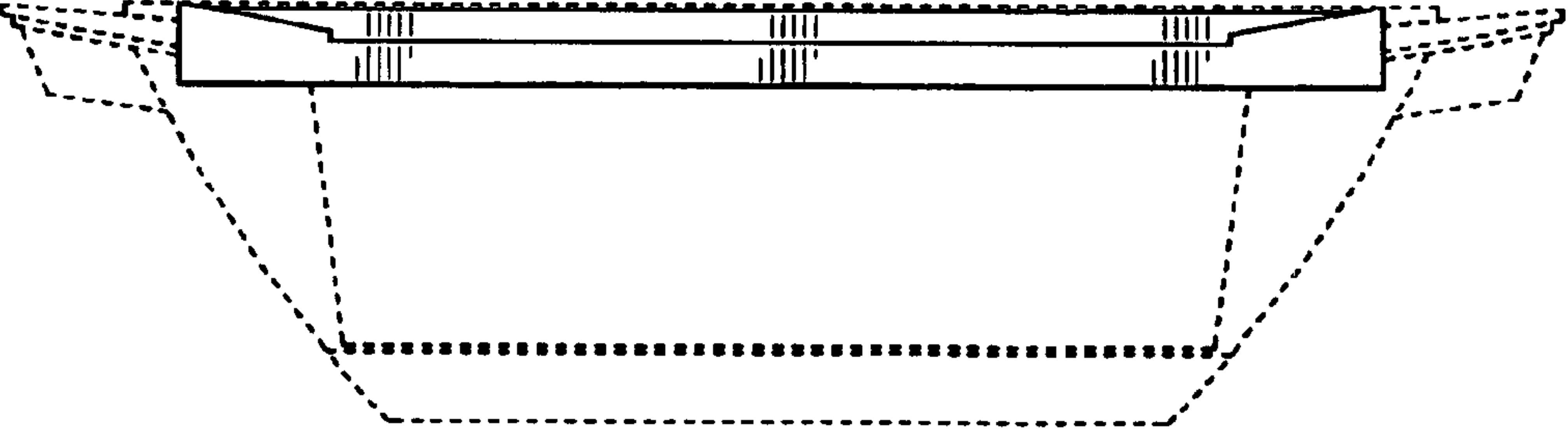


FIG.5

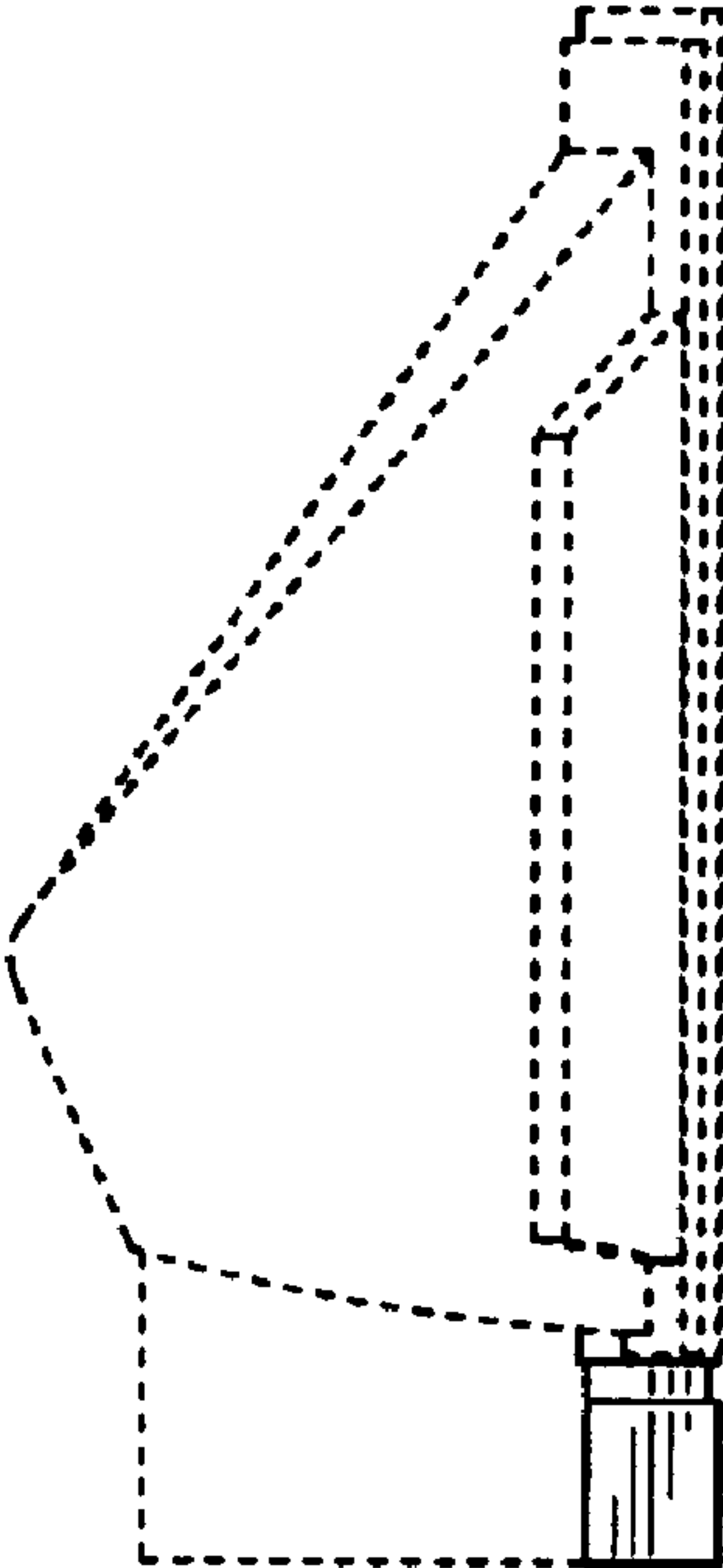


FIG.6

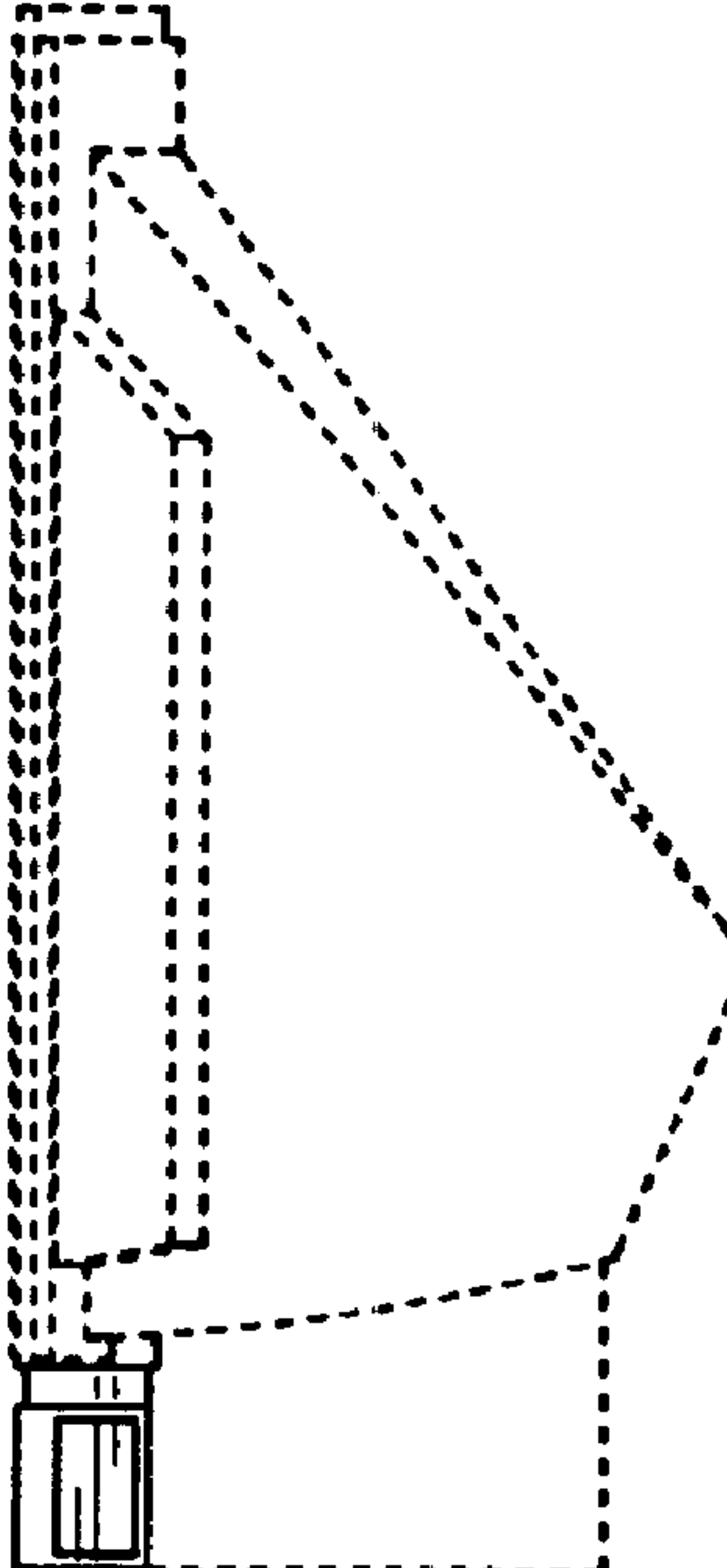


FIG.7