

US00D504861S

(12) **United States Design Patent**  
**Colussi et al.**

(10) **Patent No.: US D504,861 S**

(45) **Date of Patent: \*\* May 10, 2005**

(54) **WHEEL HUB COVER FOR ROTARY AIR COUPLING**

6,260,595 B1 \* 7/2001 Cobb ..... 152/417  
D450,290 S \* 11/2001 Schardt ..... D12/213  
6,325,124 B1 \* 12/2001 Colussi et al. .... 152/417

(75) Inventors: **Rafael Antonio Colussi**, Guadalupe Norte (AR); **Nestor Juan Venica**, Santa Fe (AR)

\* cited by examiner

*Primary Examiner*—Stacia Cadmus

(73) Assignee: **Col-Ven, S.A.**, Santa Fe (AR)

(74) *Attorney, Agent, or Firm*—Davidson Davidson & Kappel, LLC

(\*\*) Term: **14 Years**

(57) **CLAIM**

(21) Appl. No.: **29/208,010**

The ornamental design for a wheel hub cover for rotary air coupling, as shown and described.

(22) Filed: **Jun. 22, 2004**

**DESCRIPTION**

(51) **LOC (7) Cl.** ..... **12-16**

(52) **U.S. Cl.** ..... **D12/213**

(58) **Field of Search** ..... D12/207, 213,  
D12/400, 604, 606–607; 301/108.1, 105.1;  
152/415–417, 427–429

FIG. 1 is a top, front, right side perspective of a wheel hub cover for rotary air coupling;

FIG. 2 is a top and back perspective view thereof;

FIG. 3 is a front elevational view thereof;

FIG. 4 is a back elevational view thereof;

FIG. 5 is a right side elevational view thereof, the left side elevational view being identical thereto;

FIG. 6 is a bottom, back, right side perspective view thereof; and,

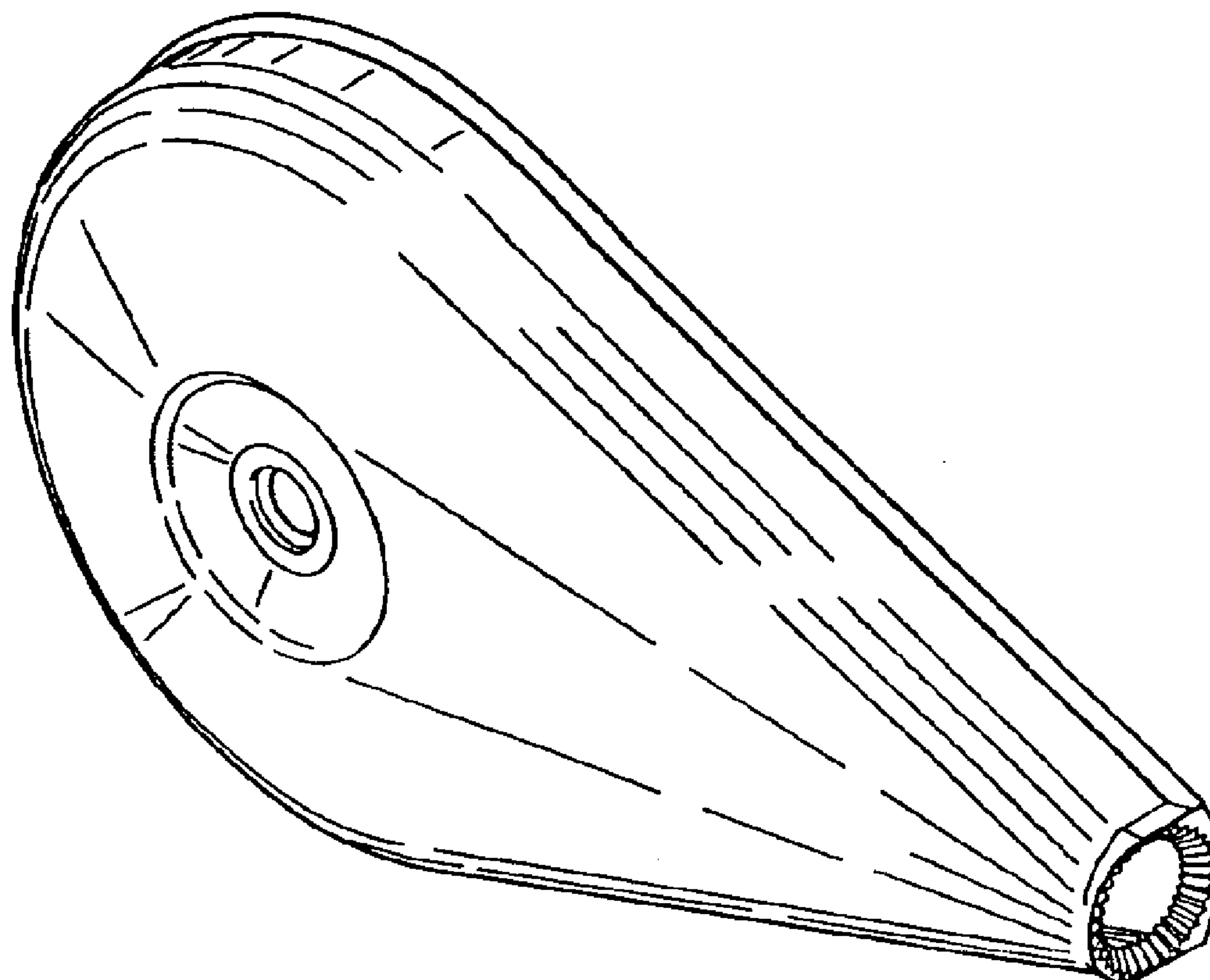
FIG. 7 is a bottom plan view thereof.

(56) **References Cited**

**U.S. PATENT DOCUMENTS**

D392,240 S \* 3/1998 Kingsland ..... D12/213  
6,182,727 B1 \* 2/2001 Beesley ..... 152/417  
D439,213 S \* 3/2001 Huang ..... D12/213  
D445,085 S \* 7/2001 Herrera ..... D12/213

**1 Claim, 2 Drawing Sheets**



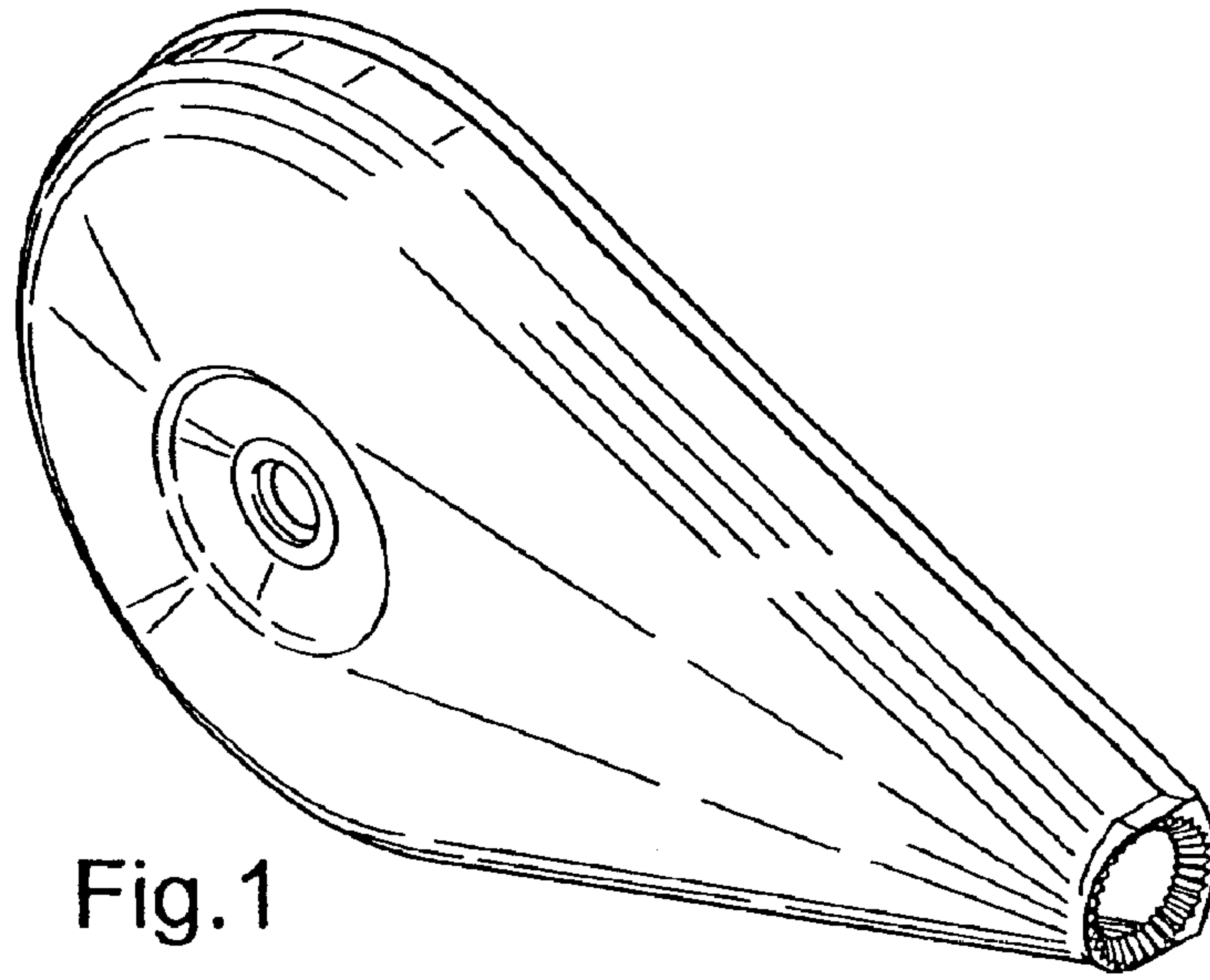


Fig.1

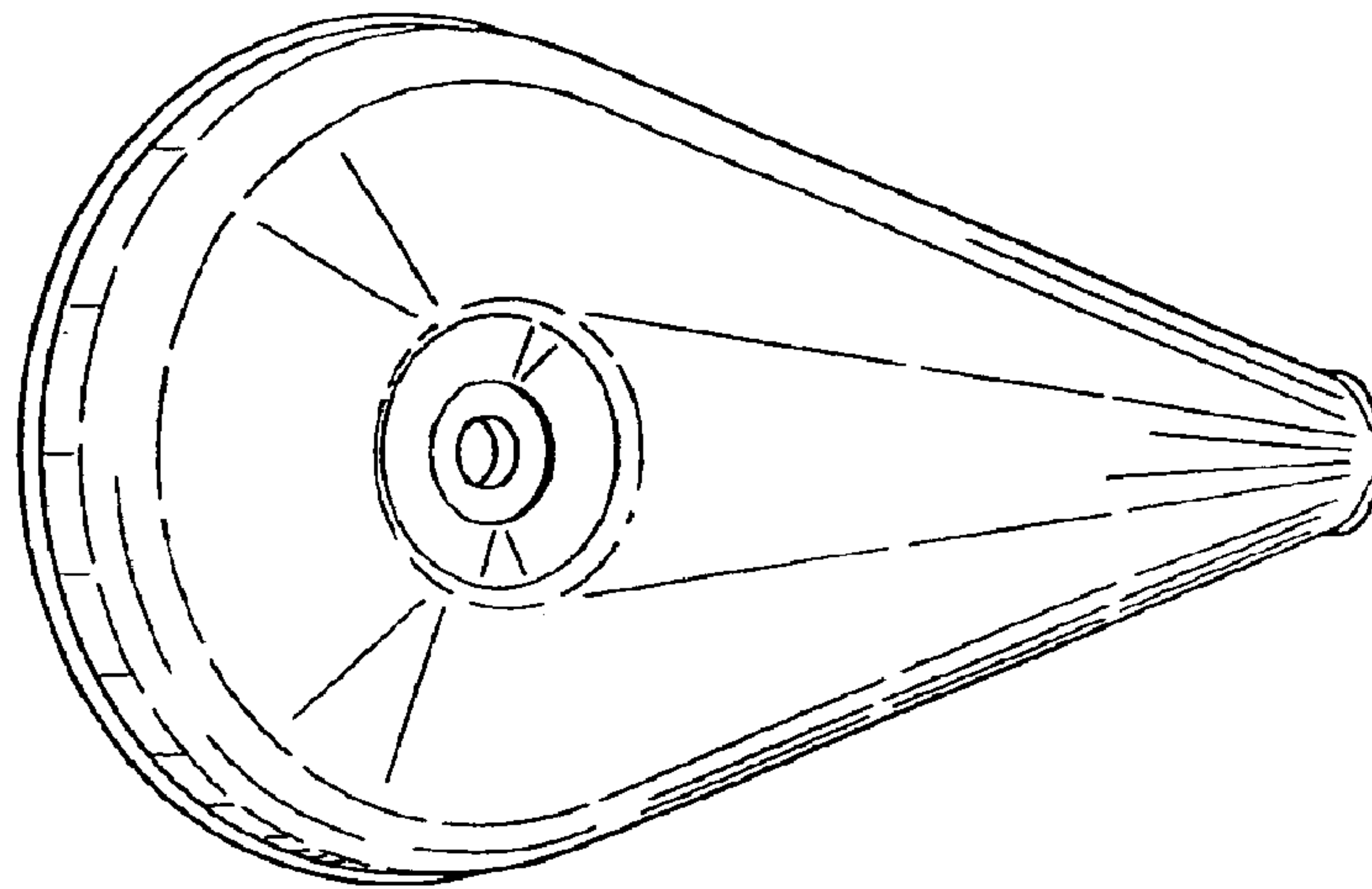


Fig.2

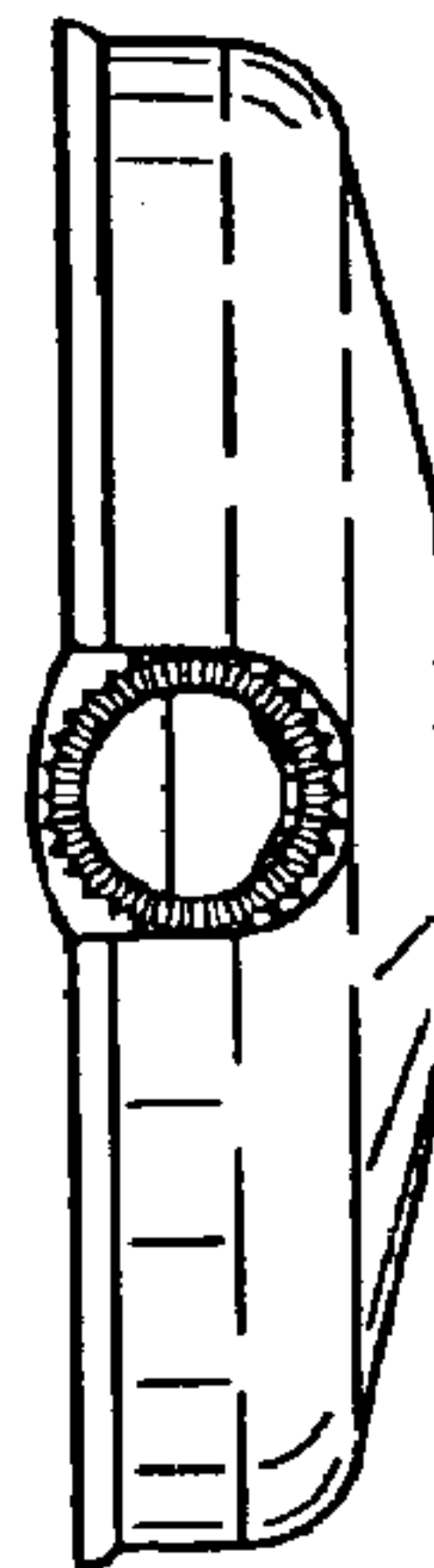


Fig.3

Fig.4

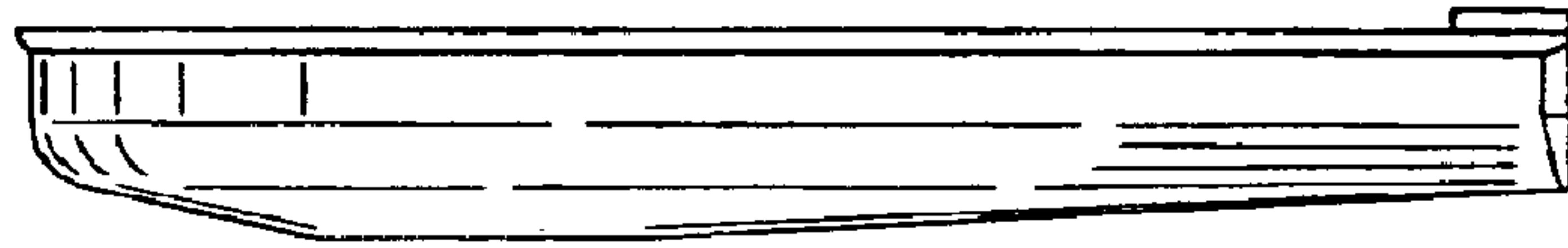
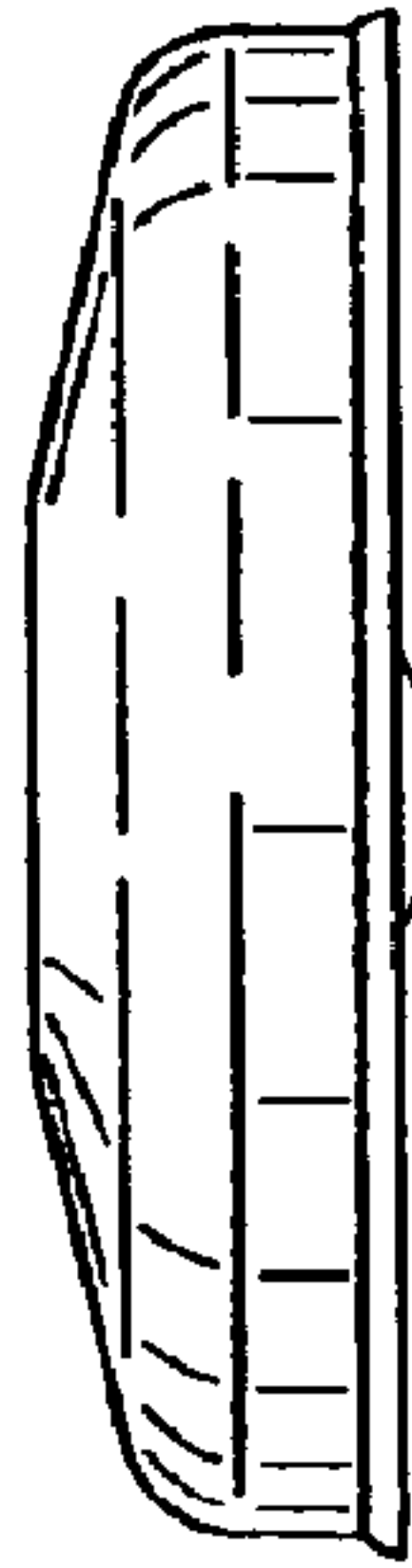


Fig.5

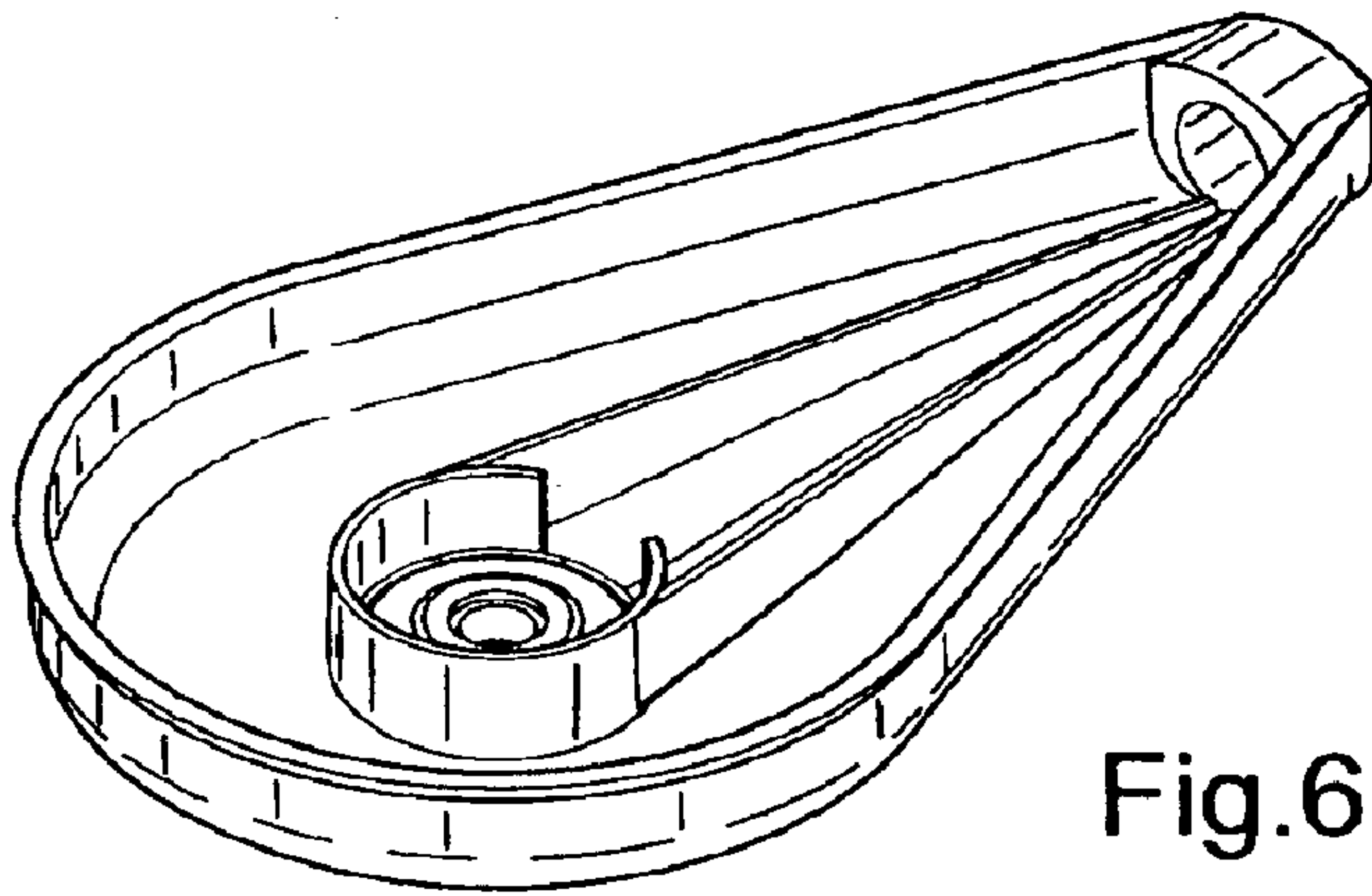


Fig.6

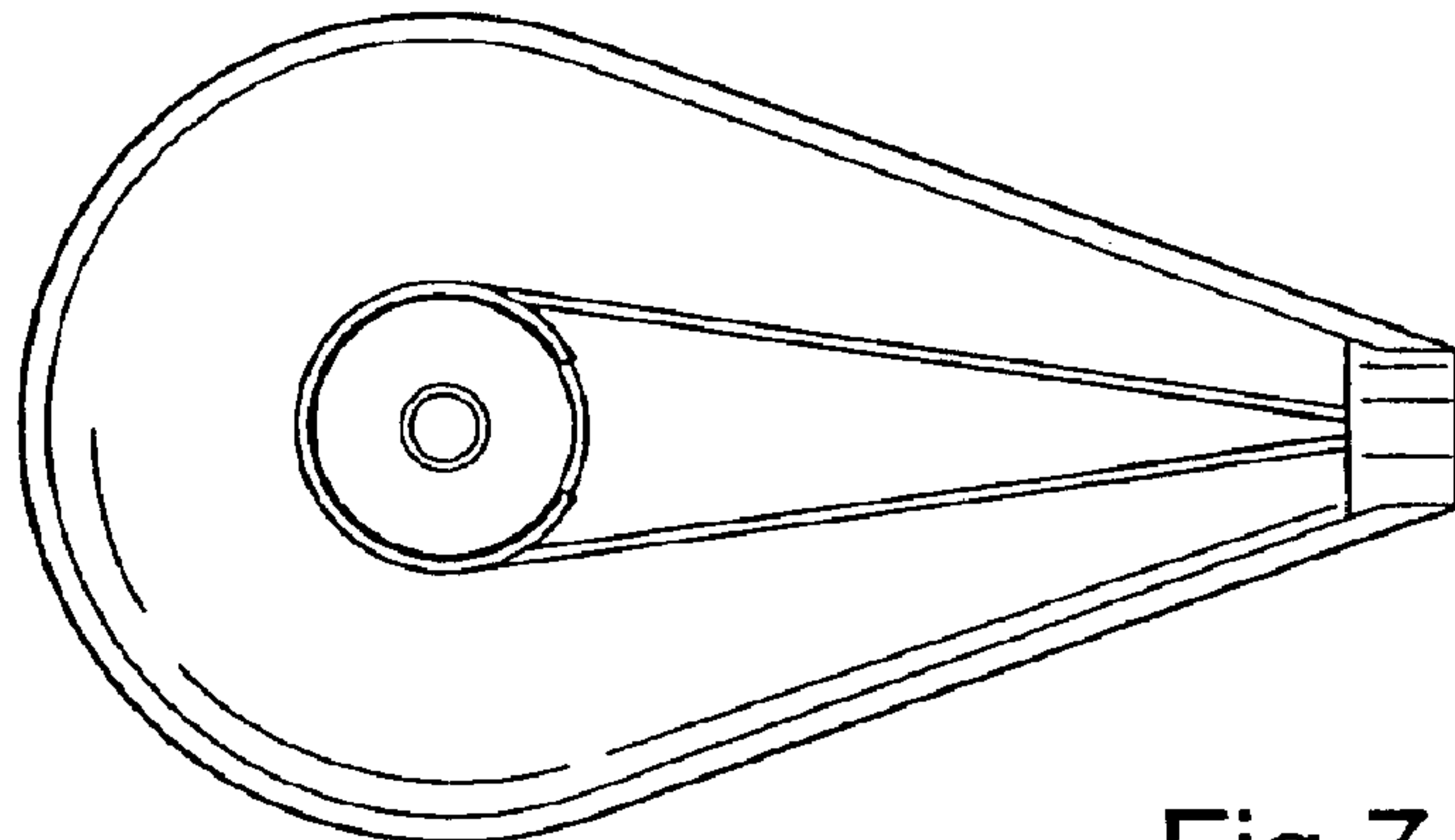


Fig.7