

US00D504860S

(12) **United States Design Patent**
Kushartanto

(10) **Patent No.: US D504,860 S**

(45) **Date of Patent: ** May 10, 2005**

(54) **VEHICLE WHEEL**

(75) Inventor: **A. Kushartanto**, Surabaya (ID)

(73) Assignee: **PT Prima Alloy Steel Universal**,
Sidoarjo (ID)

(**) Term: **14 Years**

(21) Appl. No.: **29/204,315**

(22) Filed: **Apr. 27, 2004**

(51) **LOC (7) Cl. 12-16**

(52) **U.S. Cl. D12/211**

(58) **Field of Search D12/204-213;**
301/37.101, 64.101, 65

D480,037 S	*	9/2003	Takechi	D12/211
D481,982 S	*	11/2003	Takechi	D12/211
D483,313 S	*	12/2003	Lenz	D12/209
D487,242 S	*	3/2004	Lecher et al.	D12/211
D487,419 S	*	3/2004	Kim	D12/211
D492,236 S	*	6/2004	Brown et al.	D12/211

* cited by examiner

Primary Examiner—Stacia Cadmus

(74) *Attorney, Agent, or Firm*—Fulwider Patton Lee & Utecht, LLP

(57) **CLAIM**

The ornamental design for the “vehicle wheel,” as shown and described.

DESCRIPTION

FIG. 1 is a perspective view of the vehicle wheel showing my new design;

FIG. 2 is a front elevational view thereof; and,

FIG. 3 is a cross-sectional view taken along the lines of 3—3 of FIG. 2.

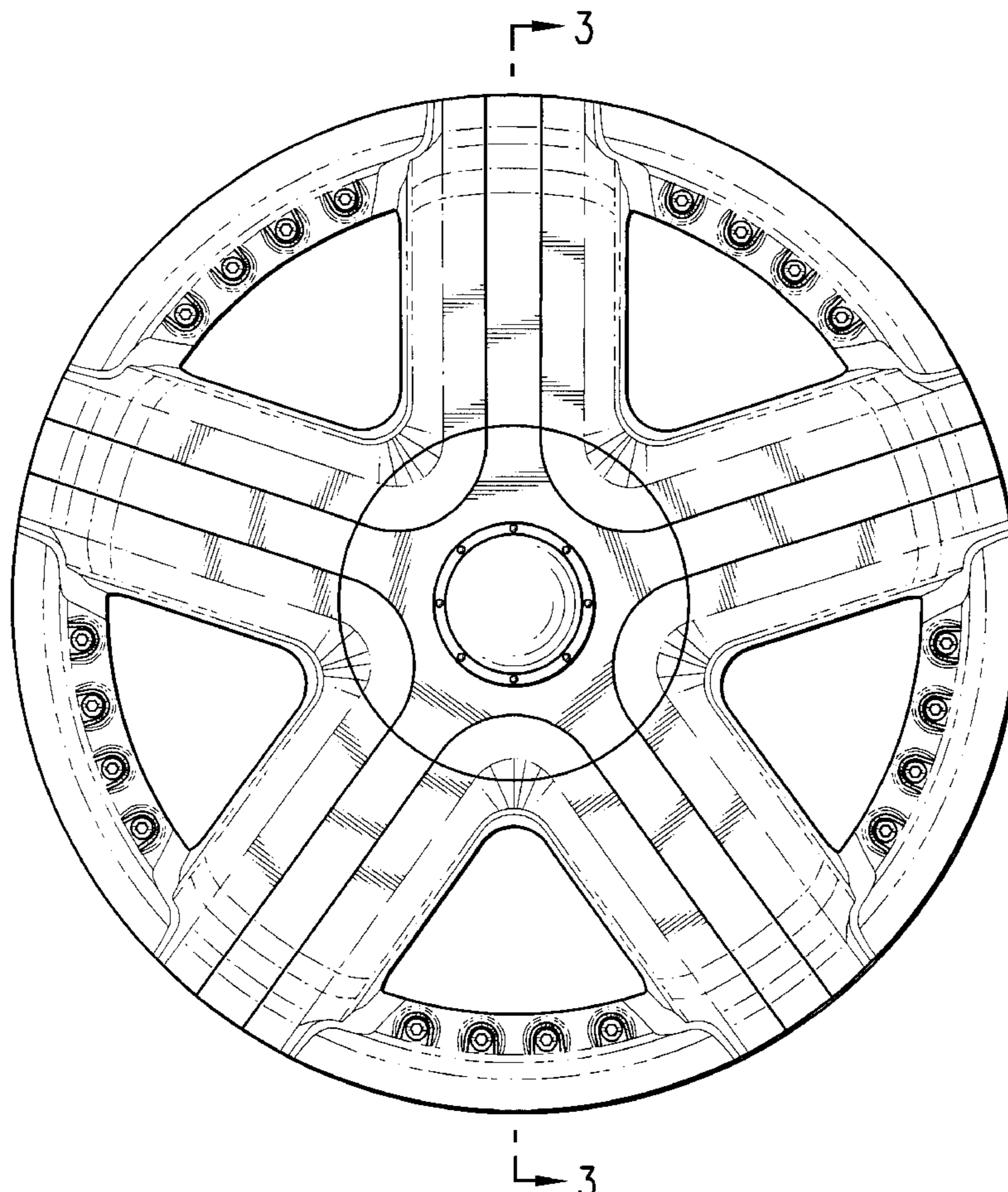
The broken line showing of environment is for illustrative purposes only and forms no part of the claimed design.

1 Claim, 3 Drawing Sheets

(56) **References Cited**

U.S. PATENT DOCUMENTS

D436,907 S	*	1/2001	Ong	D12/209
D459,691 S	*	7/2002	Takechi	D12/211
D461,440 S	*	8/2002	Koch	D12/211
D461,756 S	*	8/2002	Hieke	D12/211
D462,309 S	*	9/2002	Hieke	D12/211
D466,067 S	*	11/2002	Muzzarelli	D12/211
D470,449 S	*	2/2003	Bernoni	D12/211



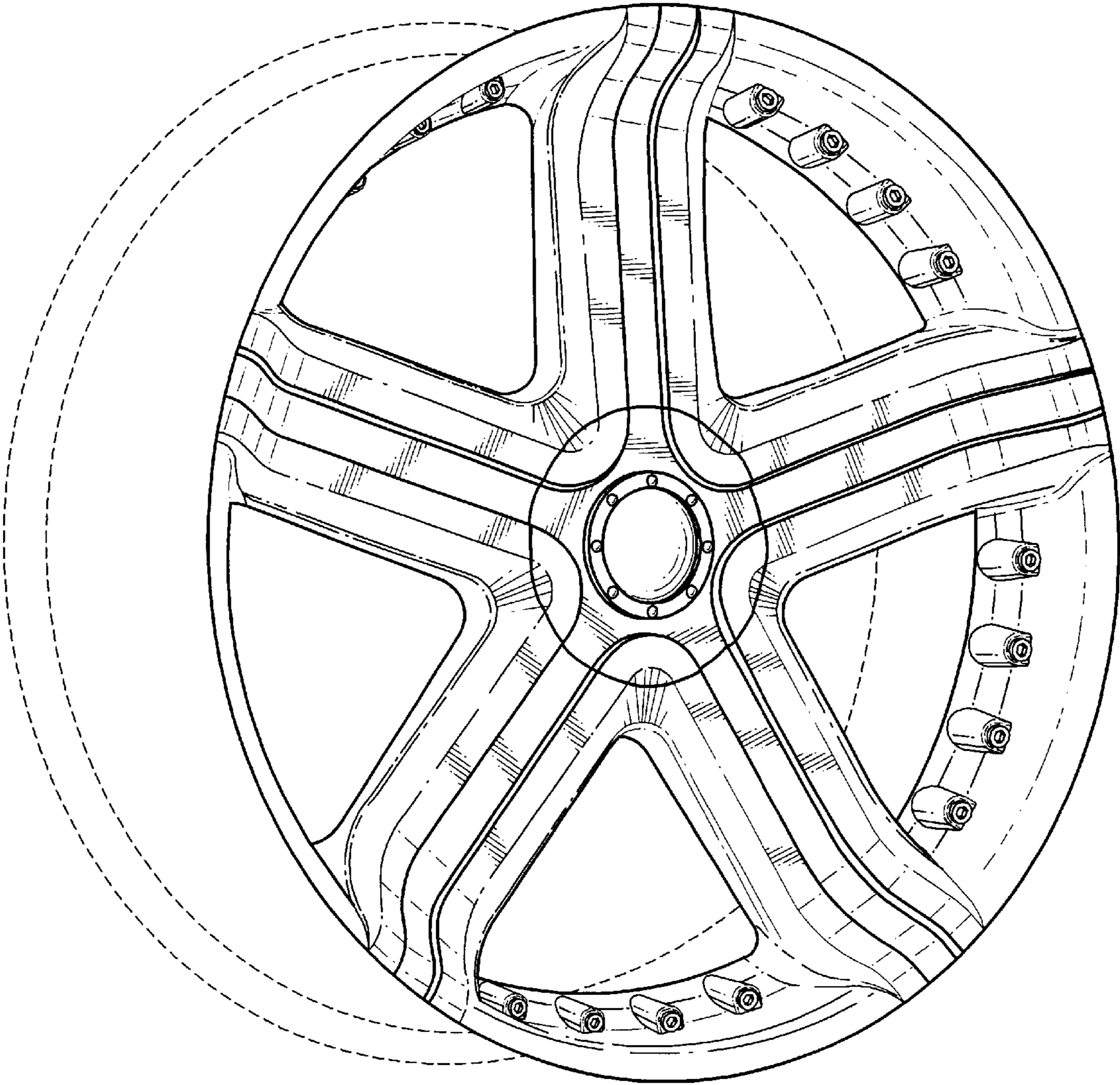


FIG. 1

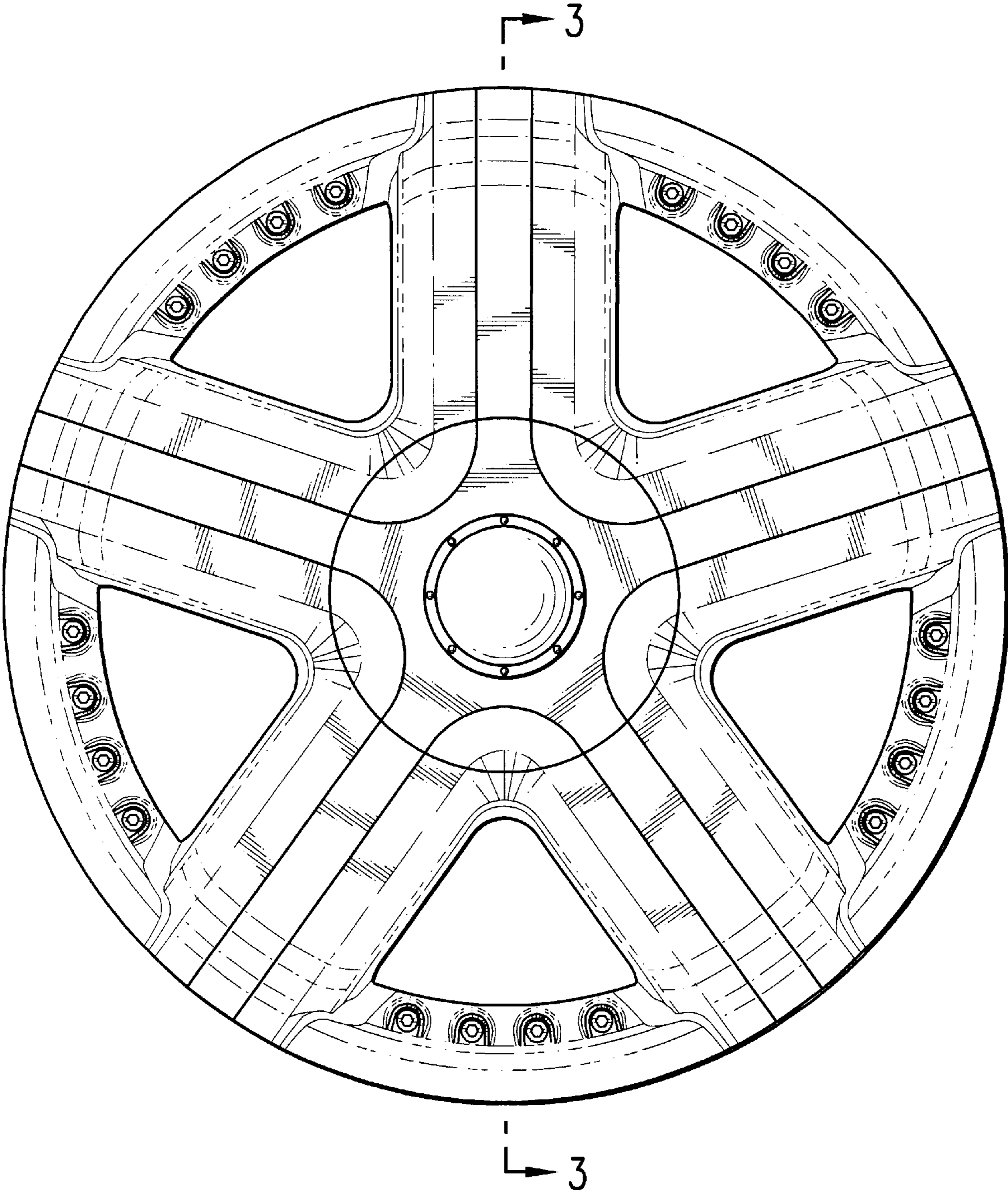


FIG. 2

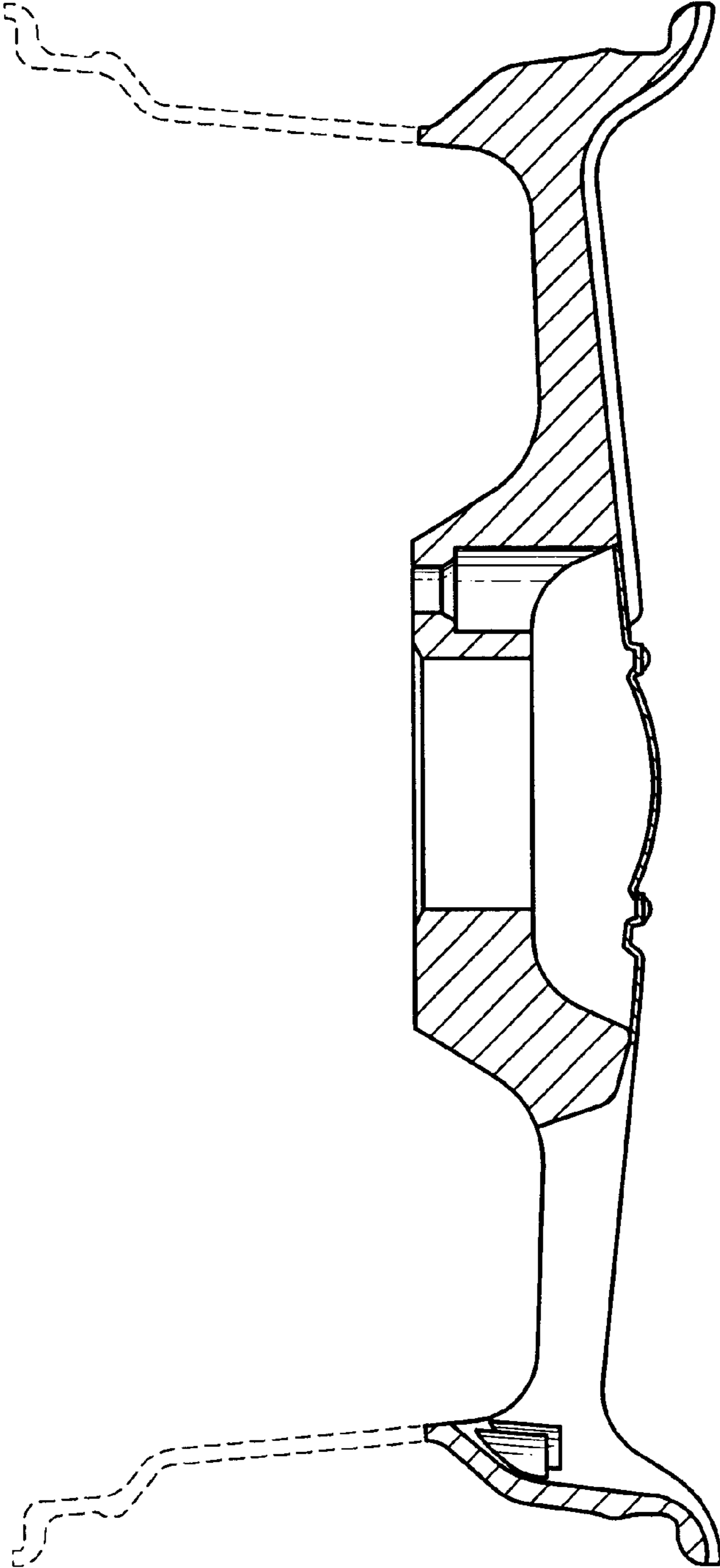


FIG. 3