

US00D504859S

(12) **United States Design Patent** (10) **Patent No.:** **US D504,859 S**
Sulahian (45) **Date of Patent:** **** May 10, 2005**

(54) **FRONT FACE OF A VEHICLE WHEEL**

D464,308 S 10/2002 Chung
D465,186 S 11/2002 Chung
D466,851 S 12/2002 Pfeiffer et al.
D466,854 S 12/2002 Kern
D469,727 S 2/2003 Lenz
D471,504 S 3/2003 Laengerer

(76) Inventor: **Diko Sulahian**, 12717 Ann St., Santa Fe Springs, CA (US) 90670

(**) Term: **14 Years**

(Continued)

(21) Appl. No.: **29/209,806**

(22) Filed: **Jul. 22, 2004**

(51) **LOC (7) Cl.** **12-16**

(52) **U.S. Cl.** **D12/209**

(58) **Field of Search** D12/204–213;
301/37.101, 64.101, 65

(56) **References Cited**

U.S. PATENT DOCUMENTS

D90,307 S * 7/1933 Davenport D12/209
D93,226 S * 9/1934 Hunt D12/209
D268,261 S * 3/1983 Boyer D12/211
D374,648 S * 10/1996 Pfeiffer D12/209
D393,239 S * 4/1998 Schmid D12/209
D396,681 S 8/1998 Boyer
D402,951 S 12/1998 Wechner
D407,055 S * 3/1999 Kelley D12/209
D414,454 S 9/1999 Chung
D415,094 S 10/1999 Neeper
D416,533 S 11/1999 Sulahian
D420,967 S 2/2000 Sacco et al.
D421,953 S 3/2000 Sims et al.
D432,071 S 10/2000 Brown
D437,278 S 2/2001 Sulahian
D441,708 S * 5/2001 Pfeiffer D12/211
D444,756 S 7/2001 Brintouch
D446,180 S 8/2001 Sulahian et al.
D446,493 S 8/2001 Sulahian et al.
D450,649 S 11/2001 Penzes
D451,067 S 11/2001 Frizzi
D451,462 S 12/2001 Donikoglu
D451,872 S 12/2001 Arellano
D455,697 S 4/2002 Chung
D464,010 S 10/2002 Chung

OTHER PUBLICATIONS

Page from website of wtcorp.com showing 6-Oval Wheel Rim, date unknown but believed to be available more than one year prior to Oct. 22, 2003.

U.S. Appl. No. 29/207,605, filed Jun. 2004, Sulahian.

U.S. Appl. No. 29/192,204, filed Oct. 2003, Sulahian.

U.S. Appl. No. 29/207,805, filed Jun. 2004, Sulahian.

Primary Examiner—Stacia Cadmus

(74) *Attorney, Agent, or Firm*—Nixon & Vanderhye P.C.

(57) **CLAIM**

The ornamental design for a front face of a vehicle wheel, as shown and described.

DESCRIPTION

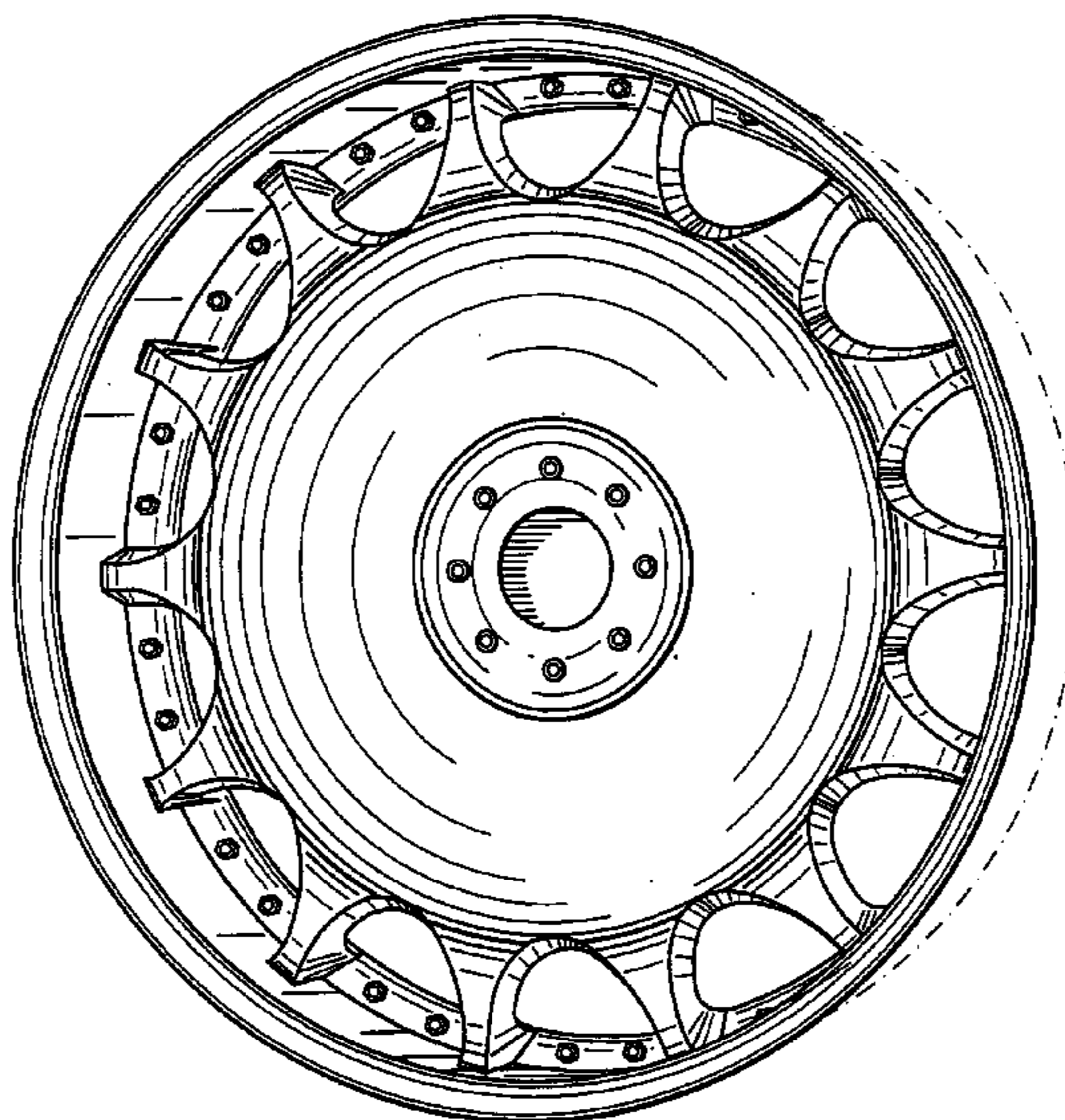
FIG. 1 is a front view of a front face of a vehicle wheel showing my new design;

FIG. 2 is a front and right side perspective view of the wheel shown in FIG. 1; and,

FIG. 3 is a different perspective view of the wheel shown in FIG. 1.

Throughout the various figures of the drawings, certain views are not provided. The omission of a particular view is intended to convey that the element(s) depicted is/are plain and unornamented in that omitted view, or that the particular ornamental appearance in that view is simply not claimed. Where included, broken lines showing environment or structure are for illustrative purposes only and form no part of the claimed design.

1 Claim, 3 Drawing Sheets



US D504,859 S

Page 2

U.S. PATENT DOCUMENTS

D472,864 S	4/2003	Kataoka	D479,178 S	9/2003	Lai	
D473,836 S	4/2003	Laengerer	D480,675 S	* 10/2003	Pfeiffer et al.	D12/211
D474,439 S	5/2003	McMath	D481,984 S	11/2003	Sulahian	
D477,558 S	7/2003	Brintouch	D482,309 S	11/2003	Sulahian	
D478,305 S	8/2003	Kern	D482,996 S	12/2003	Sulahian	
D478,540 S	8/2003	Sulahian	D487,717 S	* 3/2004	Lenz	D12/211
D478,541 S	8/2003	Sulahian	D493,764 S	8/2004	Sulahian	
D478,542 S	8/2003	Sulahian	D494,121 S	8/2004	Sulahian	
D479,172 S	9/2003	Sulahian	D495,648 S	* 9/2004	Kang	D12/209
D479,174 S	9/2003	McMath	D497,583 S	* 10/2004	Walbey, Jr.	D12/209

* cited by examiner

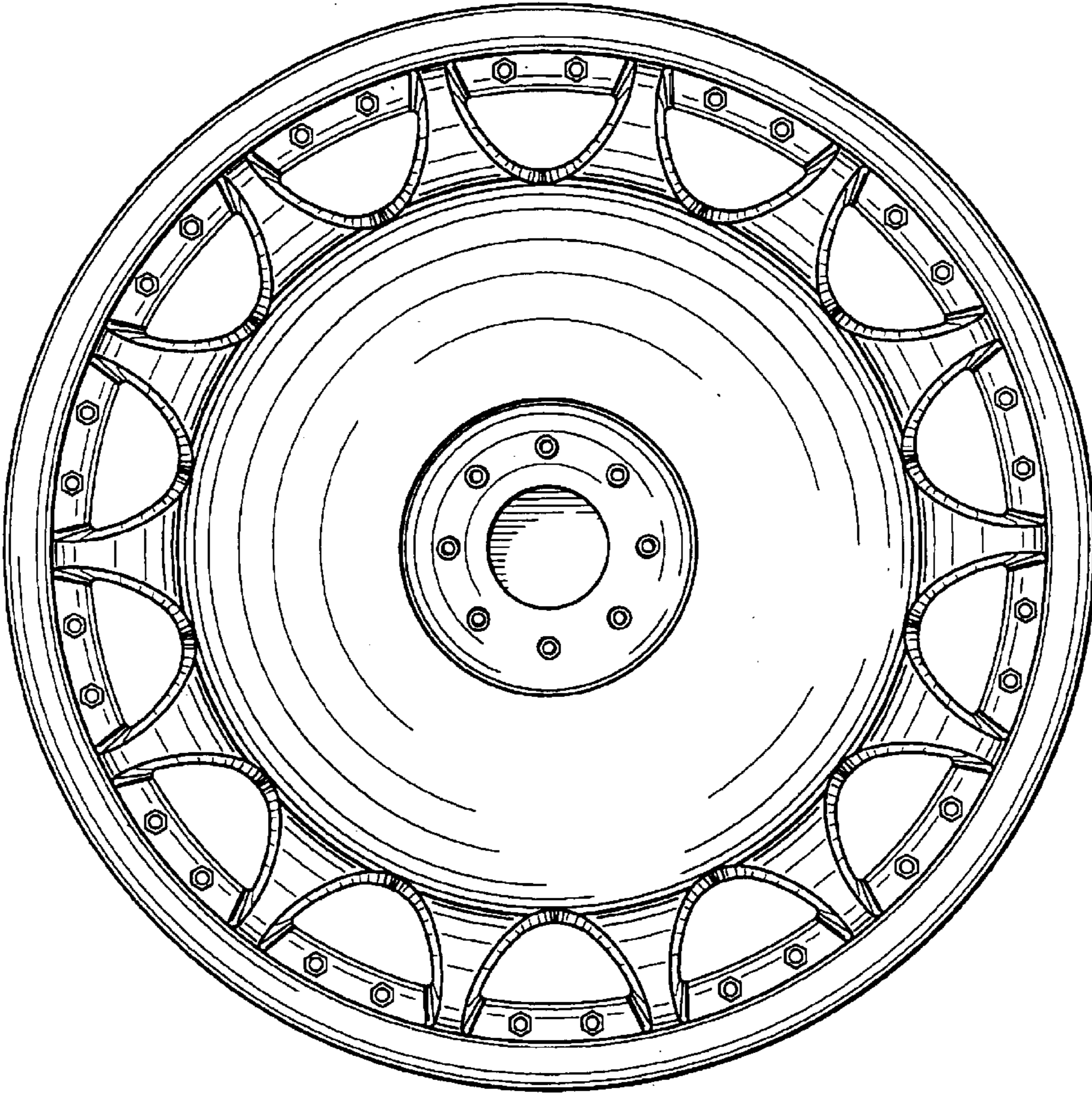


Fig. 1

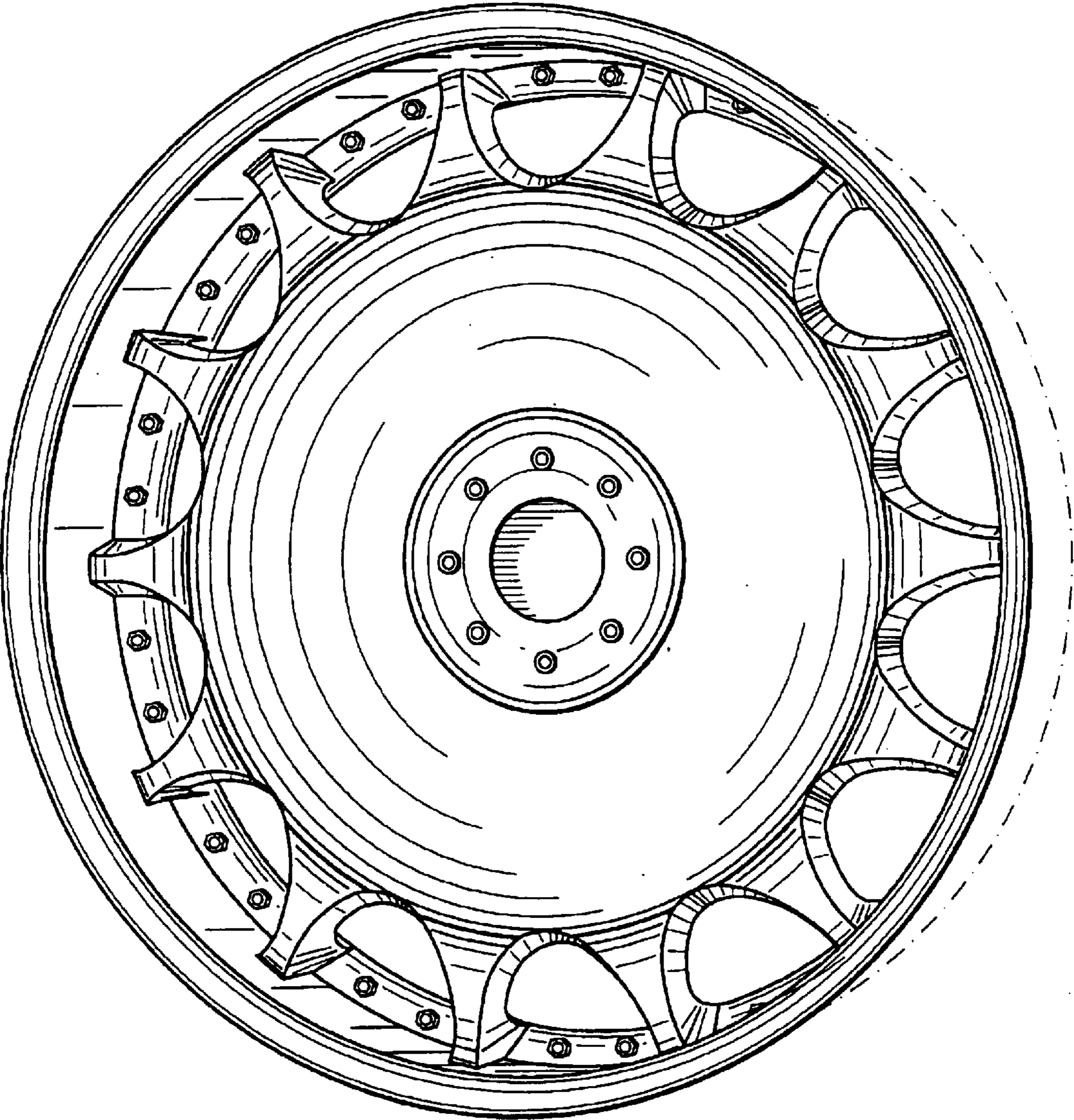


Fig. 2

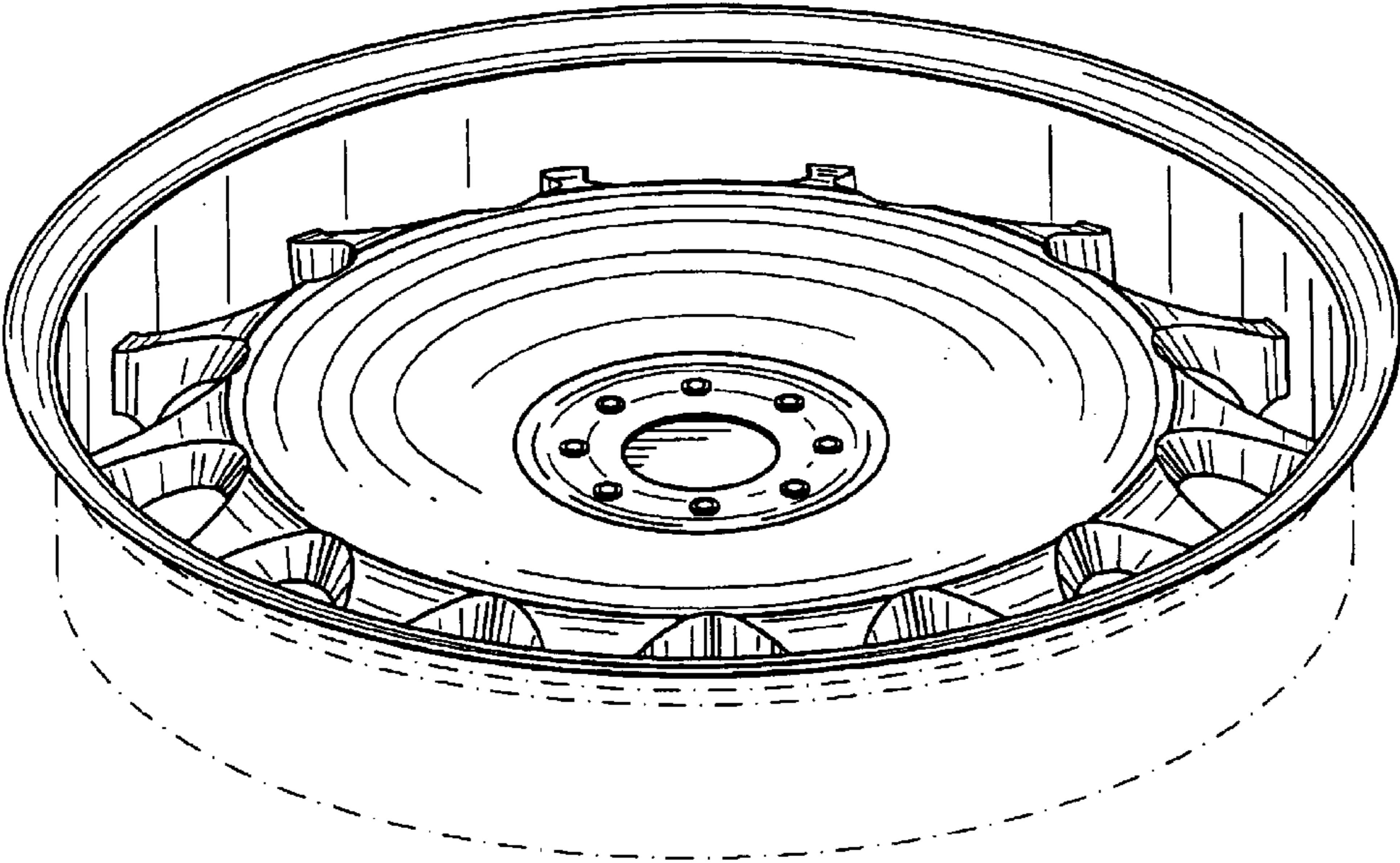


Fig. 3