

US00D504858S

(12) **United States Design Patent**
Pfeiffer

(10) **Patent No.:** **US D504,858 S**

(45) **Date of Patent:** **** May 10, 2005**

(54) **FRONT FACE OF A VEHICLE WHEEL**

(75) **Inventor:** **Peter Pfeiffer**, Boeblingen (DE)

(73) **Assignee:** **DaimlerChrysler AG**, Stuttgart (DE)

(**) **Term:** **14 Years**

(21) **Appl. No.:** **29/189,866**

(22) **Filed:** **Sep. 12, 2003**

(30) **Foreign Application Priority Data**

Mar. 14, 2003 (DE) 4 03 02 100

(51) **LOC (7) Cl.** **12-16**

(52) **U.S. Cl.** **D12/209**

(58) **Field of Search** D12/204-213;
301/37.101, 64.101, 65

(56) **References Cited**

U.S. PATENT DOCUMENTS

D402,252 S	*	12/1998	Kulla	D12/211
D412,693 S	*	8/1999	Kulla	D12/211
D432,068 S	*	10/2000	Fitzgerald	D12/209
D442,905 S	*	5/2001	Herrera	D12/209
D448,711 S	*	10/2001	Pusdesris	D12/209
D461,754 S	*	8/2002	Hoshino	D12/209

D466,852 S	*	12/2002	Pfeiffer et al.	D12/211
D480,672 S	*	10/2003	Pfeiffer et al.	D12/209
D487,043 S	*	2/2004	McMath	D12/209
D491,123 S	*	6/2004	Lai	D12/209
D493,405 S	*	7/2004	Boyer	D12/211

* cited by examiner

Primary Examiner—Stacia Cadmus

(74) *Attorney, Agent, or Firm*—Crowell & Moring LLP

(57) **CLAIM**

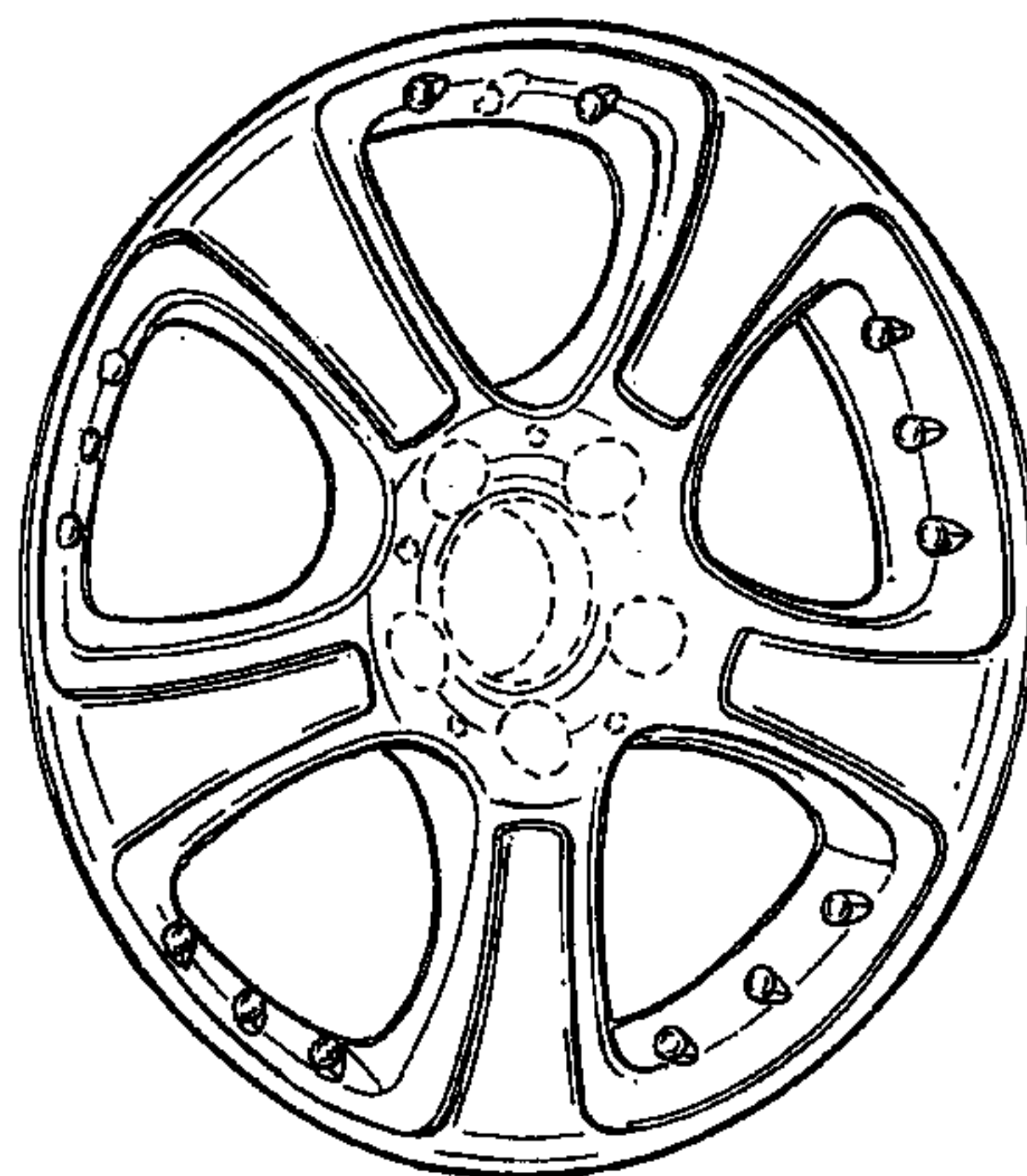
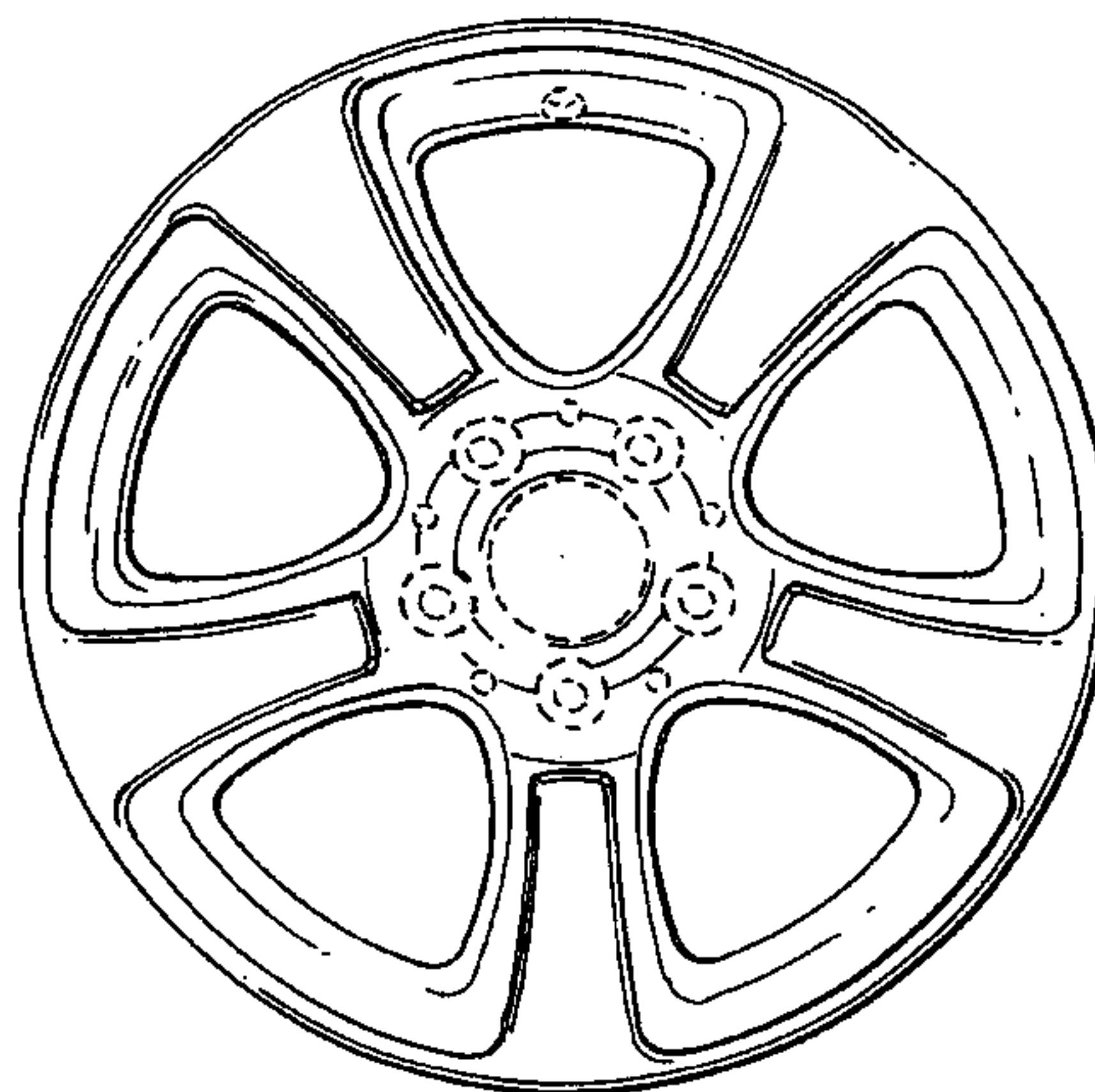
The ornamental design for a front face of a vehicle wheel, as shown and described.

DESCRIPTION

FIG. 1 is a front view of a first embodiment of a front face of a vehicle wheel according to my novel design; FIG. 2 is a perspective view of the first embodiment of the front face of a vehicle wheel according to my novel design; FIG. 3 is a front view of a second embodiment of the front face of a vehicle wheel according to my novel design; and, FIG. 4 is a perspective view of the second embodiment of the front face of a vehicle wheel according to my novel design.

The broken lines are for illustrative purposes only and form no part of the claimed design.

1 Claim, 2 Drawing Sheets



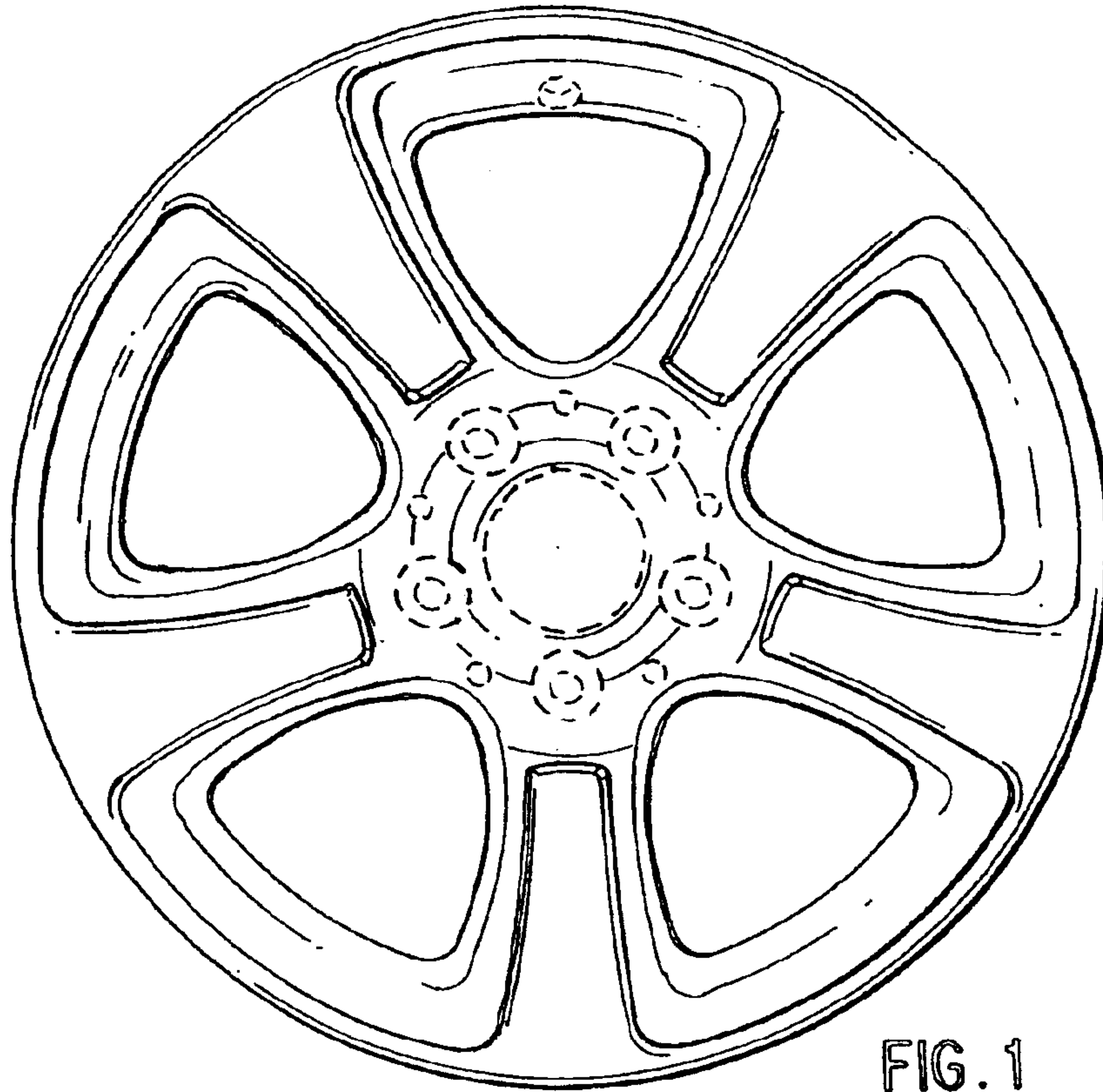


FIG. 1

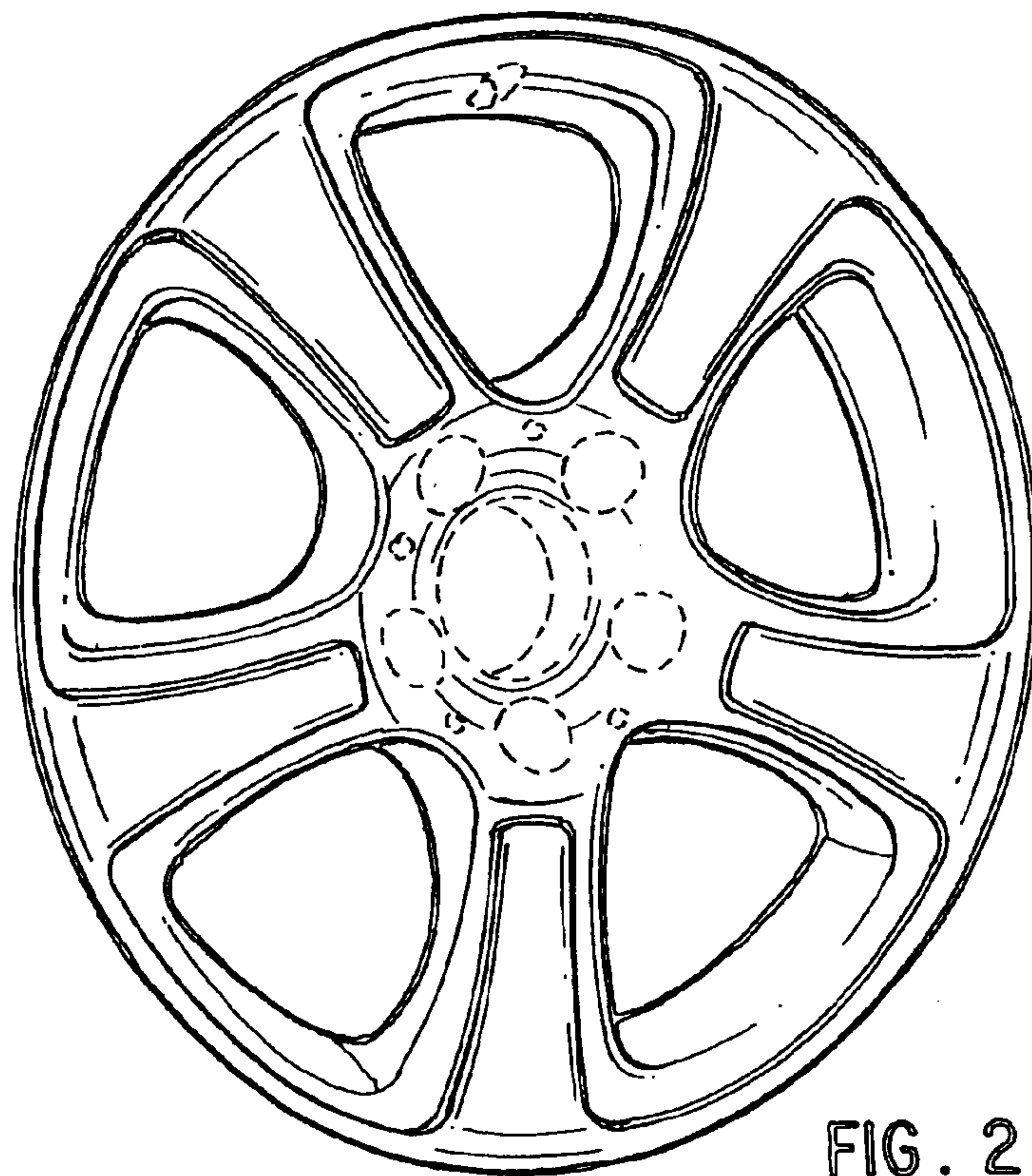


FIG. 2

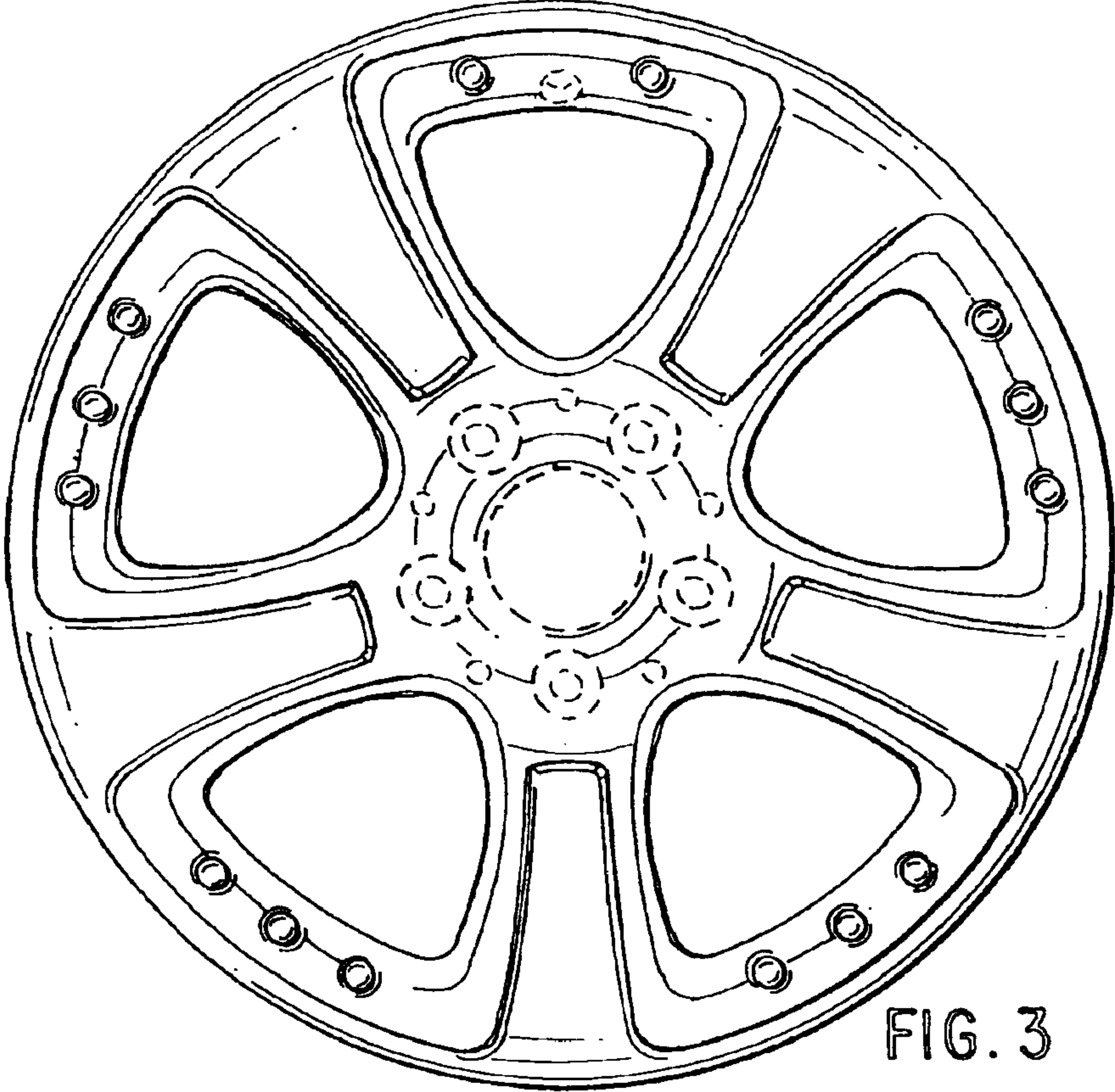


FIG. 3

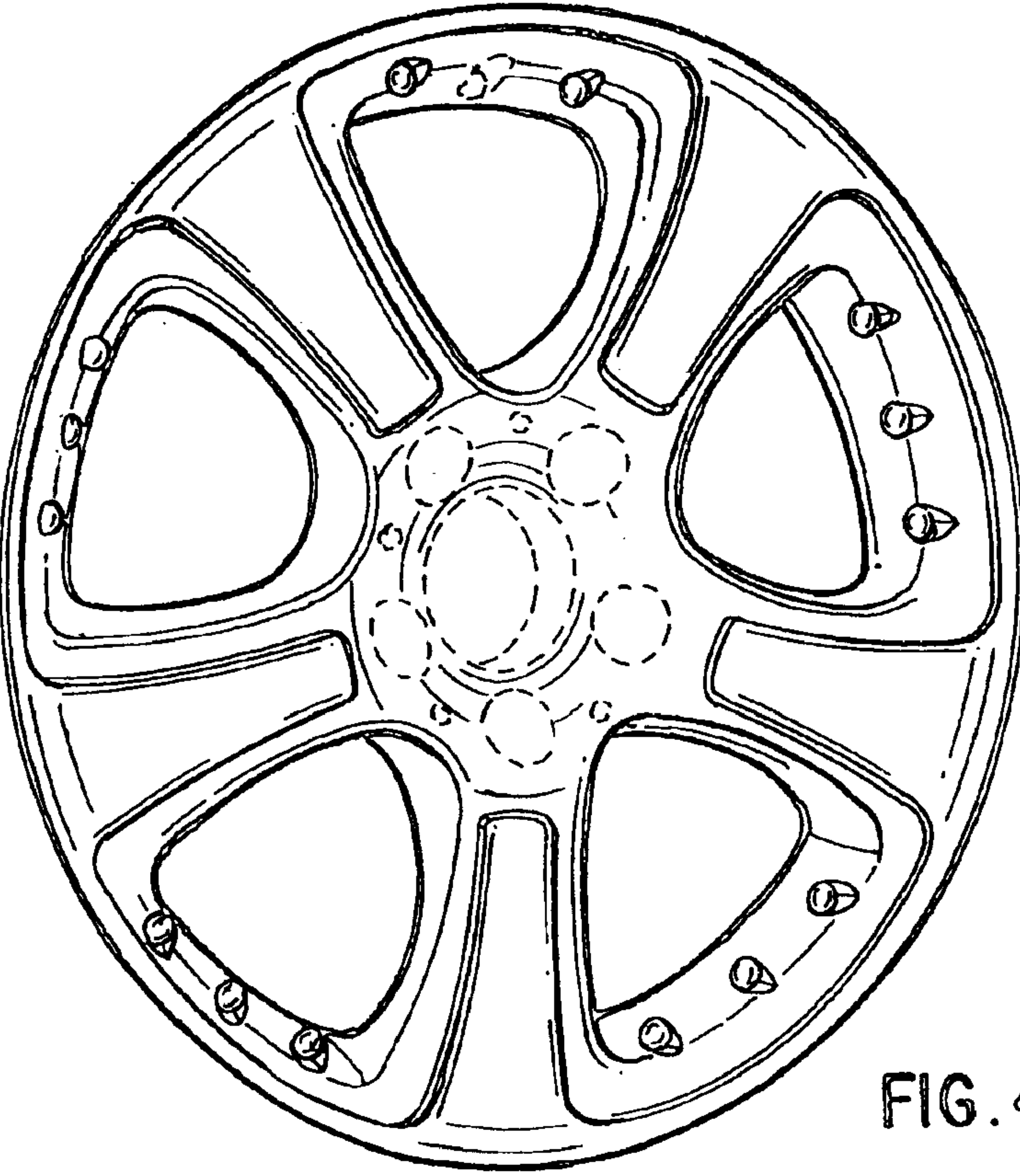


FIG. 4