

US00D504857S

(12) **United States Design Patent**
Yang

(10) **Patent No.:** **US D504,857 S**

(45) **Date of Patent:** **** May 10, 2005**

(54) **RUNNING BOARD**

(76) **Inventor:** **Chang-An Yang**, P.O. Box 82-144,
Taipei County (TW)

(**) **Term:** **14 Years**

(21) **Appl. No.:** **29/211,632**

(22) **Filed:** **Aug. 19, 2004**

(51) **LOC (7) Cl.** **12-16**

(52) **U.S. Cl.** **D12/203**

(58) **Field of Search** D12/230, 190;
280/163, 164.1, 848, 607, 153.5; D25/69;
182/90-92; 428/81-82; 180/182-185, 190-133;
238/14

(56) **References Cited**

U.S. PATENT DOCUMENTS

D53,737 S	*	8/1919	Hayne	D12/190
D82,547 S	*	11/1930	Earl	D12/203
D247,893 S	*	5/1978	Okland	D12/203
D249,501 S	*	9/1978	Chapman	D12/203
D256,618 S	*	8/1980	Klein	D25/69
D284,752 S	*	7/1986	Horton, Jr.	D12/203
D349,678 S	*	8/1994	Waddington et al.	D12/203

D364,597 S	*	11/1995	Branch	D12/203
D395,268 S	*	6/1998	Tucker	D12/203
D398,272 S	*	9/1998	Graneto, III	D12/203
D456,747 S	*	5/2002	Louie	D12/203
D473,178 S	*	4/2003	Schumacher	D12/203
D491,863 S	*	6/2004	Weber	D12/203

* cited by examiner

Primary Examiner—Stacia Cadmus

(74) *Attorney, Agent, or Firm*—Leong C. Lei

(57) **CLAIM**

The ornamental design for a running board, as shown and described.

DESCRIPTION

FIG. 1 is a perspective view of a running board showing my new design;

FIG. 2 is a front side elevation view thereof;

FIG. 3 is a rear side elevation view thereof;

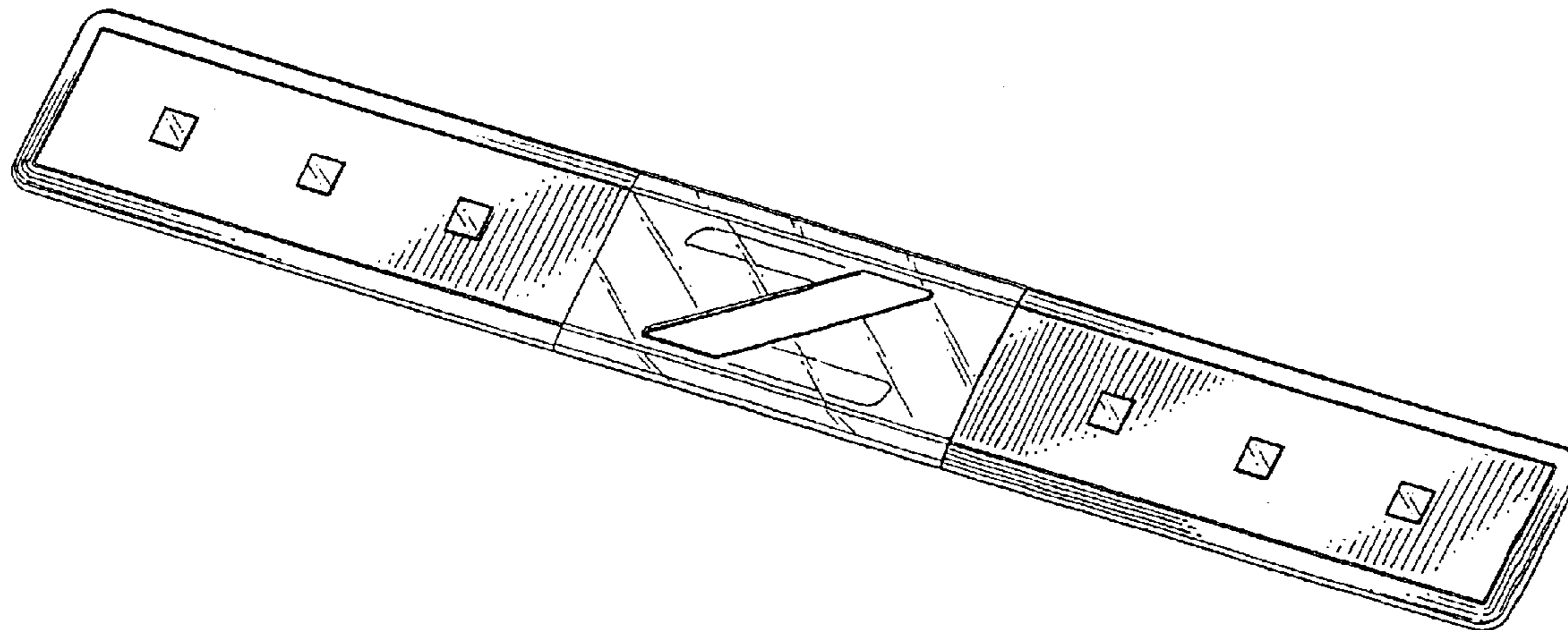
FIG. 4 is a left side elevation view thereof;

FIG. 5 is a right side elevation view thereof;

FIG. 6 is a top plan view thereof; and,

FIG. 7 is a bottom plan view thereof.

1 Claim, 3 Drawing Sheets



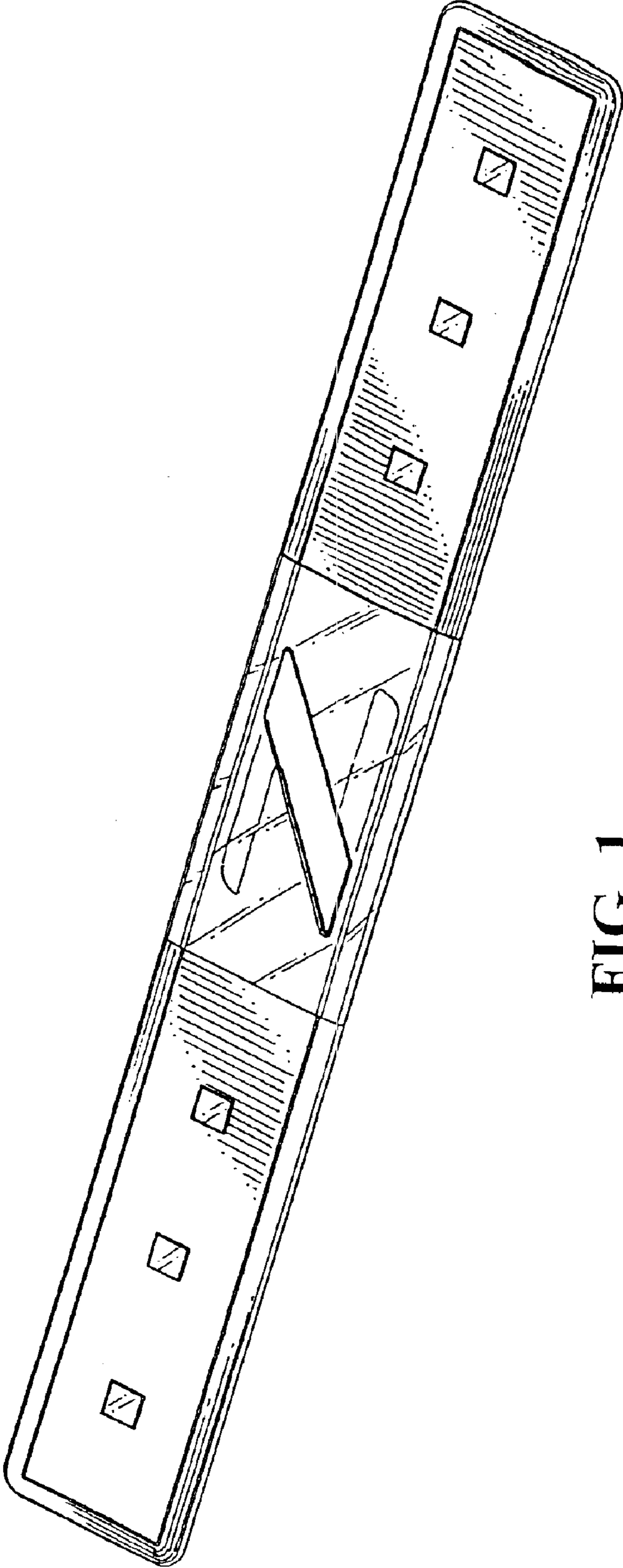


FIG. 1

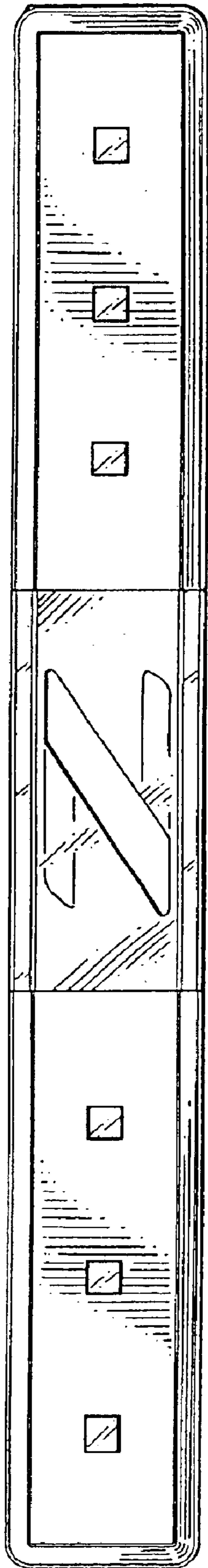


FIG. 2

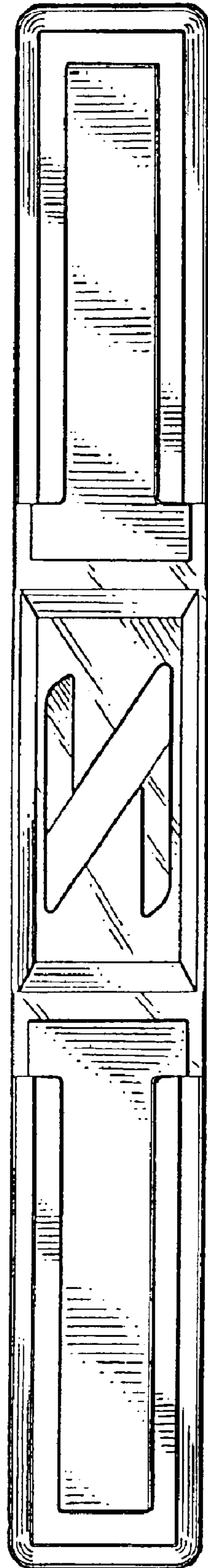


FIG. 3



FIG. 6



FIG. 7



FIG. 4

FIG. 5