

US00D504855S

(12) **United States Design Patent**  
**Chao**

(10) **Patent No.:** **US D504,855 S**

(45) **Date of Patent:** **\*\* May 10, 2005**

(54) **INSTRUMENT PANEL**

(76) **Inventor:** **Lance Chao**, 7F, No. 140-1, Jin Hua Street, Taipei (TW)

(\*\*) **Term:** **14 Years**

(21) **Appl. No.:** **29/212,133**

(22) **Filed:** **Aug. 27, 2004**

(51) **LOC (7) Cl.** ..... **12-16**

(52) **U.S. Cl.** ..... **D12/192**

(58) **Field of Search** ..... D12/192; 180/90;  
280/750-752; 296/190-191, 70; D10/46,  
102, 98, 122-127

(56) **References Cited**

**U.S. PATENT DOCUMENTS**

D54,138 S	*	11/1919	Smith	.....	D12/192
D73,347 S	*	8/1927	Smith	.....	D12/192
D74,057 S	*	12/1927	Knapp	.....	D12/192
D77,236 S	*	12/1928	Jacobi	.....	D12/192
D276,715 S	*	12/1984	Morioka et al.	.....	D12/192
D413,294 S	*	8/1999	Lagaay	.....	D12/192
D440,925 S	*	4/2001	Pfeiffer	.....	D12/192

D450,023 S	*	11/2001	Rayburn	.....	D12/192
D470,090 S	*	2/2003	Sawabe	.....	D12/192
D489,302 S	*	5/2004	Tuzar	.....	D12/192
D490,759 S	*	6/2004	Iohara	.....	D12/192
D494,905 S	*	8/2004	Kraus et al.	.....	D12/192

\* cited by examiner

*Primary Examiner*—Stacia Cadmus

(74) *Attorney, Agent, or Firm*—Rosenberg, Klein & Lee

(57) **CLAIM**

The ornamental design of an instrument panel, as shown and described.

**DESCRIPTION**

FIG. 1 is a perspective view of the instrument panel in accordance with the design;

FIG. 2 is a front elevation view thereof;

FIG. 3 is a rear elevation view thereof;

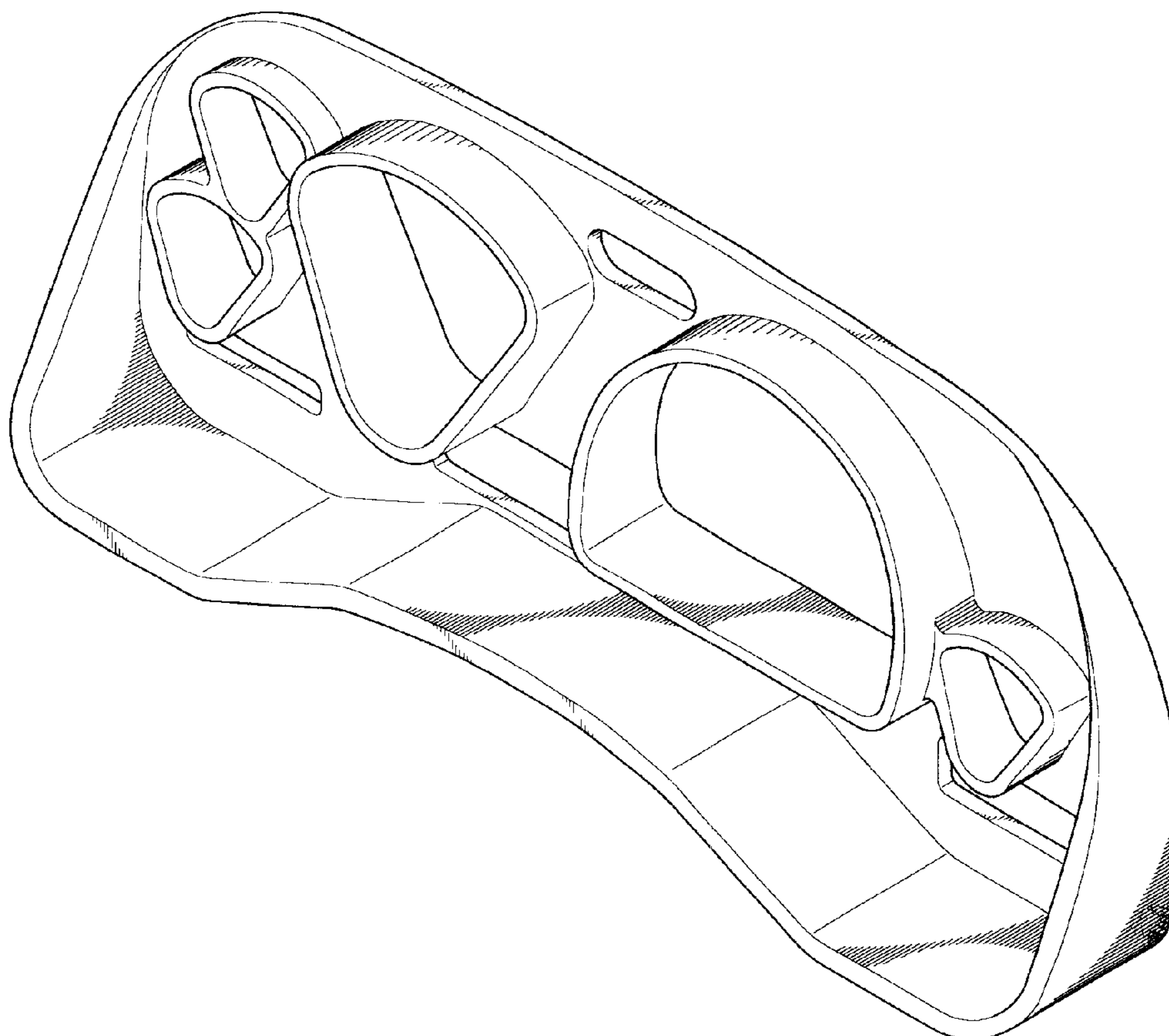
FIG. 4 is a left side elevation view thereof;

FIG. 5 is a right side elevation view thereof;

FIG. 6 is a top plan view thereof; and,

FIG. 7 is a bottom plan view thereof.

**1 Claim, 4 Drawing Sheets**



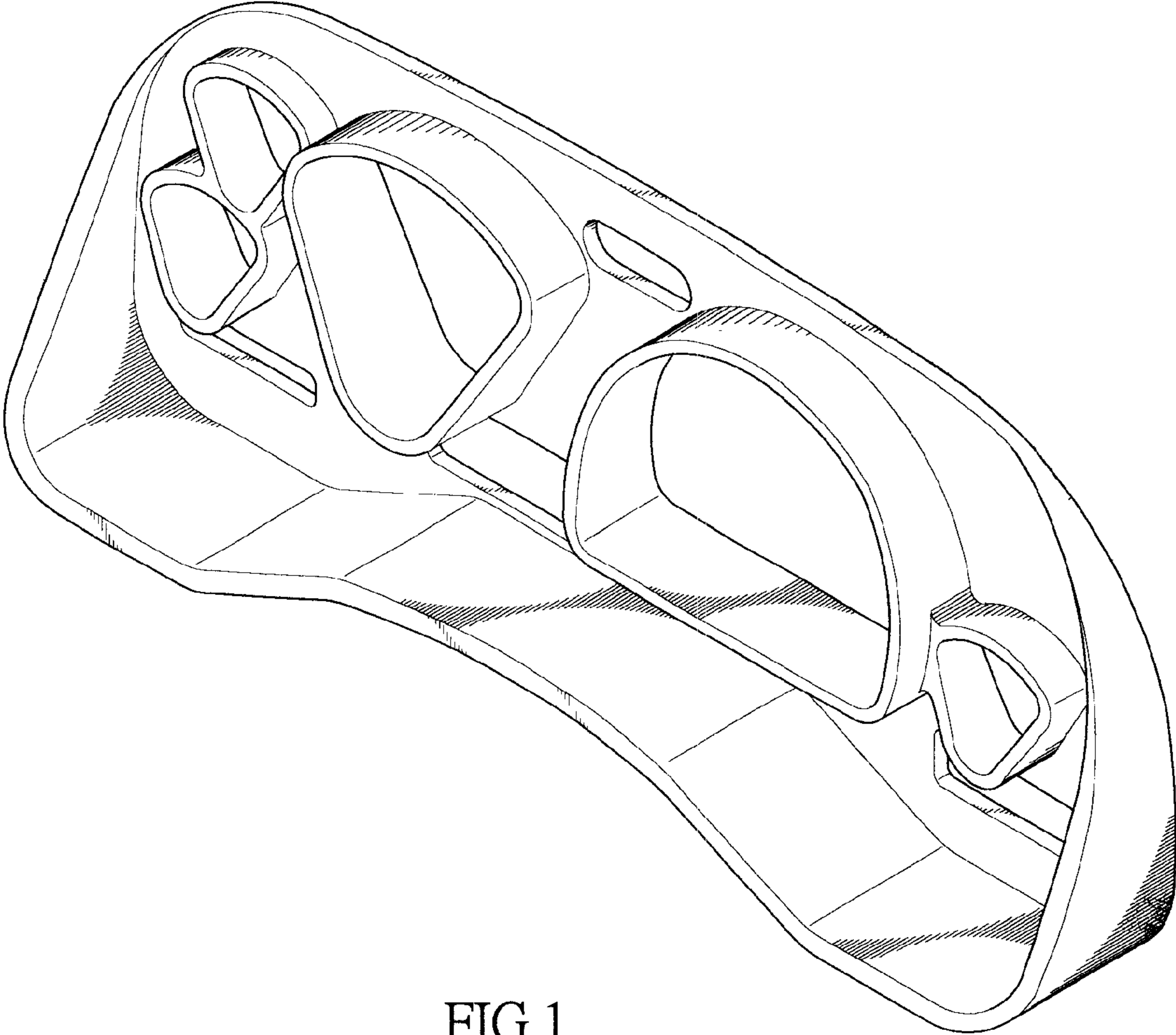


FIG.1

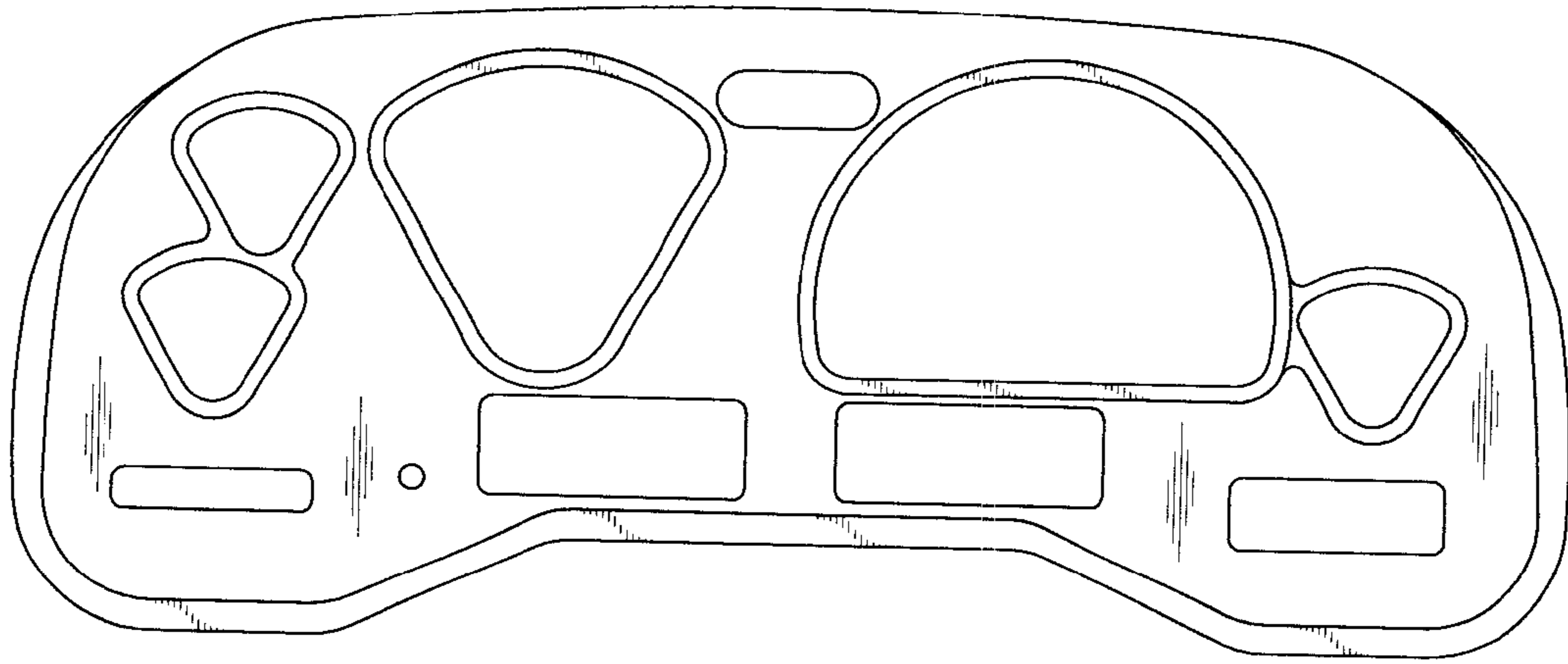


FIG.2

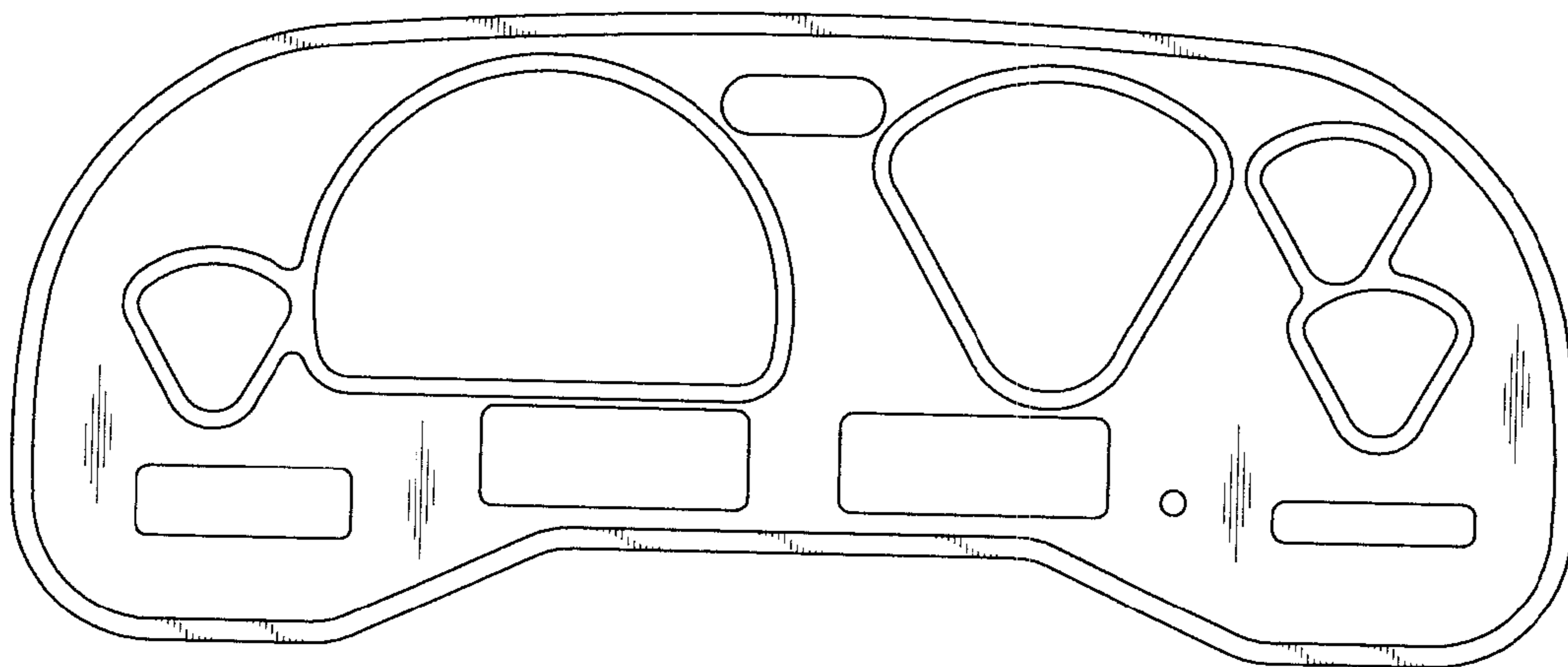


FIG.3

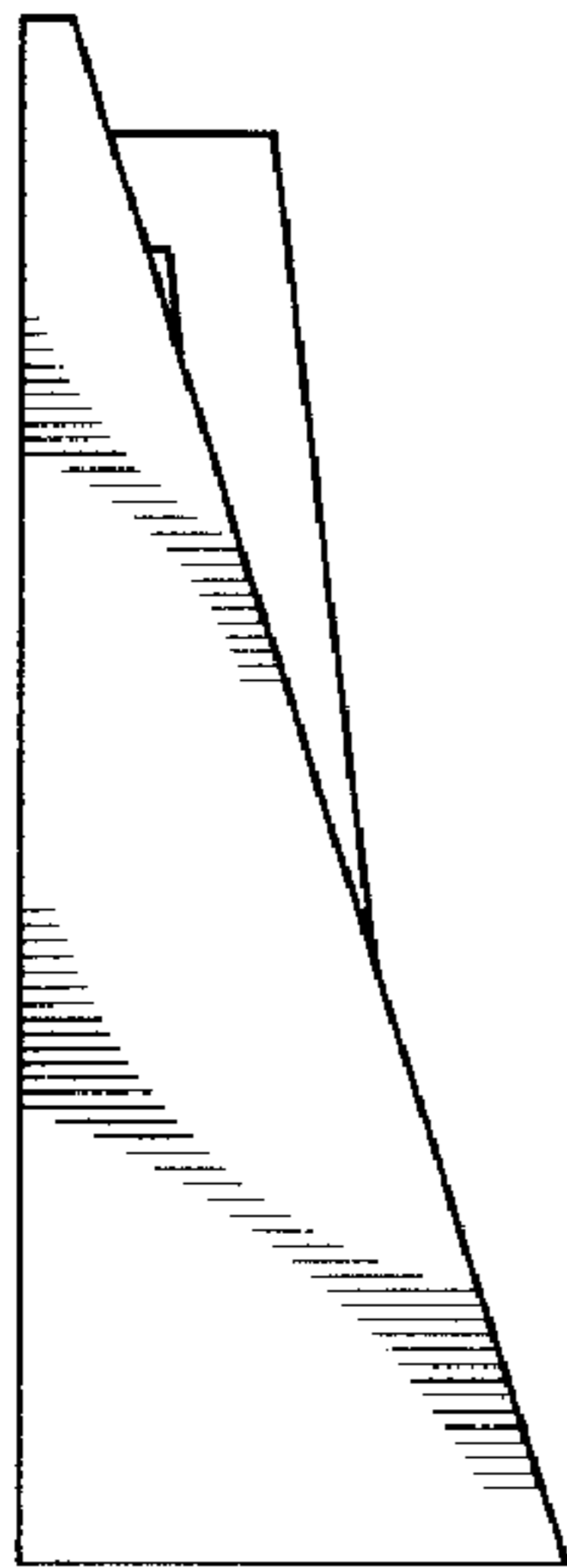


FIG. 4

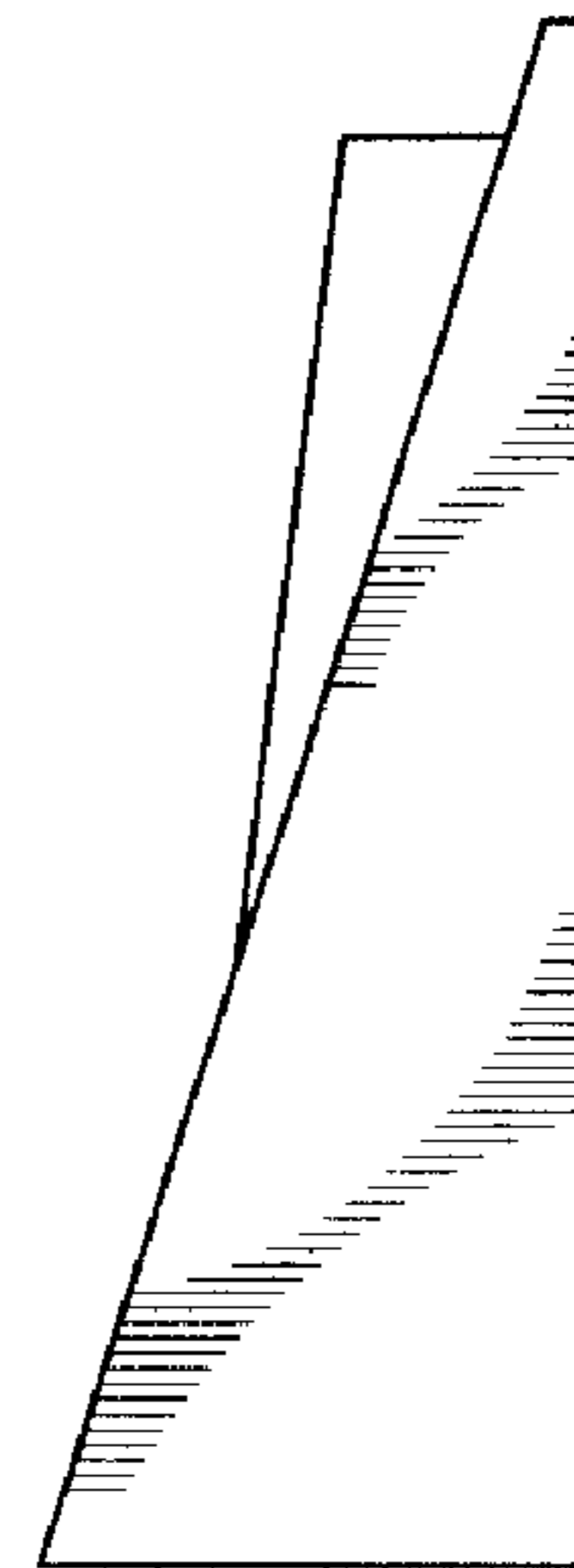


FIG. 5

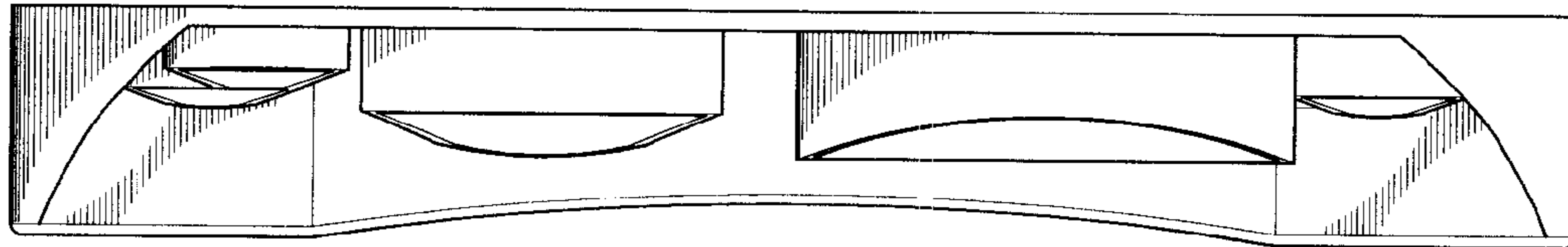


FIG. 6

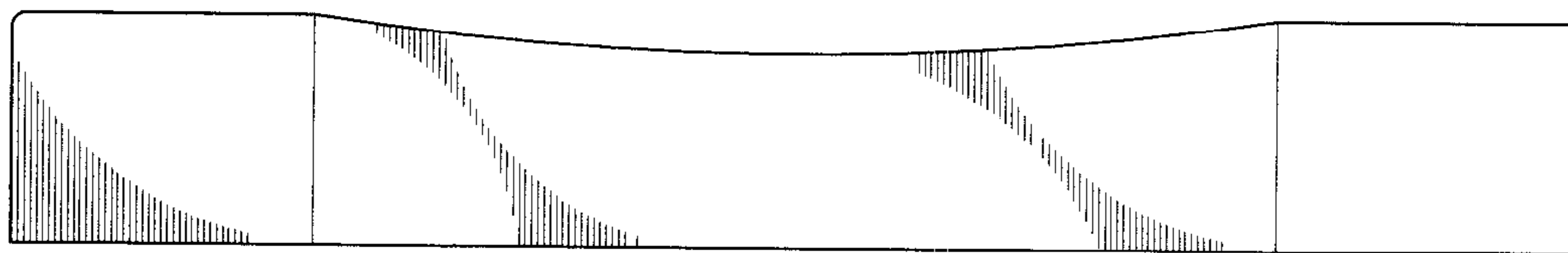


FIG. 7