



US00D504852S

(12) **United States Design Patent** (10) **Patent No.:** **US D504,852 S**
Kubota (45) **Date of Patent:** **** May 10, 2005**

(54) **AUTOMOBILE BUMPER**

(75) Inventor: **Akira Kubota**, Aichi-ken (JP)

(73) Assignee: **Toyota Jidosha Kabushiki Kaisha**,
Aichi-ken (JP)

(**) Term: **14 Years**

(21) Appl. No.: **29/200,716**

(22) Filed: **Mar. 4, 2004**

(30) **Foreign Application Priority Data**

Nov. 21, 2003 (JP) 2003-034816

(51) **LOC (7) Cl.** **12-16**

(52) **U.S. Cl.** **D12/169**

(58) **Field of Search** D12/90-92, 86,
D12/169, 196; 296/180.1, 180.2; 293/102,
113, 115, 117, 120

(56) **References Cited**

U.S. PATENT DOCUMENTS

D462,640 S	*	9/2002	Sakae	D12/169
D463,334 S	*	9/2002	Koman	D12/169
D473,499 S	*	4/2003	Tanabe et al.	D12/169
D473,500 S		4/2003	Okumoto et al.	D12/169
D474,720 S	*	5/2003	Tachibana et al.	D12/169
D483,706 S	*	12/2003	Kato	D12/169
D484,443 S	*	12/2003	Hattori	D12/169
D491,497 S	*	6/2004	Sasaki et al.	D12/169
D497,124 S	*	10/2004	Platto et al.	D12/169
D497,580 S	*	10/2004	Aikawa	D12/169

OTHER PUBLICATIONS

Brochure of RAVA 4 J (Mfg. Toyota Jidosha Kabushiki Kaisha), Aug. 2003.

Automotive Guidebook of Japan, vol. 48., "Grand Escudo," (Mfg.—Suzuki Motor Corp.), Oct. 24, 2001, pp. 132 and 297.

* cited by examiner

Primary Examiner—Melody N. Brown

(74) *Attorney, Agent, or Firm*—Finnegan, Henderson, Farabow, Garrett & Dunner, LLP

(57) **CLAIM**

The ornamental design for an automobile bumper, as shown and described.

DESCRIPTION

FIG. 1 is a left-front, perspective view of an automobile bumper of my new design;

FIG. 2 is a front view of my new design;

FIG. 3 is a rear view of my new design;

FIG. 4 is a top view of my new design;

FIG. 5 is a bottom view of my new design;

FIG. 6 is a left-side view of my new design, the right-side view being a mirror image thereof;

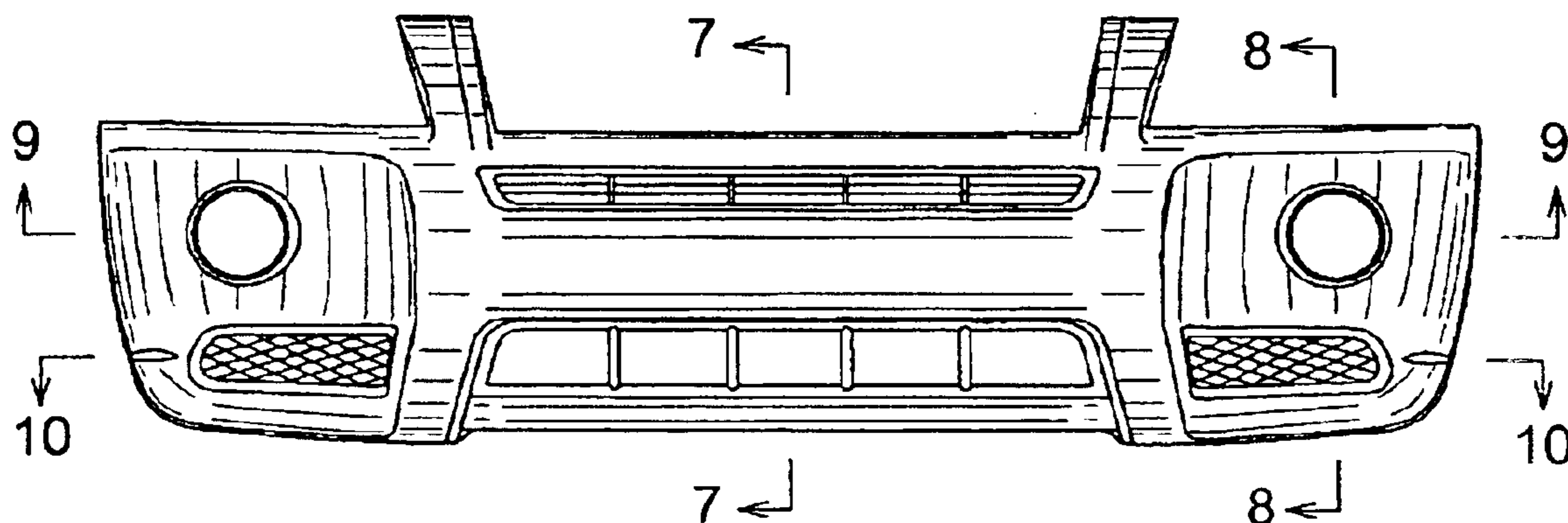
FIG. 7 is a cross-sectional view of my new design taken along line 7—7 in FIG. 2, showing the profile of that portion of the design;

FIG. 8 is a cross-sectional view of my new design taken along line 8—8 in FIG. 2, showing the profile of that portion of the design;

FIG. 9 is a cross-sectional view of my new design taken along line 9—9 in FIG. 2, showing the profile of that portion of the design; and,

FIG. 10 is a cross-sectional view of my new design taken along the 10—10 in FIG. 2 showing the profile of that portion of the design.

1 Claim, 5 Drawing Sheets



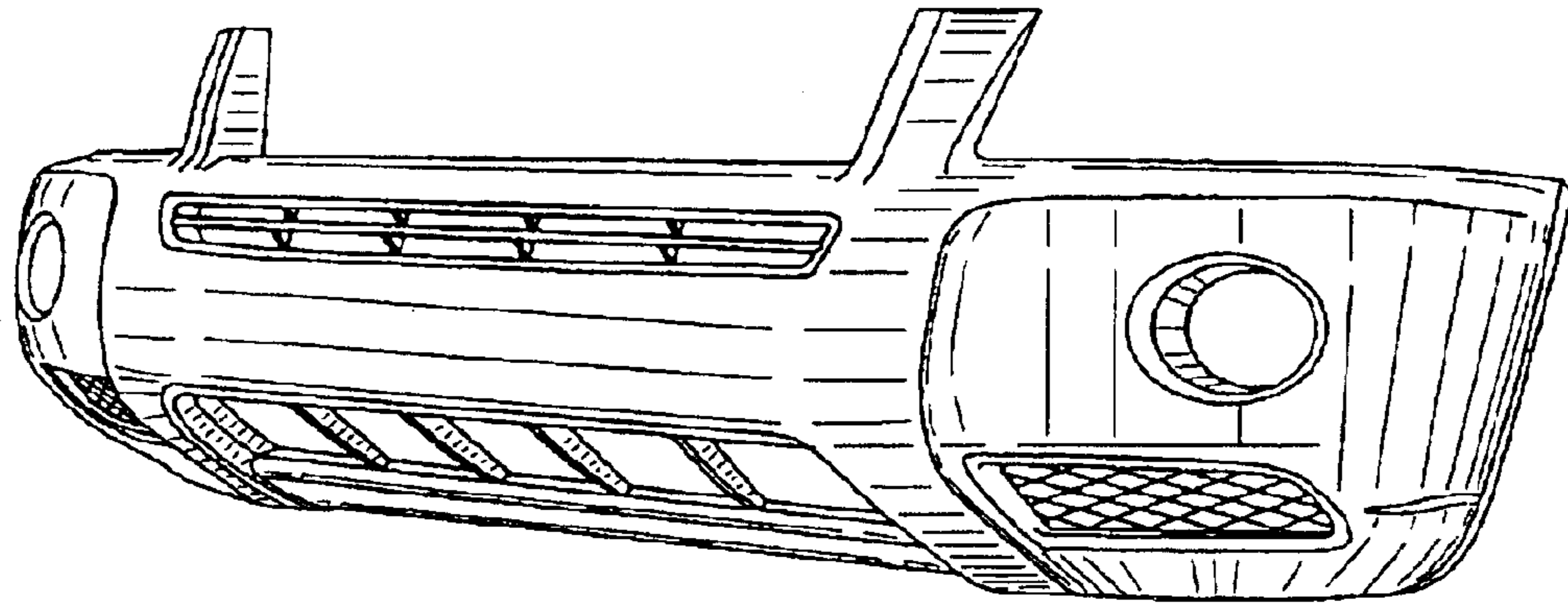


FIG. 1

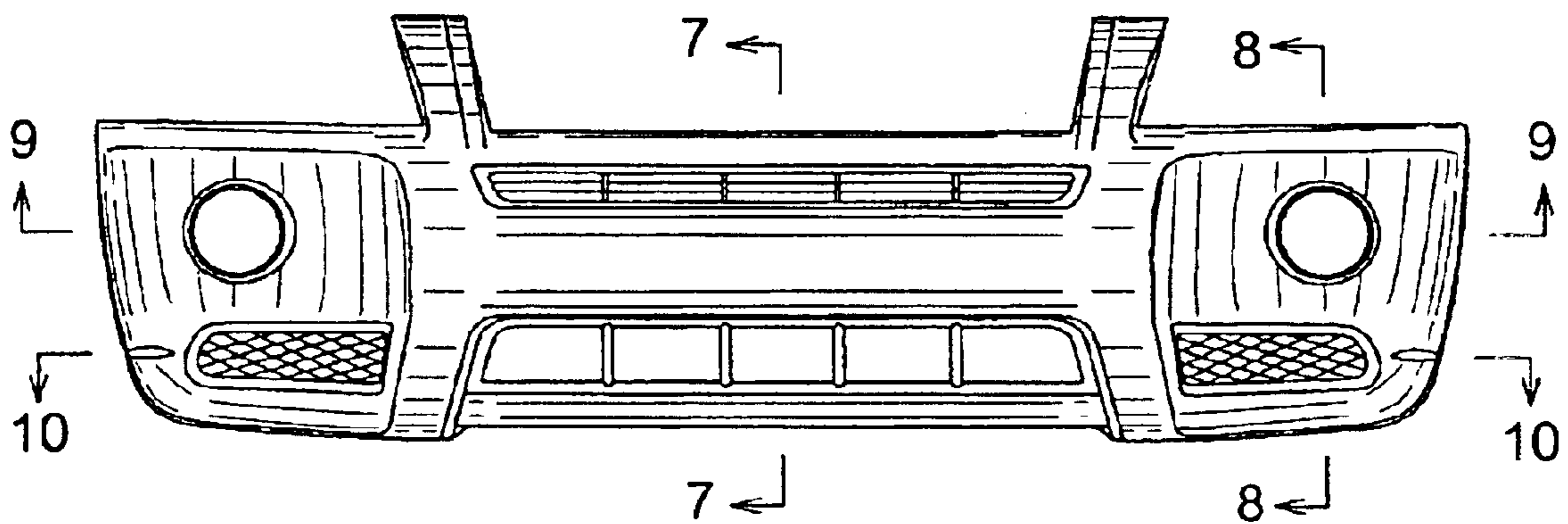


FIG. 2

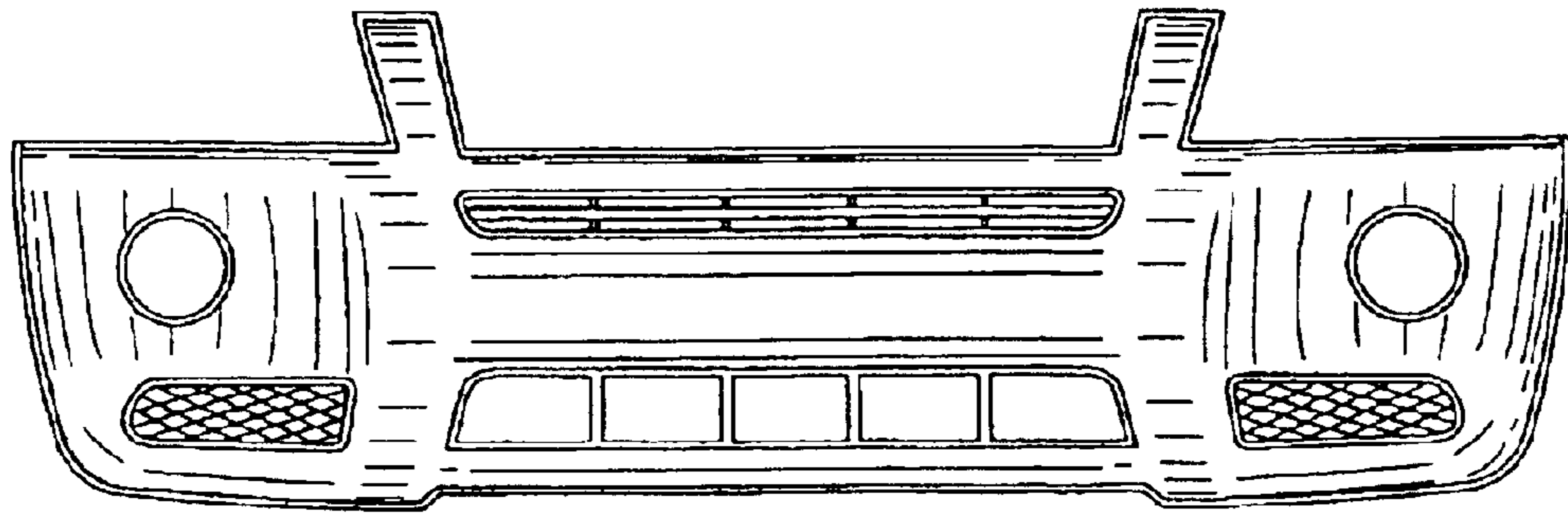


FIG. 3

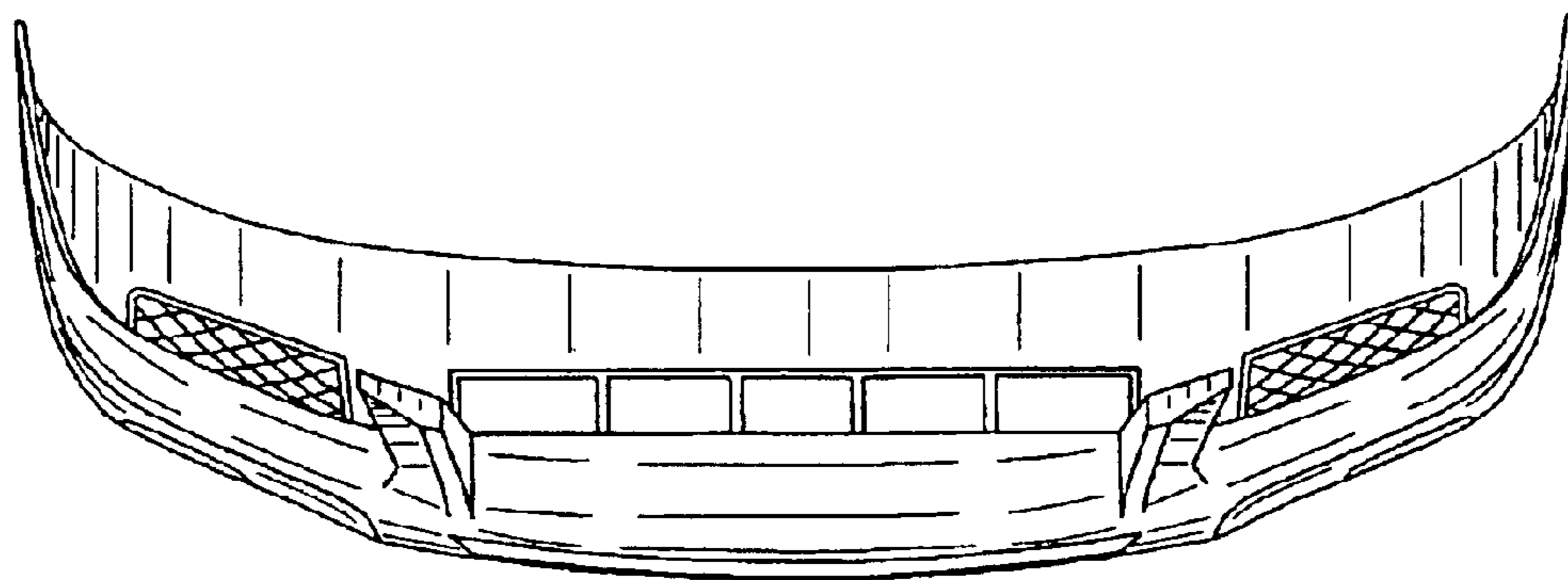


FIG. 4

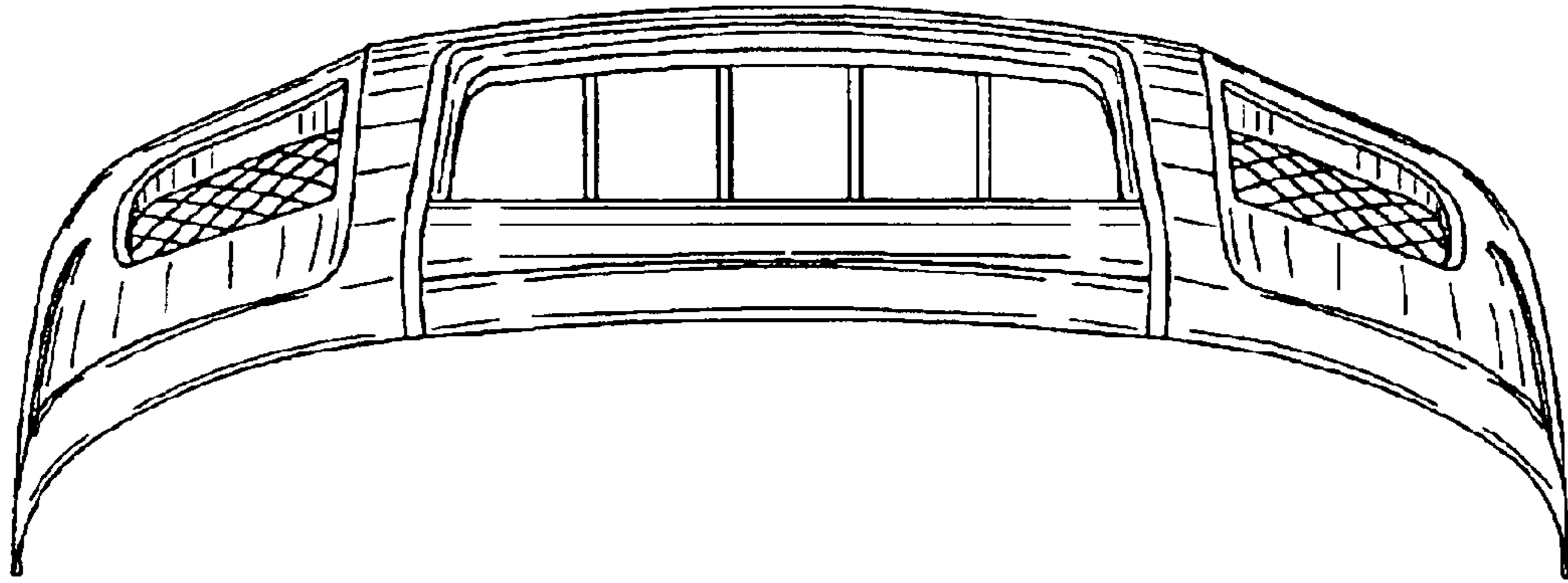


FIG. 5

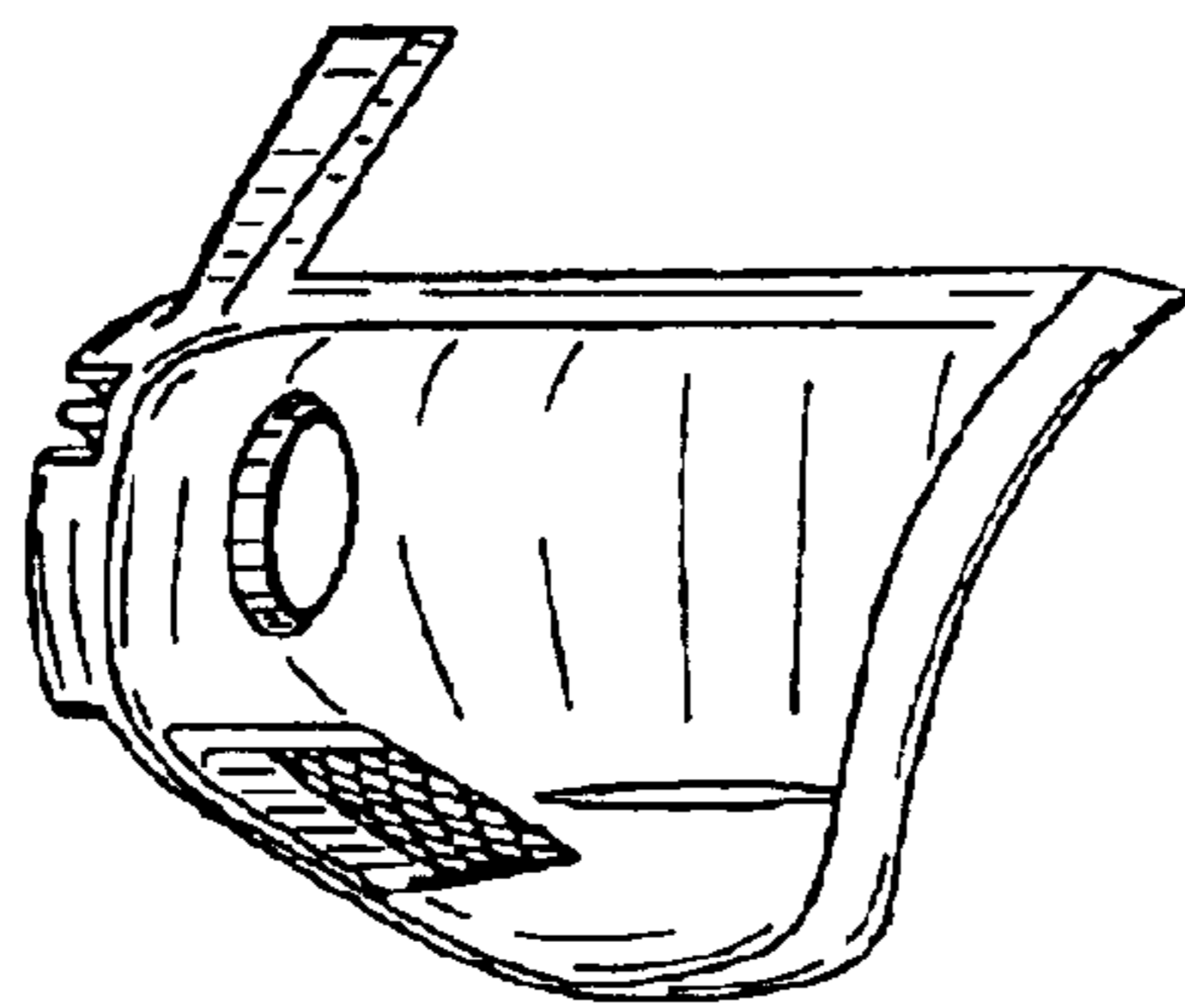


FIG. 6

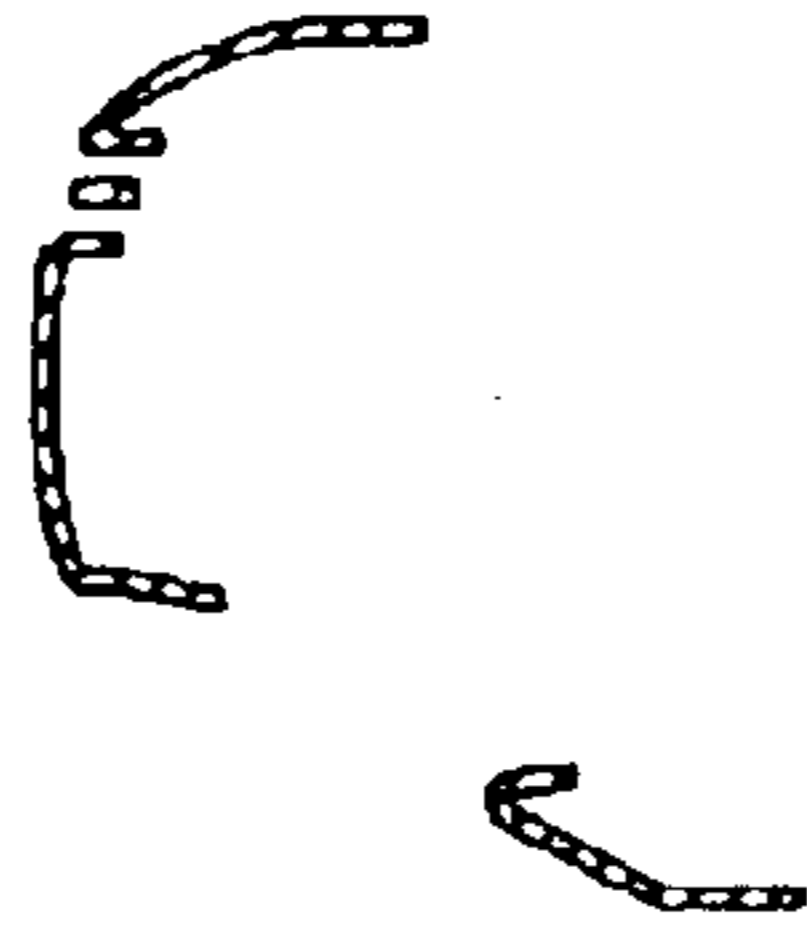


FIG. 7

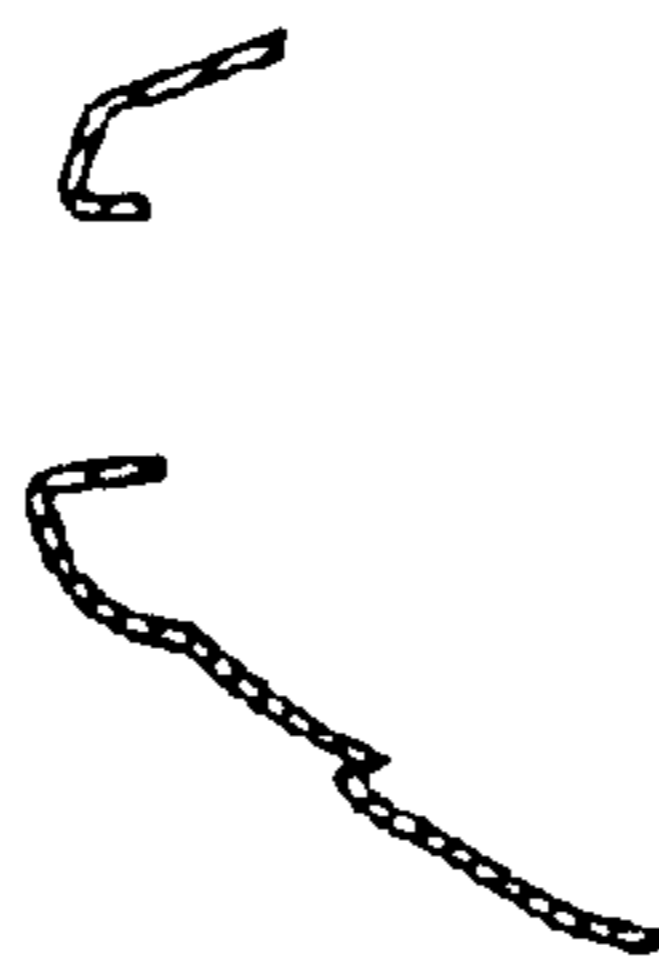


FIG. 8

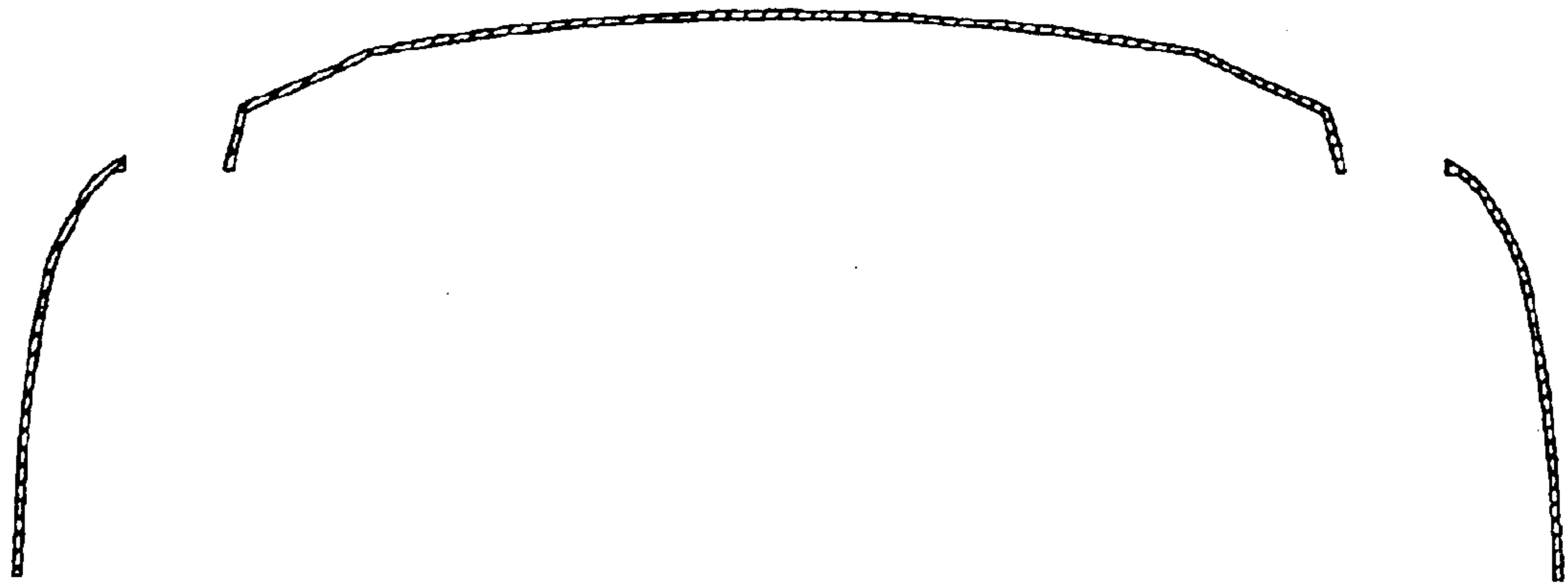


FIG. 9

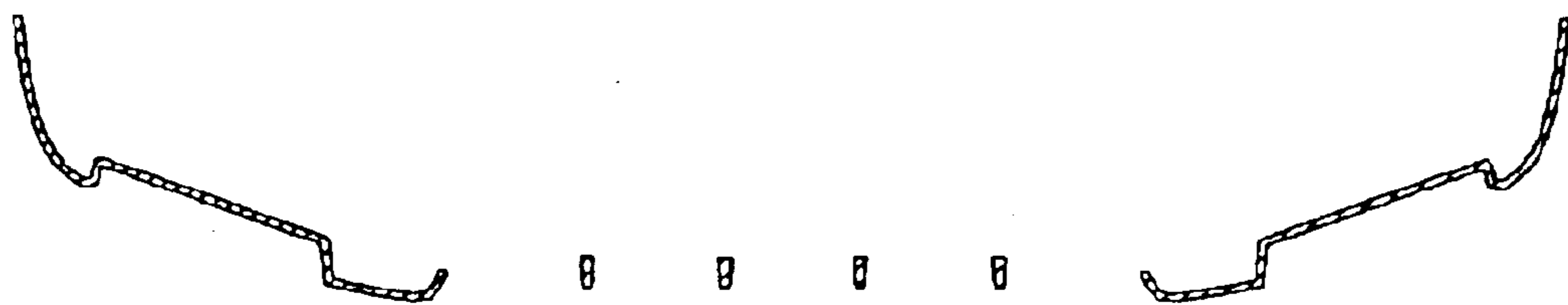


FIG. 10