

US00D504850S

(12) **United States Design Patent**  
**Gunter et al.**

(10) **Patent No.:** **US D504,850 S**

(45) **Date of Patent:** **\*\* May 10, 2005**

(54) **BUMPER FOR A TRUCK VEHICLE**

(75) Inventors: **Douglas K. Gunter**, Denton, TX (US);  
**Louis D. Heilaneh**, Lewisville, TX  
(US)

(73) Assignee: **Paccar Inc.**, Bellevue, WA (US)

(\*\*) Term: **14 Years**

(21) Appl. No.: **29/198,479**

(22) Filed: **Jan. 30, 2004**

(51) **LOC (7) Cl.** ..... **12-16**

(52) **U.S. Cl.** ..... **D12/169**

(58) **Field of Search** ..... D12/90-92, 86,  
D12/169, 196; 296/180.1, 180.2; 293/102,  
113, 115, 117, 120

(56) **References Cited**

**U.S. PATENT DOCUMENTS**

- D445,073 S \* 7/2001 Tirey et al. .... D12/169
- D458,565 S \* 6/2002 Maher et al. .... D12/169
- D460,030 S \* 7/2002 Duckett et al. .... D12/169
- D476,929 S \* 7/2003 Dozier et al. .... D12/169

- D482,302 S \* 11/2003 Dozier et al. .... D12/169
- D483,707 S \* 12/2003 Satou ..... D12/169
- D497,335 S \* 10/2004 Bird et al. .... D12/169

\* cited by examiner

*Primary Examiner*—Melody N. Brown

(74) *Attorney, Agent, or Firm*—Sidley Austin Brown & Wood LLP

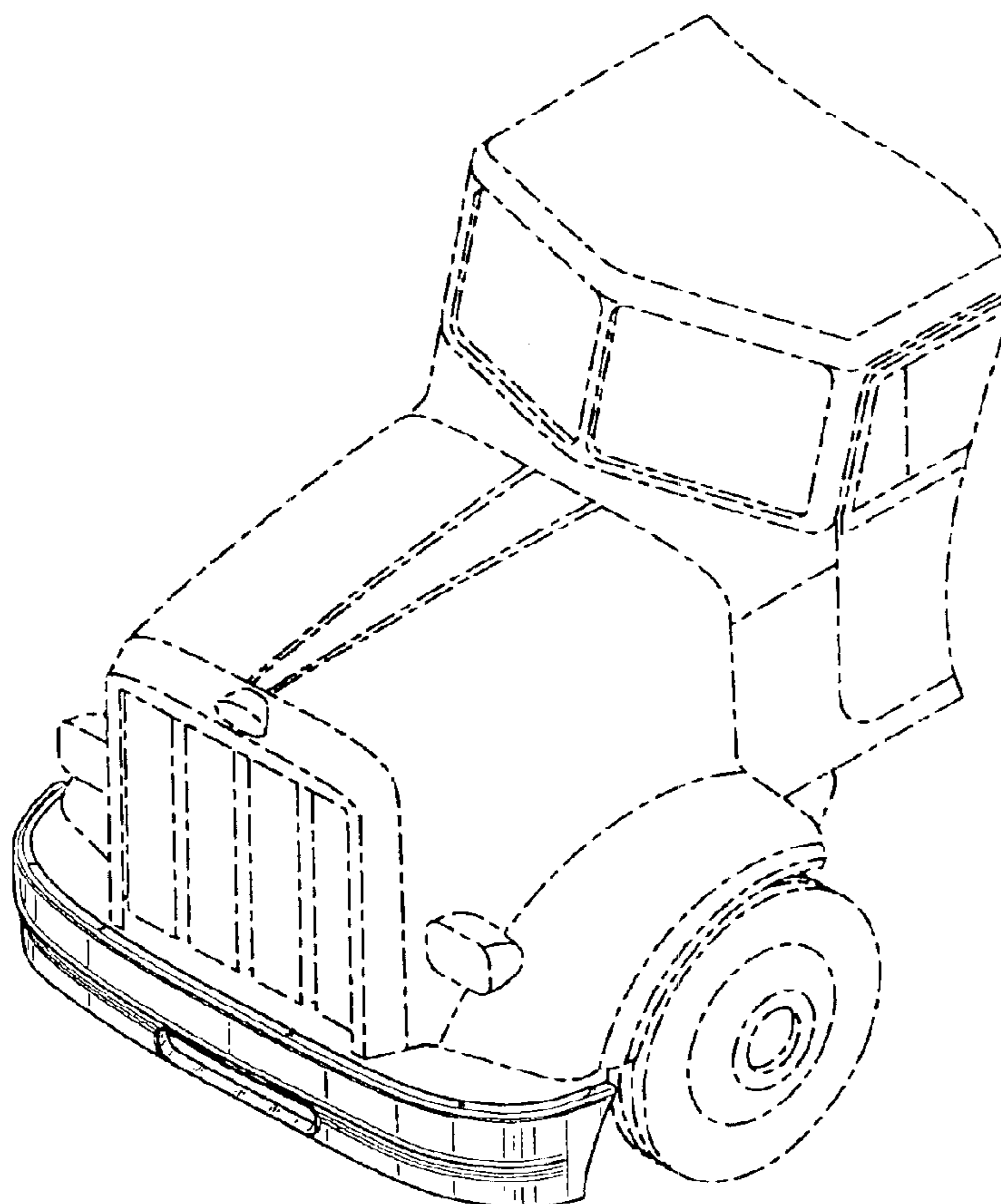
(57) **CLAIM**

The ornamental design for a bumper for a truck vehicle, as shown and described.

**DESCRIPTION**

FIG. 1 is a perspective view of a bumper for a truck vehicle; FIG. 2 is a front view thereof; FIG. 3 is a top view thereof; FIG. 4 is a bottom view thereof; FIG. 5 is a right side view thereof; FIG. 6 is a left side view thereof; and, FIG. 7 is a second perspective view thereof. Parts shown in broken lines are for illustrative purposes only and form no part of the claimed design.

**1 Claim, 3 Drawing Sheets**



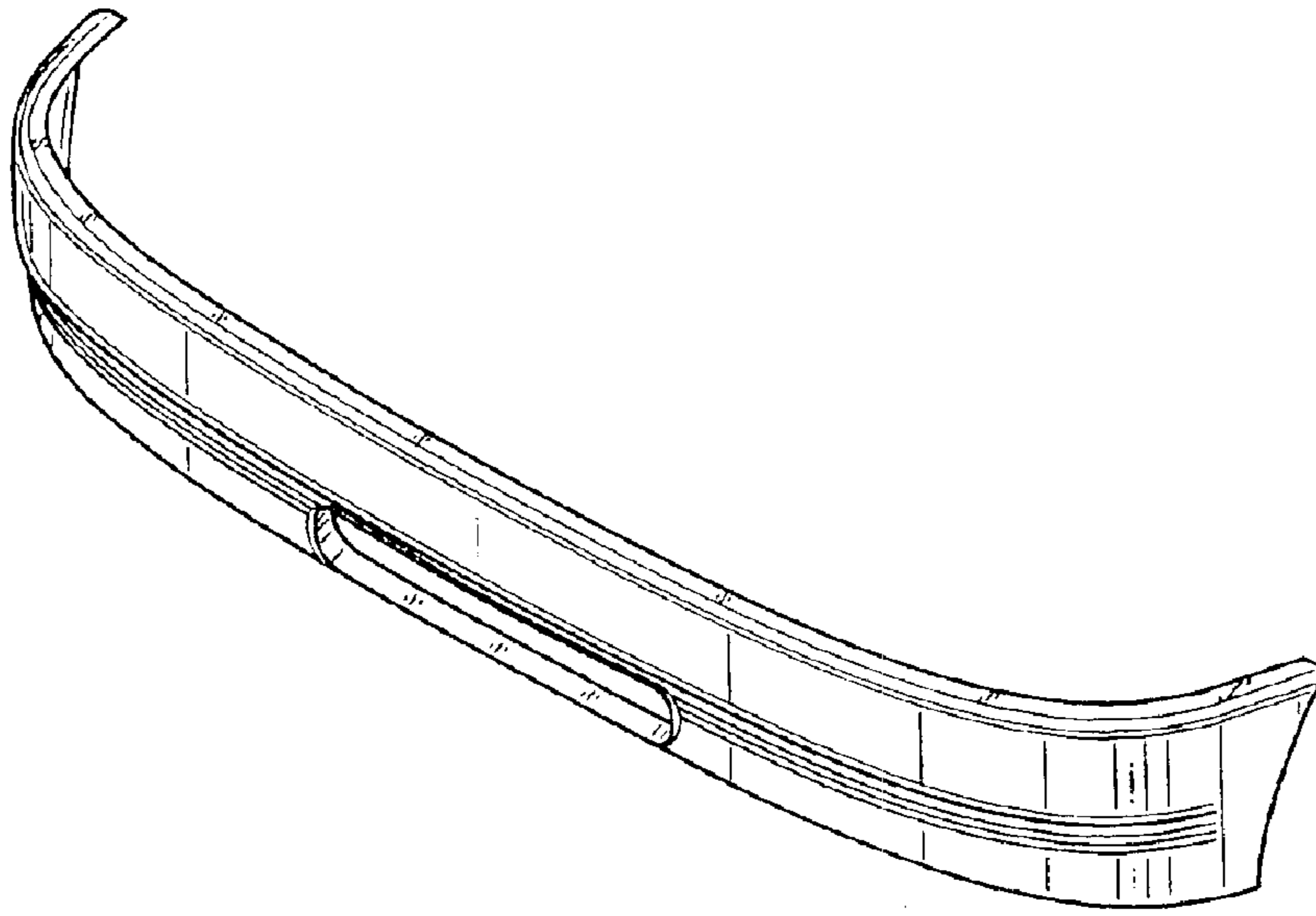


FIG. 1

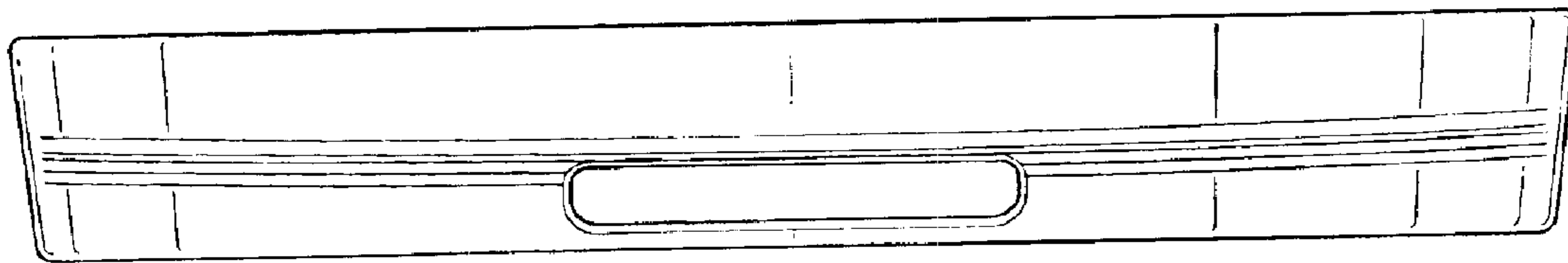


FIG. 2



FIG. 3



FIG. 4

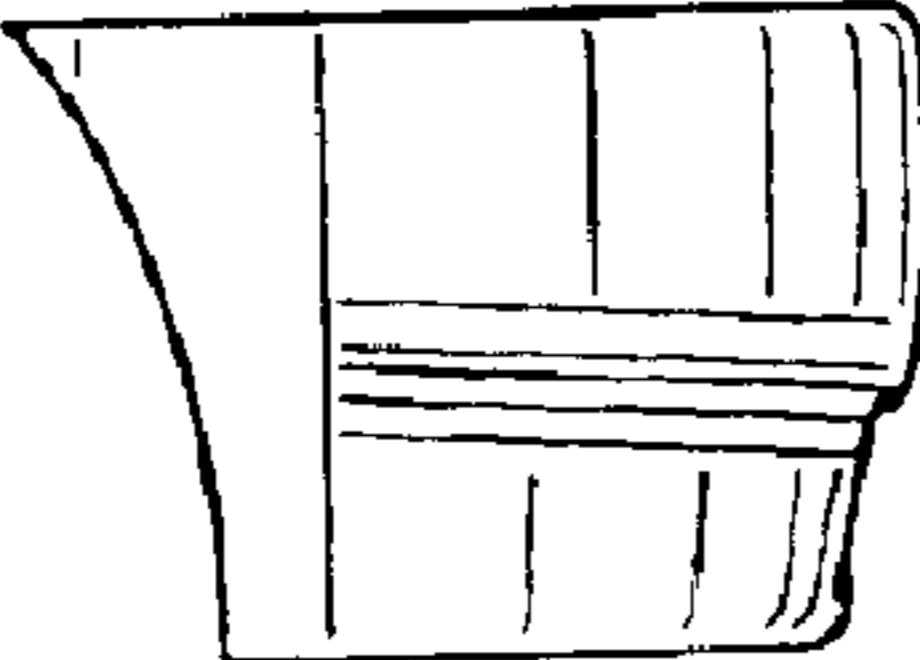


FIG. 5

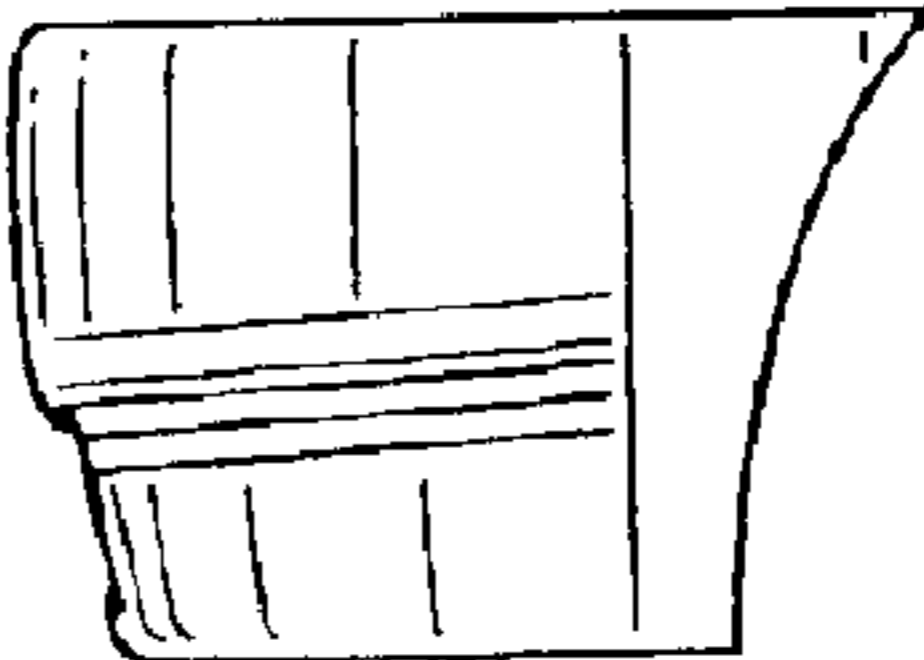


FIG. 6

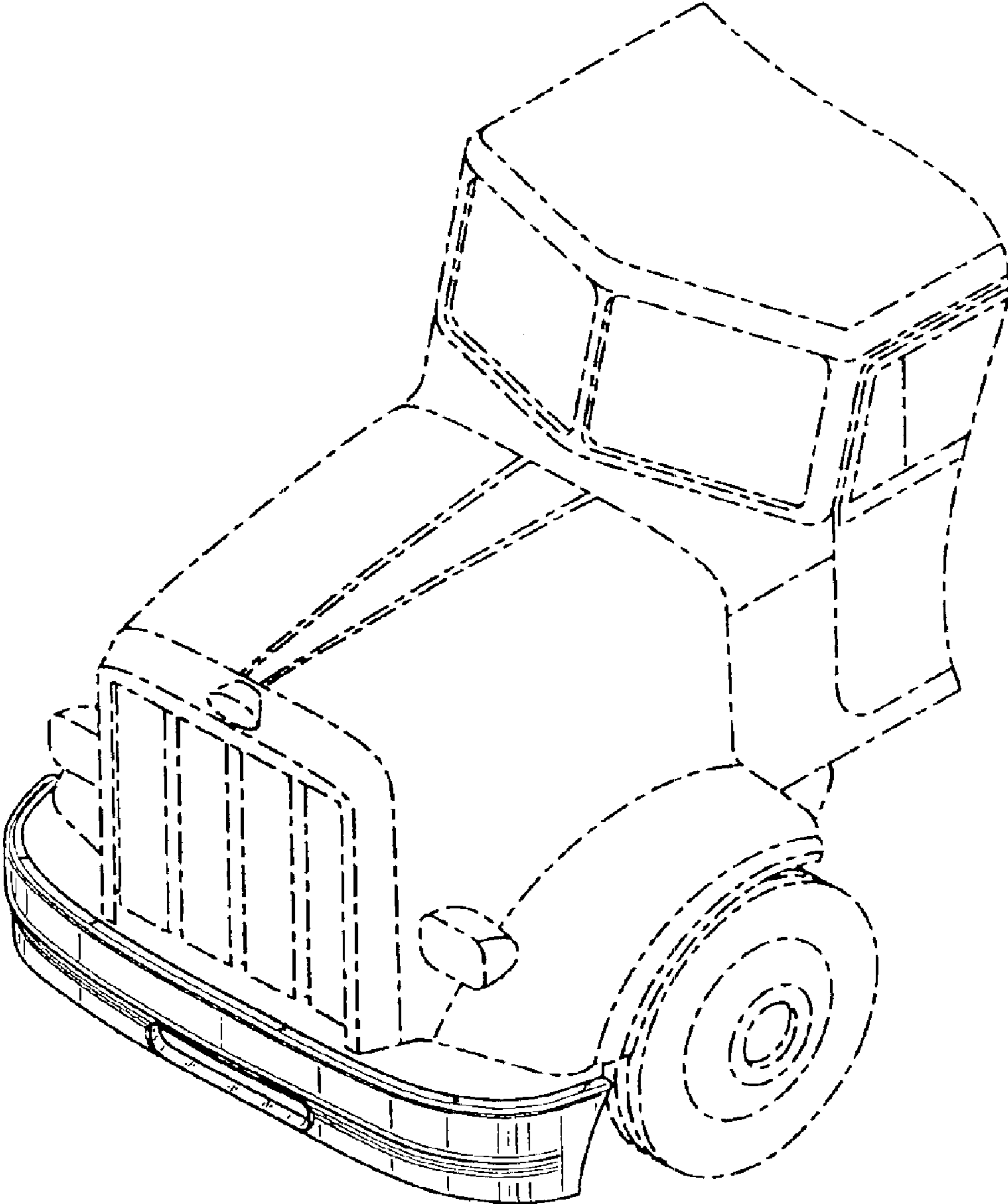


FIG. 7