

US00D504848S

(12) **United States Design Patent** (10) **Patent No.:** **US D504,848 S**
Freeborn et al. (45) **Date of Patent:** **** May 10, 2005**

(54) **ADJUSTABLE BED CARRIAGE**

(75) Inventors: **Brian Freeborn**, Mississauga (CA);
Ted House, Grimsby (CA); **Geoff Rutherford**, Milton (CA)

(73) Assignee: **M.C. Healthcare Products Inc.**,
Beamsville (CA)

(**) Term: **14 Years**

(21) Appl. No.: **29/208,807**

(22) Filed: **Jul. 7, 2004**

Related U.S. Application Data

(63) Continuation-in-part of application No. 10/692,675, filed on
Oct. 27, 2003.

(51) **LOC (7) Cl.** **12-12**

(52) **U.S. Cl.** **D12/131**

(58) **Field of Search** D12/128-133;
5/81.1, 83.1, 86.1, 428, 618, 620; 280/250.1;
297/DIG. 4

(56) **References Cited**

U.S. PATENT DOCUMENTS

D311,509 S * 10/1990 Failor et al. D12/131
5,197,156 A * 3/1993 Stryker et al. 5/428
D454,319 S * 3/2002 Ito D12/131

* cited by examiner

Primary Examiner—Marcus A. Jackson

(57) **CLAIM**

The ornamental design for an adjustable bed carriage, as
shown and described.

DESCRIPTION

FIG. 1 is a perspective view of the top and front of the
adjustable bed carriage showing our new design;
FIG. 2 is a perspective view of the underside and back
thereof;

FIG. 3 is a left side view thereof showing a frame portion of
the bed carriage in a raised position;
FIG. 4 is a right side view thereof;
FIG. 5 is a left side view thereof showing the frame portion
in a lowered position;
FIG. 6 is a right side view thereof;
FIG. 7 is a front view thereof showing the frame portion in
a raised position;
FIG. 8 is a back view thereof;
FIG. 9 is a top view thereof;
FIG. 10 is a bottom view thereof;
FIG. 11 is a perspective view of the top and front of an
alternative embodiment of the adjustable bed carriage, with
directional locks engaged;
FIG. 12 is a perspective view of the underside and back
thereof;
FIG. 13 is a left side view thereof showing a frame portion
of the bed carriage in a raised position;
FIG. 14 is a right side view thereof;
FIG. 15 is a left side view thereof showing the frame portion
in a lowered position;
FIG. 16 is a right side view thereof;
FIG. 17 is a front view thereof showing the frame portion in
a raised position;
FIG. 18 is a back view thereof;
FIG. 19 is a top view thereof;
FIG. 20 is a bottom view thereof;
FIG. 21 is a perspective view of the top and front thereof,
with the directional locks disengaged;
FIG. 22 is a perspective view of the top and front of another
alternative embodiment of the adjustable bed carriage;
FIG. 23 is a perspective view of the underside and back
thereof;
FIG. 24 is a left side view thereof showing a frame portion
of the bed carriage in a raised position;
FIG. 25 is a right side view thereof;
FIG. 26 is a left side view thereof showing the frame portion
in a lowered position;
FIG. 27 is a right side view thereof;
FIG. 28 is a front view thereof showing the frame portion in
a raised position;
FIG. 29 is a back view thereof;
FIG. 30 is a top view thereof; and,
FIG. 31 is a bottom view thereof.

1 Claim, 25 Drawing Sheets



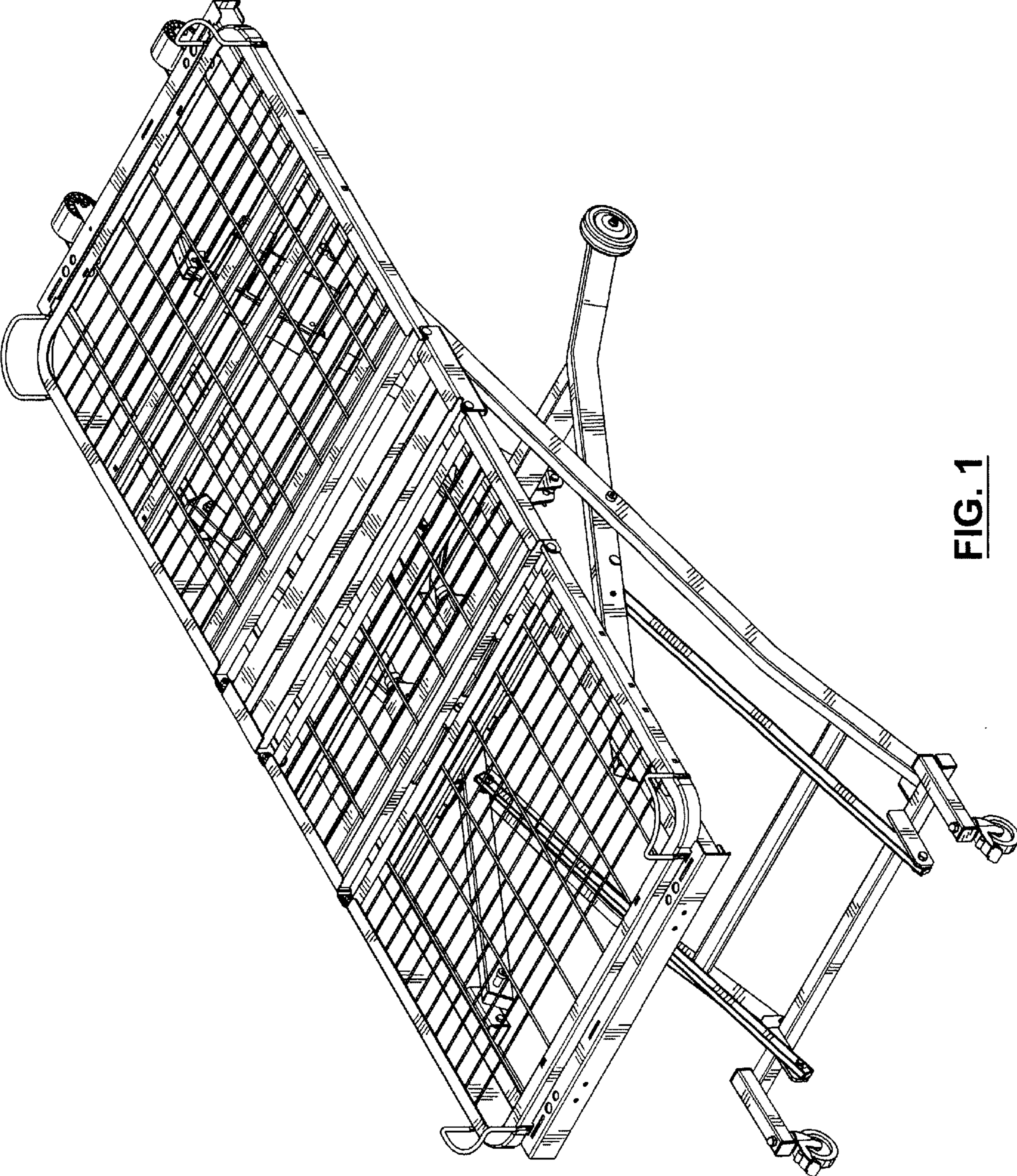


FIG. 1

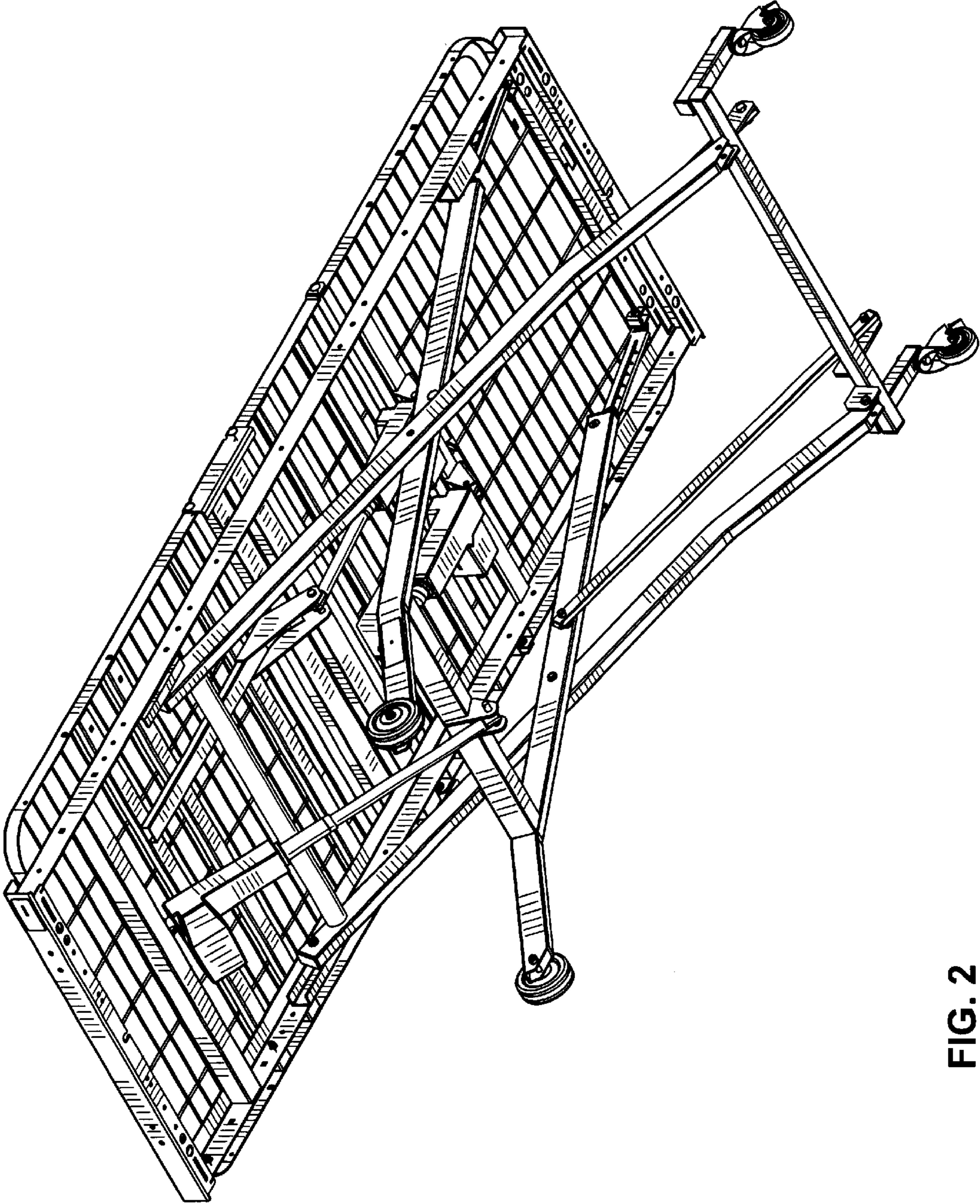


FIG. 2

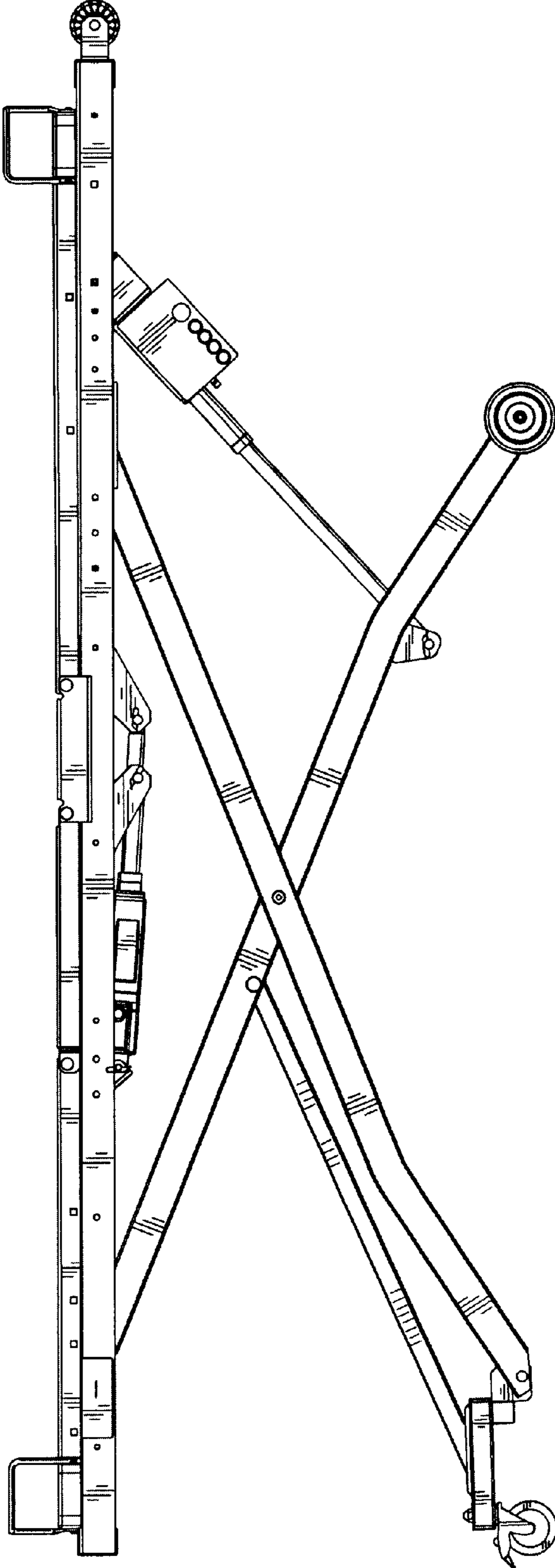


FIG. 3

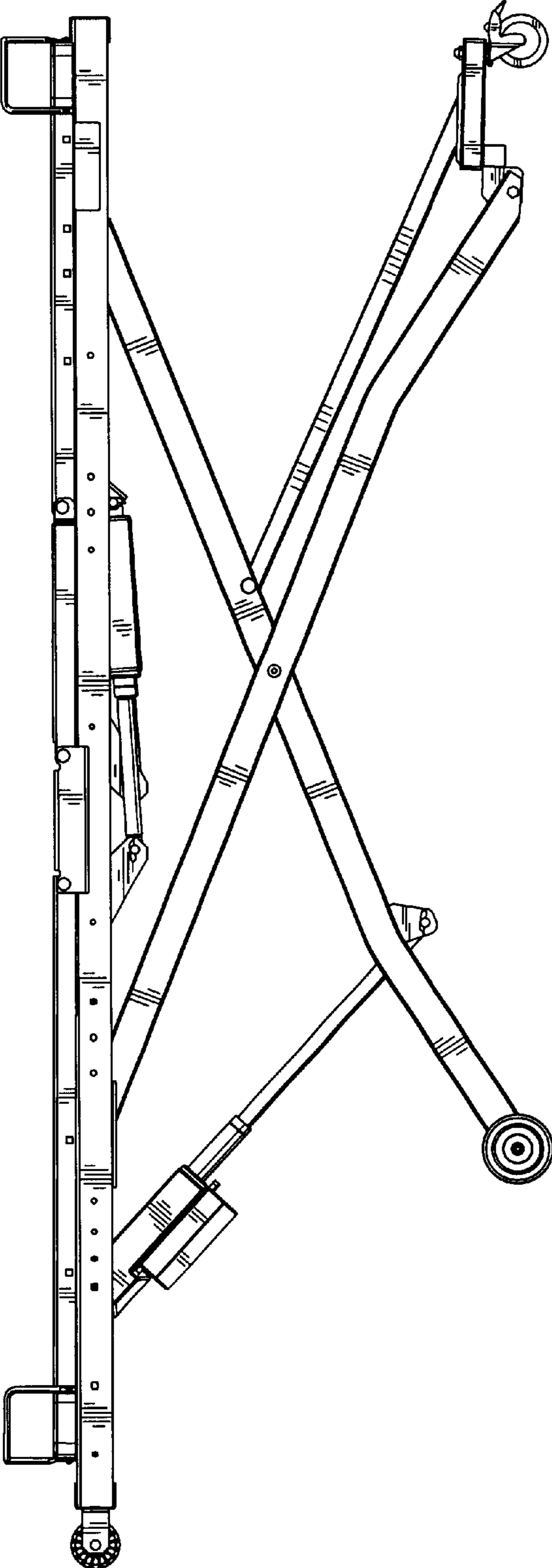


FIG. 4

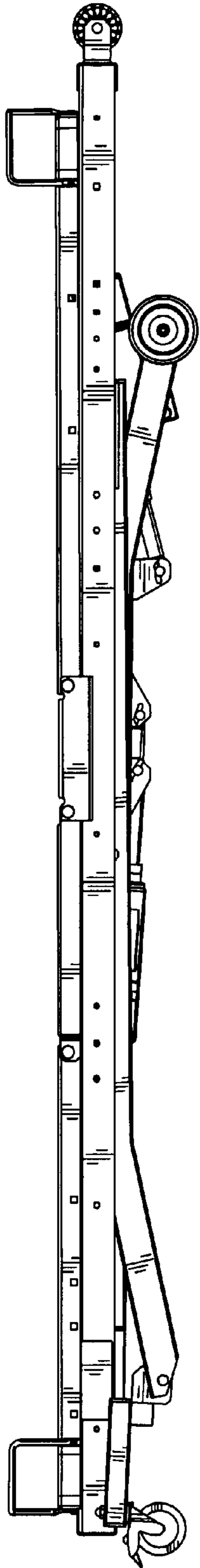


FIG. 5

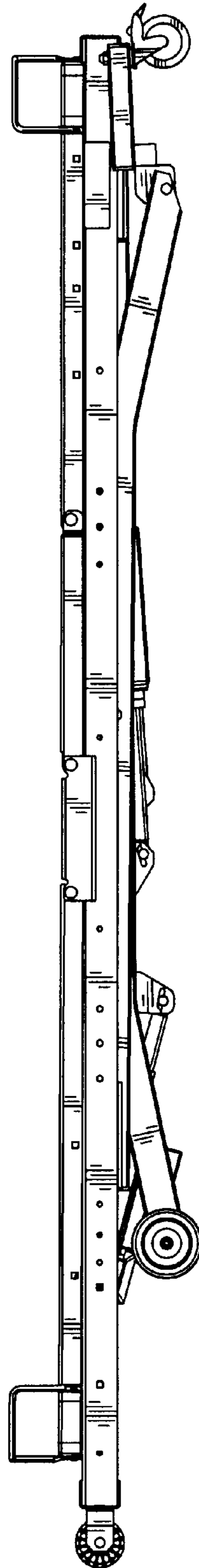


FIG. 6

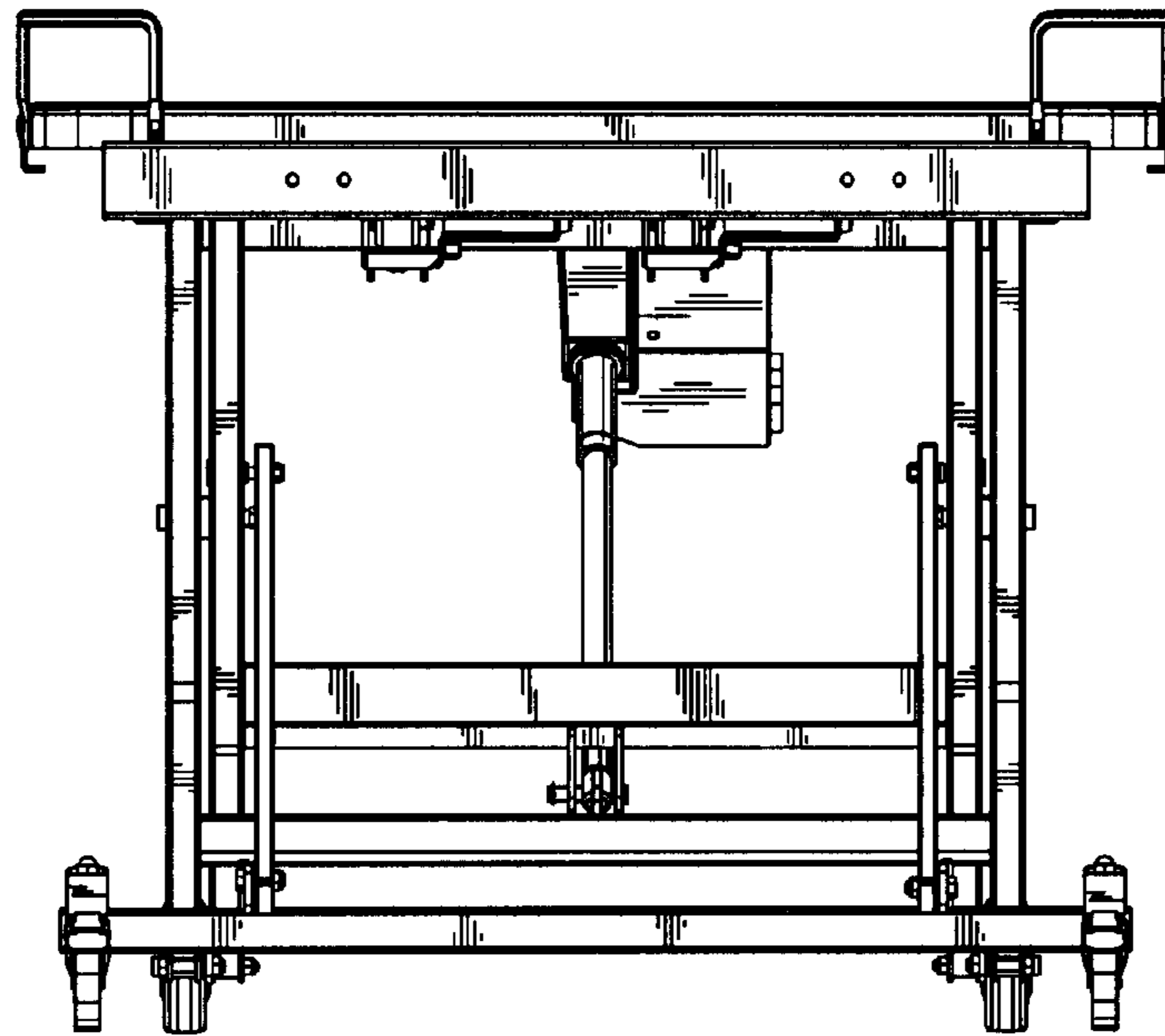


FIG. 7

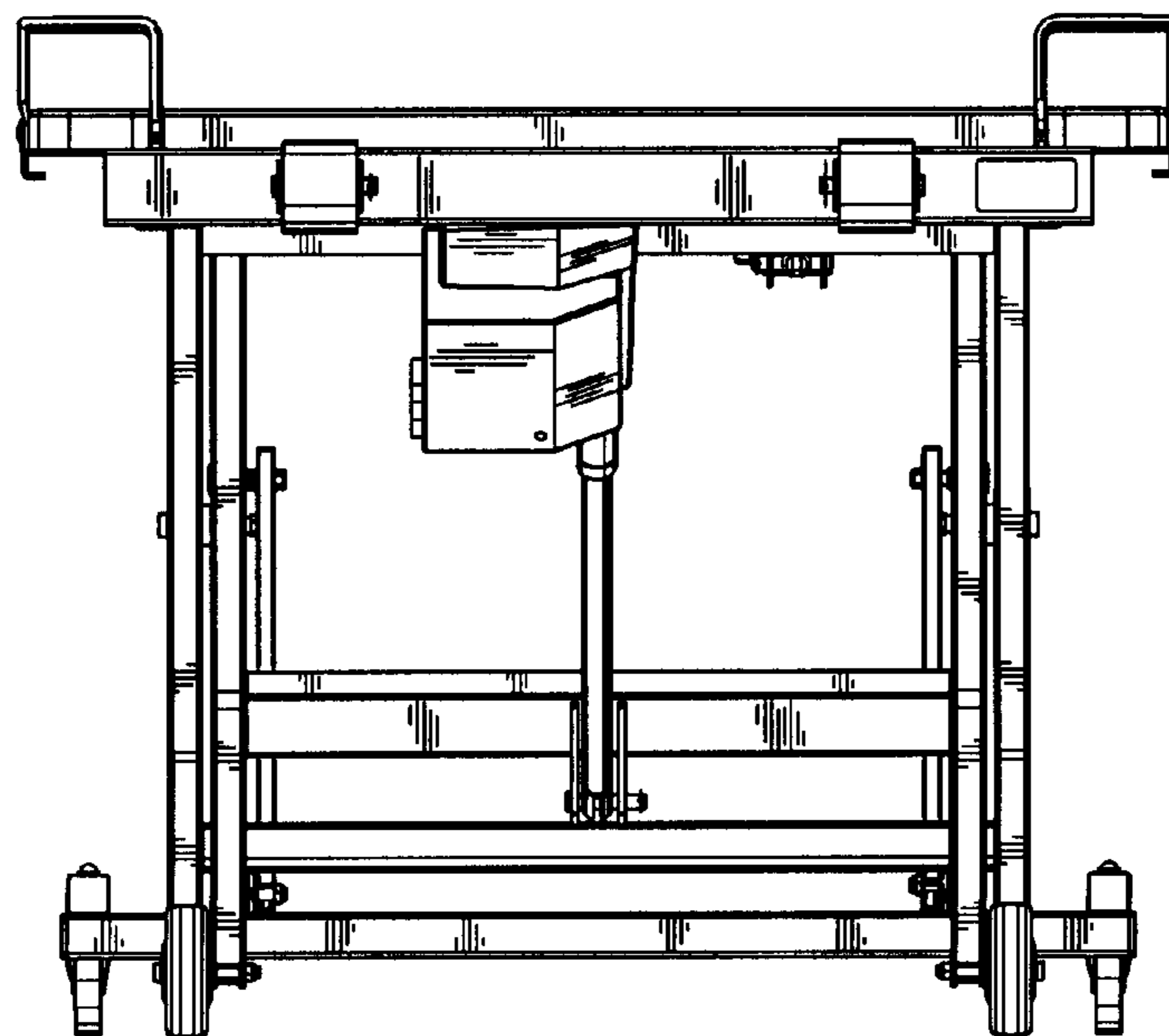


FIG. 8

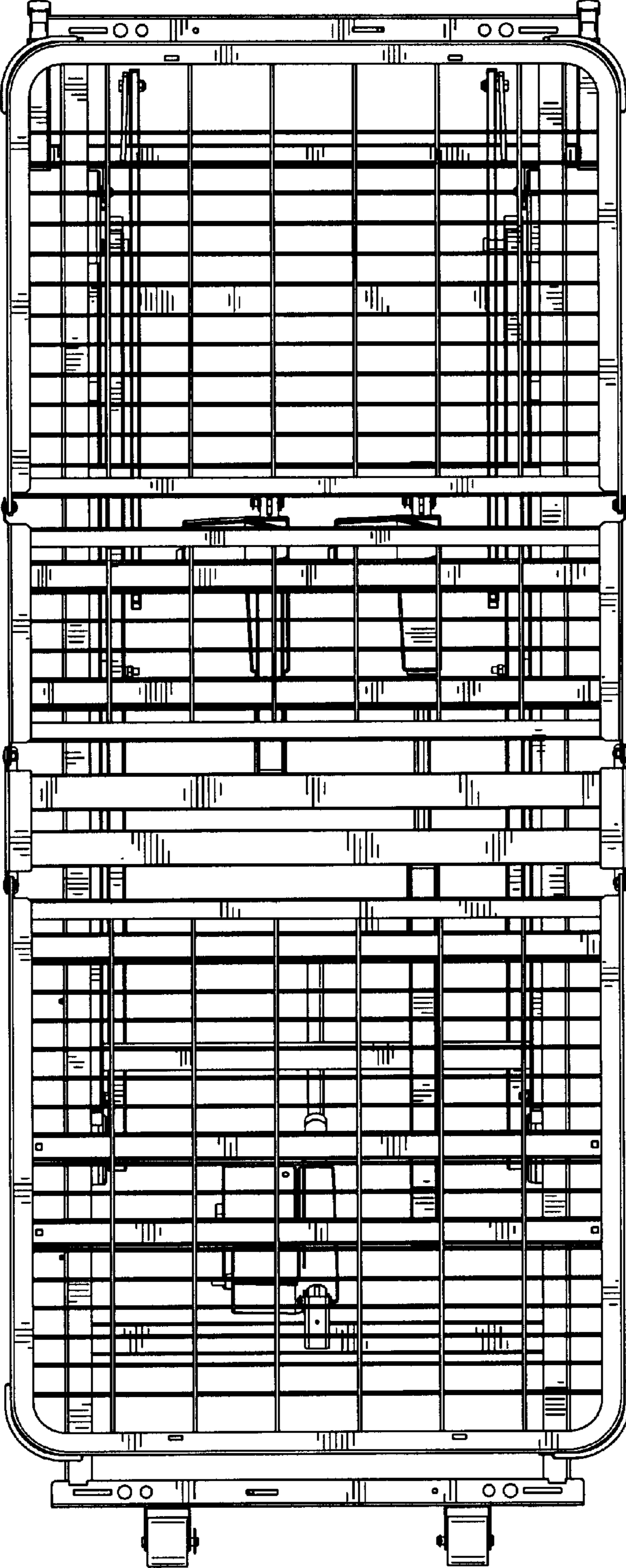


FIG. 9

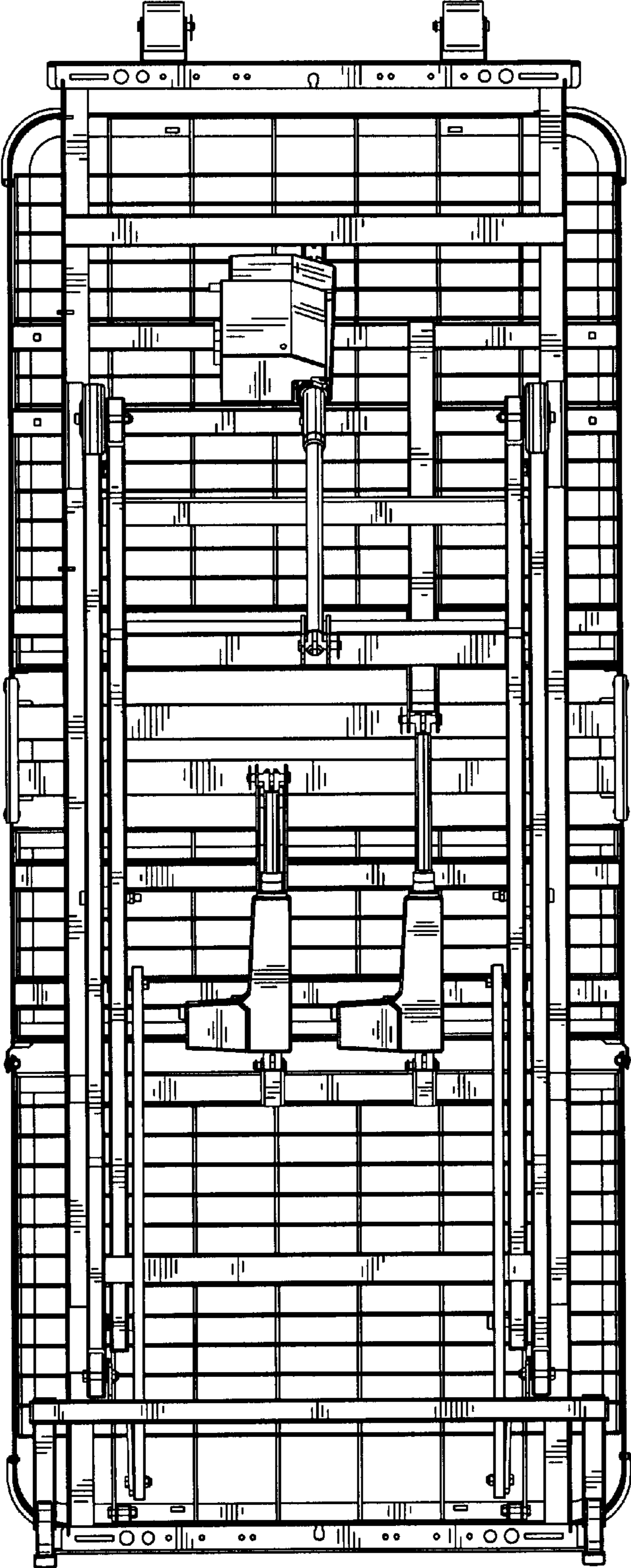


FIG. 10

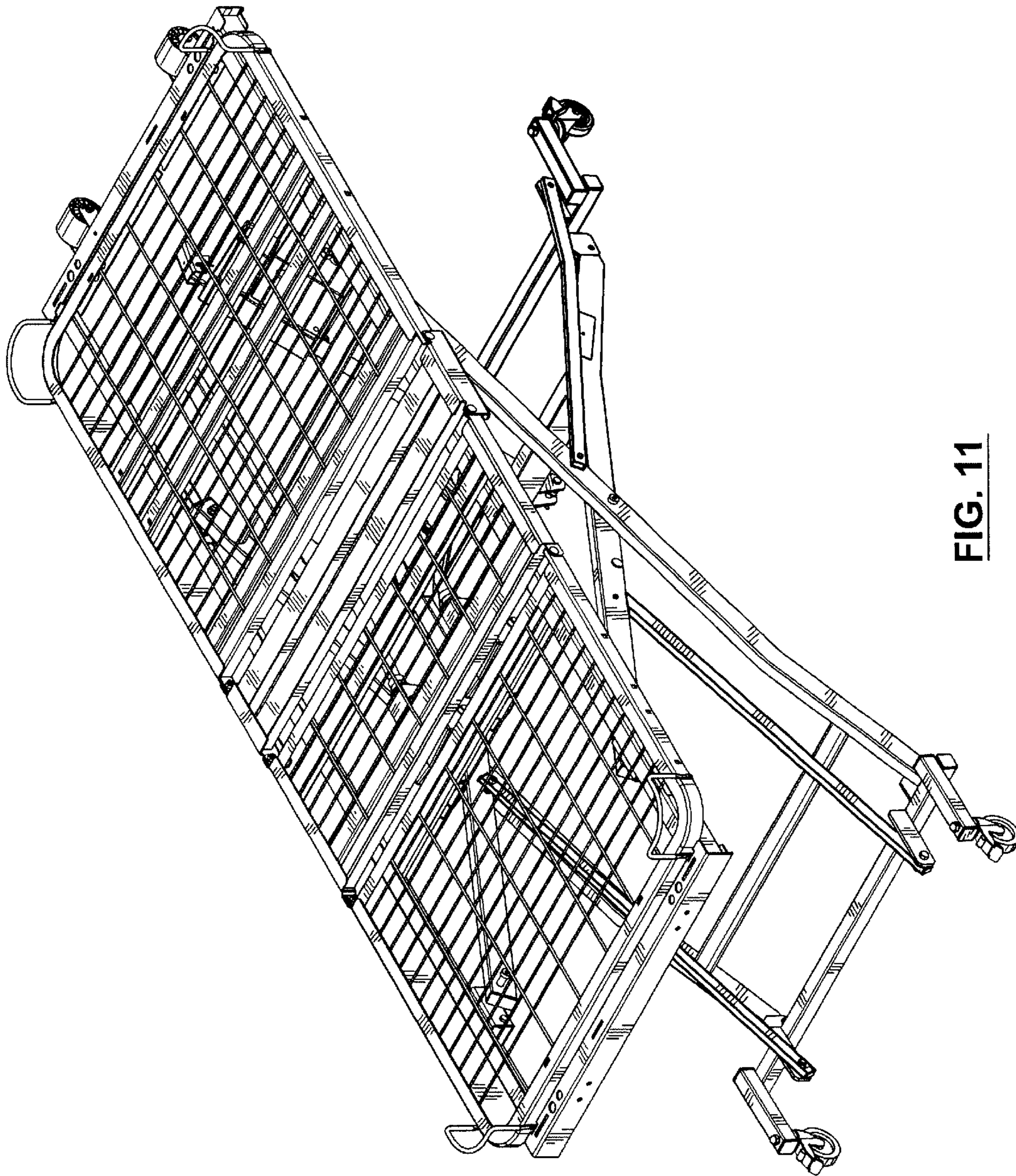


FIG. 11

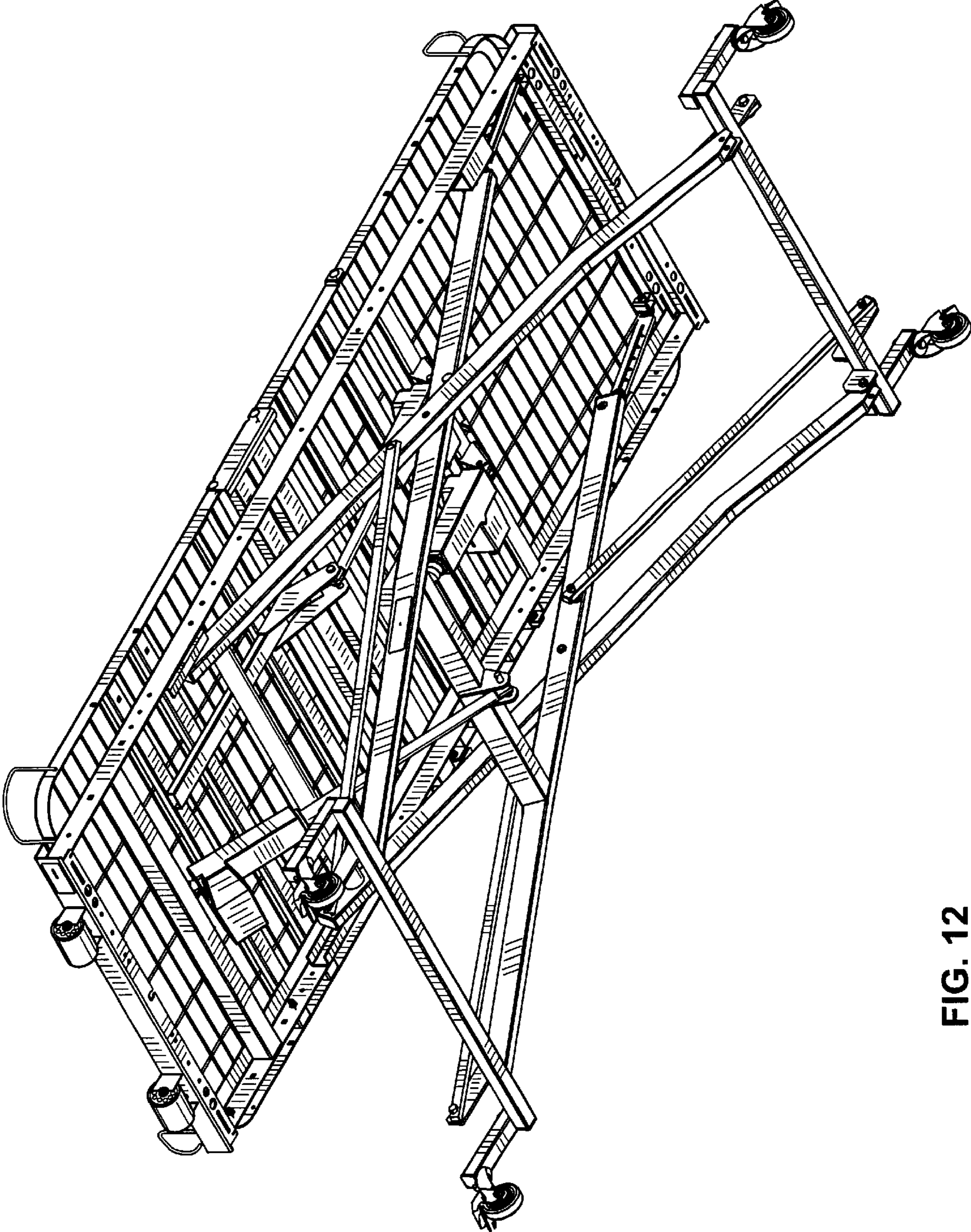


FIG. 12

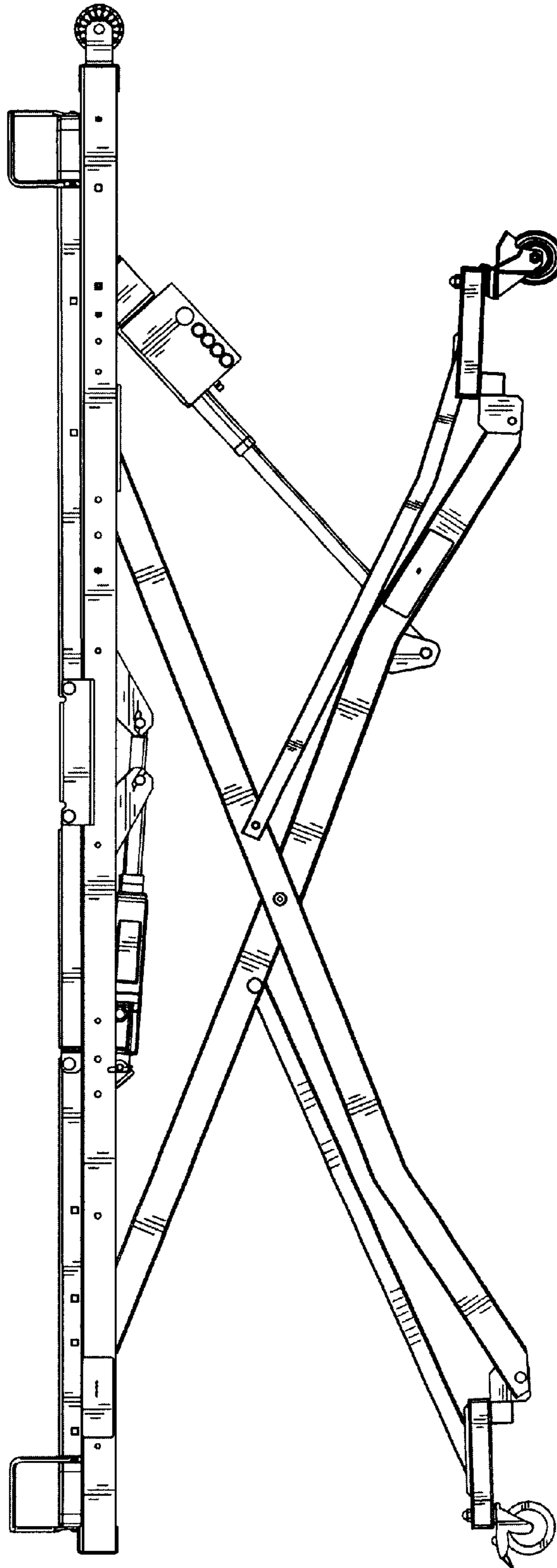


FIG. 13

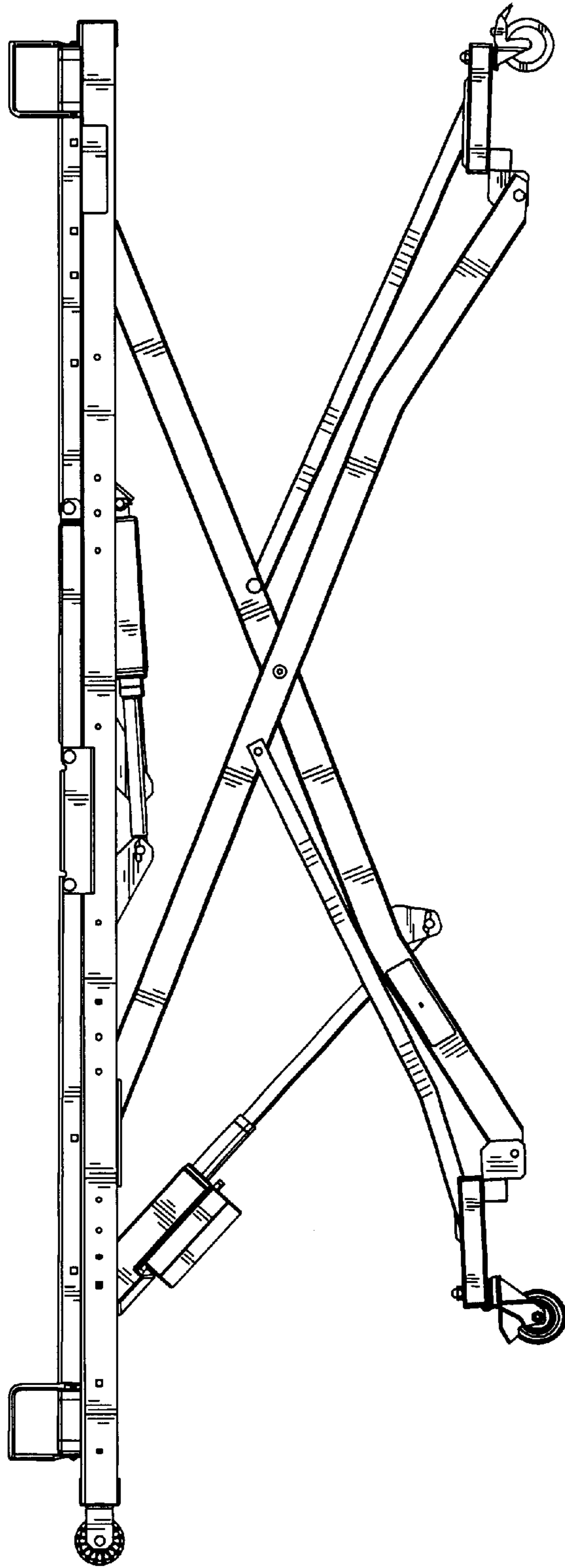


FIG. 14

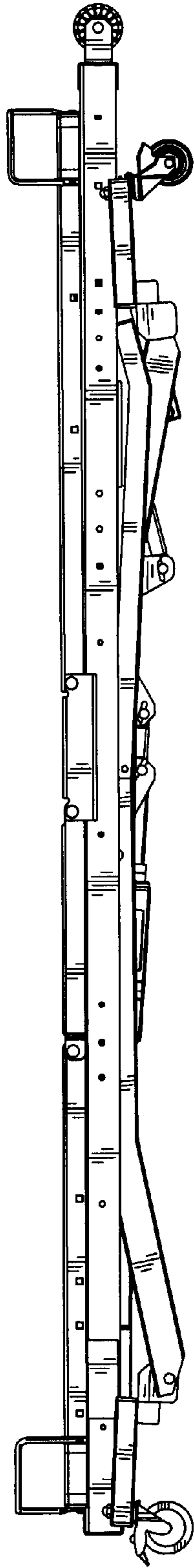


FIG. 15

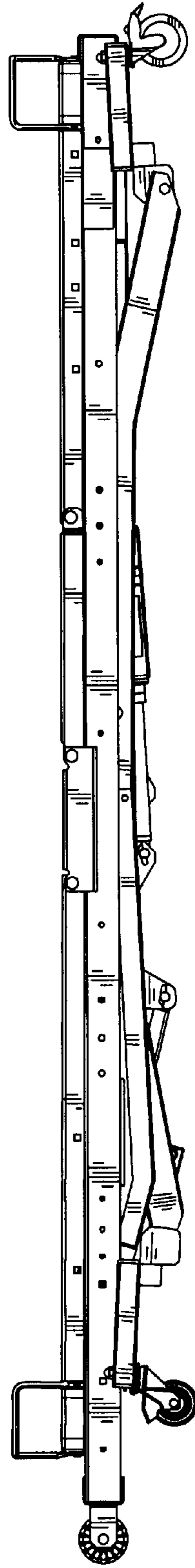


FIG. 16

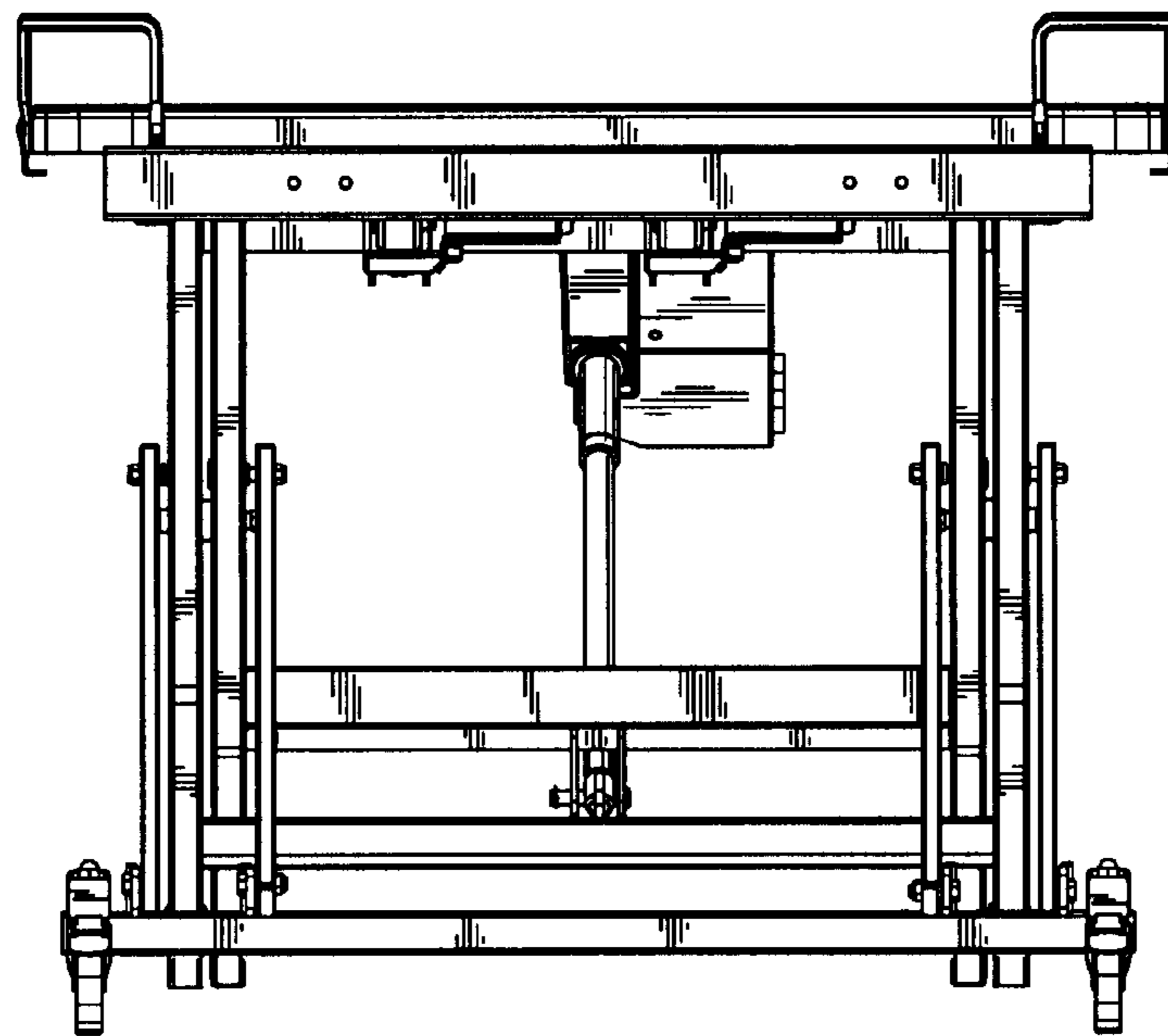


FIG. 17

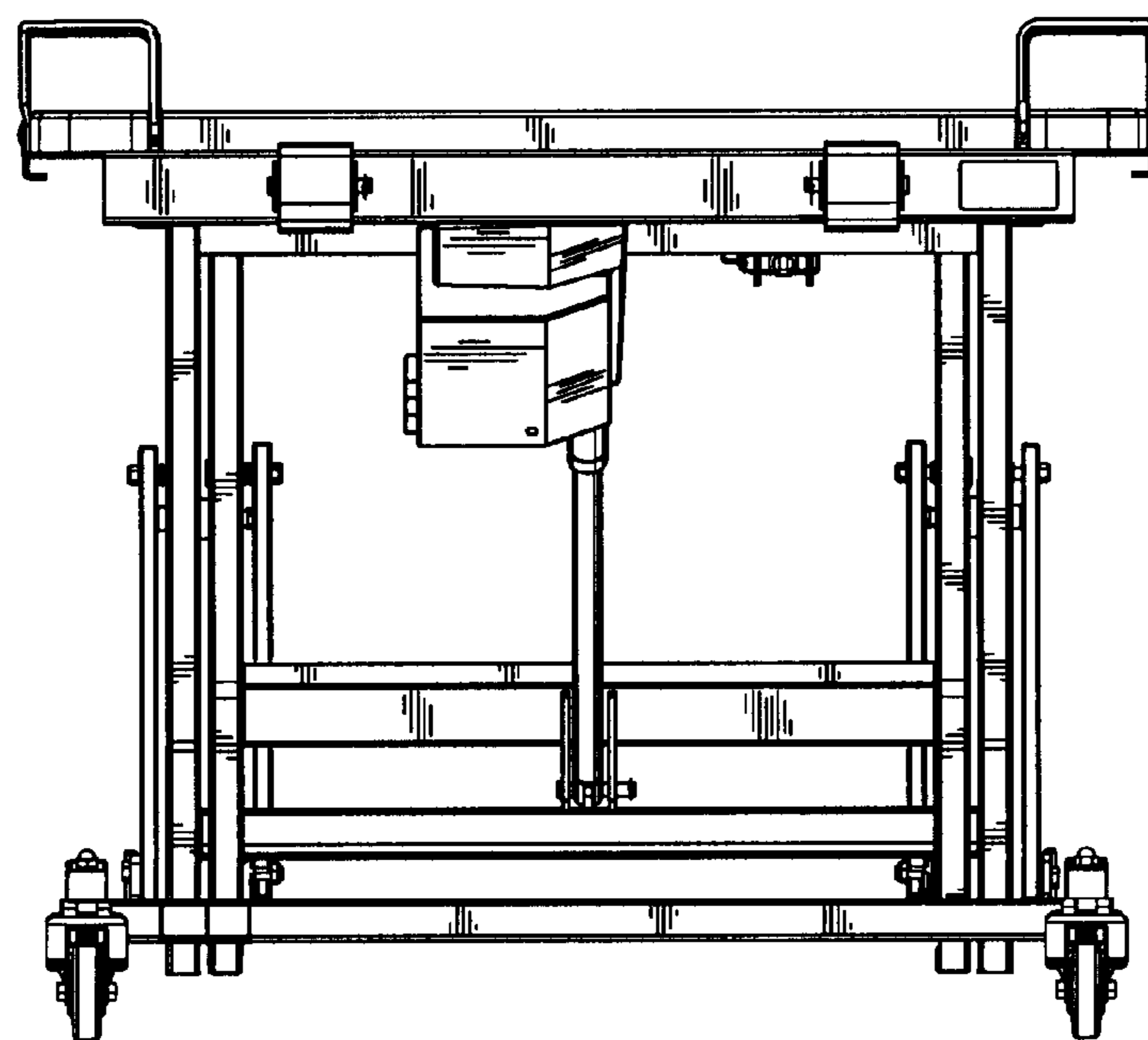


FIG. 18

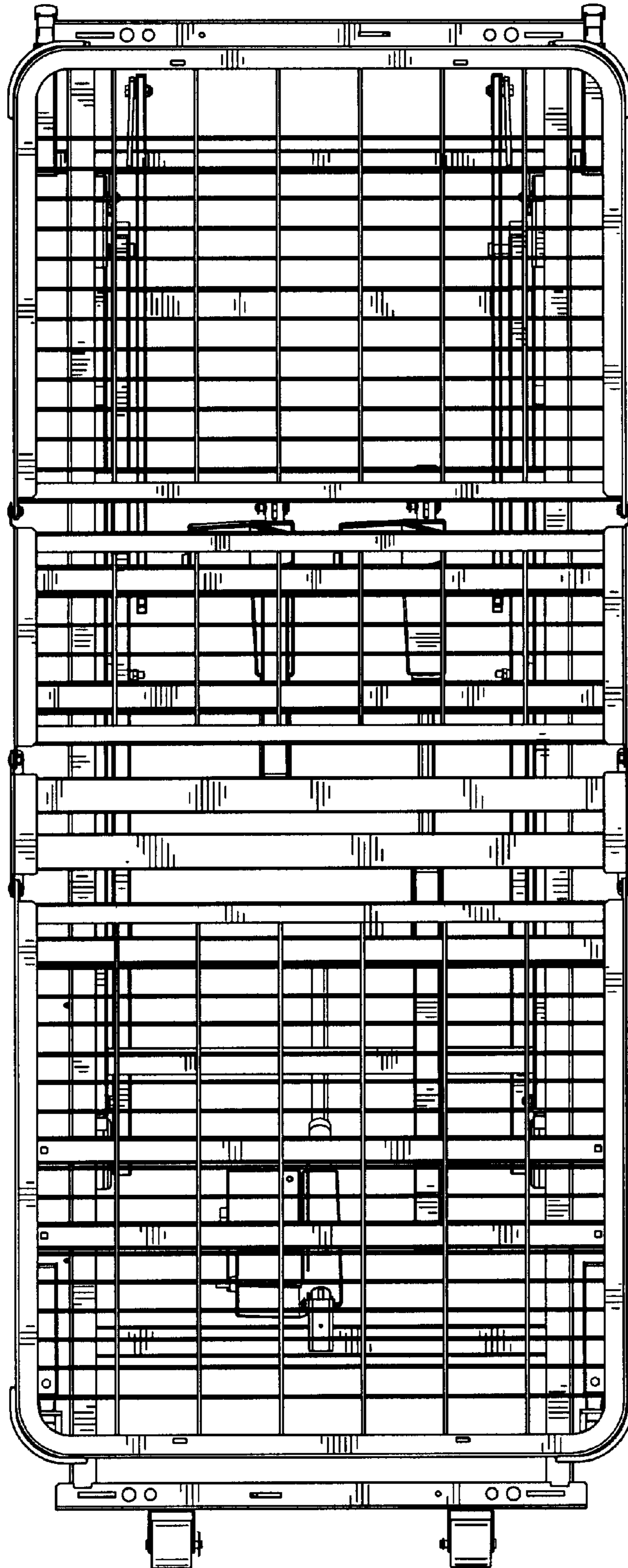


FIG. 19

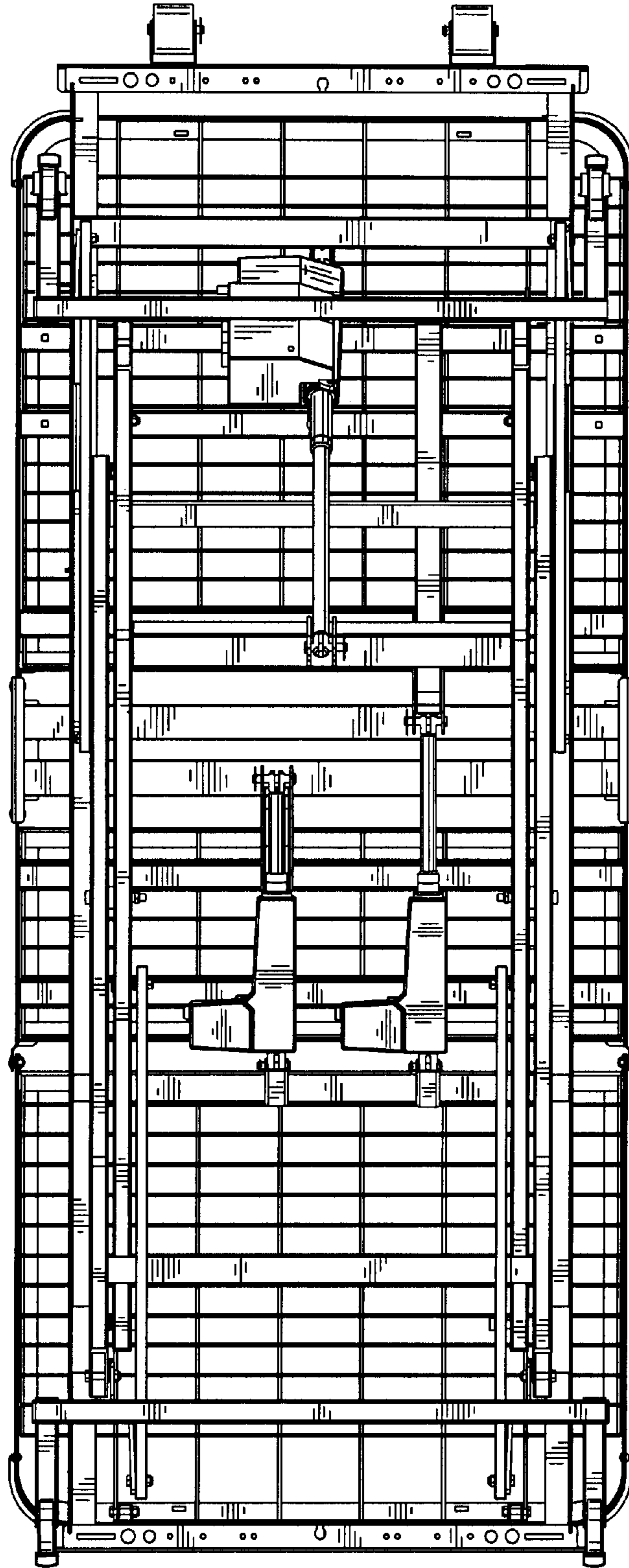


FIG. 20

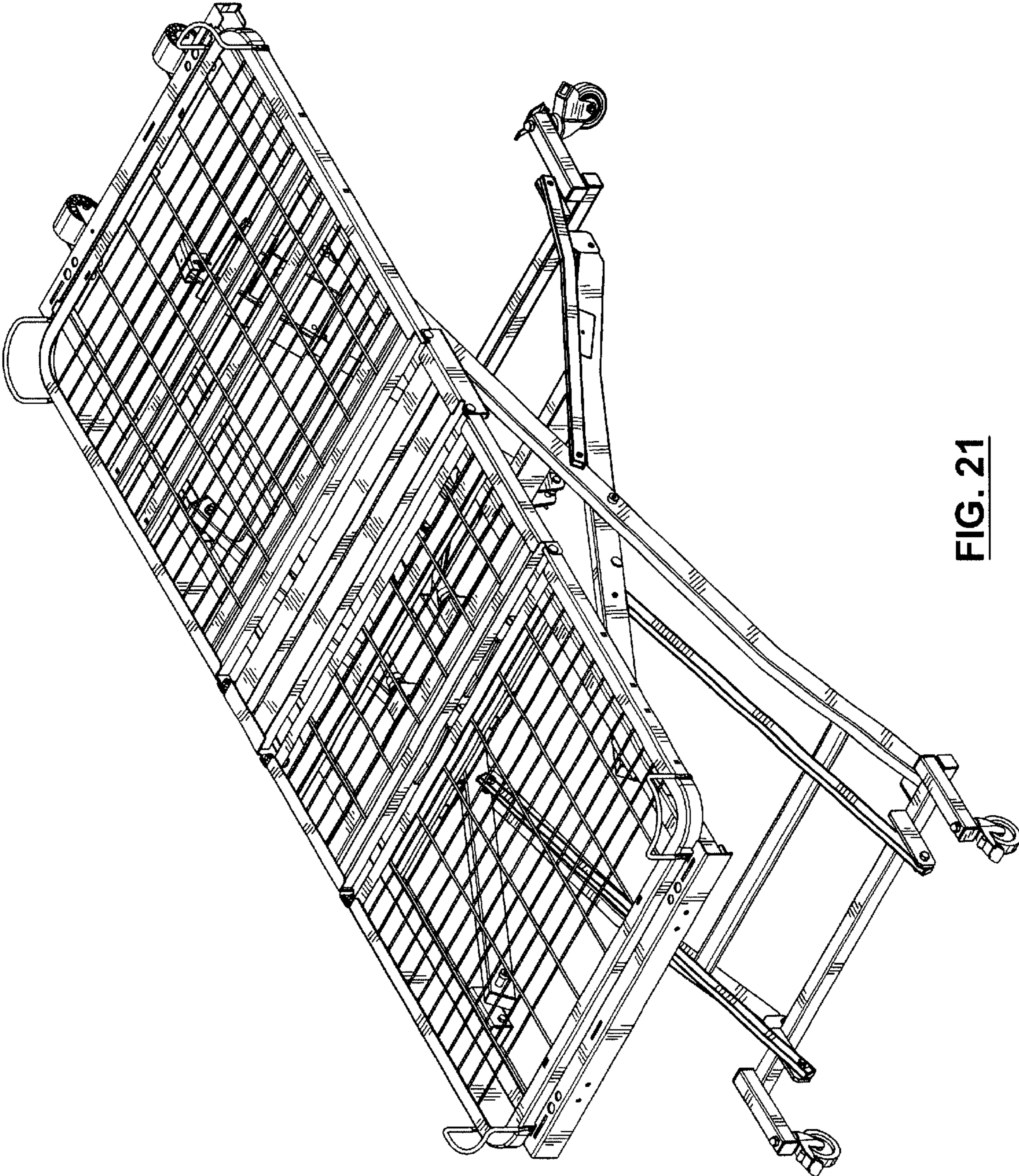


FIG. 21

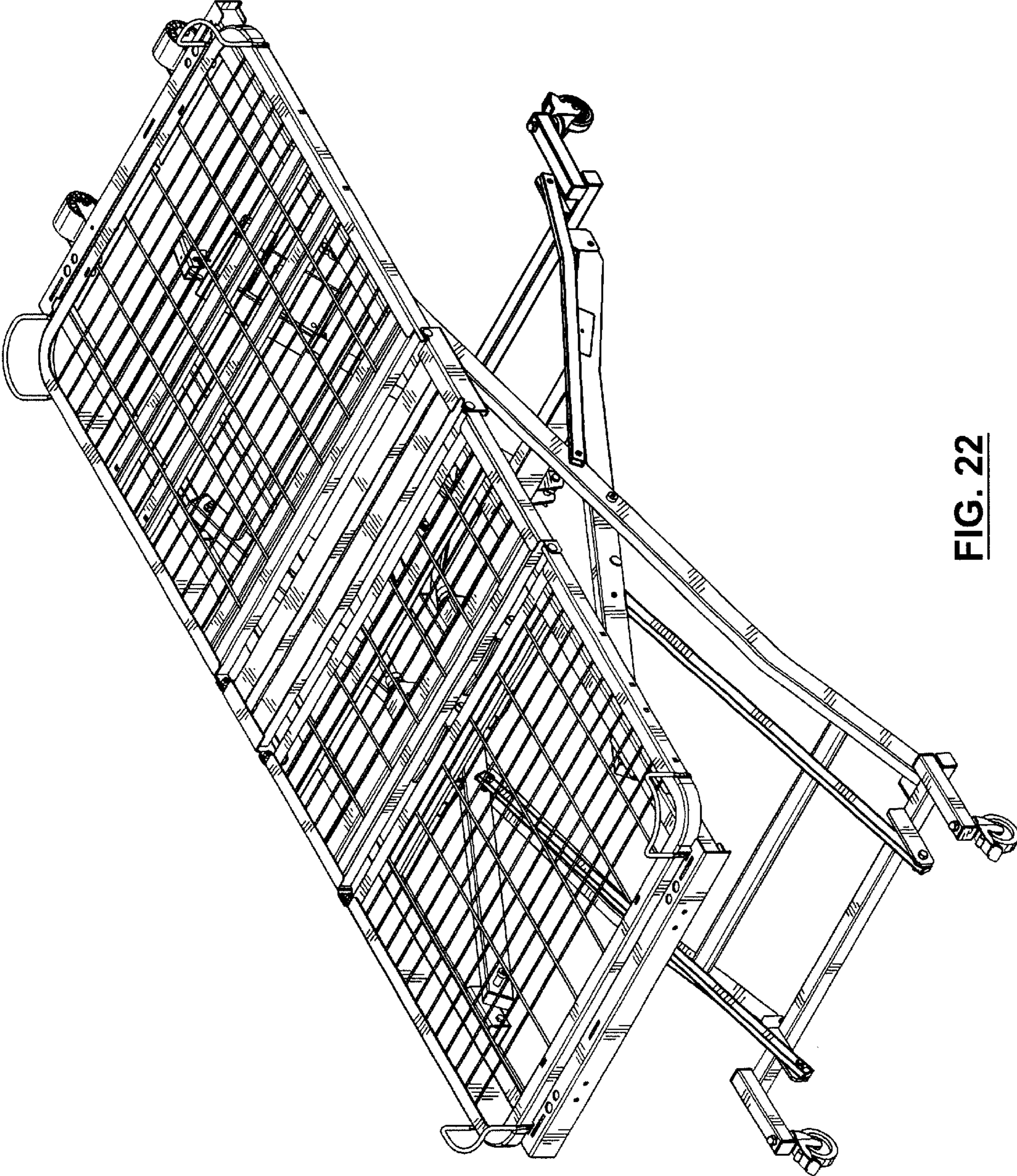


FIG. 22

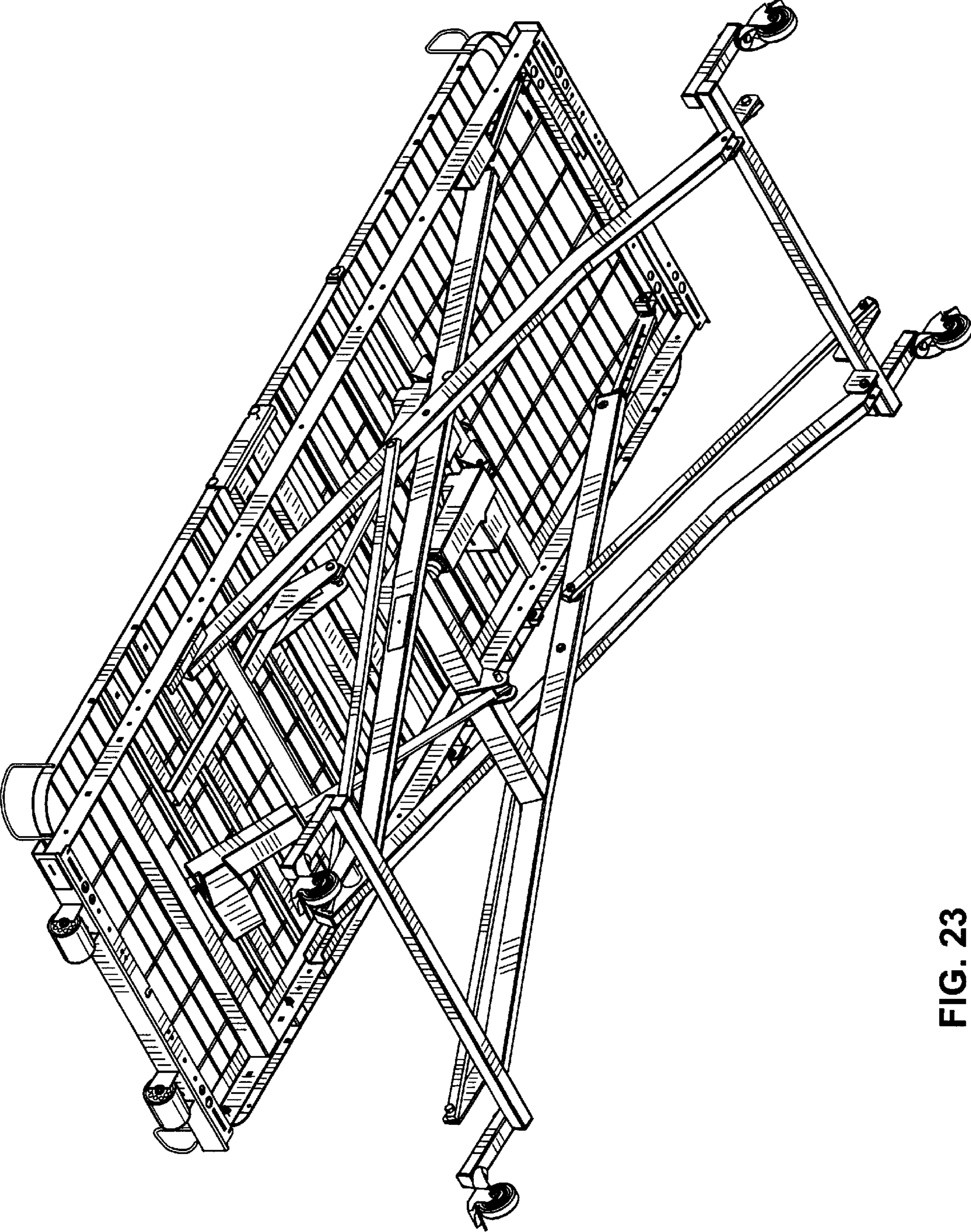


FIG. 23

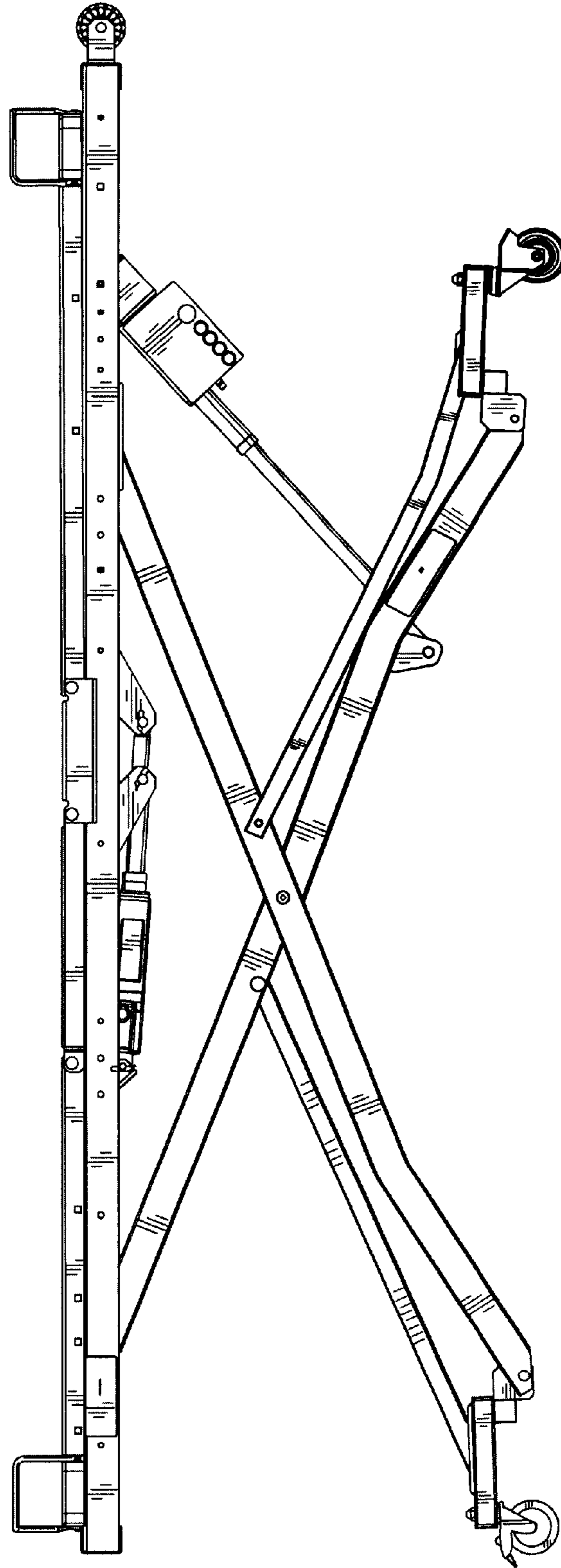


FIG. 24

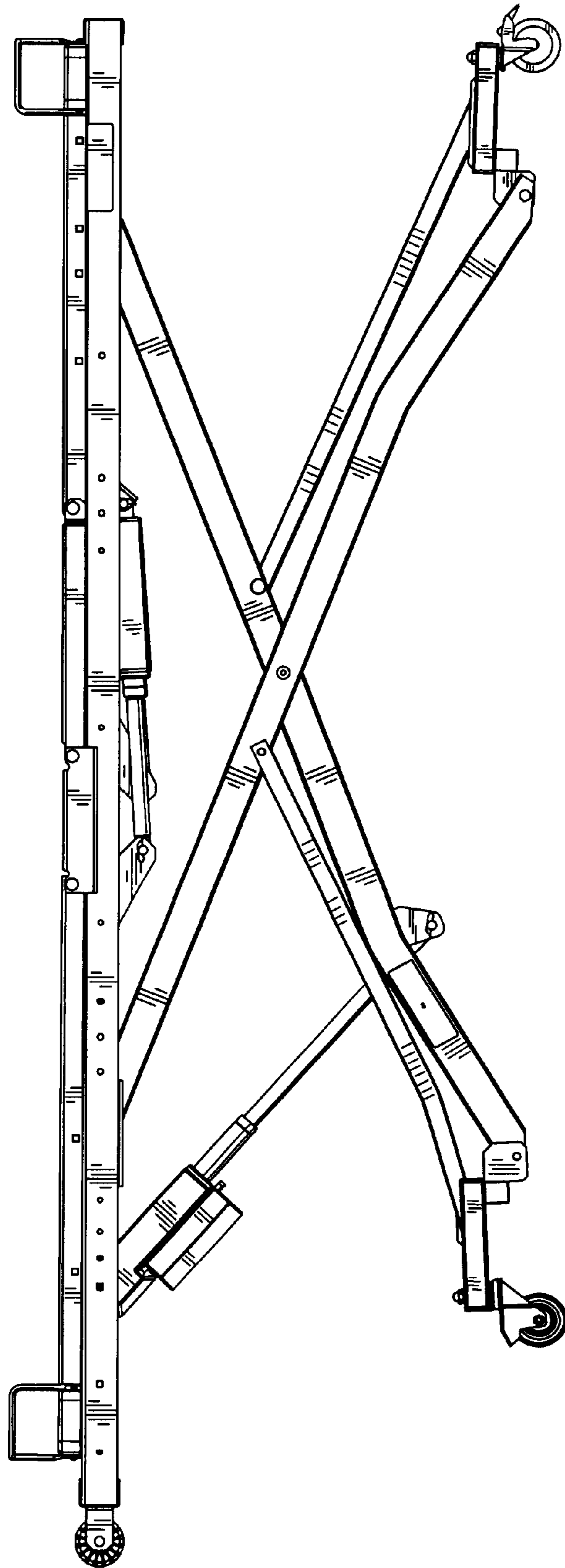


FIG. 25

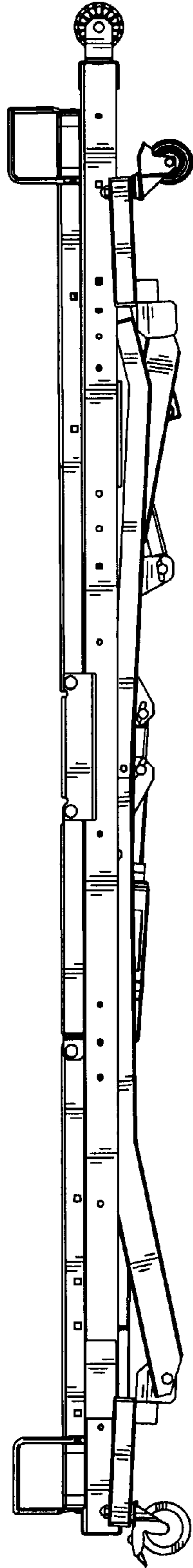


FIG. 26

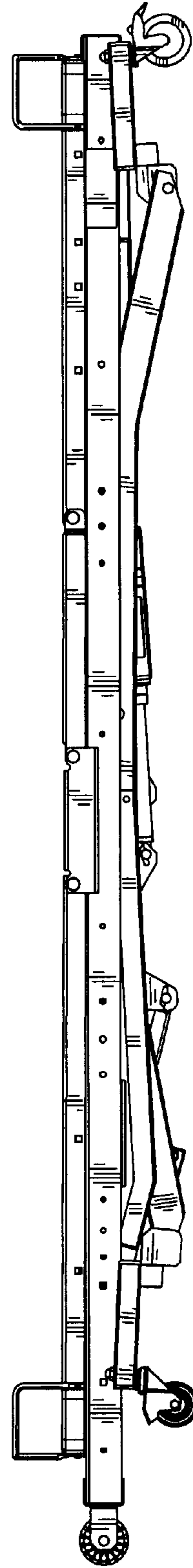


FIG. 27

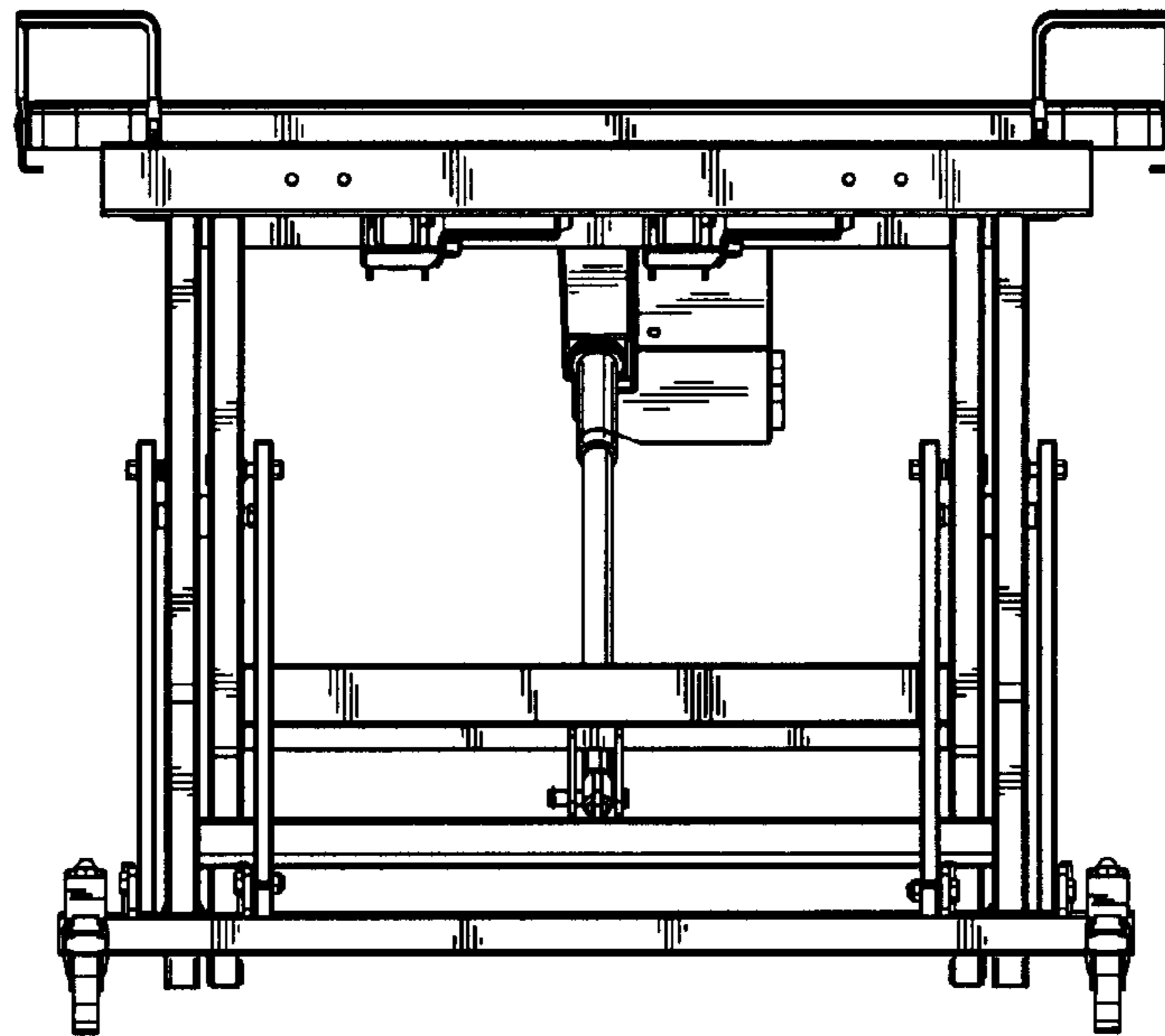


FIG. 28

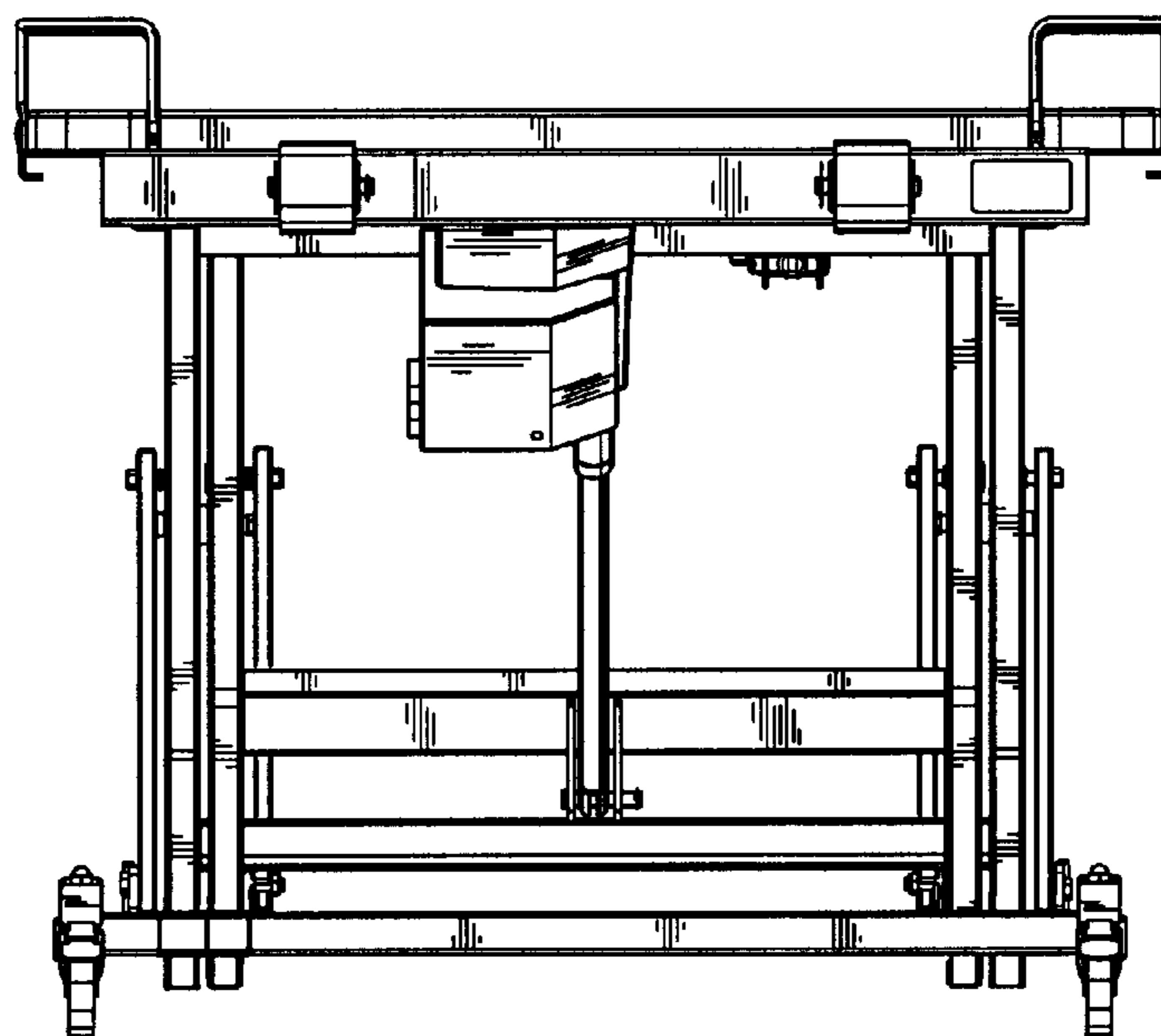


FIG. 29

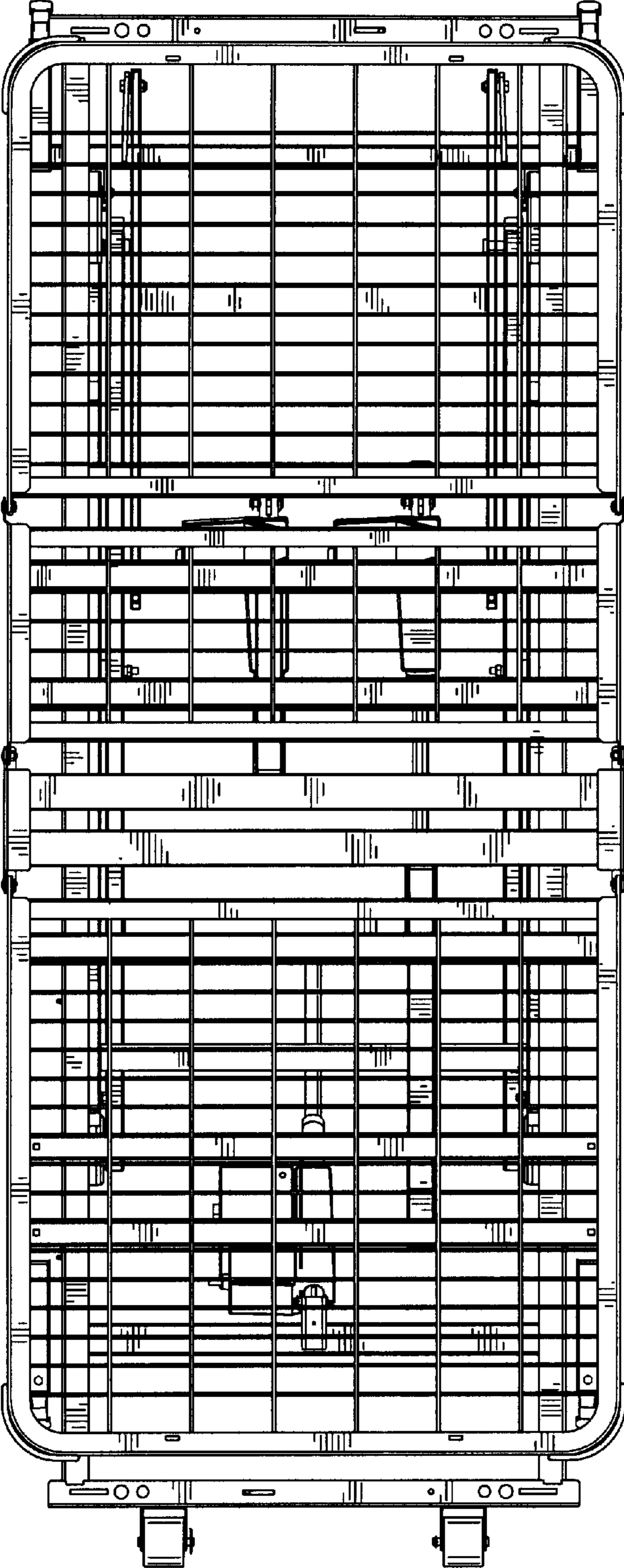


FIG. 30

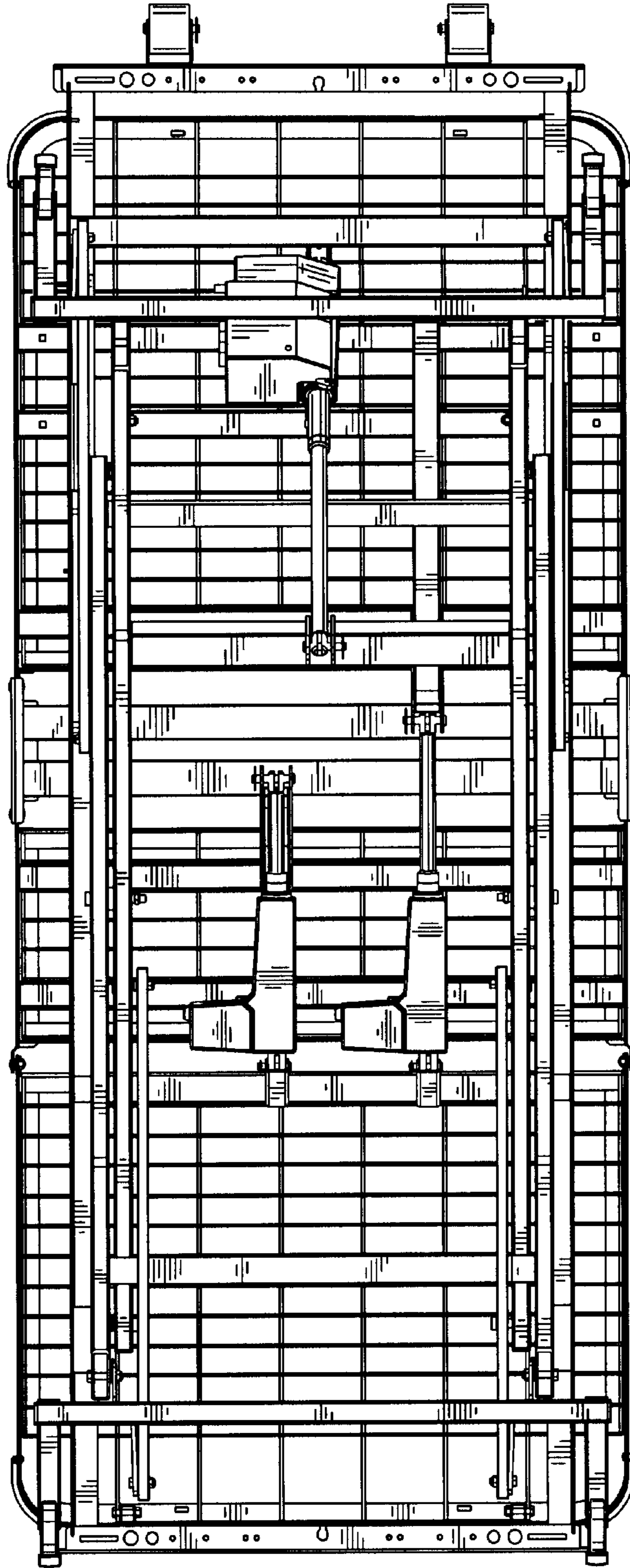


FIG. 31