

US00D504846S

(12) **United States Design Patent** (10) **Patent No.:** **US D504,846 S**
Sramek et al. (45) **Date of Patent:** **** May 10, 2005**

(54) **ELECTRIC-POWERED BICYCLE**
(75) Inventors: **Steve Sramek**, Long Beach, CA (US);
William Griggs, Anaheim, CA (US)
(73) Assignee: **Razor USA LLC**, Cerritos, CA (US)
(**) Term: **14 Years**
(21) Appl. No.: **29/204,450**
(22) Filed: **Apr. 29, 2004**
(51) **LOC (7) Cl.** **12-11**
(52) **U.S. Cl.** **D12/111**
(58) **Field of Search** D12/110, 111;
280/274-280, 281.1, 283-288, 288.1; 180/65.1,
65.6, 205, 206, 216, 217, 220

(56) **References Cited**
U.S. PATENT DOCUMENTS
6,155,369 A * 12/2000 Whittaker 180/220
D453,489 S * 2/2002 Wallace et al. D12/110
D483,698 S * 12/2003 Basura D12/111

OTHER PUBLICATIONS
Iron Works magazine article dated Aug., 2004,
www.exilecy6cles.com; 1 page.
Iron Works magazine article dated Aug., 2004, HR3 Worlds
Finest Bike Kits, Empower Yourself; 1 page.
Iron Works magazine article dated Aug., 2004, Readers'
Rides, Mike Correll East Stroudsburg, PA , 2003 Special
Construction; 1 page.
American Iron magazine article dated Sep., 2004, Cloud 8,
Cloud 9, Big Dog Motorcycles, Build Your Dream Bike at
www.bigdogmotorcycles.com, 1 page.

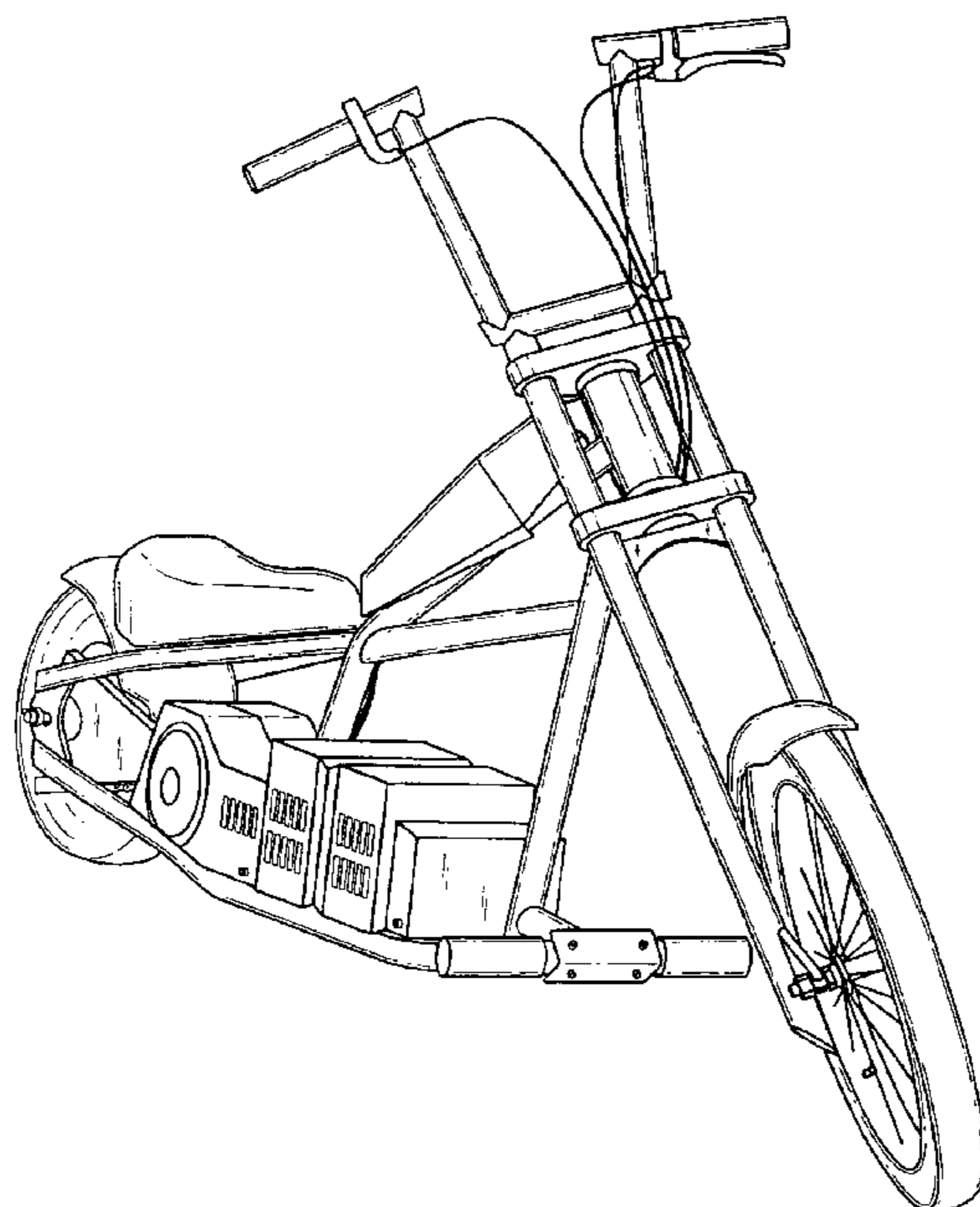
American Iron magazine article dated Sep., 2004, Mean
Green Machine, Kenji builds choppers with a Japanese
twist, Thunder Alley High Performance Harleys, 2 pages.
American Iron magazine article dated Sep., 2004, West
Coast Hogs, The Award Winning California Chopper, 1
page.
American Iron magazine article dated Sep., 2004, Big Bear
Choppers, Reaper Chopper, 1 page.
American Iron magazine article dated Sep., 2004, "I've been
waiting to get some extended seat time on a Swift Motor-
cycle chopper. . . ."; p. 109 (1 page).
American Iron magazine article dated Sep., 2004, Mustang
Chopper 250, Red Horse—www.redhorse.com; 1 page.
American Iron magazine article dated Sep., 2004, "People
have had visions and heard voices for centuries. . ."; 1 page.
* cited by examiner

Primary Examiner—Alan P. Douglas
Assistant Examiner—Linda Brooks
(74) *Attorney, Agent, or Firm*—Knobbe, Martens, Olson &
Bear, LLP

(57) **CLAIM**
The ornamental design for an "electric-powered bicycle", as
shown and described.

DESCRIPTION
FIG. 1 is a perspective view of a preferred embodiment of
an electric-powered bicycle;
FIG. 2 is a right side elevational view thereof;
FIG. 3 is a left side elevational view thereof;
FIG. 4 is a front elevational view thereof;
FIG. 5 is a rear elevational view thereof;
FIG. 6 is a top plan view thereof; and,
FIG. 7 is a bottom plan view thereof.

1 Claim, 5 Drawing Sheets



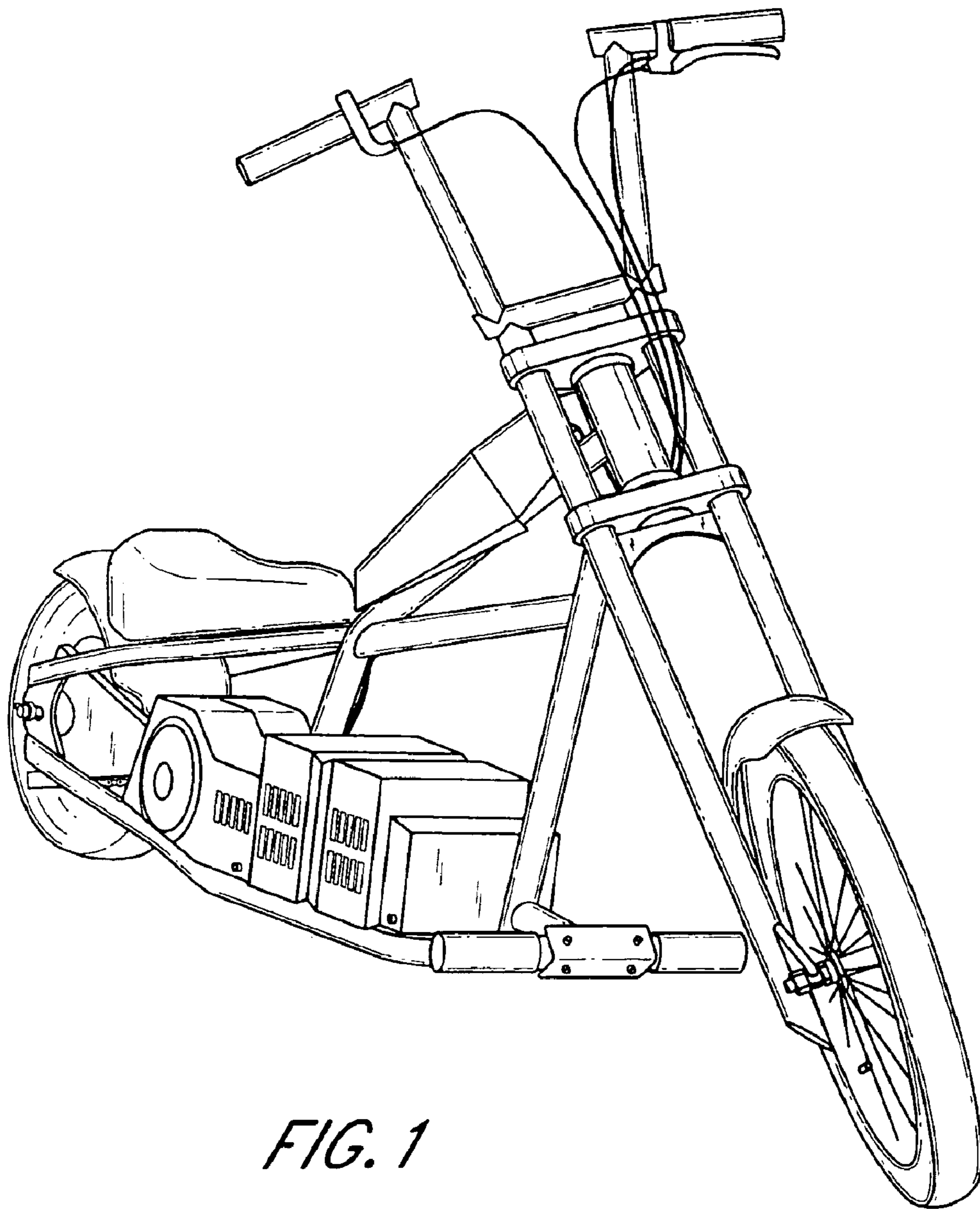


FIG. 1

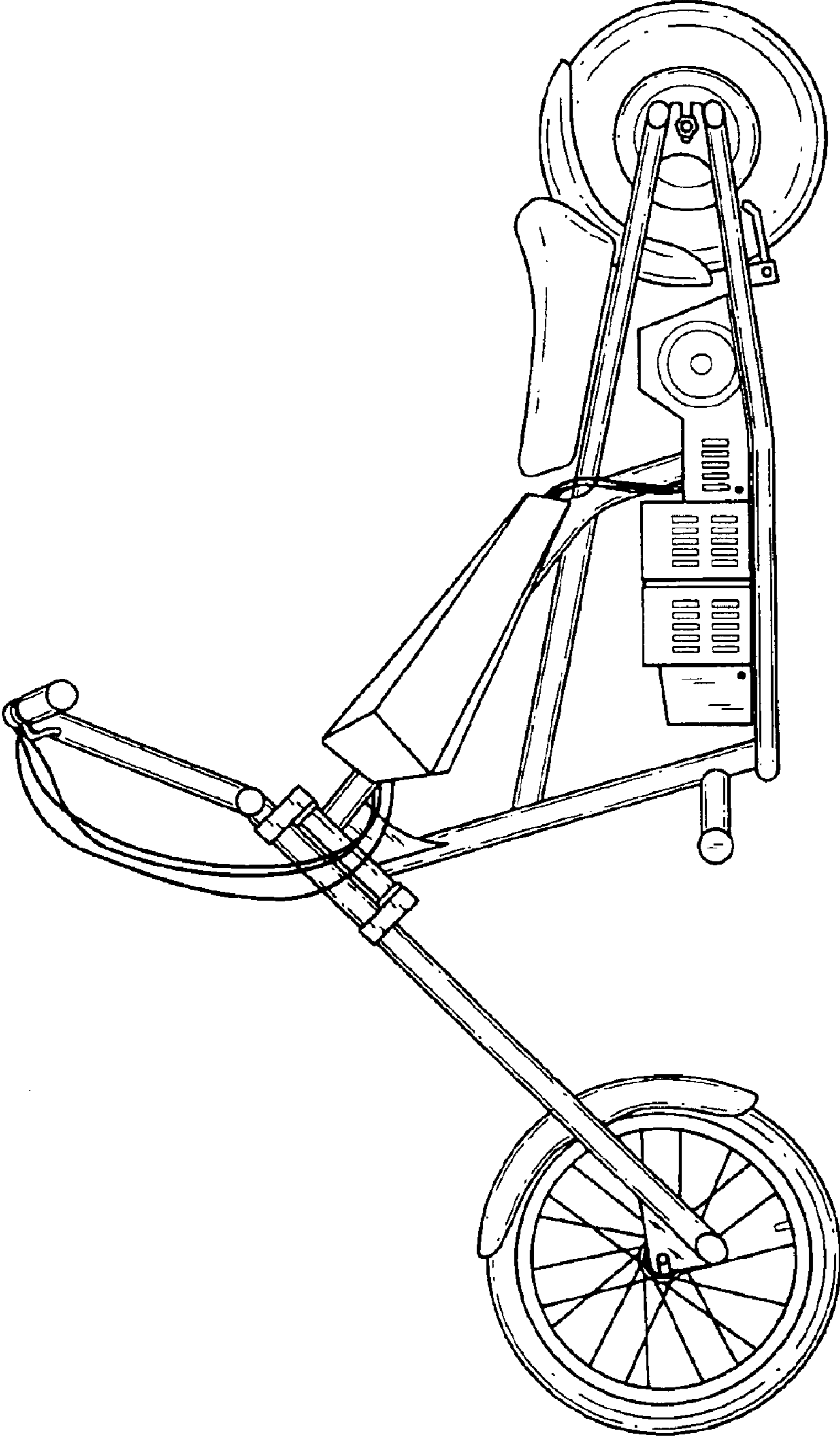


FIG. 2

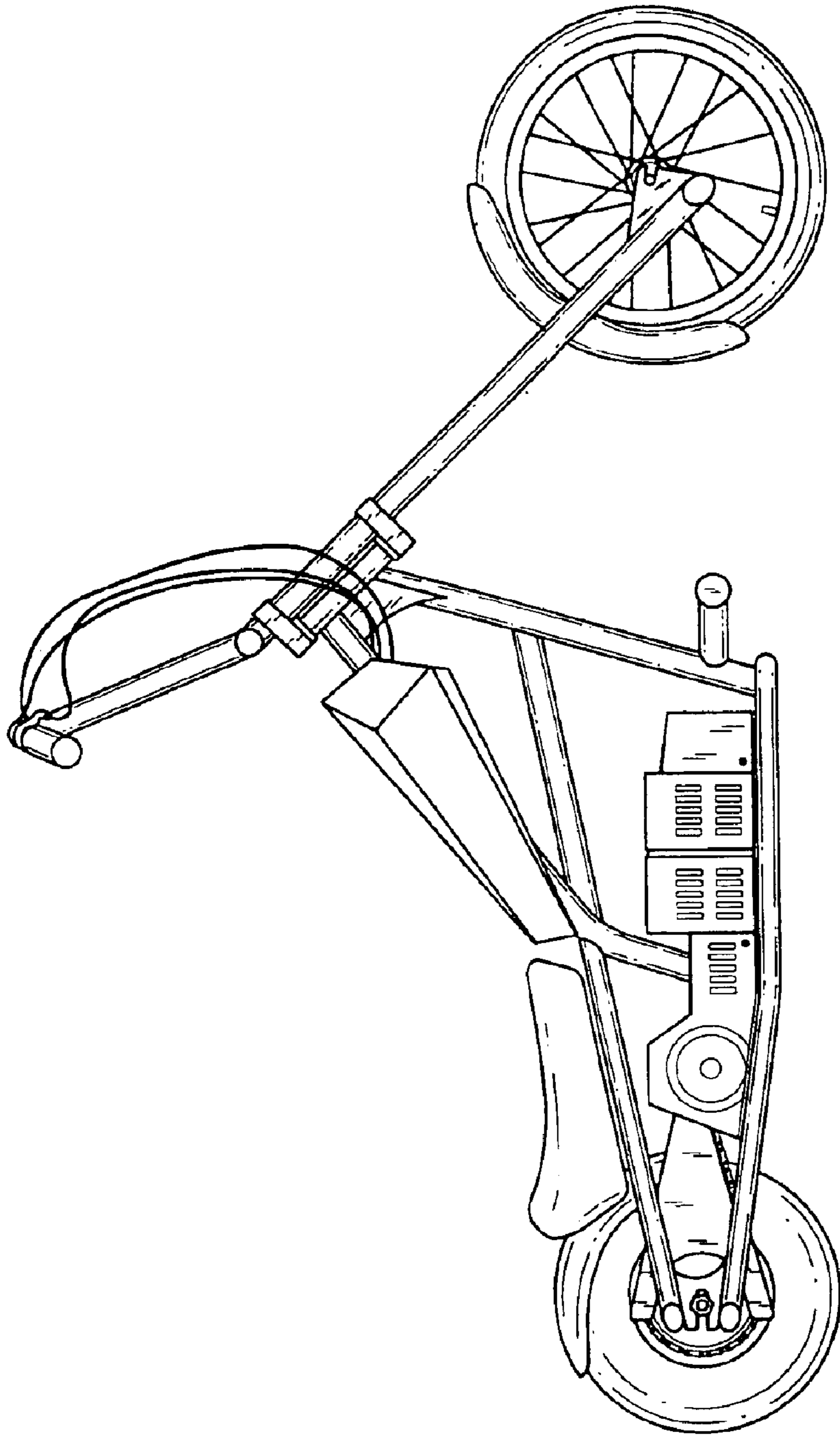


FIG. 3

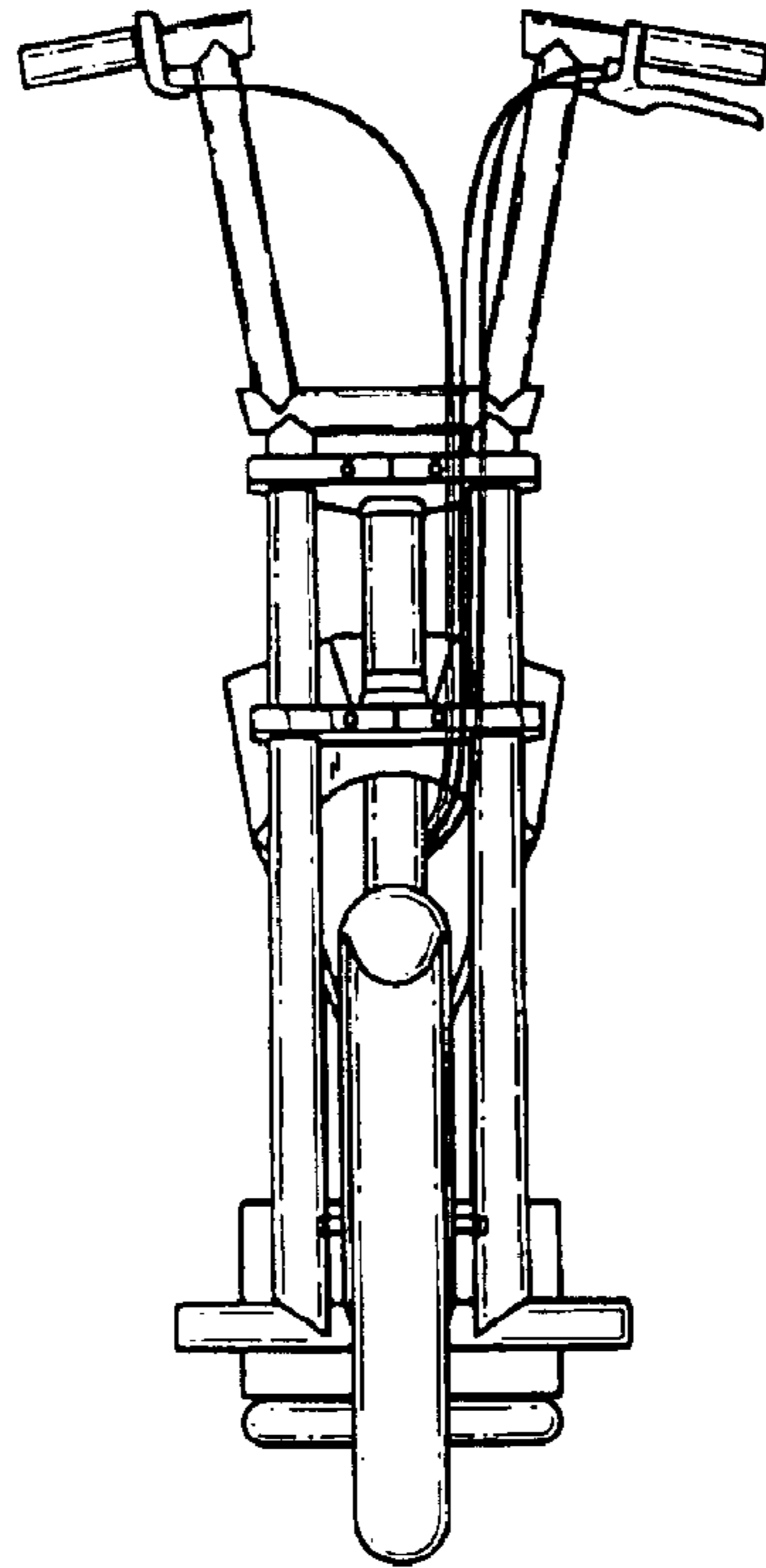


FIG. 4

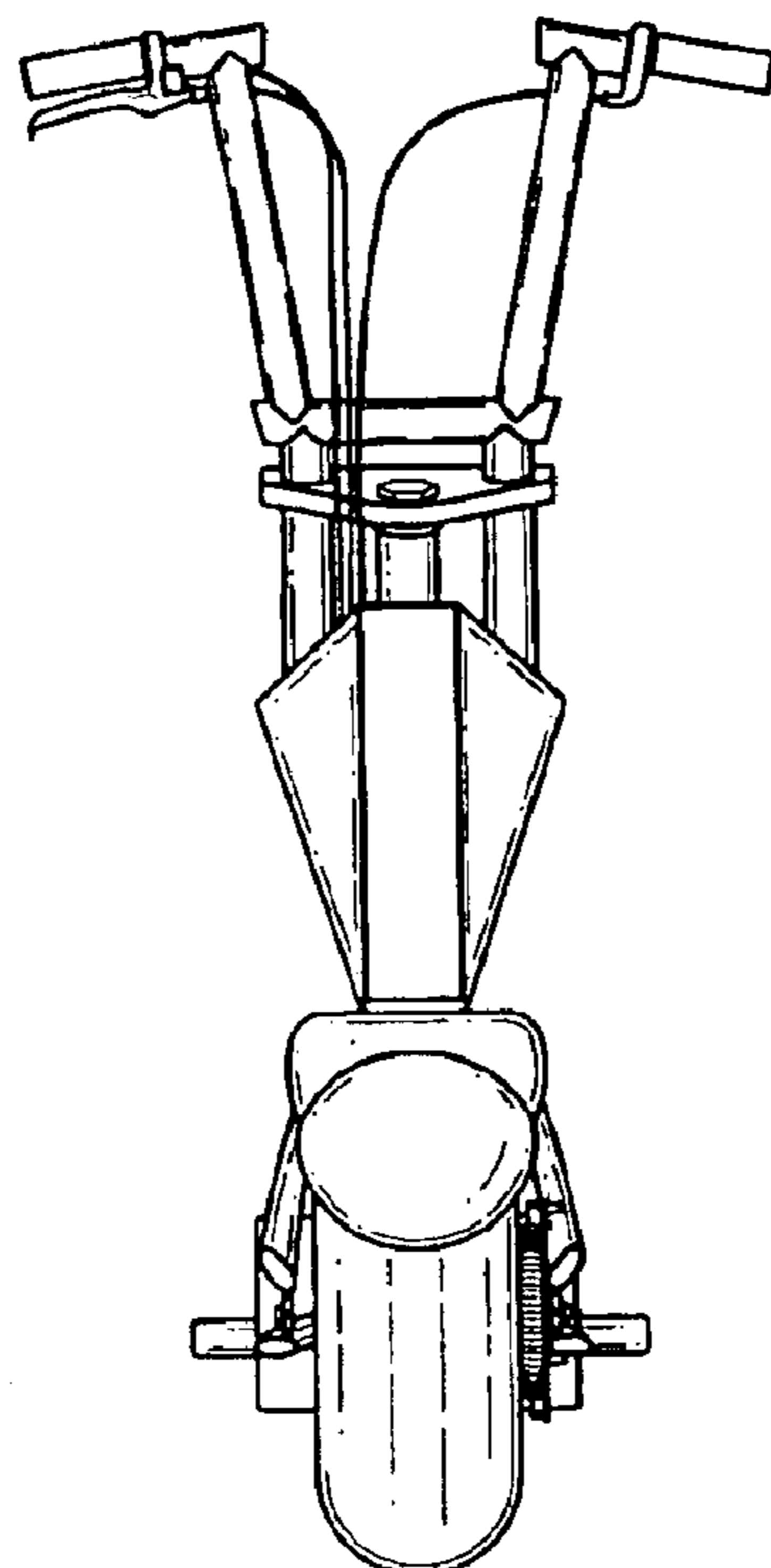


FIG. 5

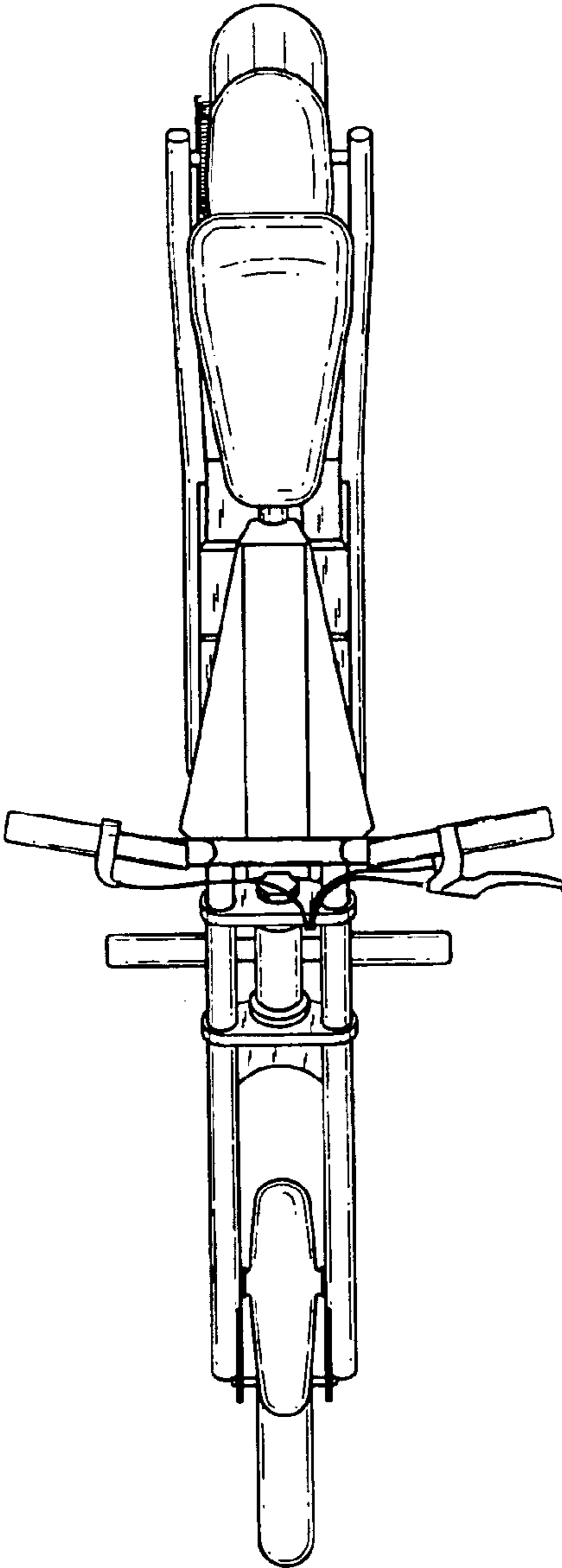


FIG. 6

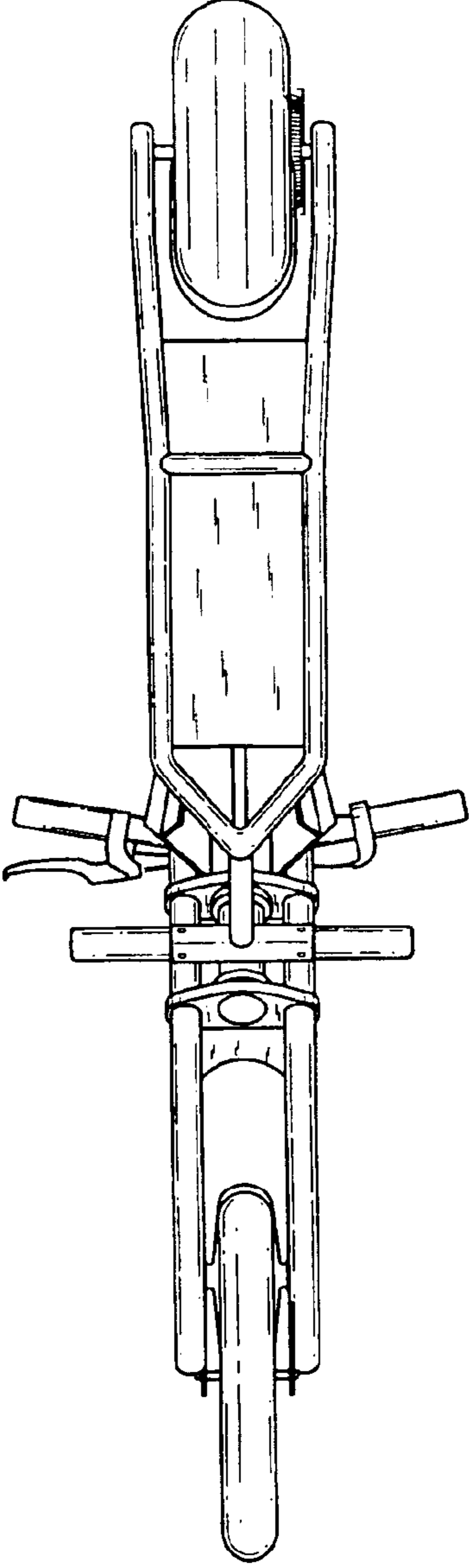


FIG. 7