

US00D504836S

(12) **United States Design Patent**  
**Wang**

(10) **Patent No.:** **US D504,836 S**

(45) **Date of Patent:** **\*\* May 10, 2005**

(54) **TAPE MEASURE**

6,807,747 B1 \* 10/2004 Hsu ..... 33/769

(76) **Inventor:** **Chien-Kuo Wang**, 58 , Ma Yuan West St., Taichung (TW)

\* cited by examiner

*Primary Examiner*—Antoine D. Davis

(\*\*) **Term:** **14 Years**

(57) **CLAIM**

(21) **Appl. No.:** **29/209,757**

The ornamental design for a tape measure, as shown and described.

(22) **Filed:** **Jul. 22, 2004**

(51) **LOC (7) Cl.** ..... **10-04**

**DESCRIPTION**

(52) **U.S. Cl.** ..... **D10/72**

FIG. 1 is a perspective view of a tape measure showing my design;

(58) **Field of Search** ..... D10/72; 33/755-769; 242/292, 381.1, 381.2, 381.3, 381.4, 381.5, 381.6

FIG. 2 is a front elevational view thereof;

FIG. 3 is a rear elevational view thereof;

FIG. 4 is a left side elevational view thereof;

FIG. 5 is a right side elevational view thereof;

FIG. 6 is a top plan view thereof; and,

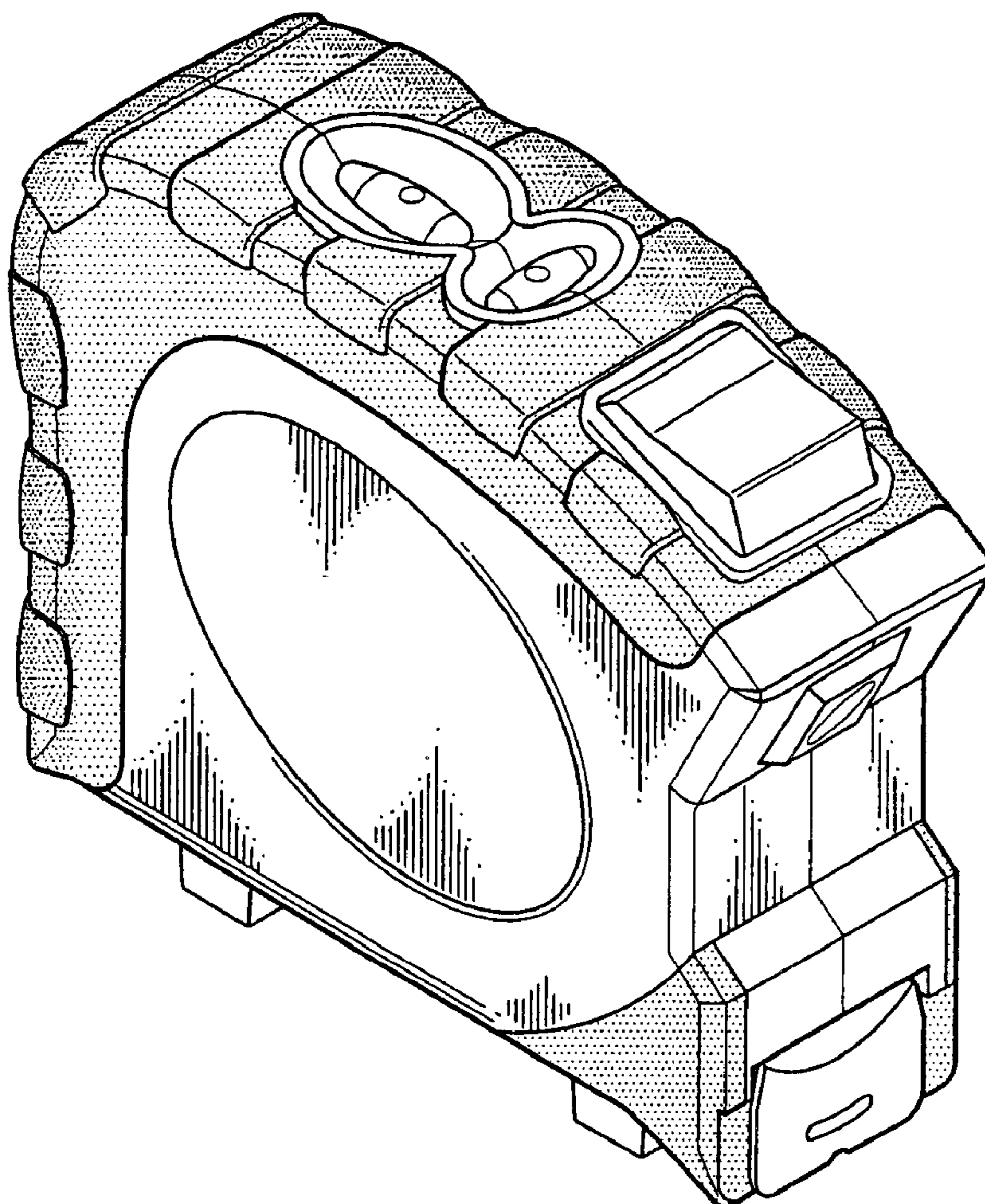
FIG. 7 is a bottom plan view thereof.

(56) **References Cited**

**U.S. PATENT DOCUMENTS**

D459,253 S \* 6/2002 von Wedemeyer ..... D10/72

**1 Claim, 4 Drawing Sheets**



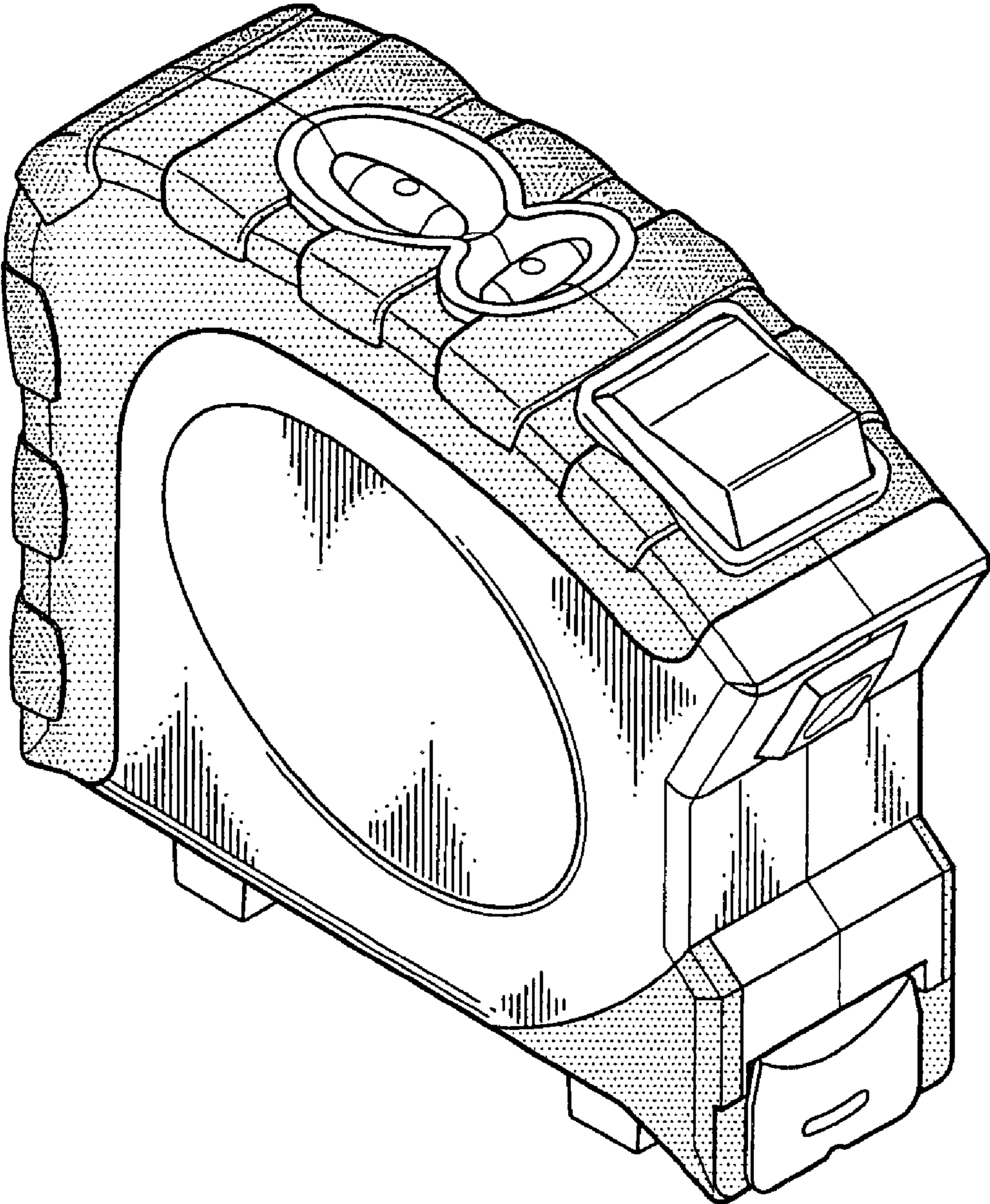


FIG. 1

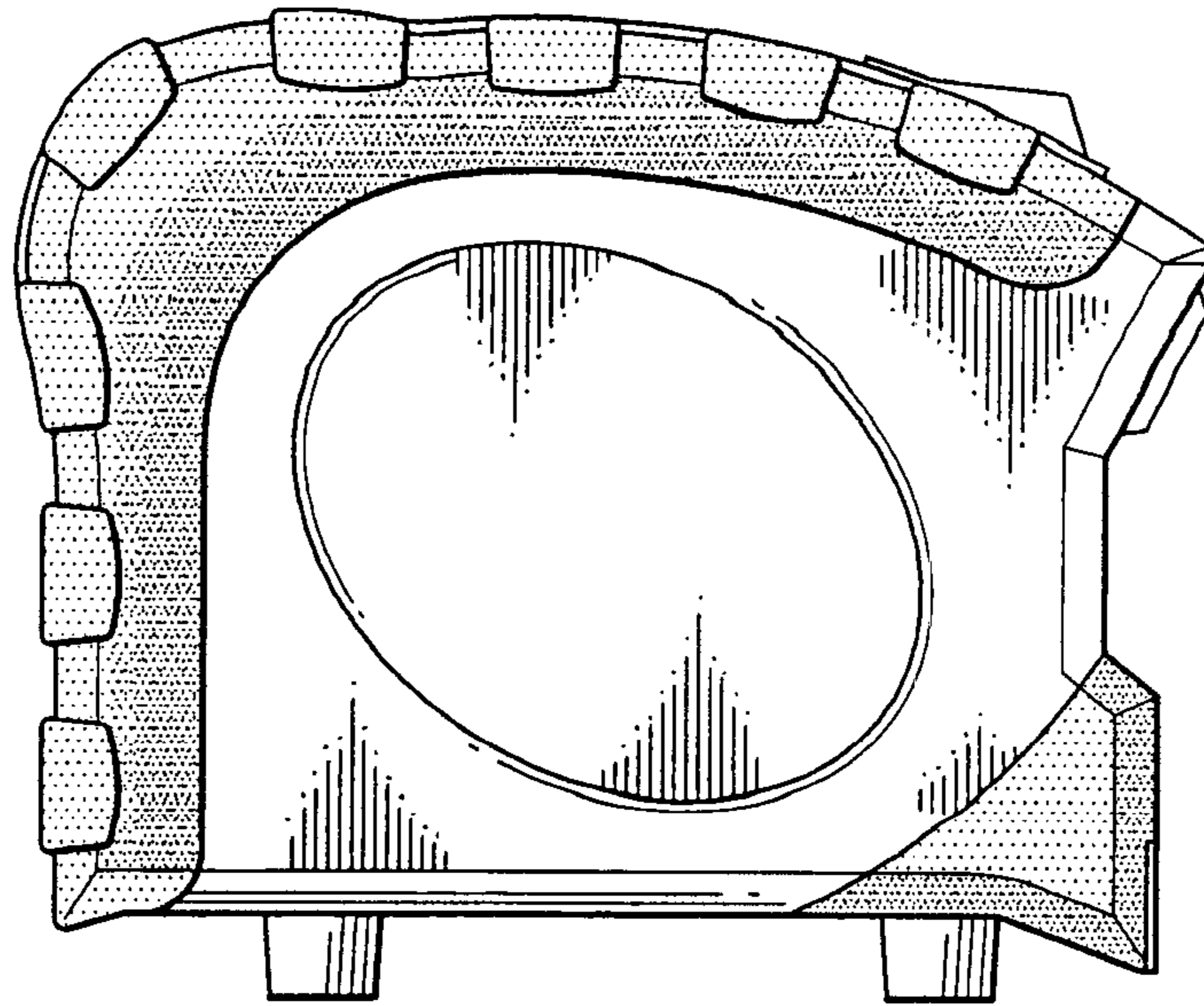


FIG. 2

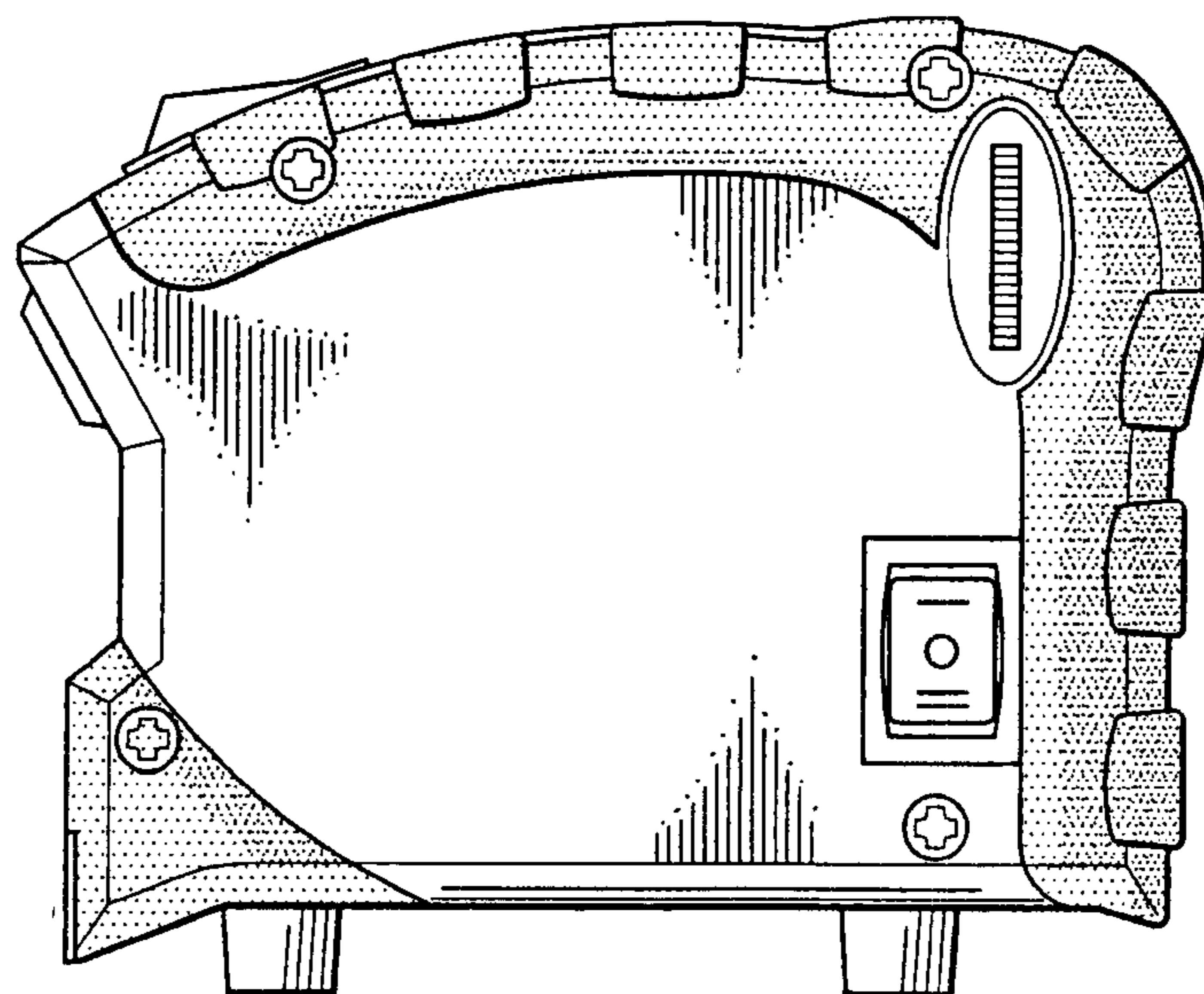


FIG. 3



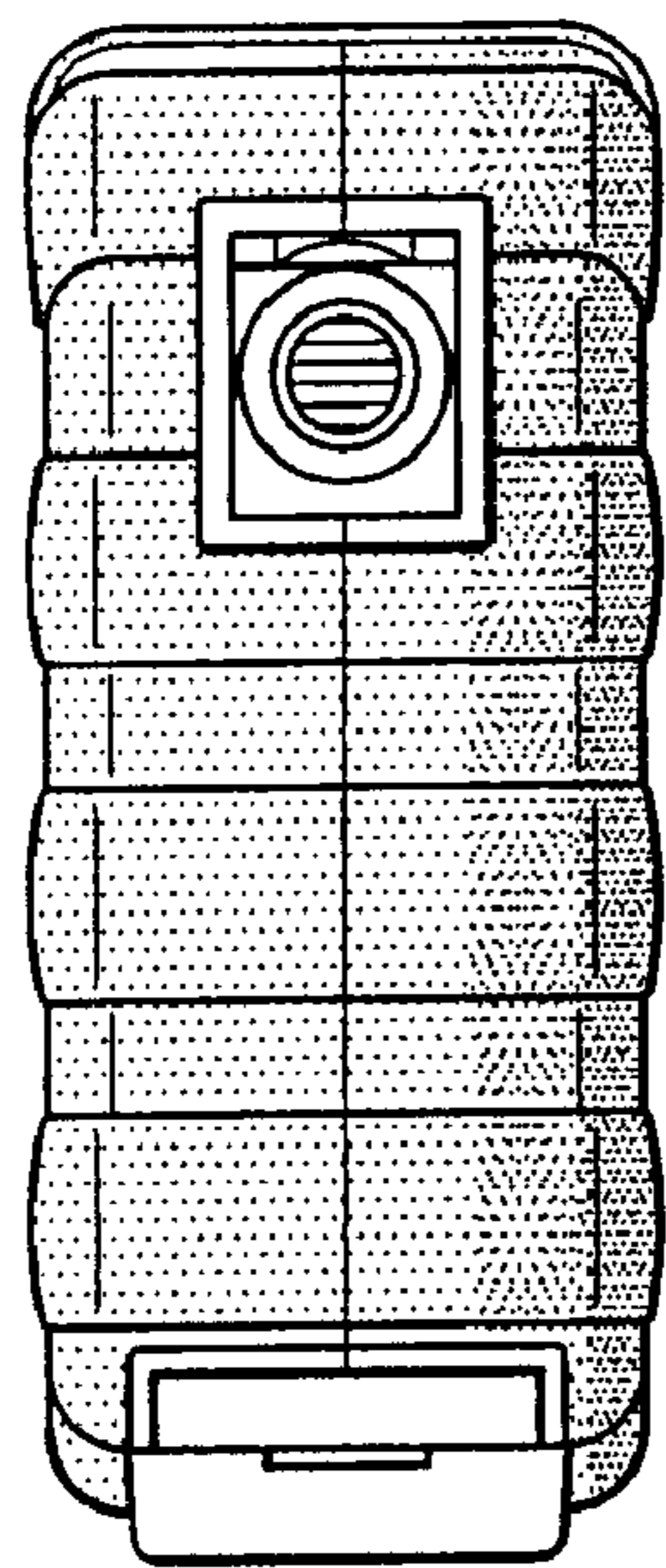


FIG. 4

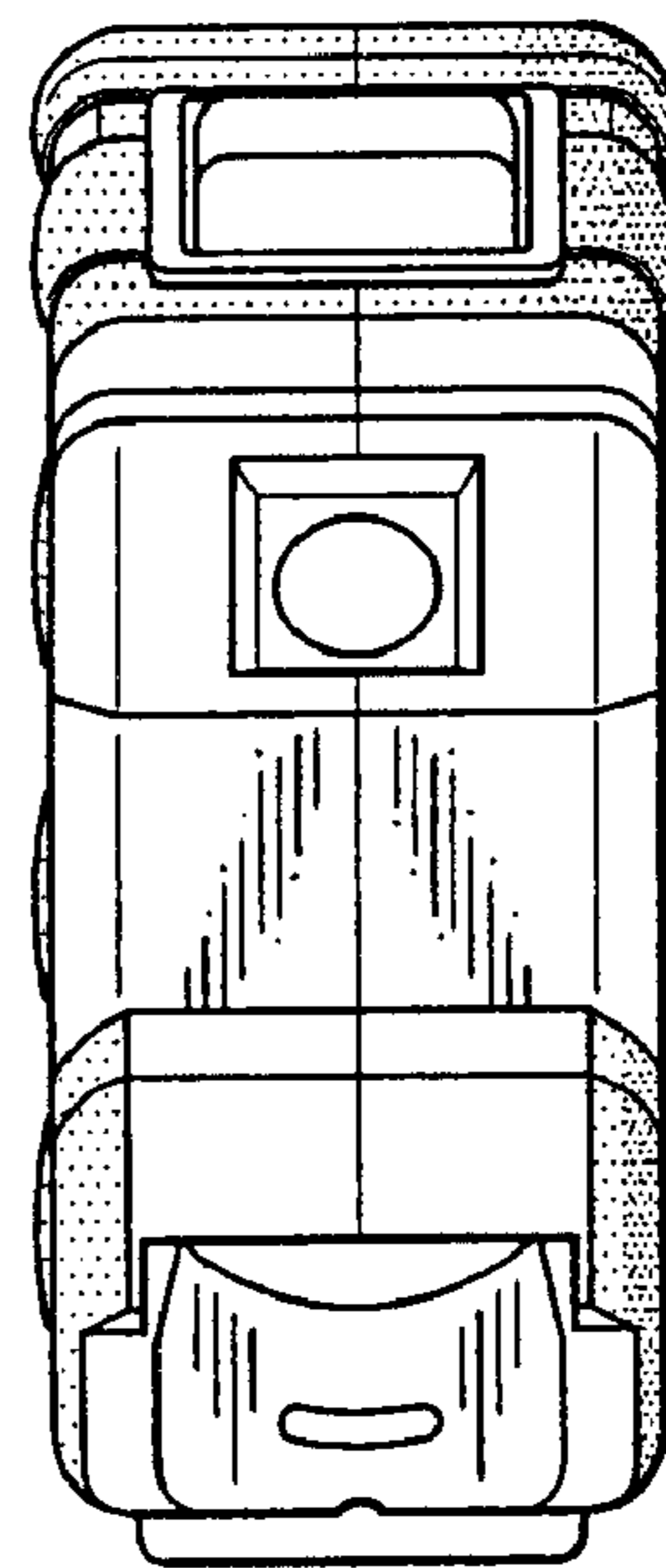


FIG. 5

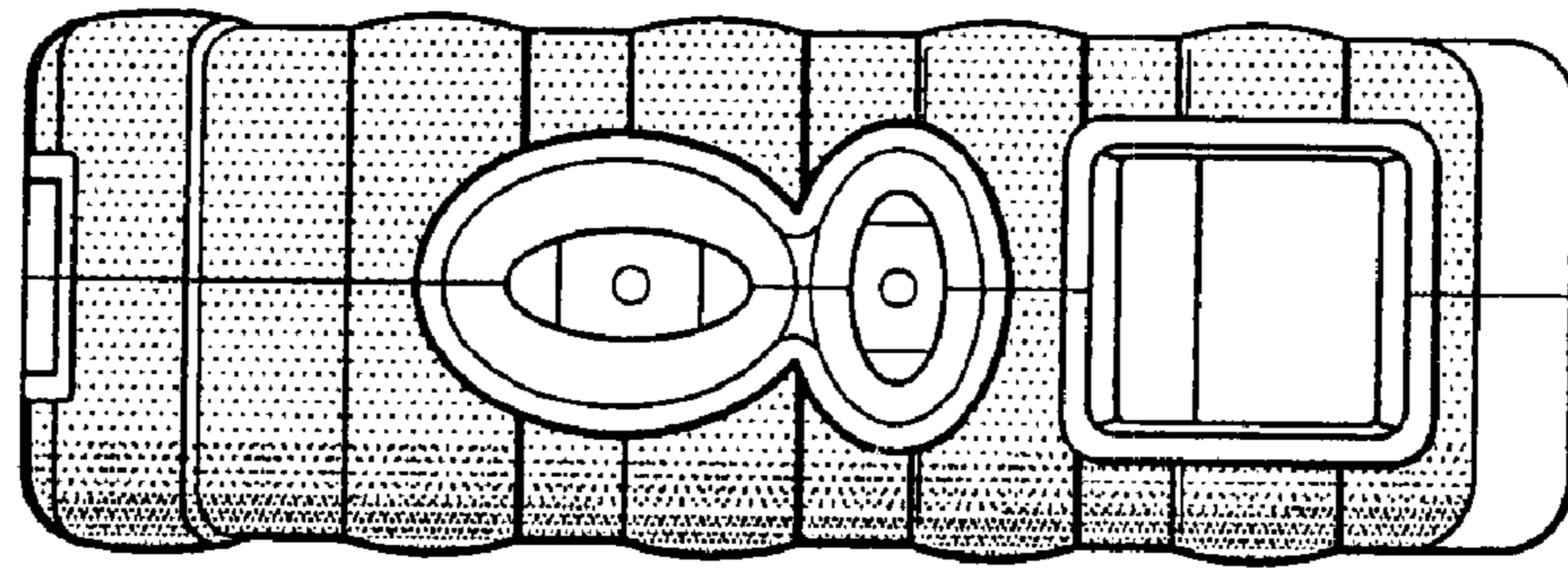


FIG. 6

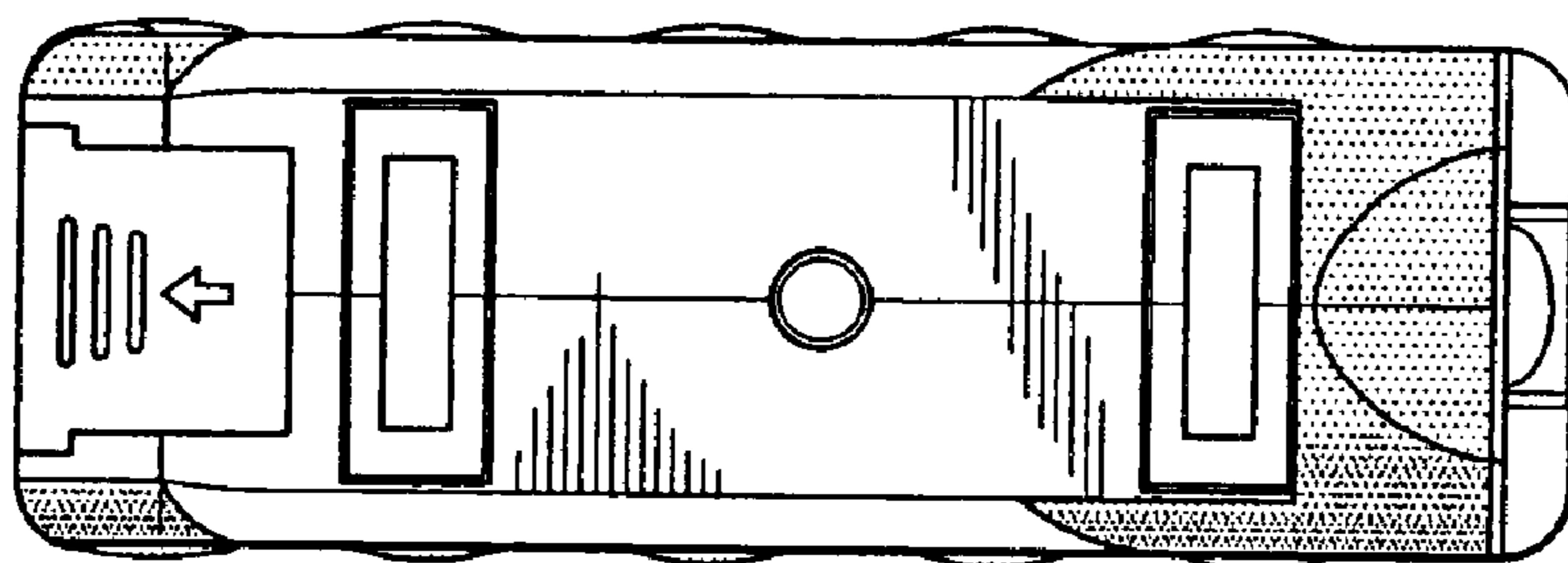


FIG. 7