

US00D504834S

(12) **United States Design Patent**
DeBoer et al.

(10) **Patent No.:** **US D504,834 S**

(45) **Date of Patent:** **** May 10, 2005**

(54) **LEVEL WITH KEYHOLE FINDER**

(75) Inventors: **Jeff DeBoer**, Ann Arbor, MI (US);
Michael Nellenbach, Clawson, MI (US)

(73) Assignee: **The Faucet-Queens, Inc.**, Vernon Hills, IL (US)

(**) Term: **14 Years**

(21) Appl. No.: **29/213,431**

(22) Filed: **Sep. 17, 2004**

(51) **LOC (7) Cl.** **10-04**

(52) **U.S. Cl.** **D10/69**

(58) **Field of Search** D10/69; 33/365,
33/366.11-366.27, 367-391

(56) **References Cited**

U.S. PATENT DOCUMENTS

D355,134 S * 2/1995 Kennedy D10/69

* cited by examiner

Primary Examiner—Antoine D. Davis

(74) *Attorney, Agent, or Firm*—Kwadjo Adusei-Poku;
Lloyd D. Doigan

(57) **CLAIM**

The ornamental design for a level with keyhole finder, as shown and described.

DESCRIPTION

FIG. 1 is a front perspective view of a level with keyhole finder showing our design;

FIG. 2 is a front elevational view thereof;

FIG. 3 is a rear elevational view thereof;

FIG. 4 is a top plan view thereof;

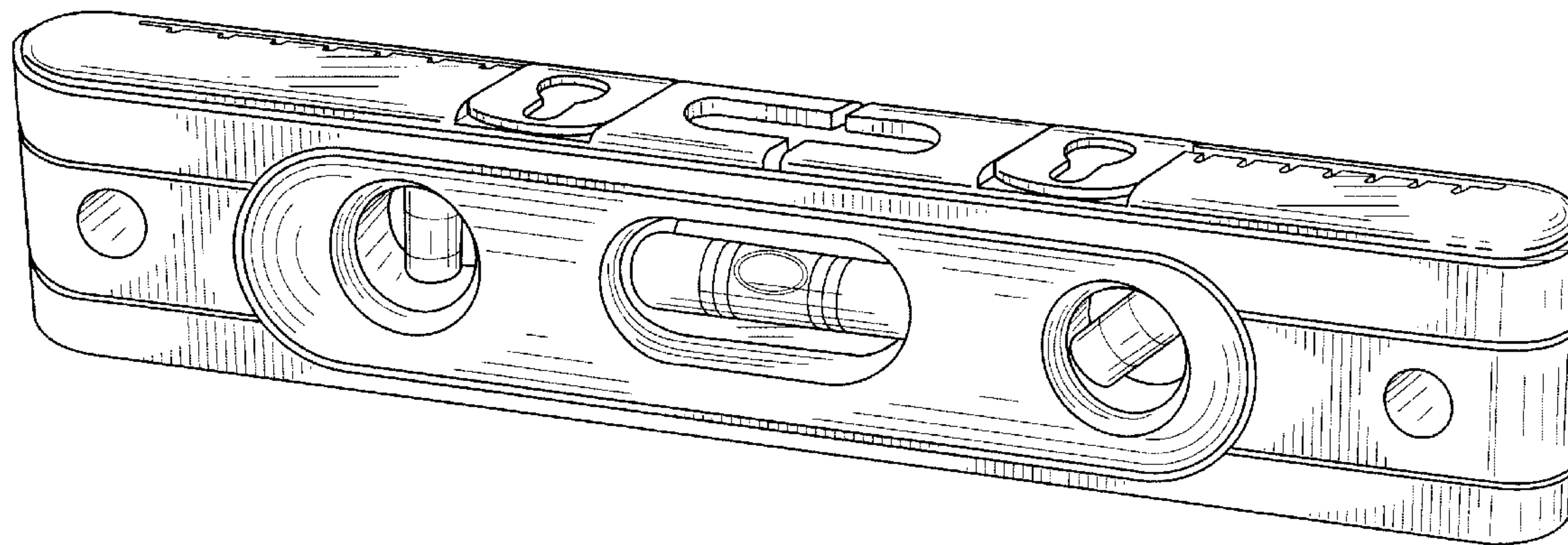
FIG. 5 is a bottom plan view thereof

FIG. 6 is a left side elevational view thereof;

FIG. 7 is a right side elevational view thereof; and,

FIG. 8 is a front perspective view showing the keyhole finder, in the elevated position.

1 Claim, 5 Drawing Sheets



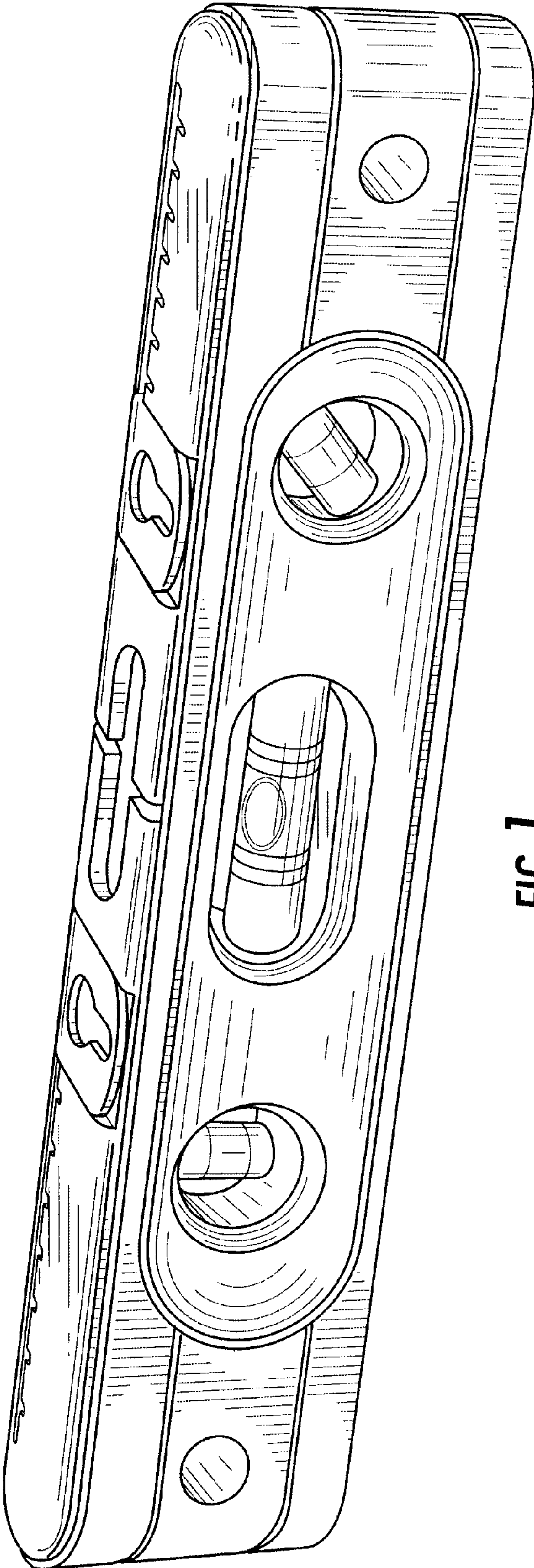


FIG. 1

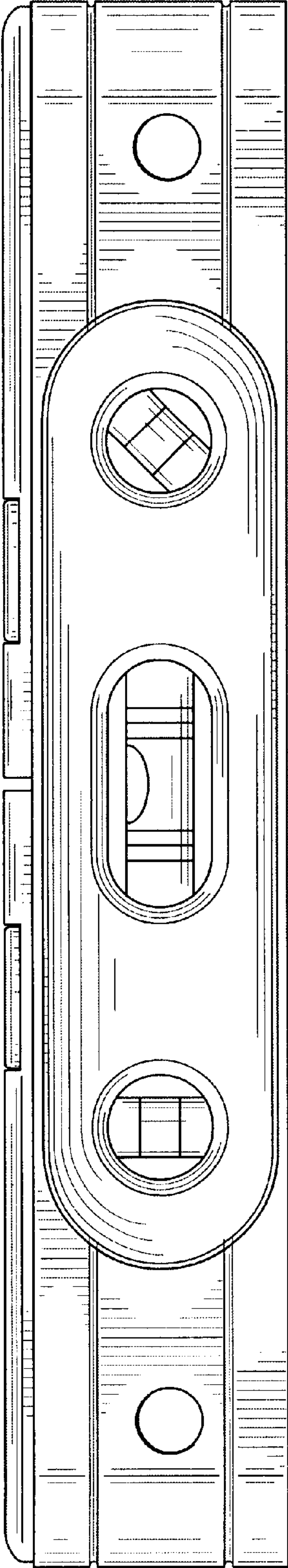


FIG. 2

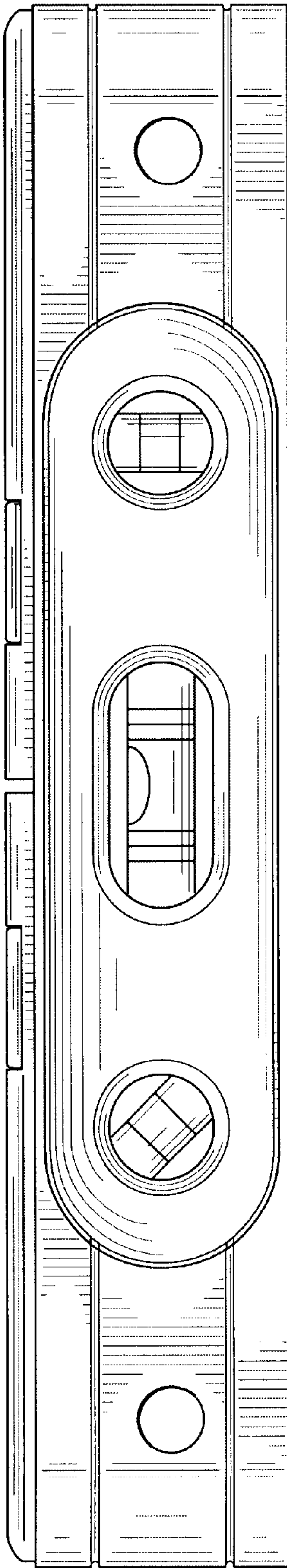


FIG. 3

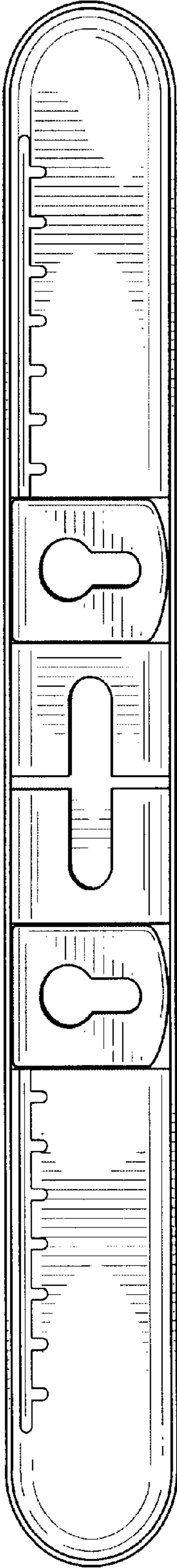


FIG. 4

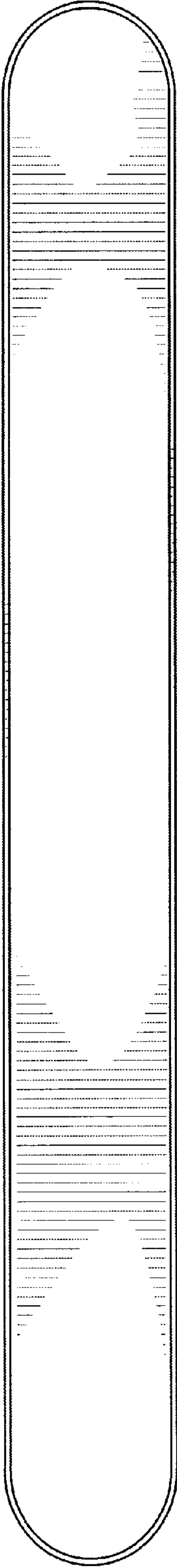


FIG. 5

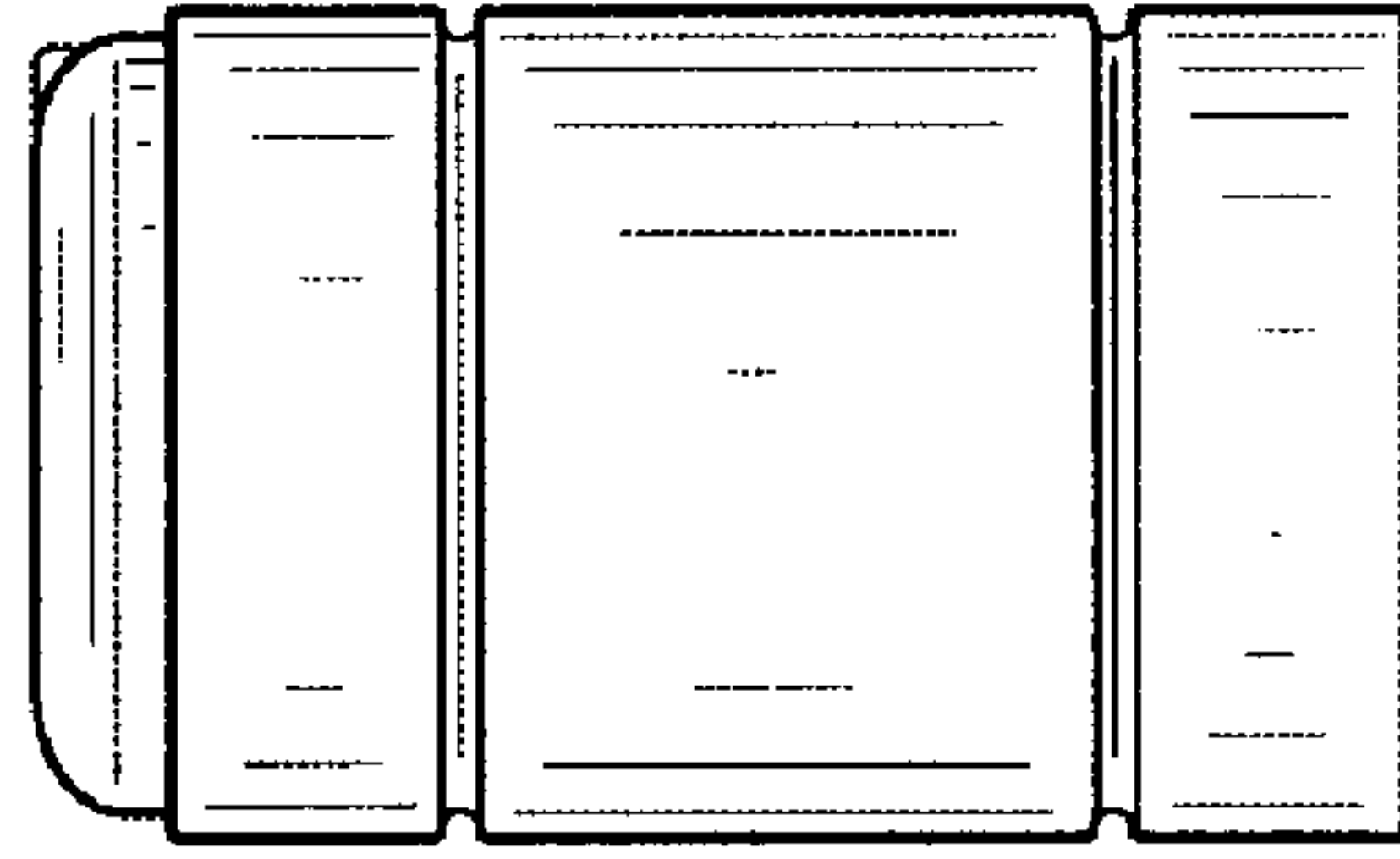


FIG. 7

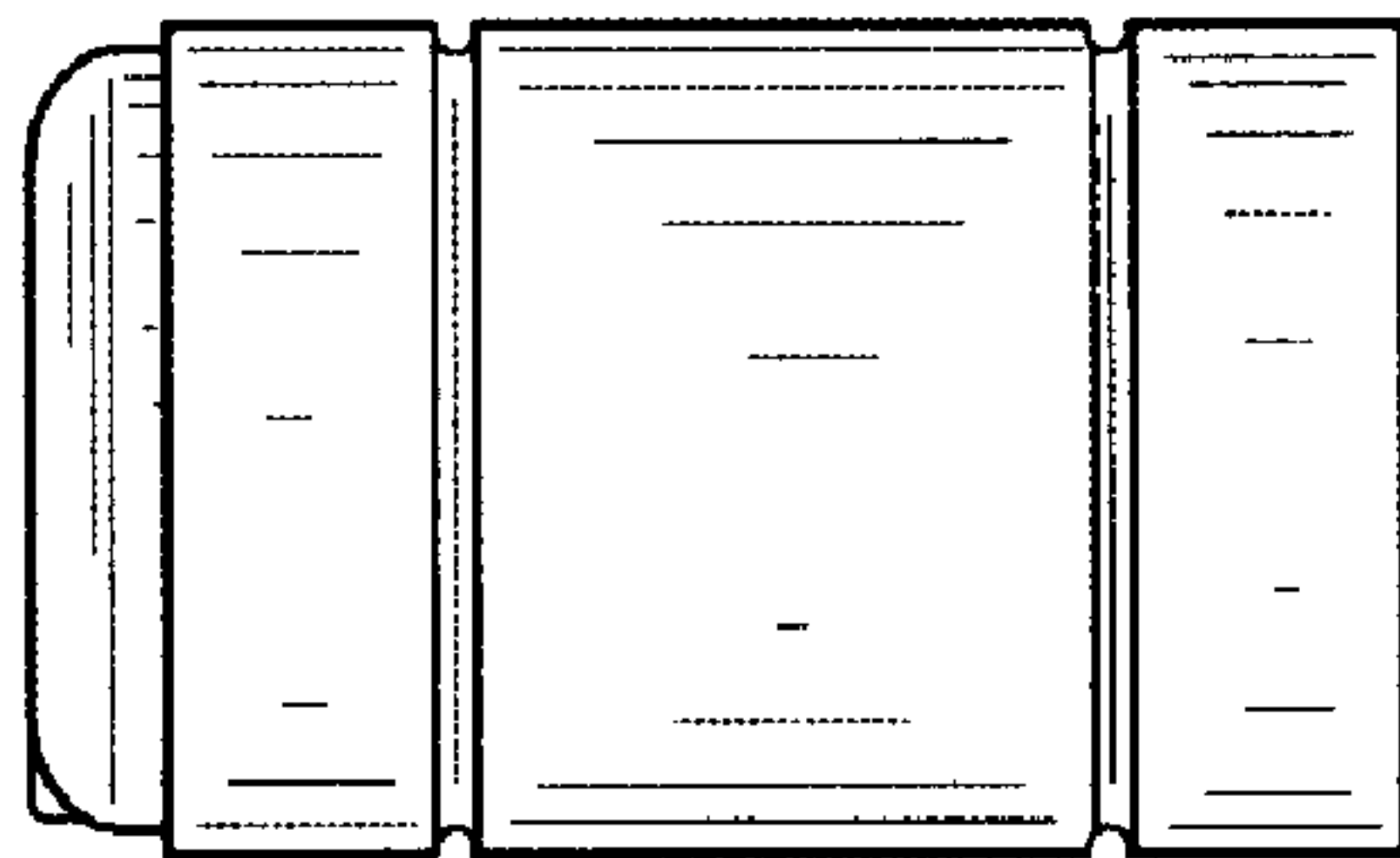


FIG. 6

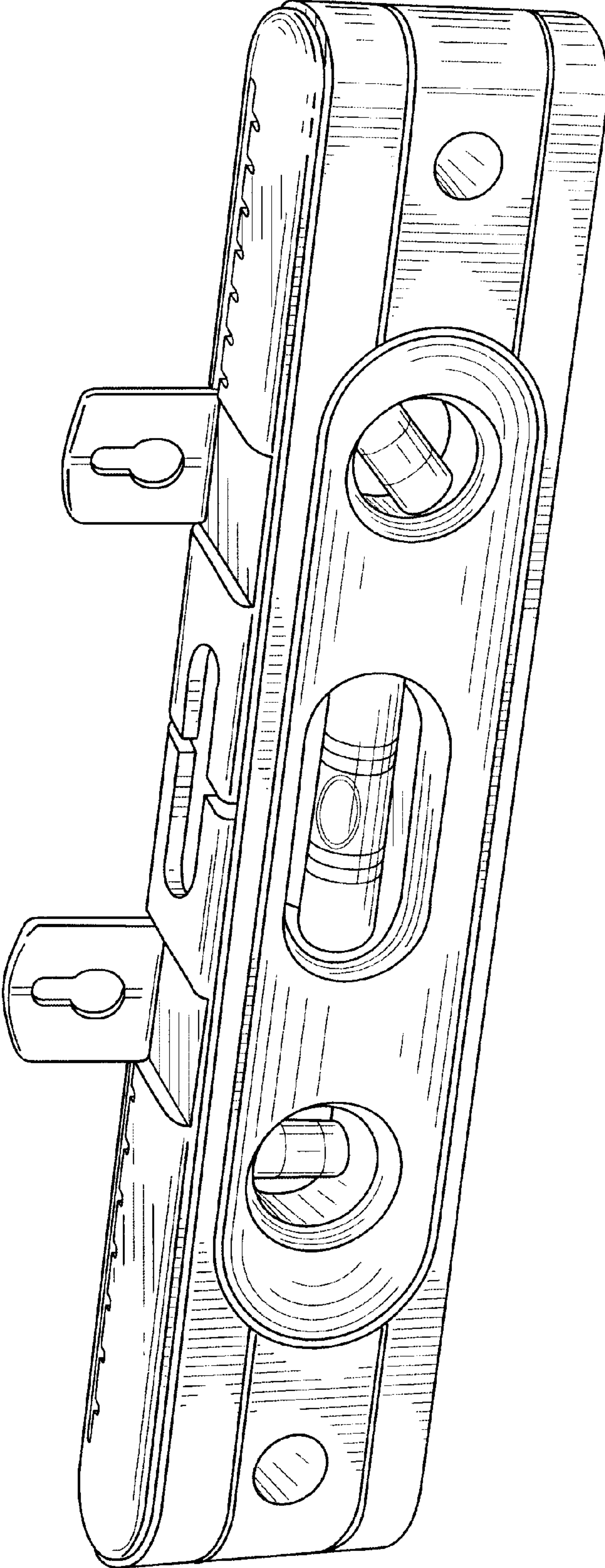


FIG. 8