



US00D504833S

(12) **United States Design Patent**
Chou

(10) **Patent No.:** **US D504,833 S**

(45) **Date of Patent:** **** May 10, 2005**

(54) **LASER LEVELING DEVICE**

6,763,596 B1 * 7/2004 Puri et al. 33/286

(76) **Inventor:** **Chiu Yen Chou**, P.O. Box 63-99,
Taichung (TW), 406

* cited by examiner

Primary Examiner—Antoine D. Davis

(**) **Term:** **14 Years**

(57) **CLAIM**

The ornamental design for a laser leveling device, as shown and described.

(21) **Appl. No.:** **29/212,017**

(22) **Filed:** **Aug. 26, 2004**

DESCRIPTION

(51) **LOC (7) Cl.** **10-04**

FIG. 1 is a perspective view of a laser leveling device showing my new design;

(52) **U.S. Cl.** **D10/69**

FIG. 2 is a front elevational view thereof;

(58) **Field of Search** D10/69; 33/391,

FIG. 3 is a rear elevational view thereof;

33/398, 399, 402, 366.24

FIG. 4 is a top plan view thereof;

(56) **References Cited**

FIG. 5 is a bottom plan view thereof;

U.S. PATENT DOCUMENTS

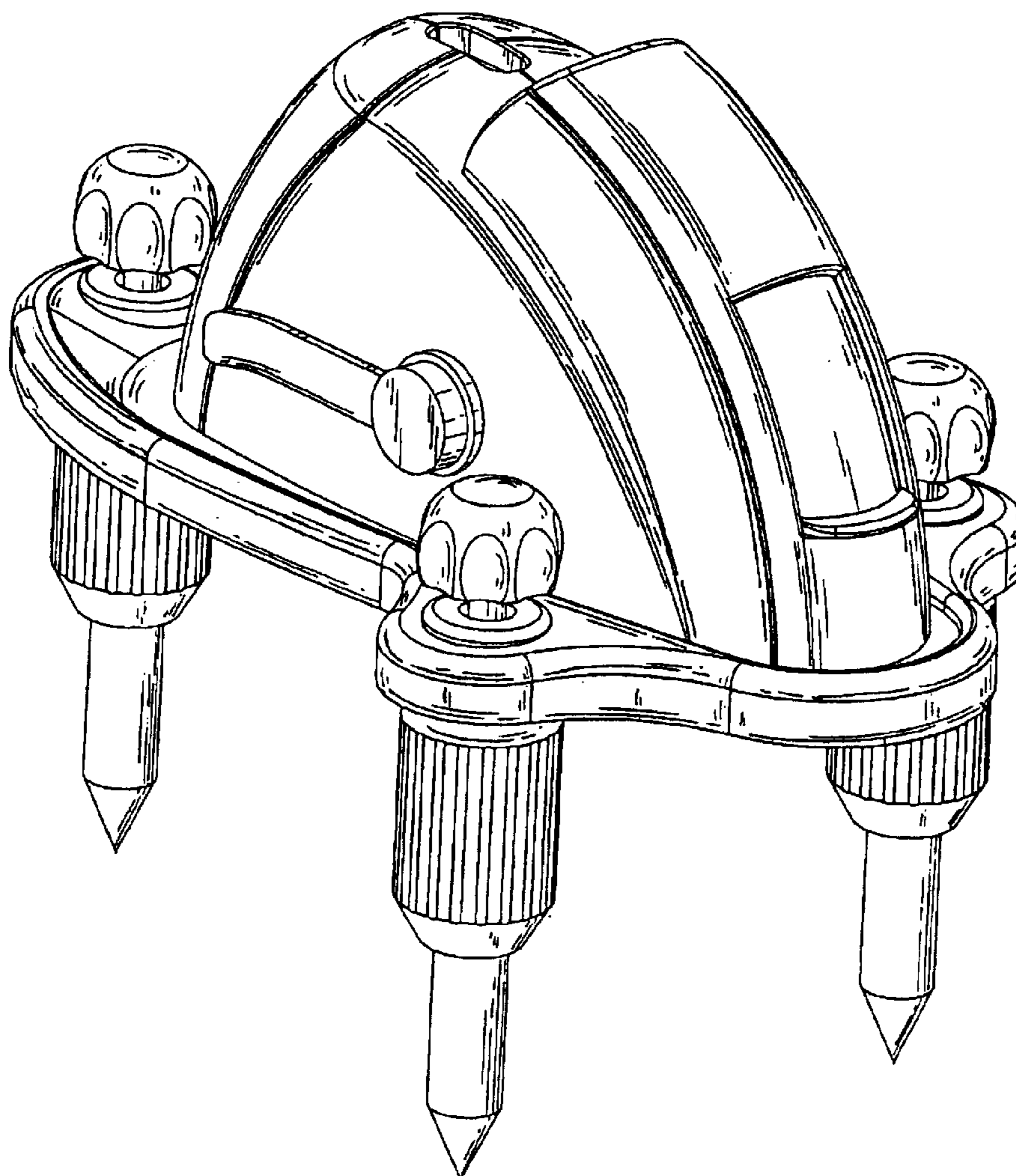
FIG. 6 is a left side elevational view thereof; and,

FIG. 7 is a right side elevational view thereof.

D116,941 S * 10/1939 Van Gaasbeek D10/69

D396,817 S * 8/1998 Webb D10/69

1 Claim, 7 Drawing Sheets



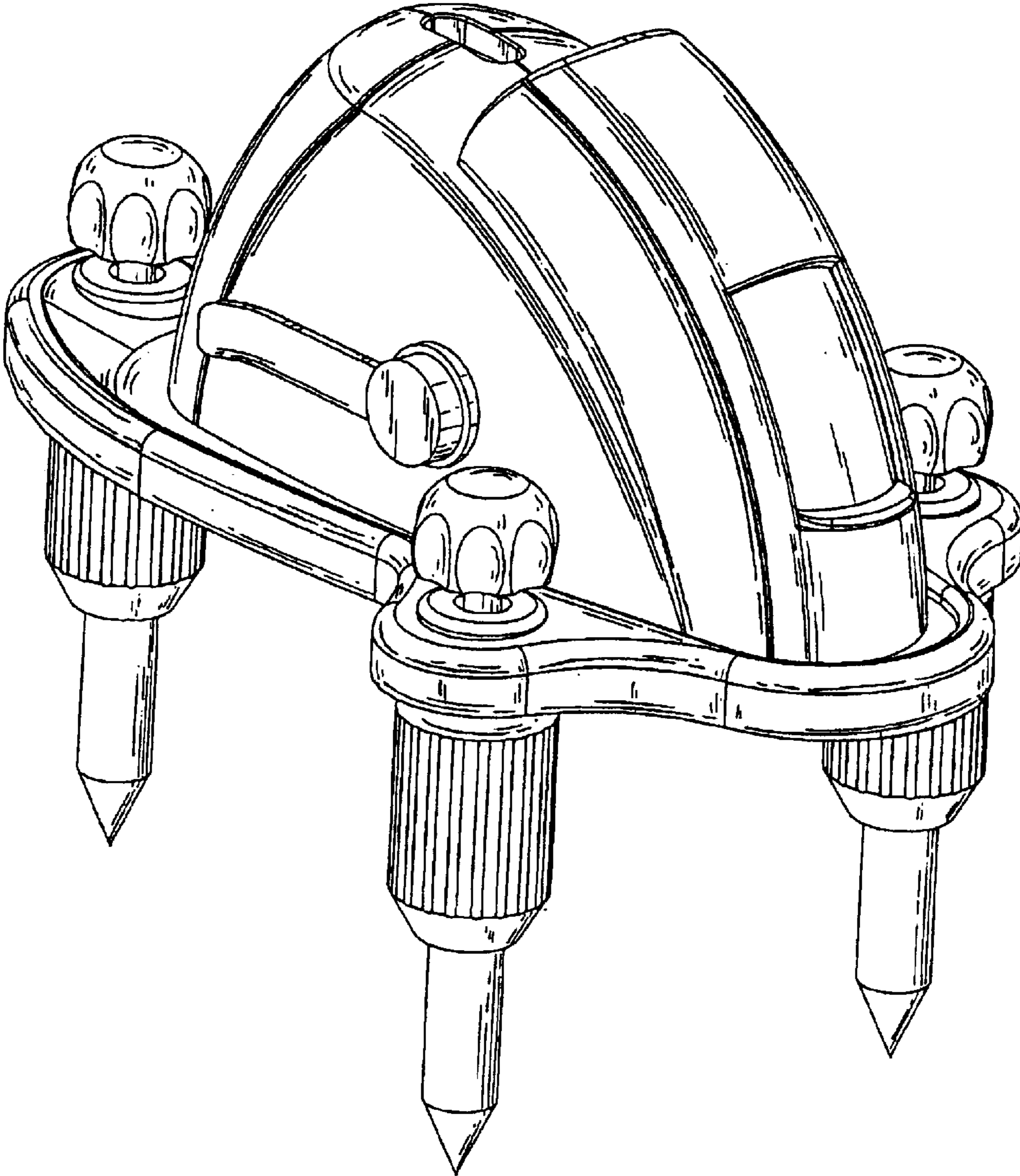


FIG. 1

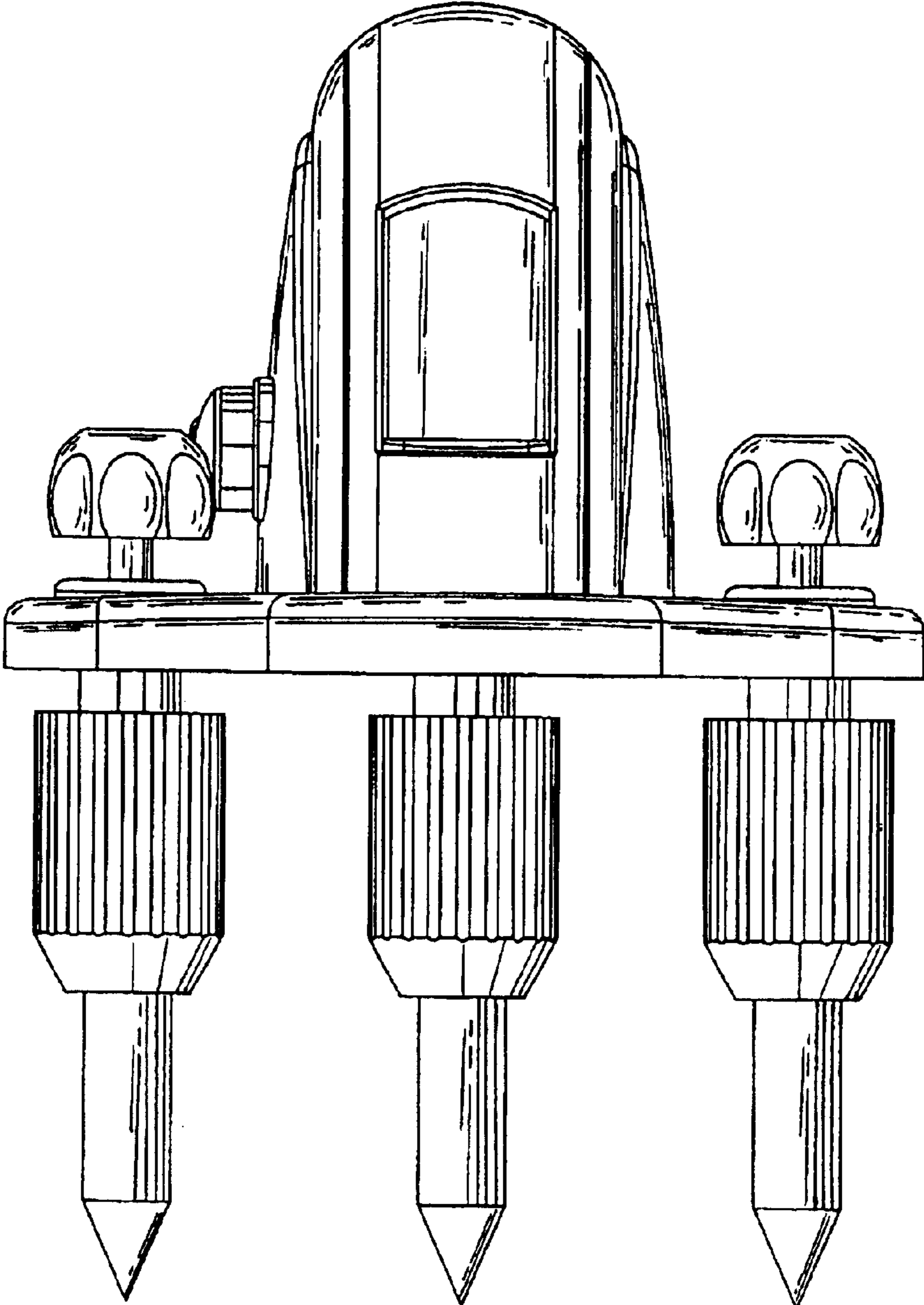


FIG. 2

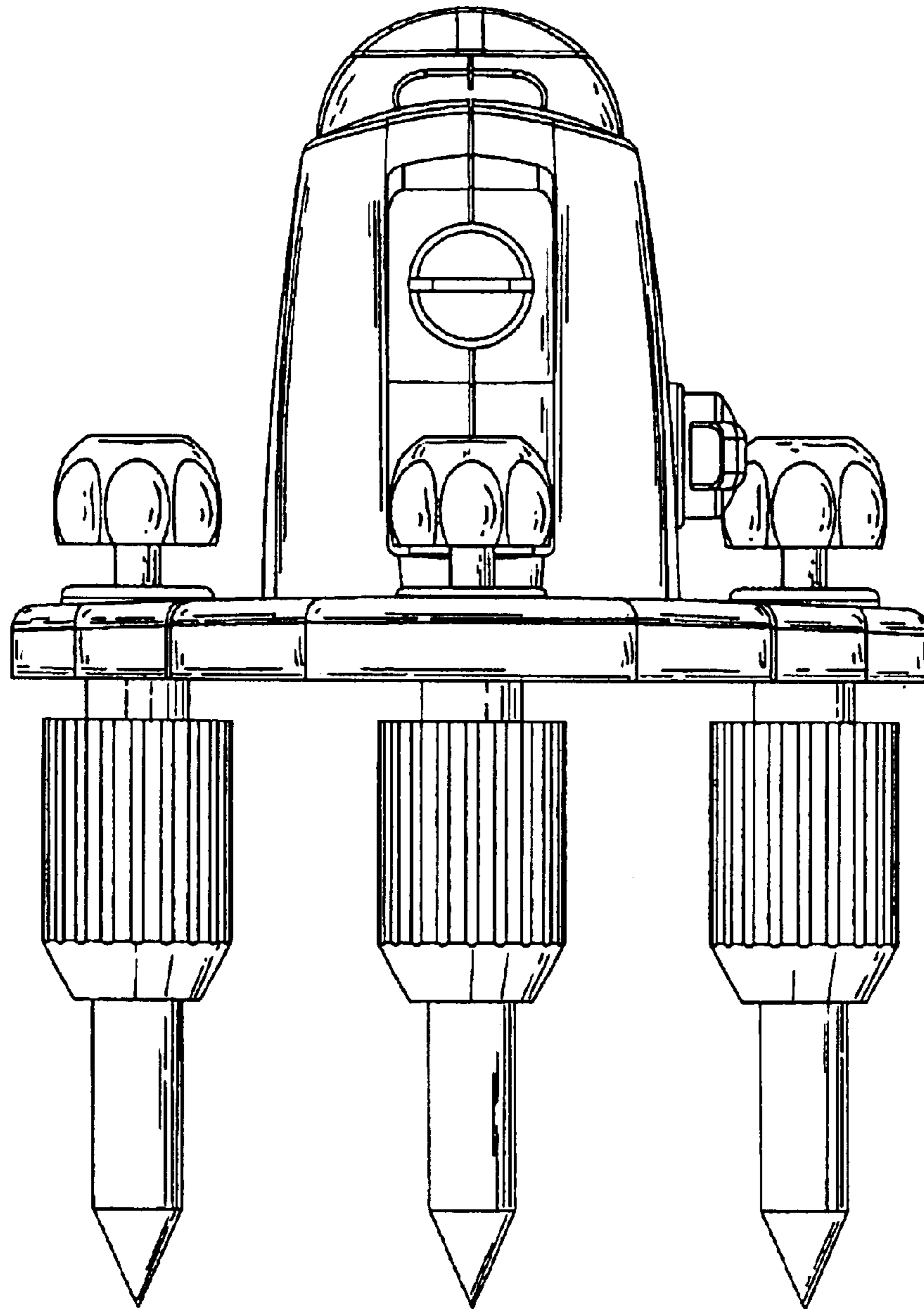


FIG. 3

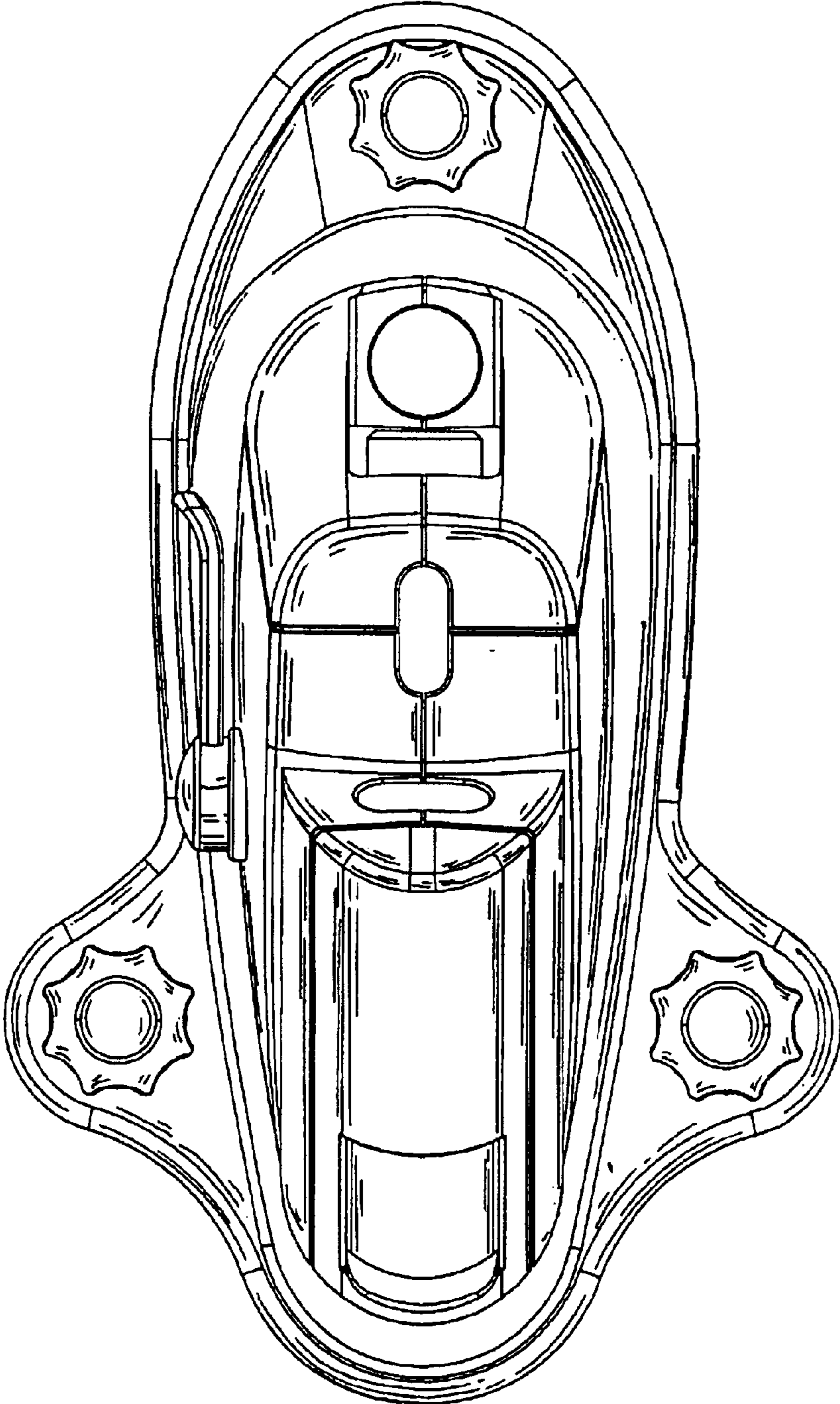


FIG. 4

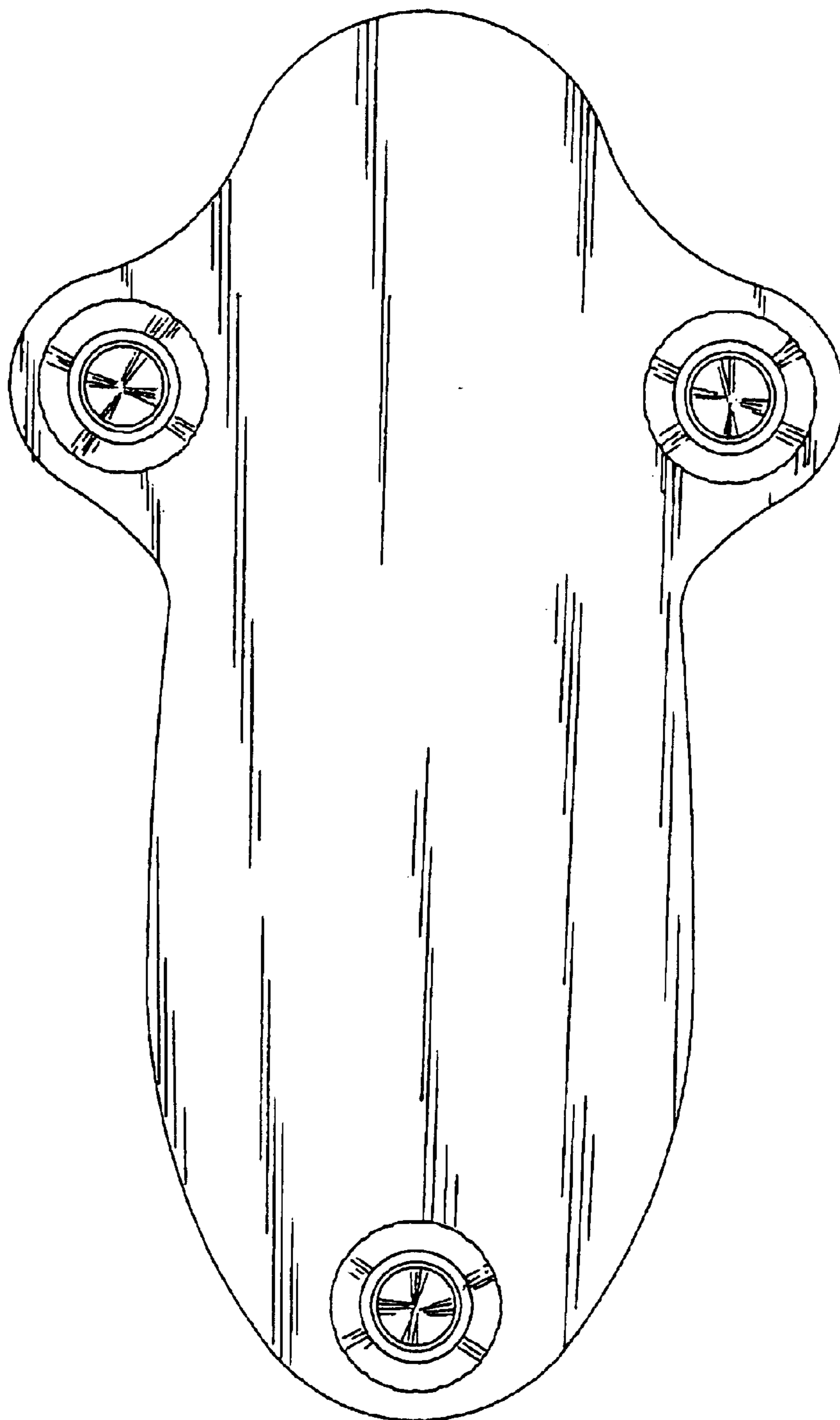


FIG. 5

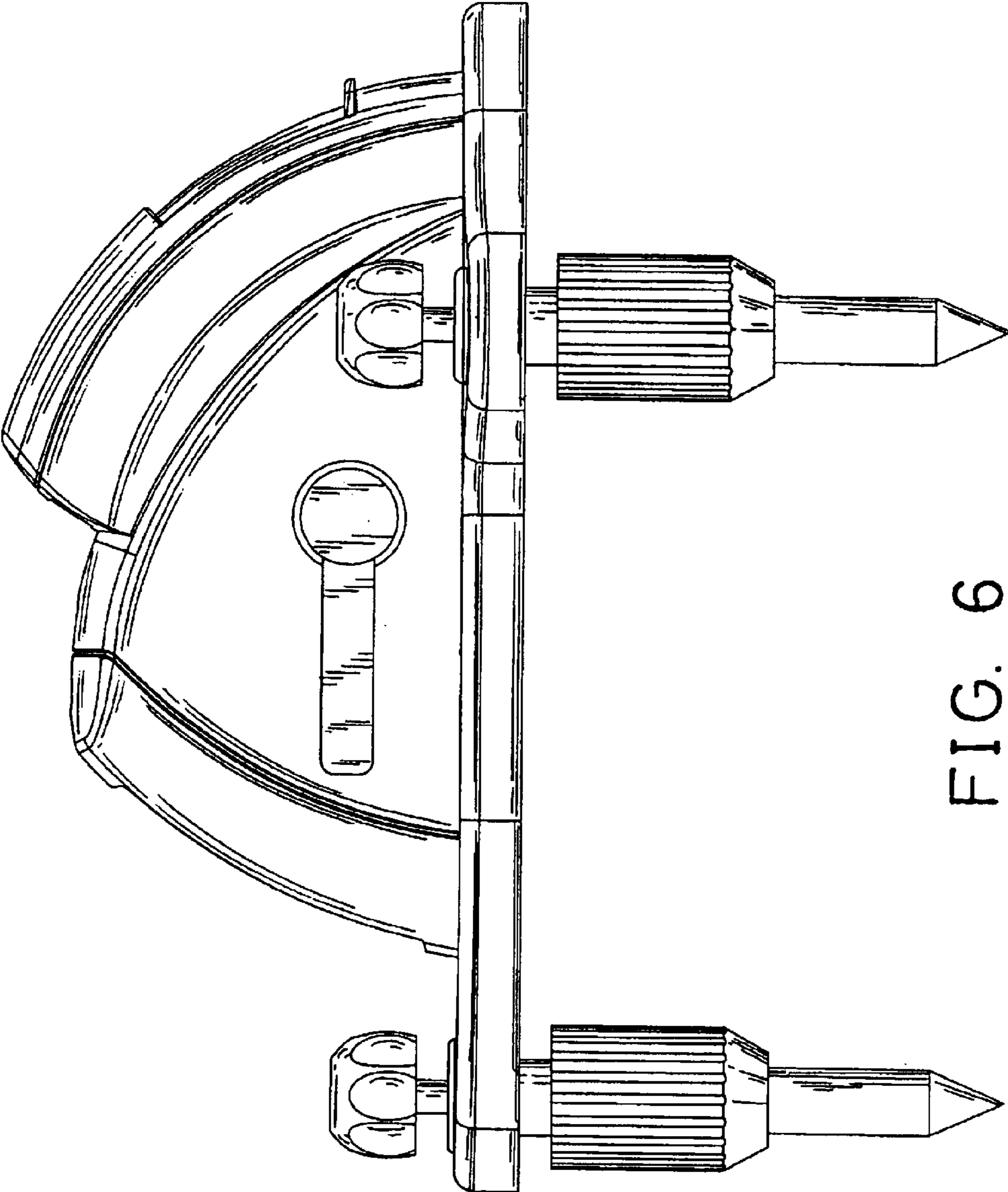


FIG. 6

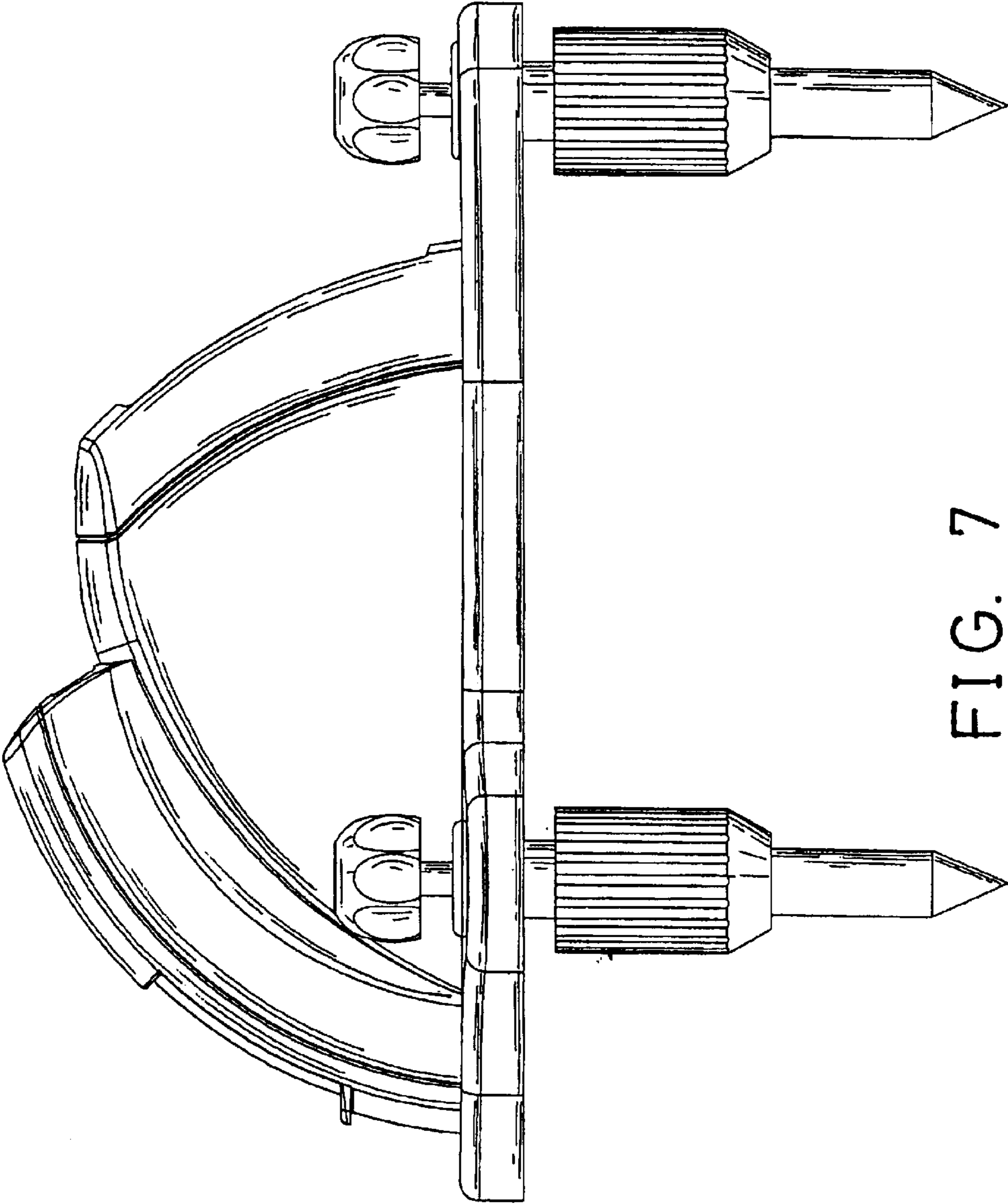


FIG. 7