



US00D504832S

(12) **United States Design Patent**
Snider et al.

(10) **Patent No.:** **US D504,832 S**
(45) **Date of Patent:** **** May 10, 2005**

(54) **LEVEL**

(75) Inventors: **G. Scott Snider**, Bel Air, MD (US);
Oleksiy P. Sergyeyenko, Brockville
(CA)

(73) Assignee: **Black & Decker Inc.**, Newark, DE
(US)

(**) Term: **14 Years**

(21) Appl. No.: **29/210,928**

(22) Filed: **Aug. 9, 2004**

(51) **LOC (7) Cl.** **10-04**

(52) **U.S. Cl.** **D10/69**

(58) **Field of Search** D10/69; 33/365,
33/366.11-366.27, 367-391

(56) **References Cited**

U.S. PATENT DOCUMENTS

6,643,940 B1 * 11/2003 Donath et al. 33/290

* cited by examiner

Primary Examiner—Antoine D. Davis
(74) *Attorney, Agent, or Firm*—Adan Ayala

(57) **CLAIM**

The ornamental design for a level, as shown and described.

DESCRIPTION

FIG. 1 is a perspective view of a level according to the invention.

FIG. 2 is a front elevational view thereof.

FIG. 3 is a rear elevational view thereof.

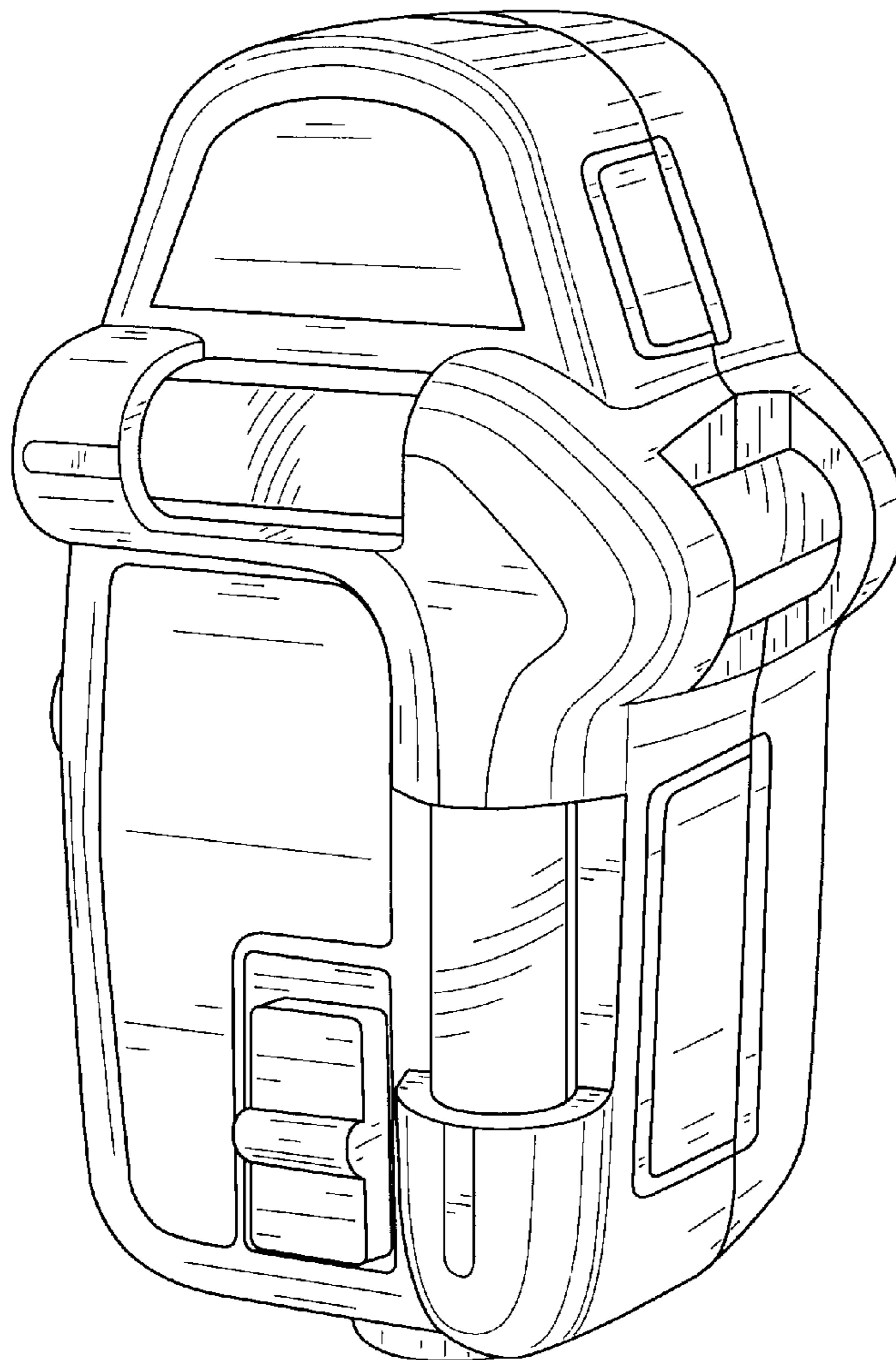
FIG. 4 is a left elevational view thereof.

FIG. 5 is a right elevational view thereof.

FIG. 6 is a top plan view thereof; and,

FIG. 7 is a bottom plan view thereof.

1 Claim, 7 Drawing Sheets



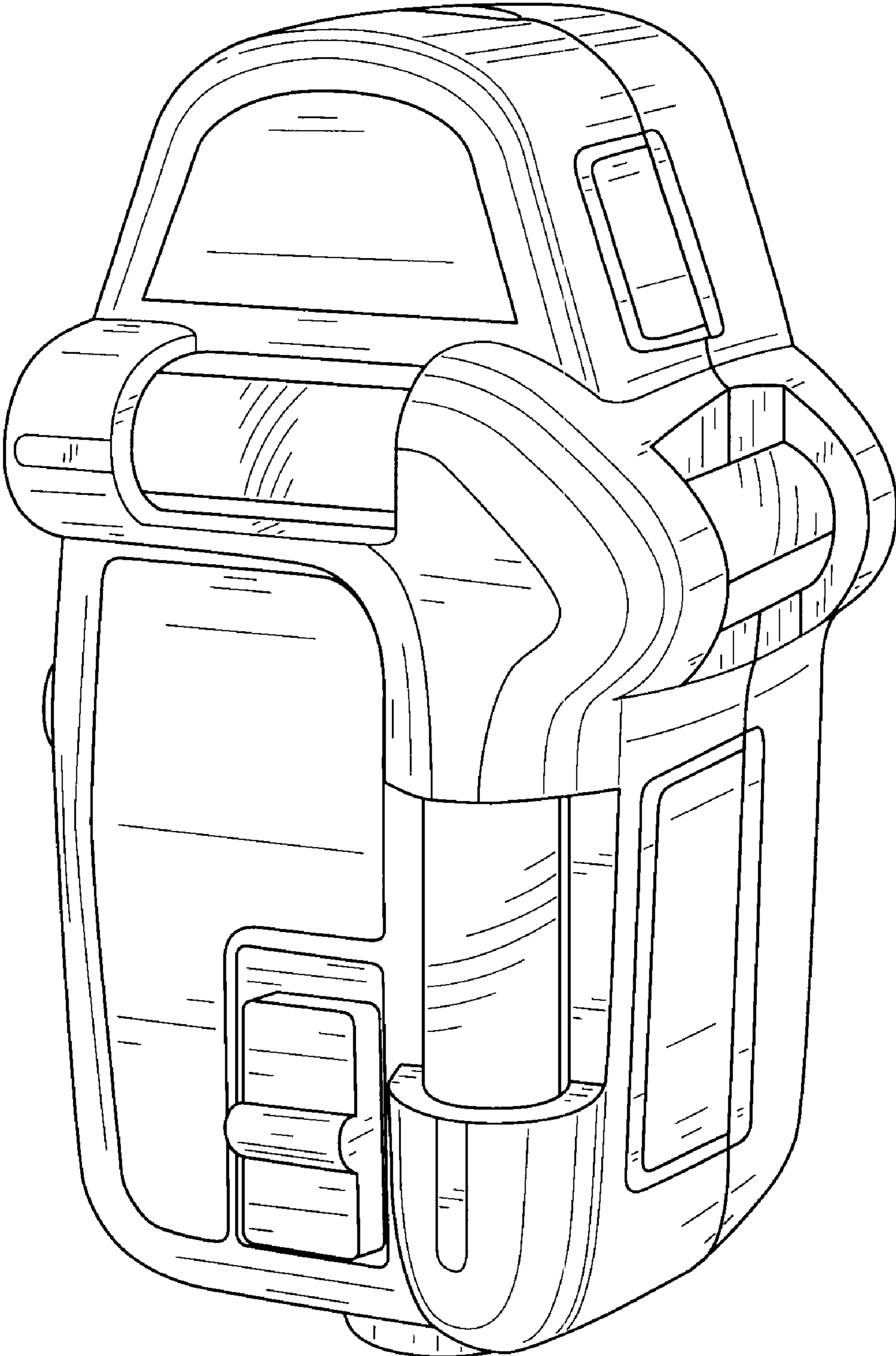


FIG. 1

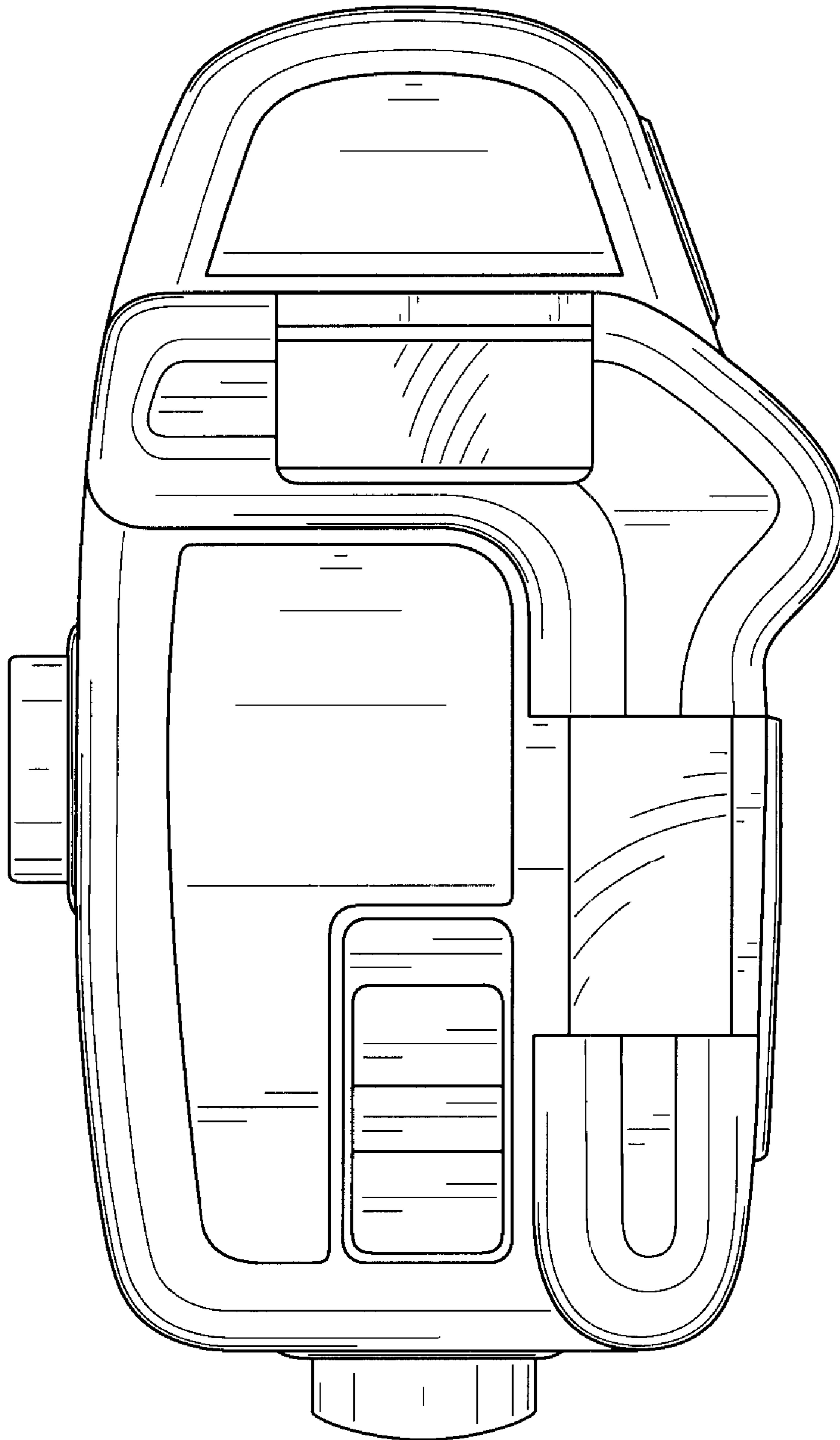


FIG. 2

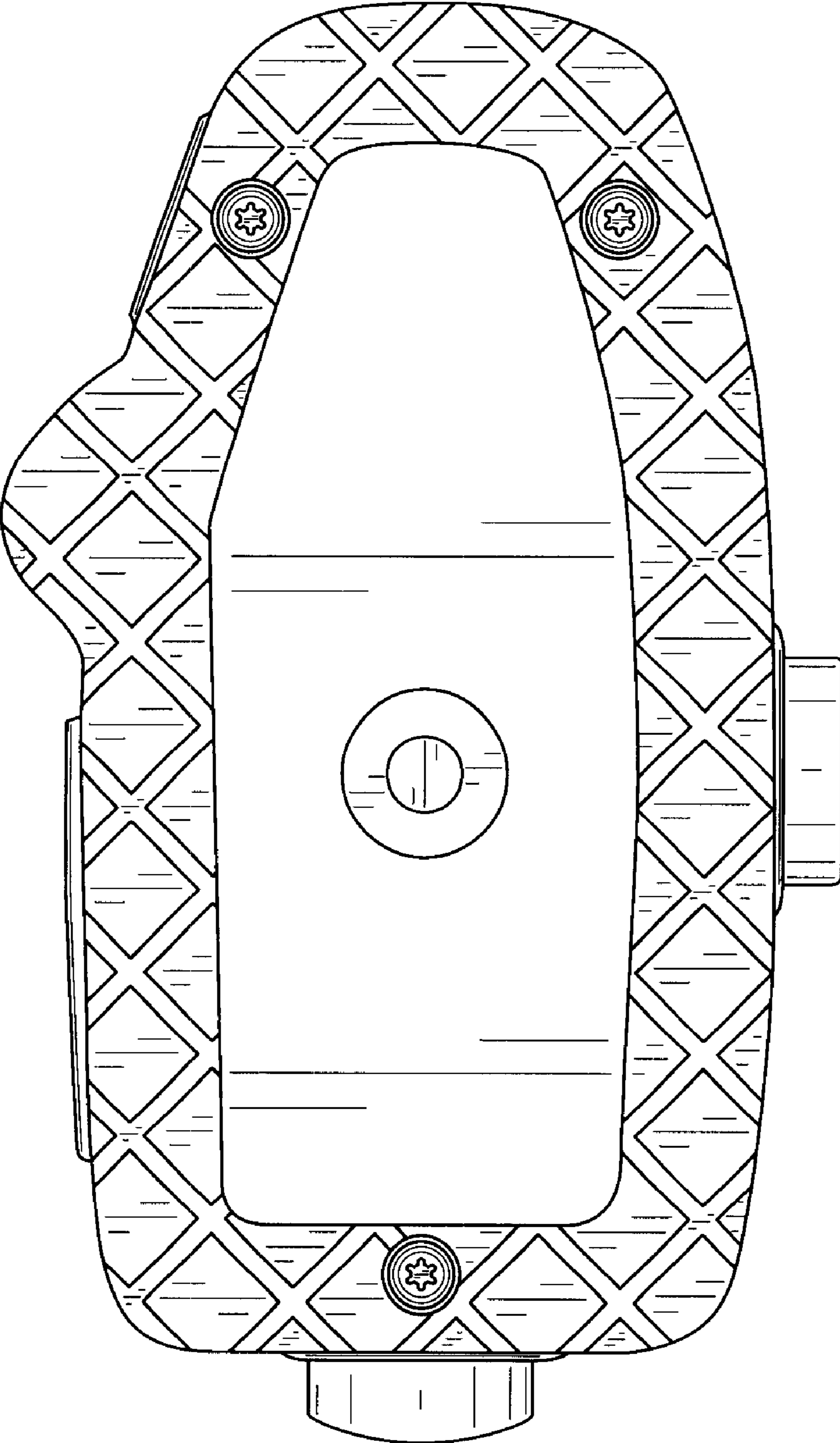


FIG. 3

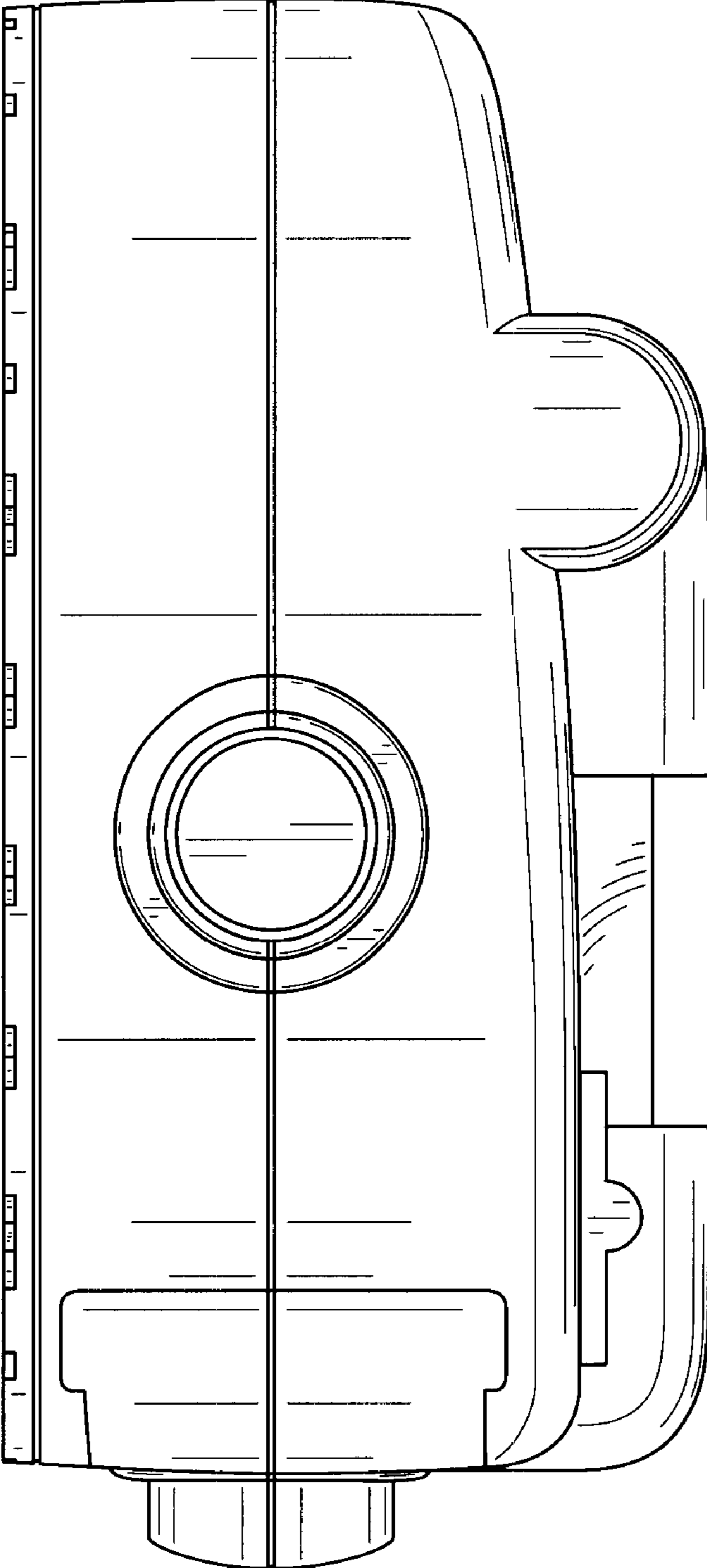


FIG. 4

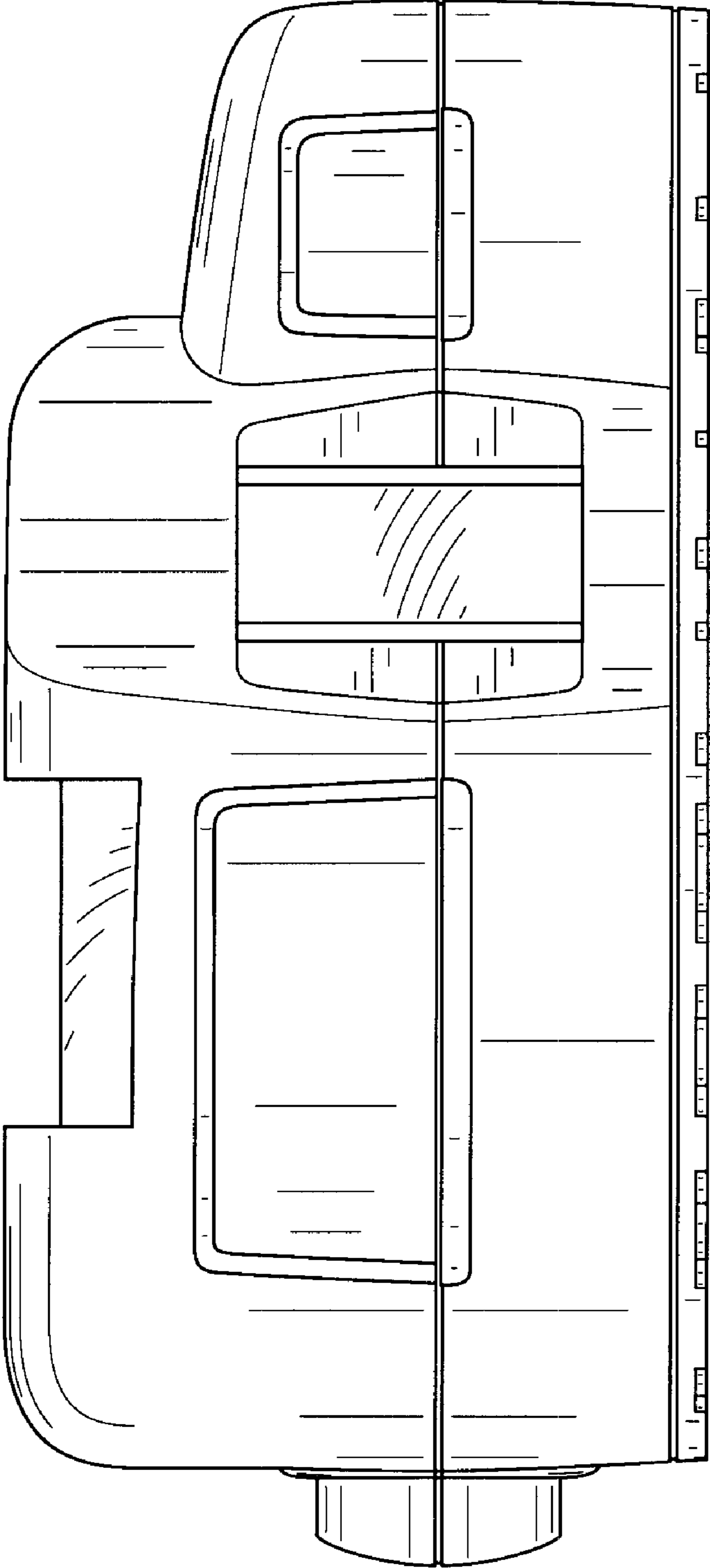


FIG. 5

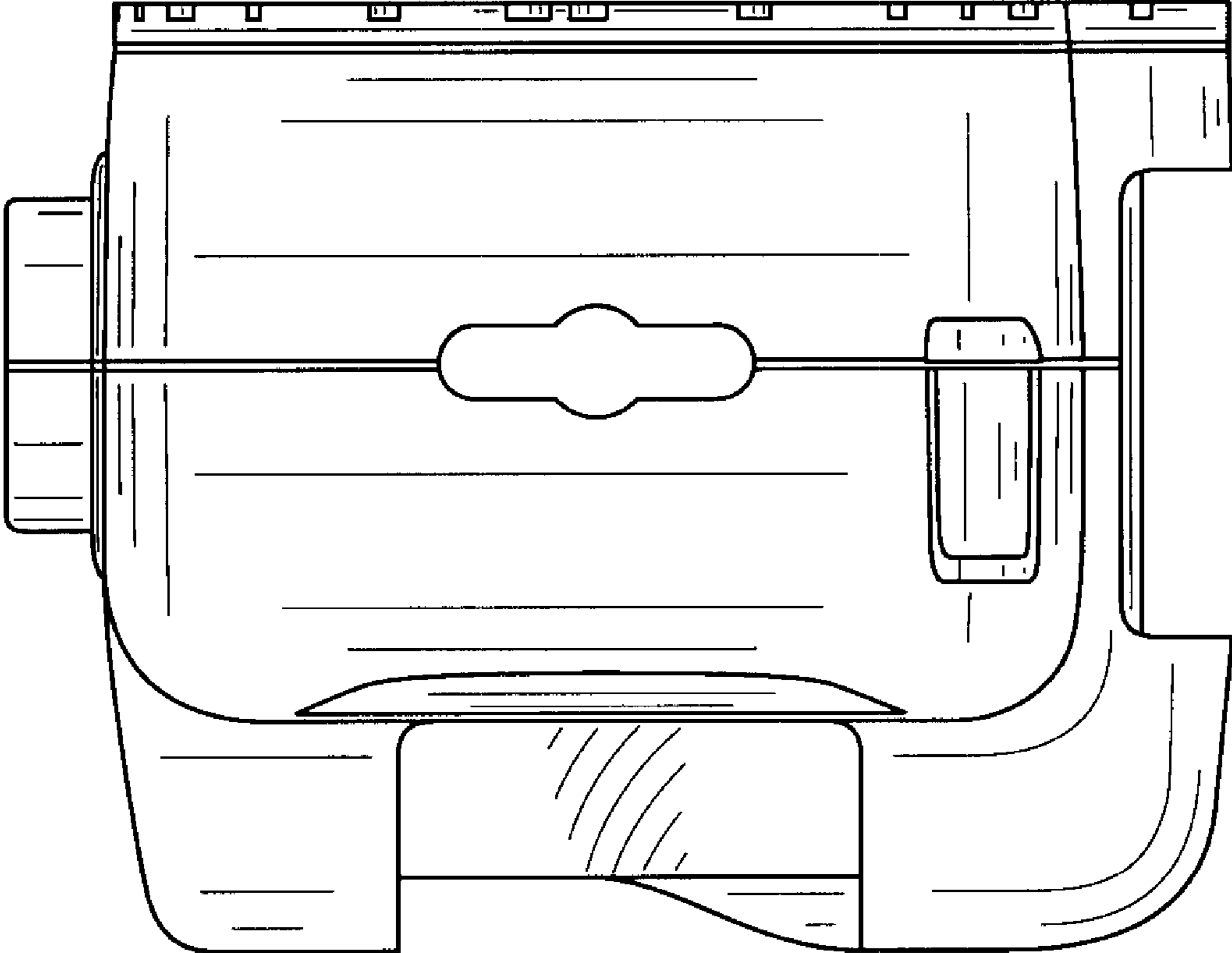


FIG. 6

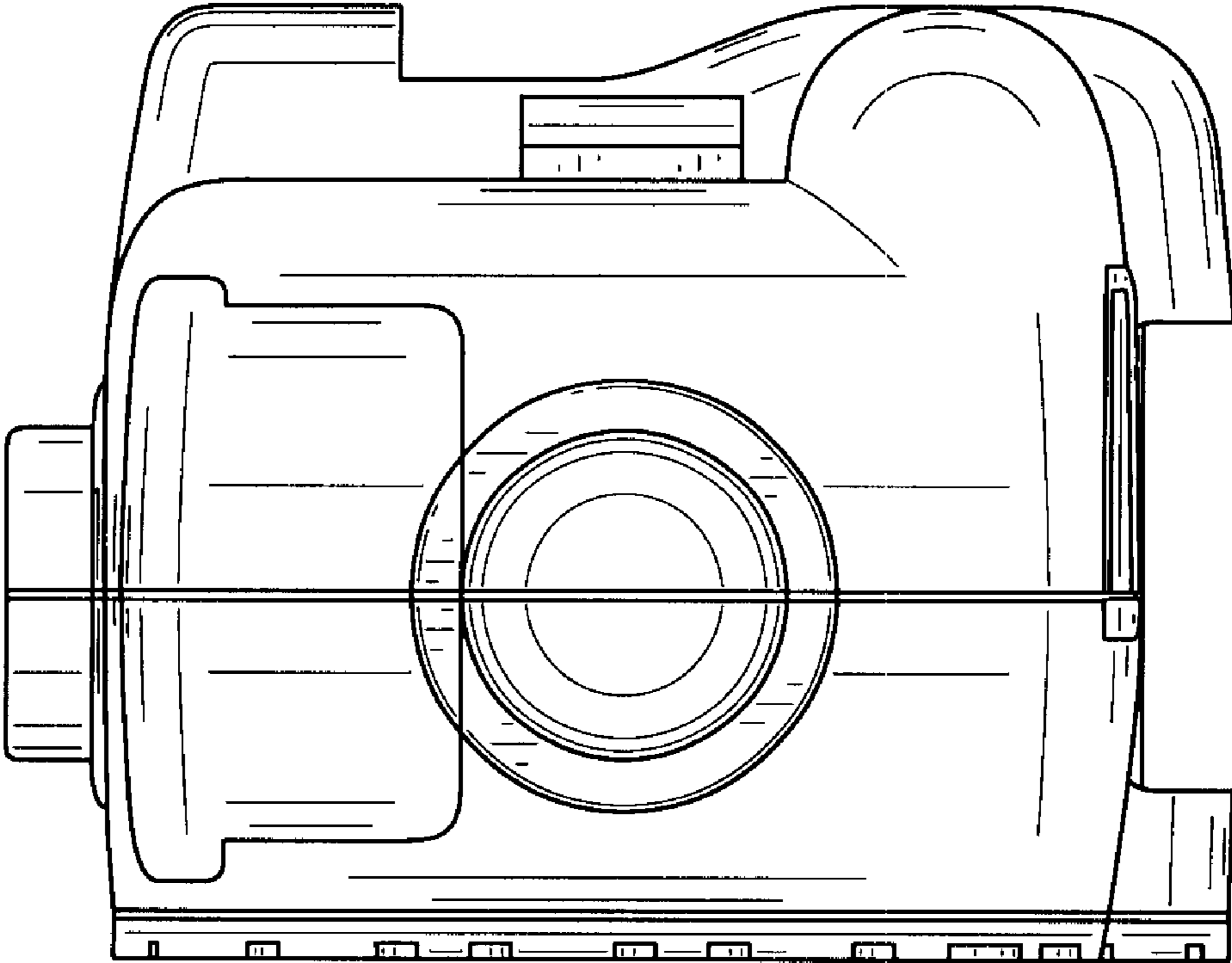


FIG. 7