

US00D504827S

(12) **United States Design Patent**
Lavoie

(10) **Patent No.:** **US D504,827 S**

(45) **Date of Patent:** **** May 10, 2005**

(54) **CD CLOCK**

(76) **Inventor:** **Kevin Lavoie**, 10 Airport Ave., P.O.
Box 142, Frenchville, ME (US) 04745

(**) **Term:** **14 Years**

(21) **Appl. No.:** **29/205,114**

(22) **Filed:** **May 11, 2004**

(51) **LOC (7) Cl.** **10-01**

(52) **U.S. Cl.** **D10/6; D10/23**

(58) **Field of Search** **D10/1-40, 122-132;**
368/276-277, 285, 316-317, 294-295

(56) **References Cited**

U.S. PATENT DOCUMENTS

755,969 A	*	3/1904	Thrasher	368/233
1,136,520 A		4/1915	Fukami		
D103,791 S		1/1937	Rusch		
D146,174 S		1/1947	Dow		
D173,142 S		10/1954	Bruce		
2,799,986 A		7/1957	Gianacol		
D363,433 S		10/1995	Caraballo		
D378,737 S		4/1997	McCue et al.		
D381,917 S		8/1997	McCue et al.		
D384,286 S	*	9/1997	Abbott	D10/6
D394,814 S	*	6/1998	Chen	D10/2

D404,314 S		1/1999	Caraballo		
D411,114 S	*	6/1999	Mei et al.	D10/6
D465,161 S	*	11/2002	Truisi	D10/6
D465,736 S	*	11/2002	Truisi	D10/6
D466,025 S		11/2002	Orner		

* cited by examiner

Primary Examiner—Nelson C. Holtje

(74) *Attorney, Agent, or Firm*—Palmer C. DeMeo; Palmer Patent Consultants

(57) **CLAIM**

The ornamental design for a CD clock, as shown.

DESCRIPTION

FIG. 1 is a perspective view of my CD clock showing my new design;

FIG. 2 is a front elevational view thereof;

FIG. 3 is a right side elevational view thereof, the left side being a mirror image thereof;

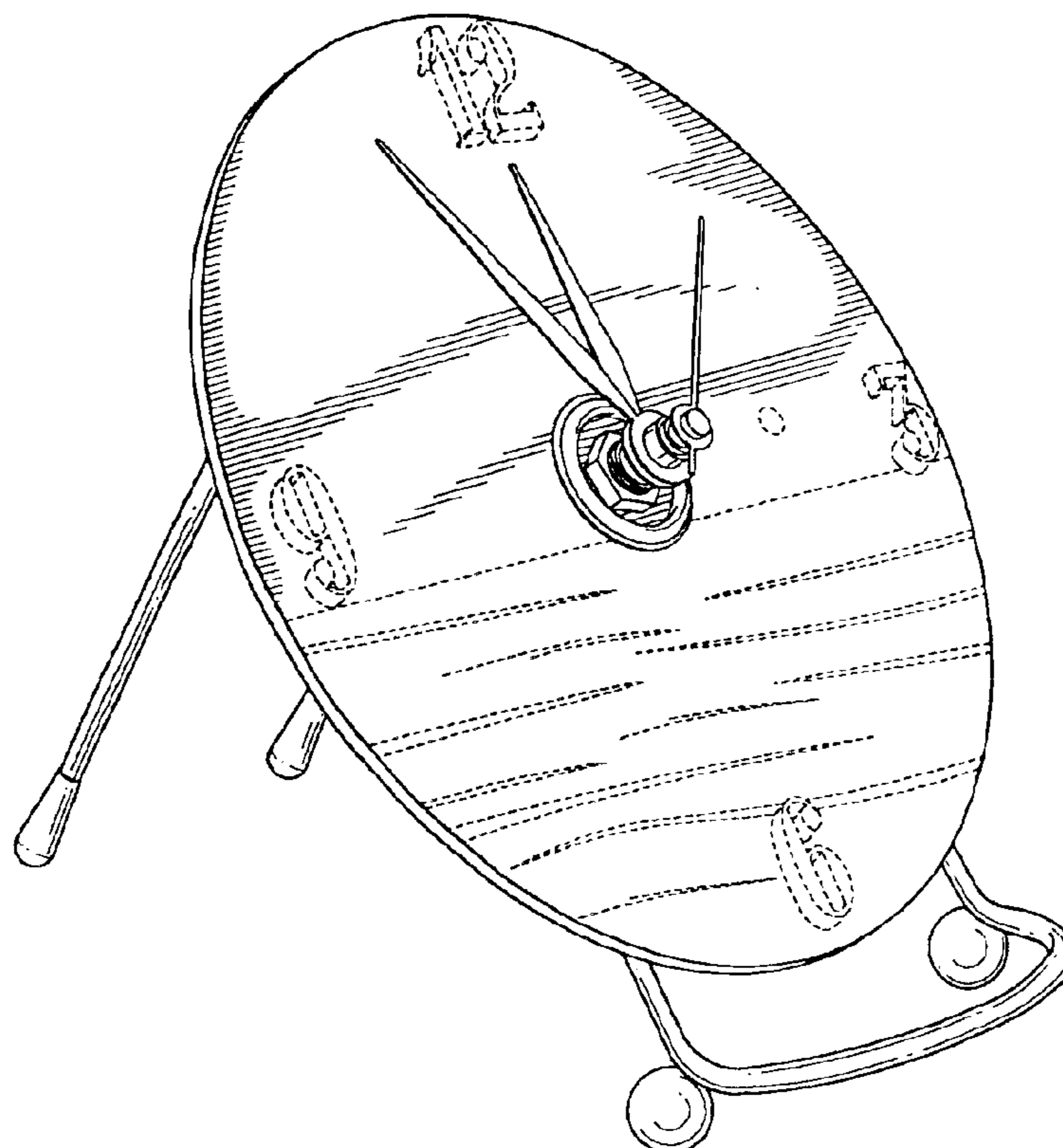
FIG. 4 is a top plan view thereof;

FIG. 5 is a bottom plan view thereof; and,

FIG. 6 is a rear elevational view thereof.

The broken lines showings on the face of the clock and of a battery at the rear of the clock are for illustrative purpose only and form no part of the claimed design.

1 Claim, 3 Drawing Sheets



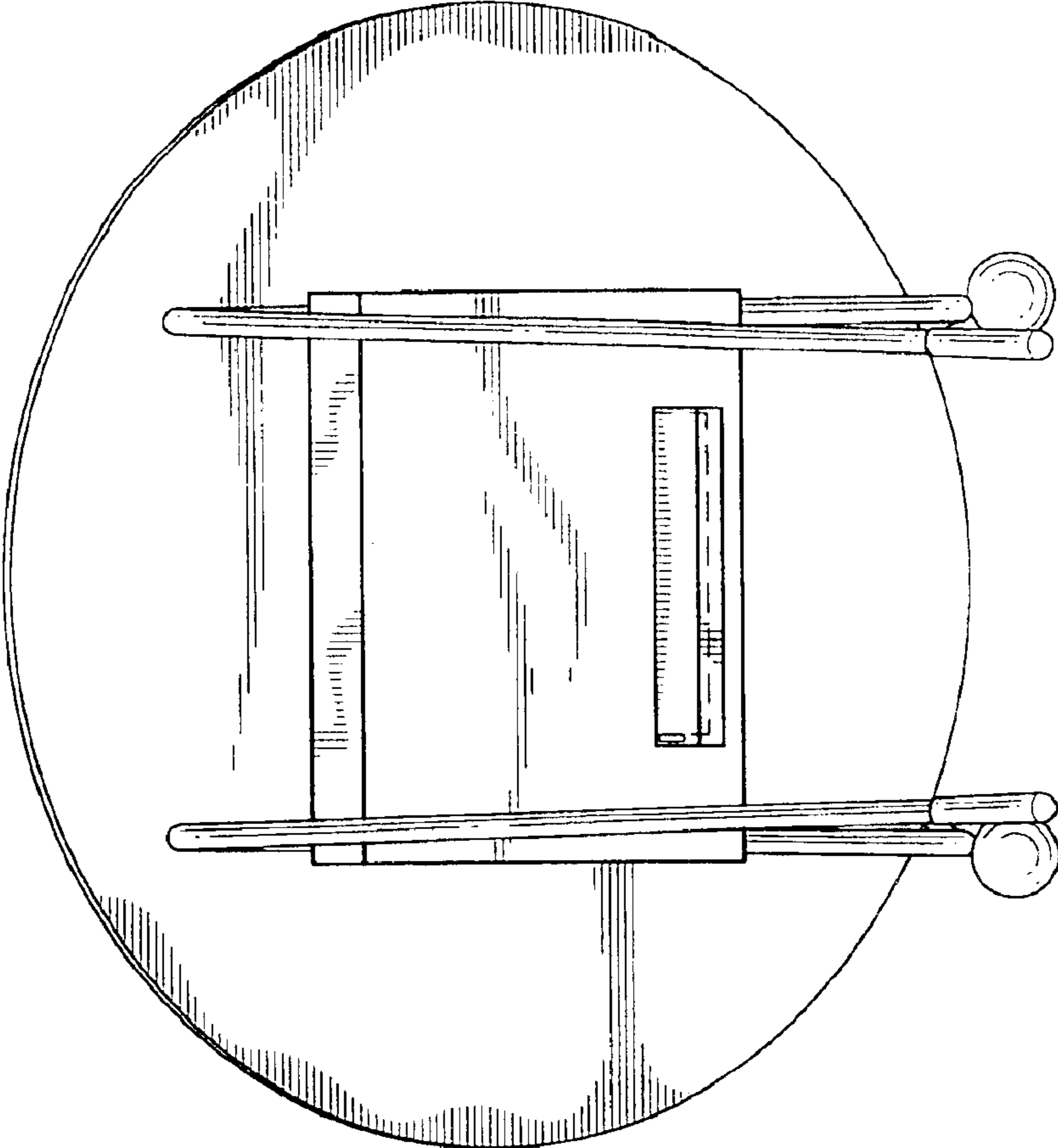


FIG. 6

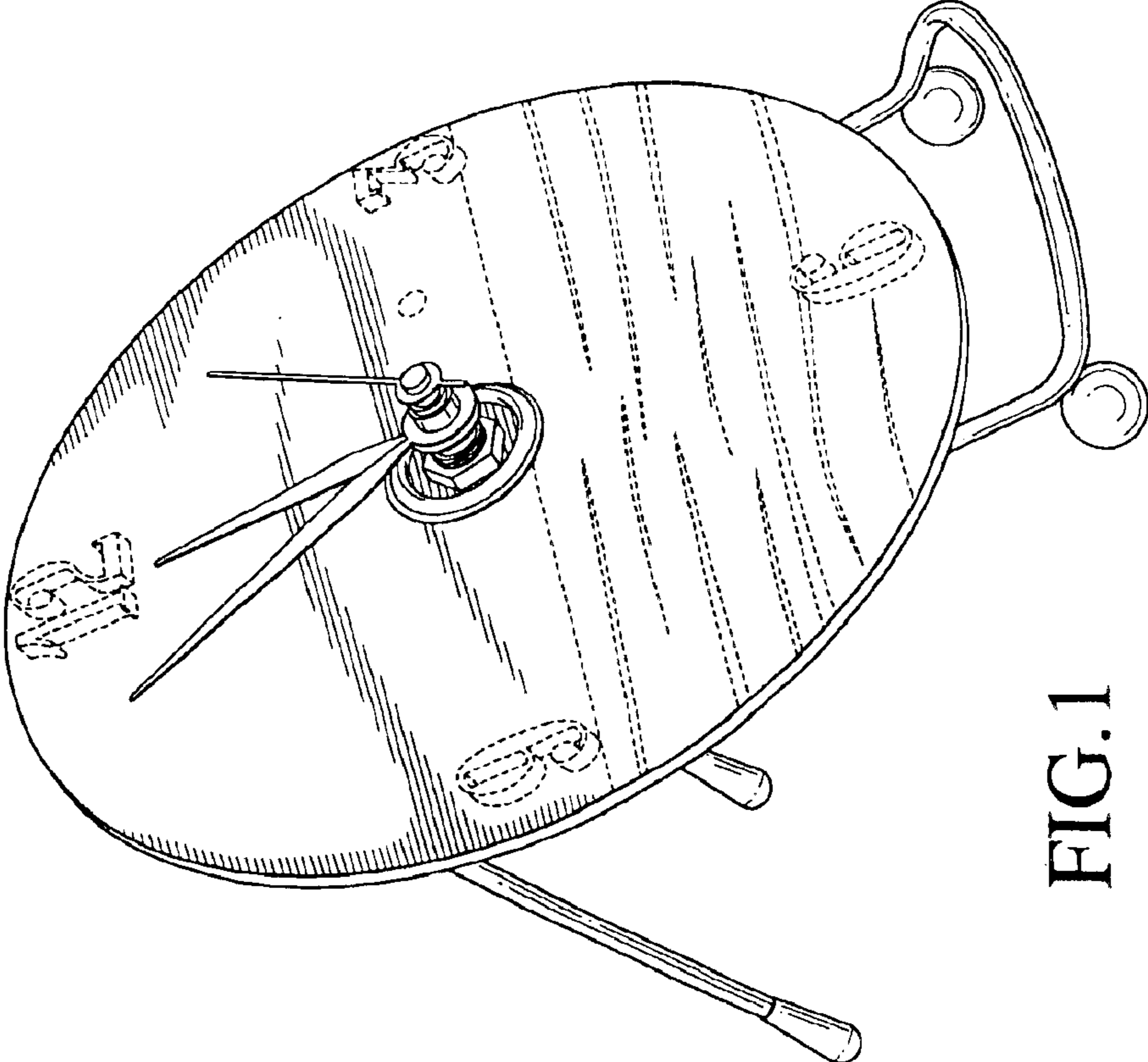


FIG. 1

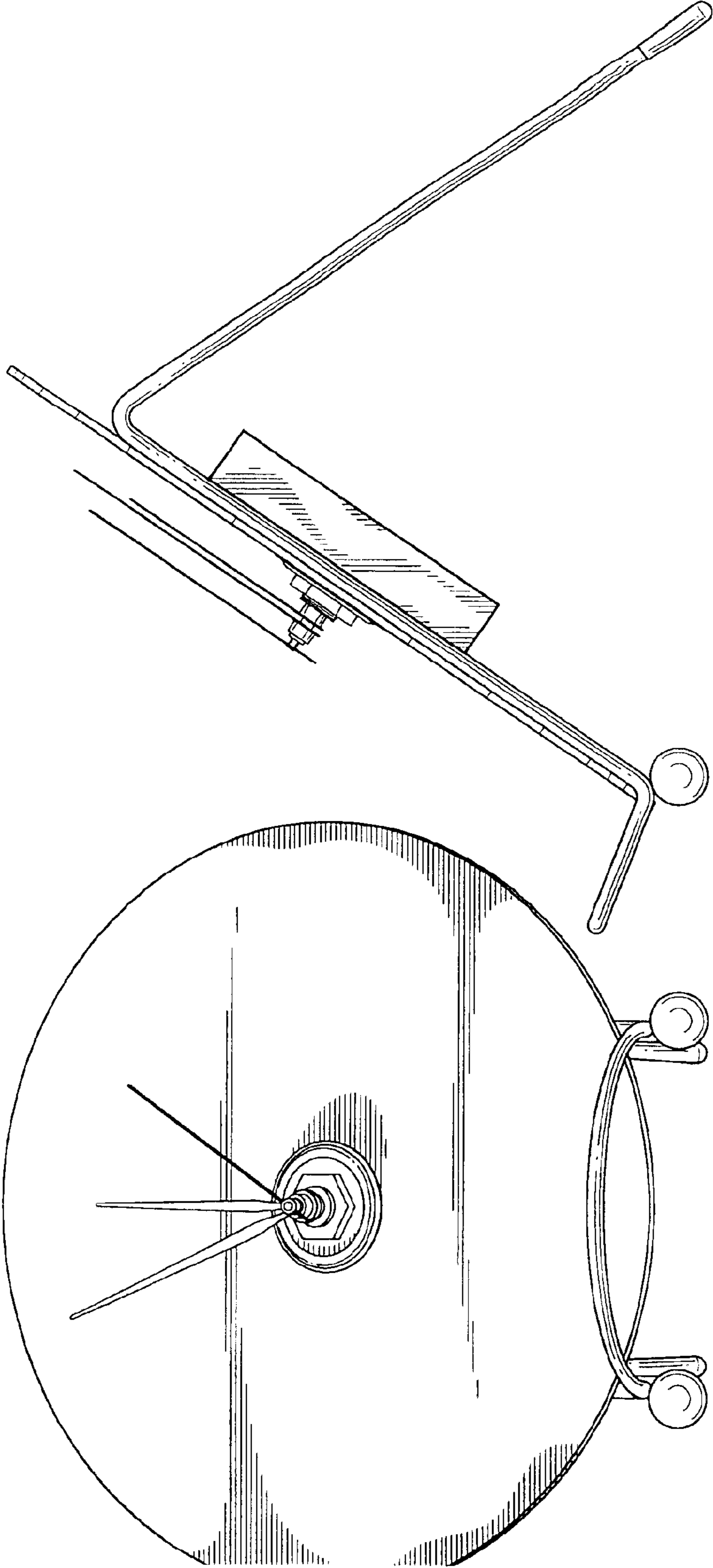


FIG. 3

FIG. 2

FIG.4

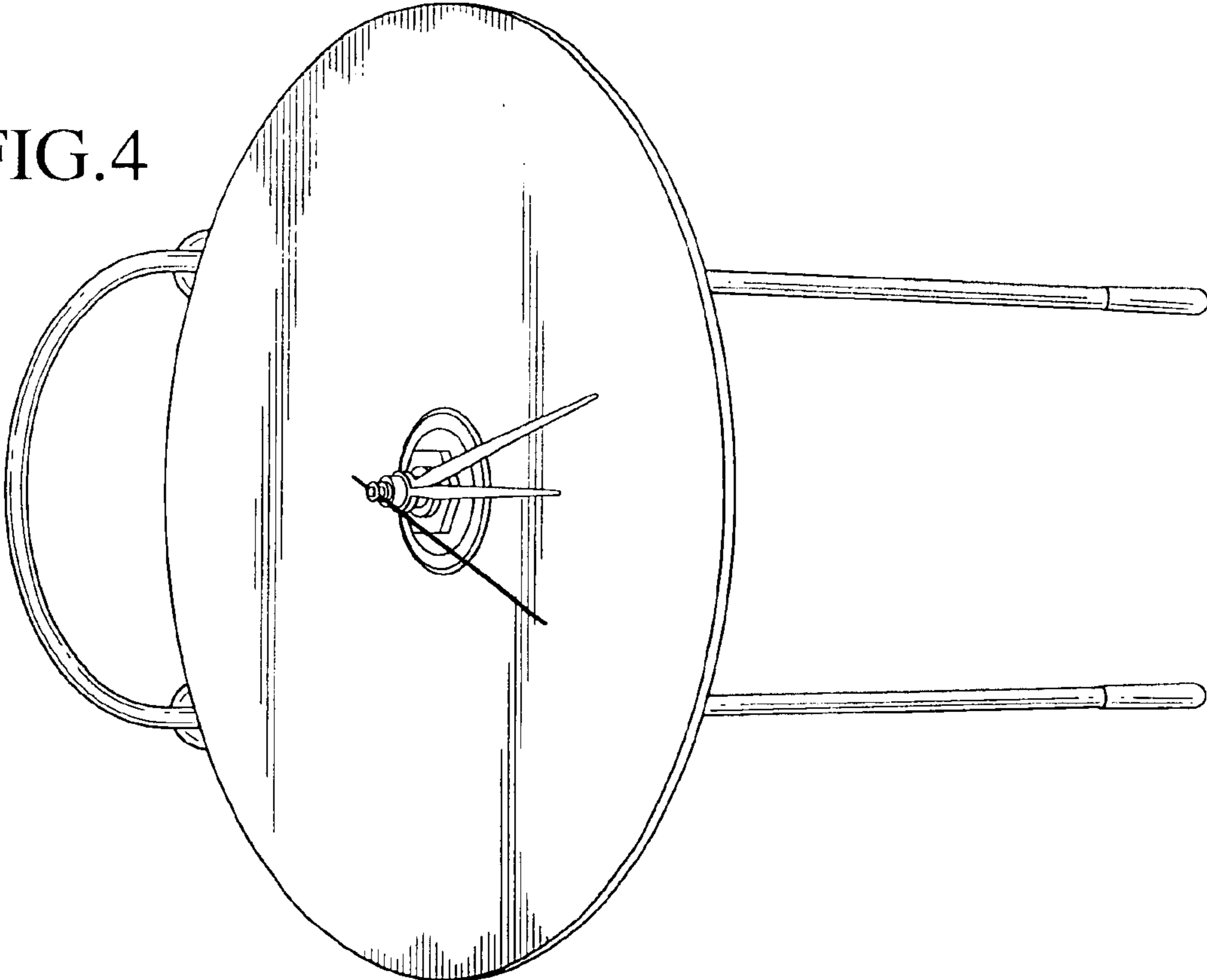


FIG.5

