

US00D504826S

(12) **United States Design Patent**
Ziegenhorn et al.

(10) **Patent No.: US D504,826 S**

(45) **Date of Patent: ** May 10, 2005**

(54) **CLOSURE**

(75) Inventors: **David Ziegenhorn**, Grayslake, IL (US);
Valentin Hierzer, Arlington Heights, IL (US)

(73) Assignee: **Crown Packaging Technology, Inc.**, Alsip, IL (US)

(**) Term: **14 Years**

(21) Appl. No.: **29/195,067**

(22) Filed: **Dec. 3, 2003**

(51) **LOC (7) Cl.** **09-01**

(52) **U.S. Cl.** **D9/724**

(58) **Field of Search** D9/300, 302, 350,
D9/435, 436, 440, 442, 445, 452, 447-450,
454, 520, 503, 729, 537, 542, 724, 682,
688, 689; 222/543, 546; 215/11.1, 306;
D24/197; 383/80

(56) **References Cited**

U.S. PATENT DOCUMENTS

4,377,248 A	*	3/1983	Stull	222/543
D281,581 S	*	12/1985	MacEwen	D9/435
4,940,167 A		7/1990	Fillmore et al.		
D311,494 S	*	10/1990	Zinnbauer	D9/448
5,181,632 A	*	1/1993	Latter	222/153.06
5,687,863 A		11/1997	Kusz		

5,743,444 A		4/1998	Beck et al.		
5,882,119 A	*	3/1999	Fadal, II	383/80
5,915,576 A		6/1999	Robinson		
5,927,527 A		7/1999	Montgomery et al.		
6,135,329 A		10/2000	Stoneberg et al.		
6,299,038 B1		10/2001	Schmeisser et al.		
D467,174 S	*	12/2002	Mozes	D9/435

* cited by examiner

Primary Examiner—Ruth McInroy

Assistant Examiner—Susan Bennett-Hattan

(74) *Attorney, Agent, or Firm*—Knoble Yoshida & Dunleavy, LLC

(57) **CLAIM**

The ornamental design for a “closure,” as shown and described.

DESCRIPTION

FIG. 1 is a perspective view of a closure showing our new design;

FIG. 2 is a front elevational view, the rear elevational view being identical;

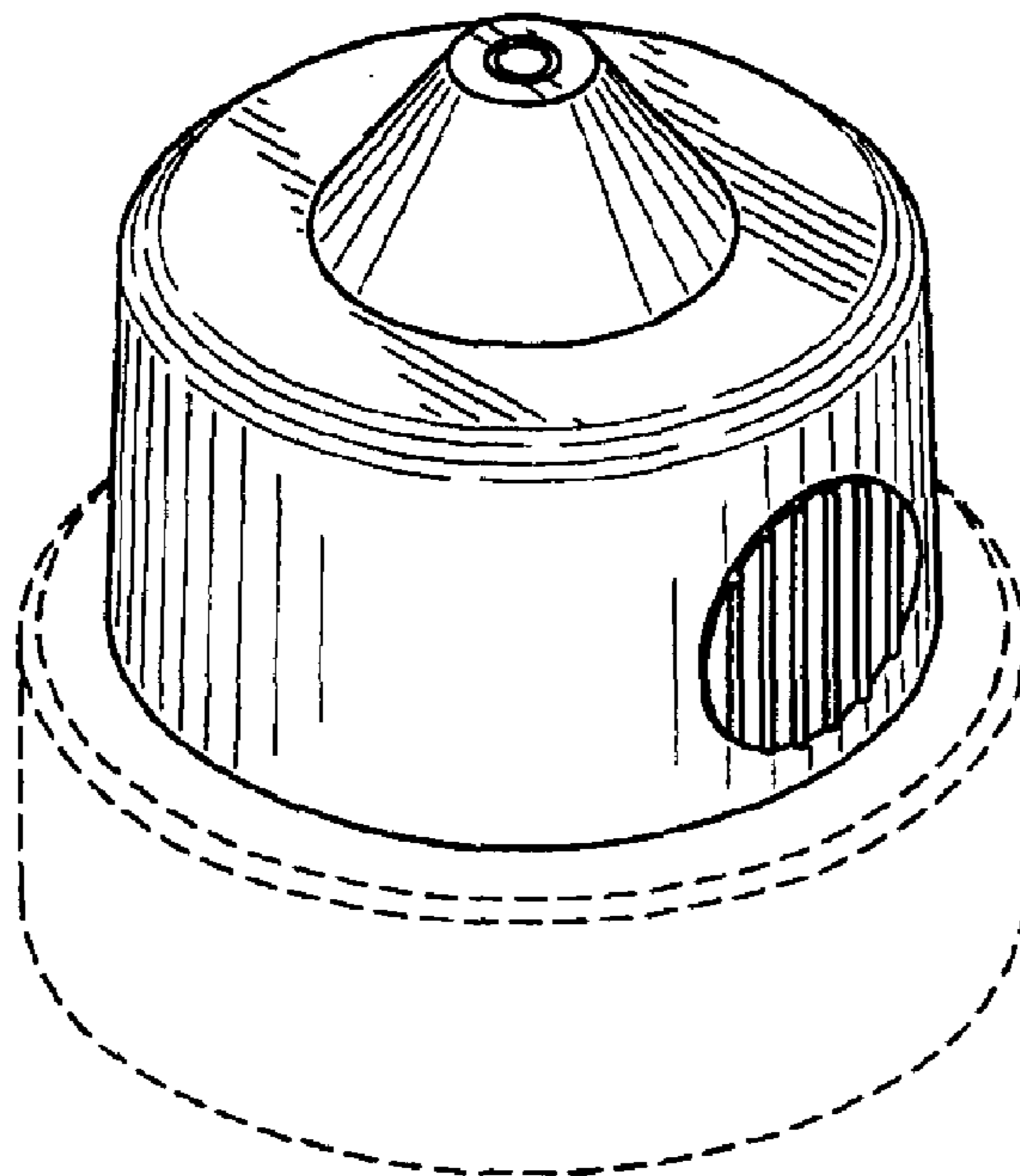
FIG. 3 is a side elevational view;

FIG. 4 is a top plan view; and,

FIG. 5 is a bottom plan view.

The broken line showing in the drawings is to depict probable environment only and forms no part of the claimed design.

1 Claim, 2 Drawing Sheets



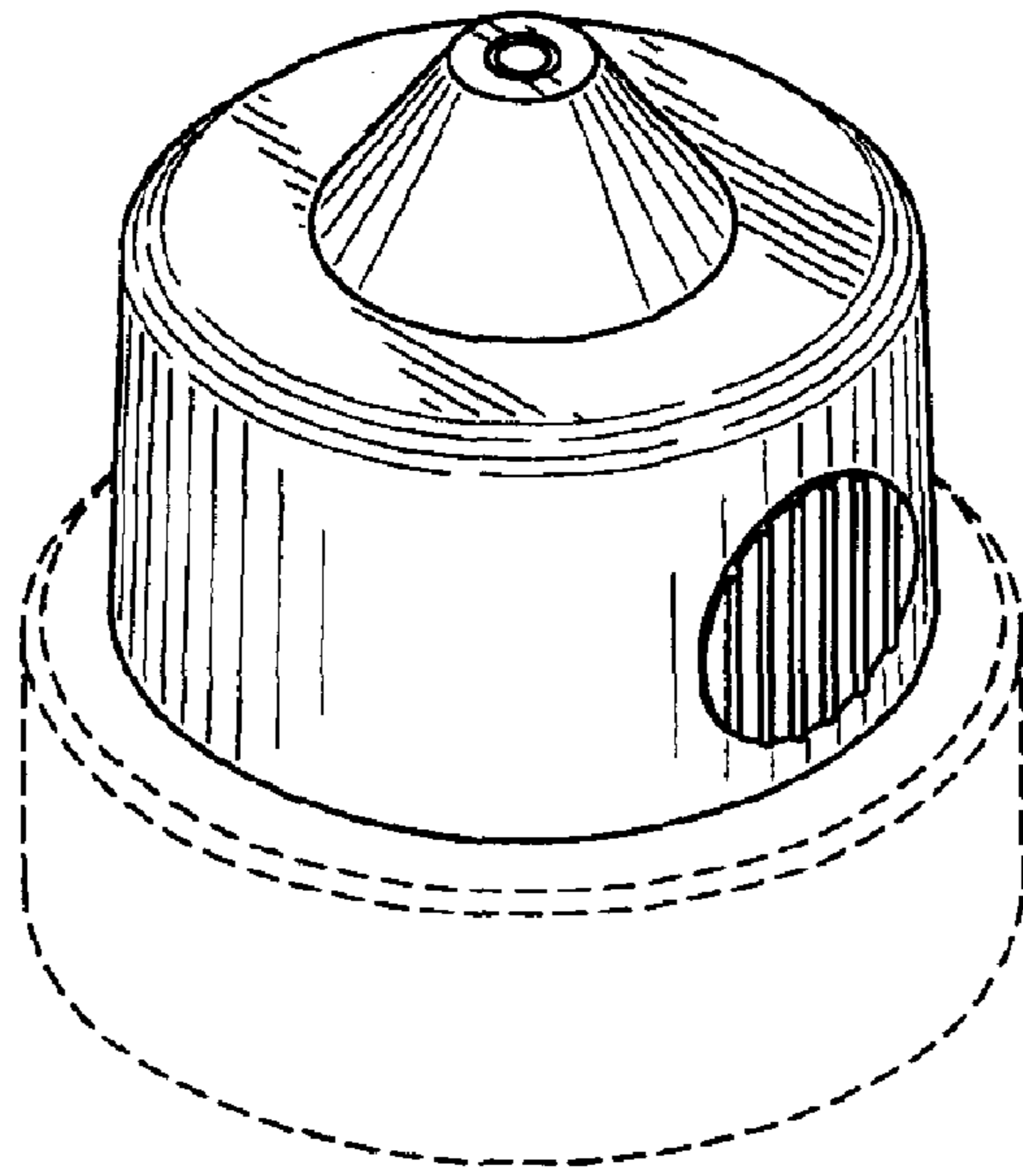


FIG. 1

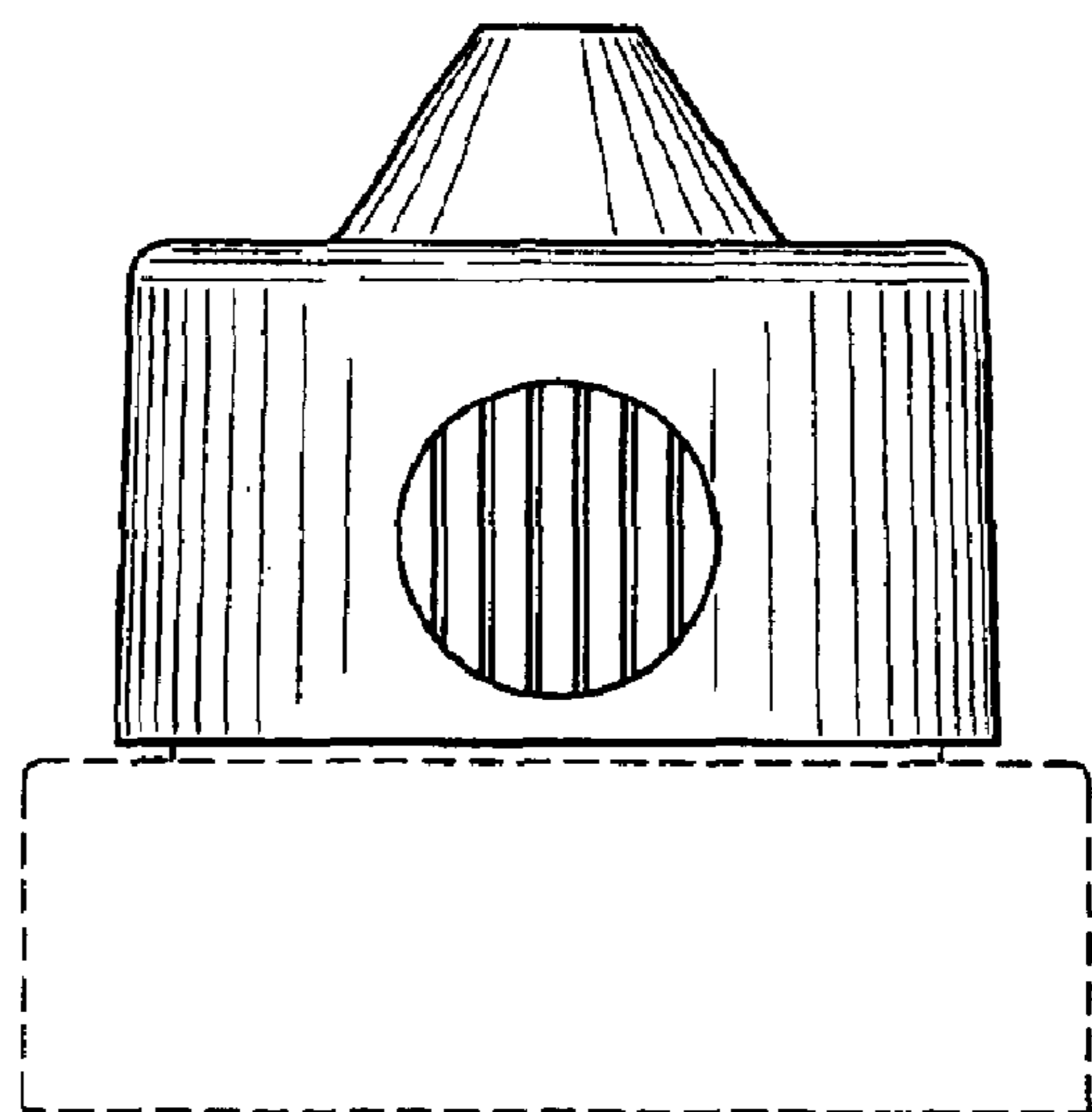


FIG. 2

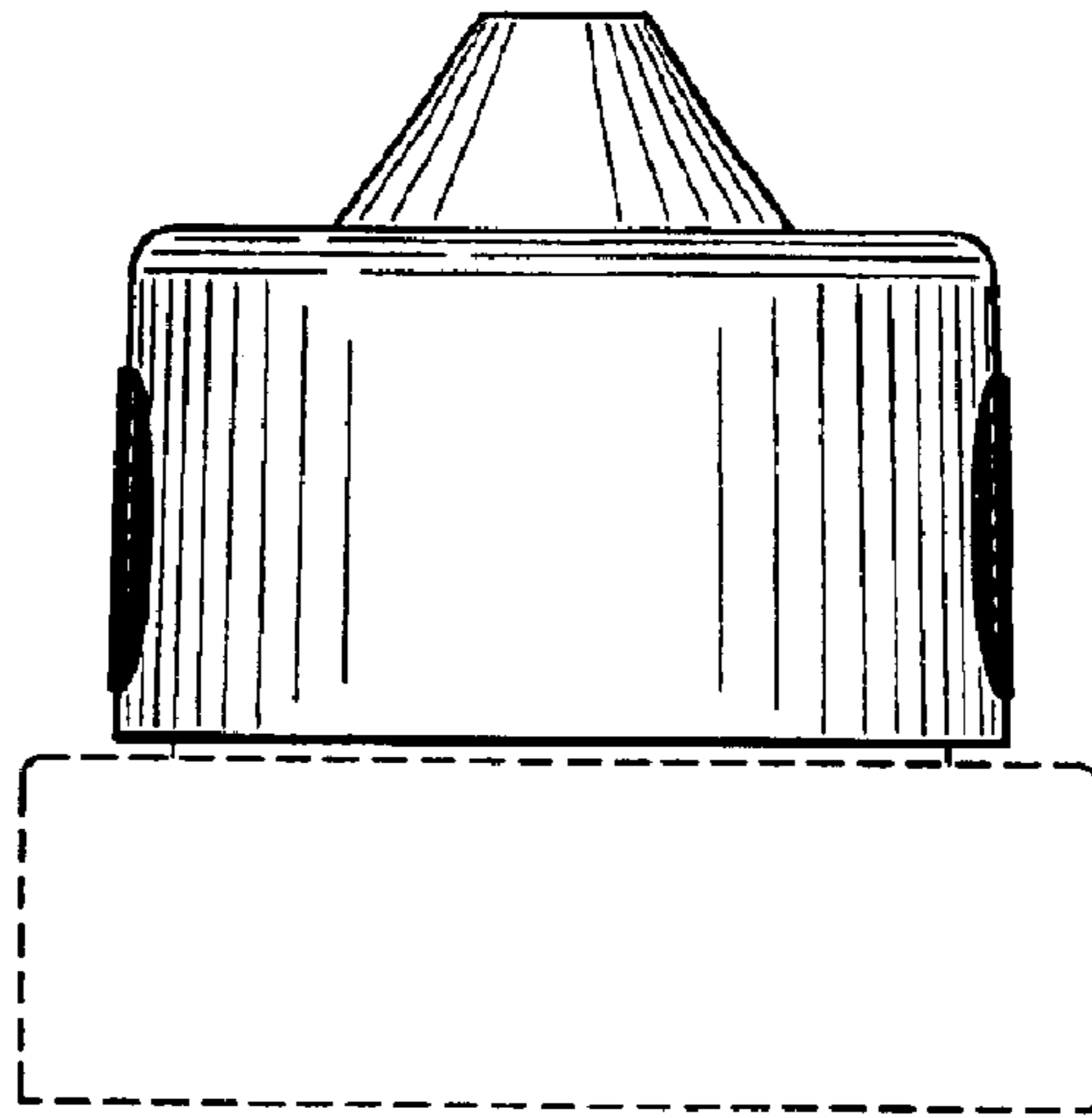


FIG. 3

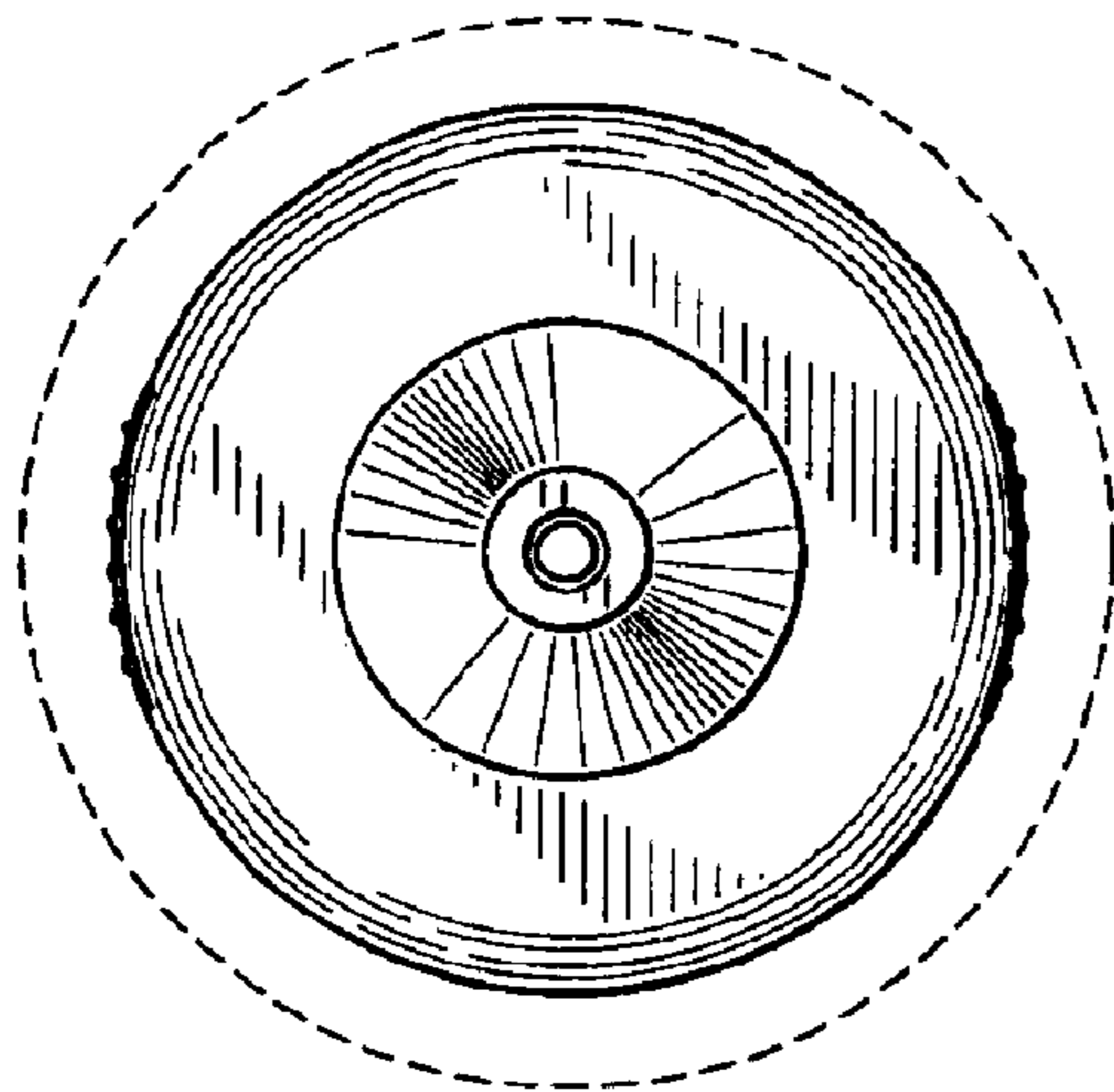


FIG. 4

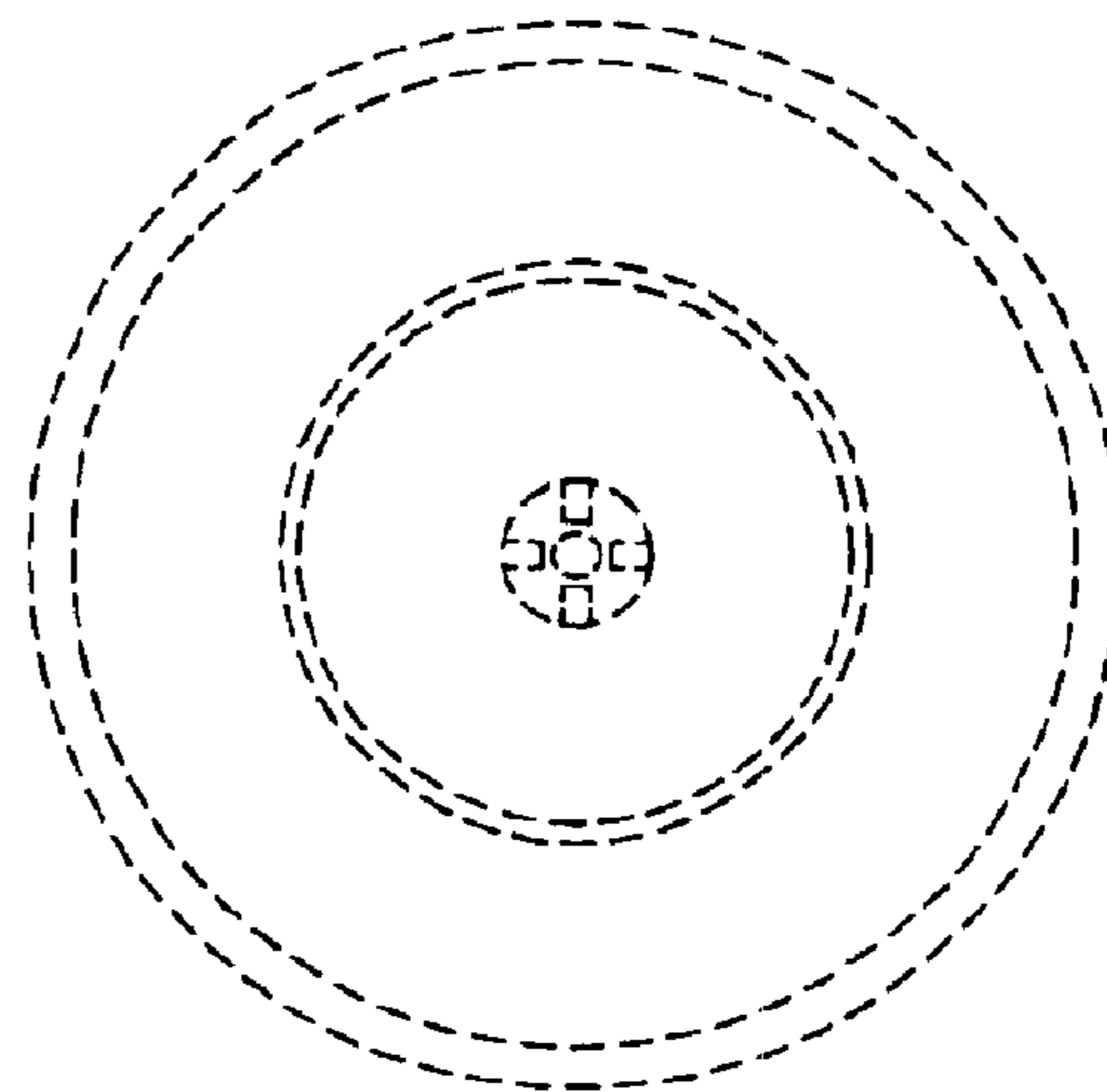


FIG. 5