

US00D504824S

(12) **United States Design Patent**
Darr et al.

(10) **Patent No.:** **US D504,824 S**
(45) **Date of Patent:** **** May 10, 2005**

(54) **CONTAINER**

(75) Inventors: **Richard C. Darr**, Medina, OH (US);
James C. Dorn, Norton, OH (US);
Richard A. Lovelace, Jr., Akron, OH (US)

(73) Assignee: **Plastipak Packaging, Inc.**, Plymouth, MI (US)

(**) Term: **14 Years**

(21) Appl. No.: **29/211,806**

(22) Filed: **Aug. 20, 2004**

Related U.S. Application Data

(62) Division of application No. 29/191,818, filed on Oct. 14, 2003, now Pat. No. Des. 498,677.

(51) **LOC (7) Cl.** **09-03**

(52) **U.S. Cl.** **D9/528**

(58) **Field of Search** D9/528, 516, 523,
D9/524, 533, 526-527, 531, 543, 573-575;
206/515, 518; 215/382-385, 396; 220/660,
669, 675

(56) **References Cited**

U.S. PATENT DOCUMENTS

D212,212 S * 9/1968 Tompkins D9/526
D224,639 S * 8/1972 Schieser D9/527

D284,641 S * 7/1986 Jones D9/341
D326,137 S * 5/1992 Ali D23/225
D358,548 S * 5/1995 Platte D9/527
D370,379 S * 6/1996 Klein et al. D7/313
D374,824 S * 10/1996 Rokus et al. D9/527
D452,956 S * 1/2002 Hari et al. D9/527
D454,788 S * 3/2002 Pezzoli et al. D9/526
D485,189 S * 1/2004 Montalbano et al. D9/528
D488,067 S * 4/2004 Dorn et al. D9/528

* cited by examiner

Primary Examiner—Prabhakar Deshmukh

Assistant Examiner—Daniel Bui

(74) *Attorney, Agent, or Firm*—Robert H. Bachman

(57) **CLAIM**

The ornamental design for a container, as shown and described.

DESCRIPTION

FIG. 1 is a perspective view of the container of the present invention showing the front, top and right side thereof.

FIG. 2 is a perspective view of the container of FIG. 1 showing the top, back and right side thereof.

FIG. 3 is a right side elevation view thereof.

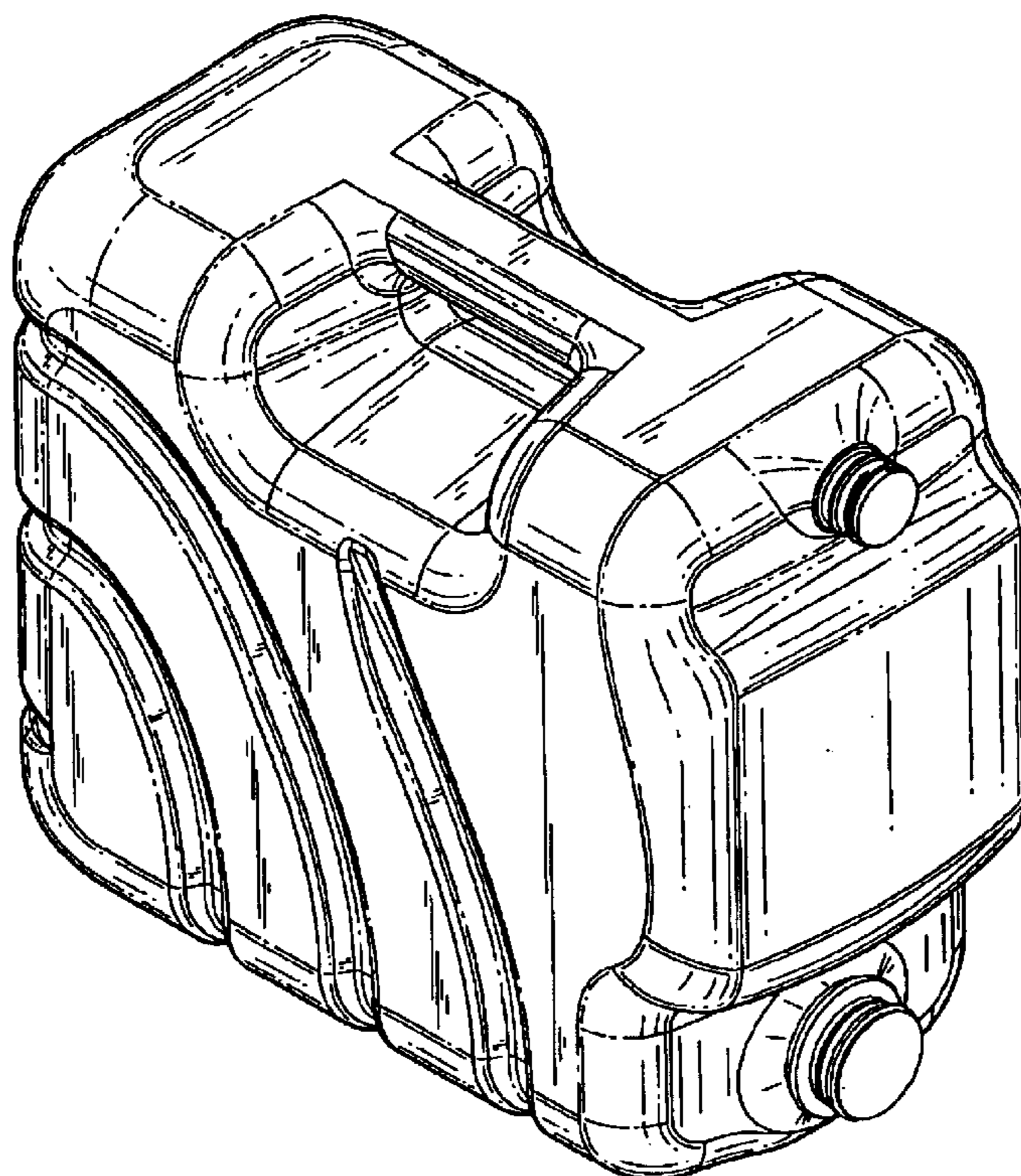
FIG. 4 is a back elevation view thereof.

FIG. 5 is a front elevation view thereof.

FIG. 6 is a top plan view thereof; and,

FIG. 7 is a bottom plan view thereof.

1 Claim, 3 Drawing Sheets



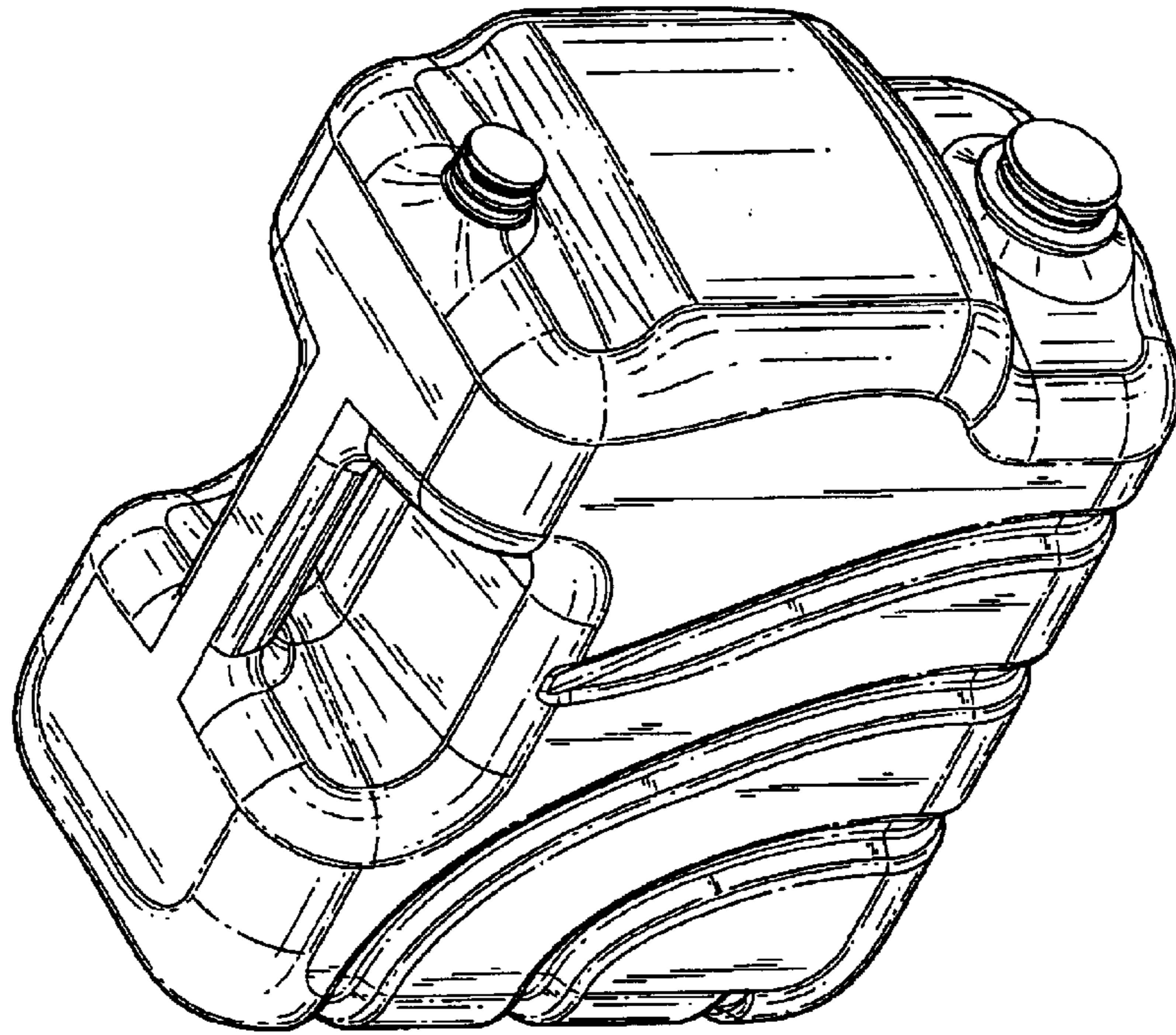


FIG. 2

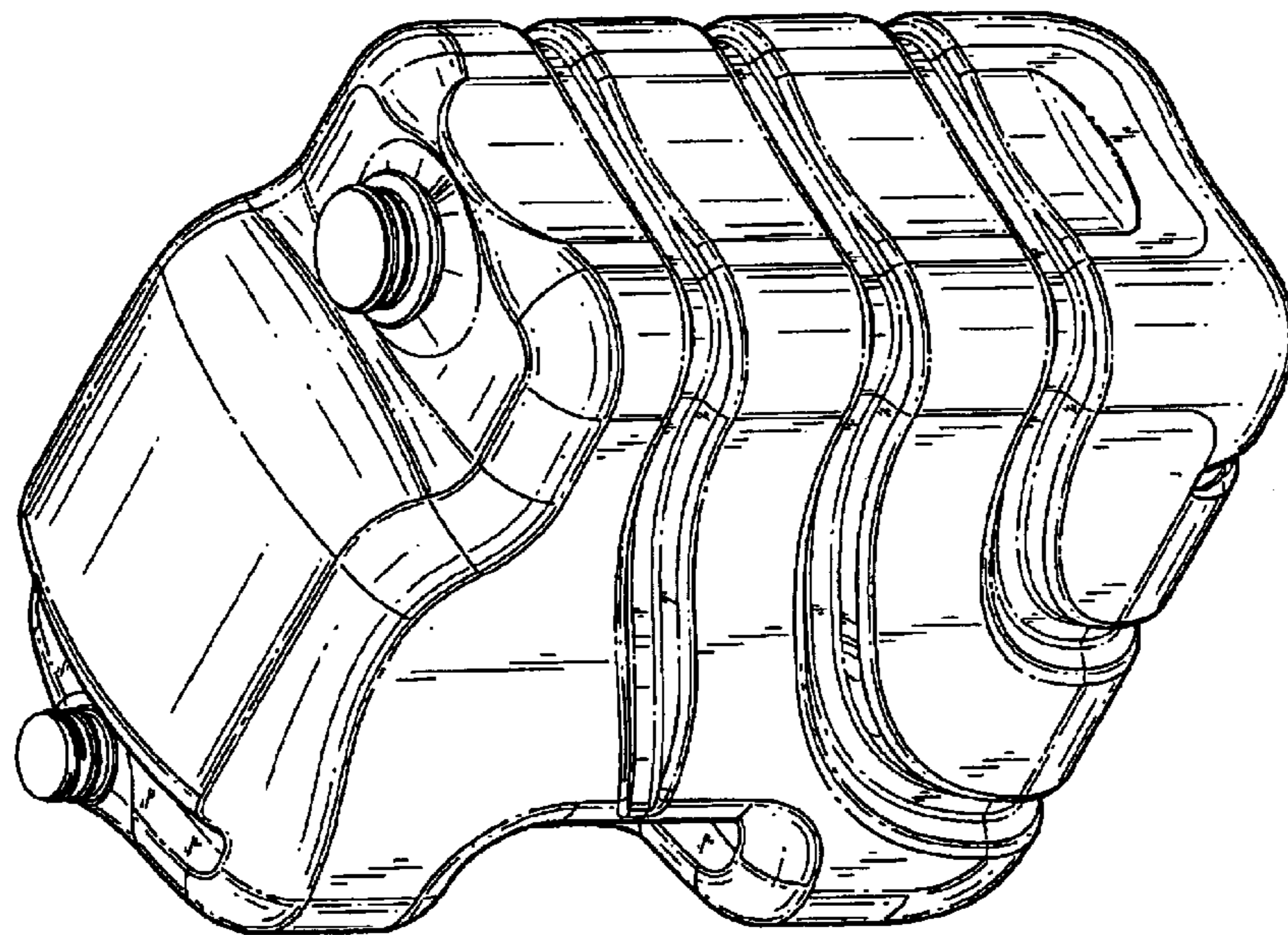


FIG. 1

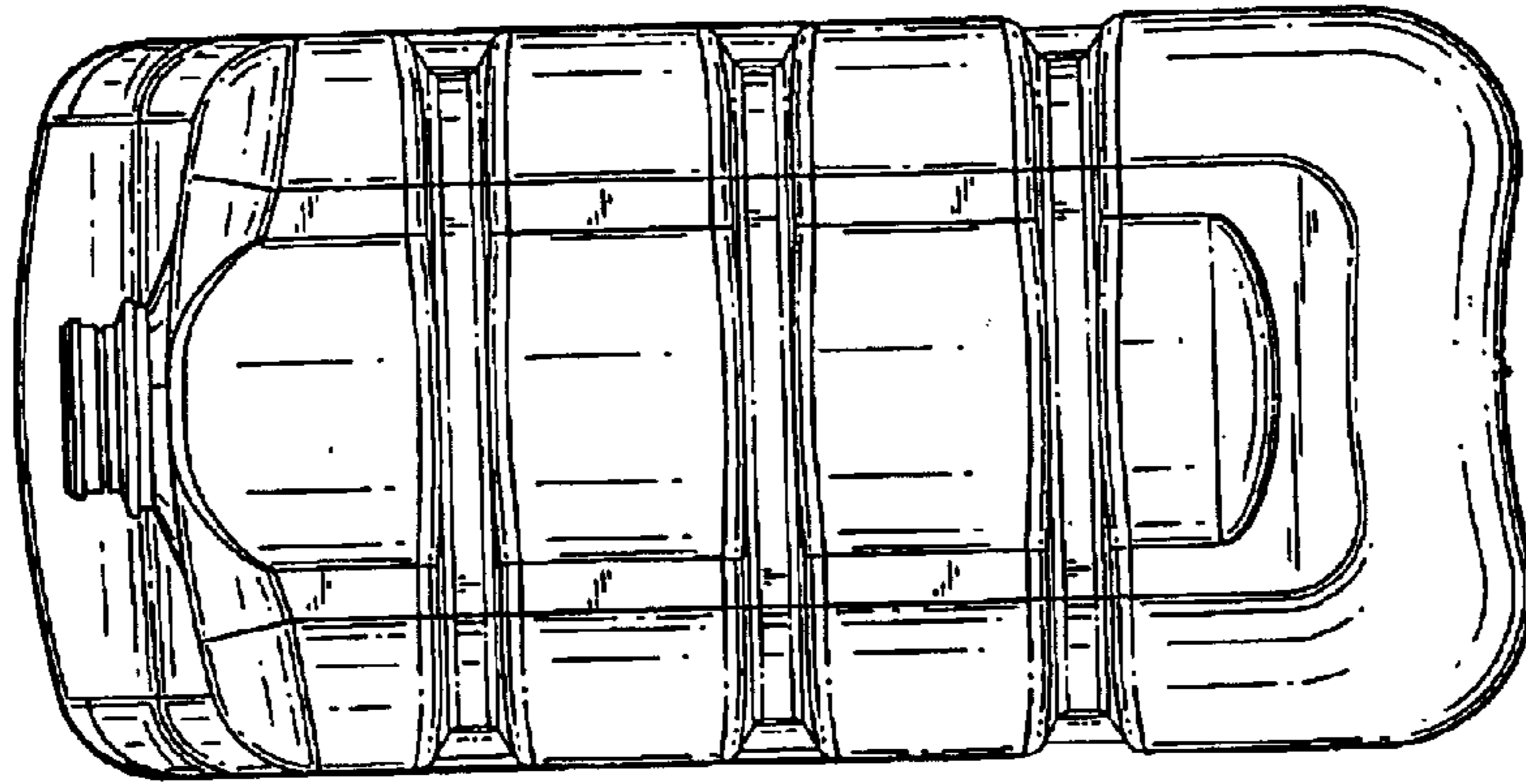


FIG. 5

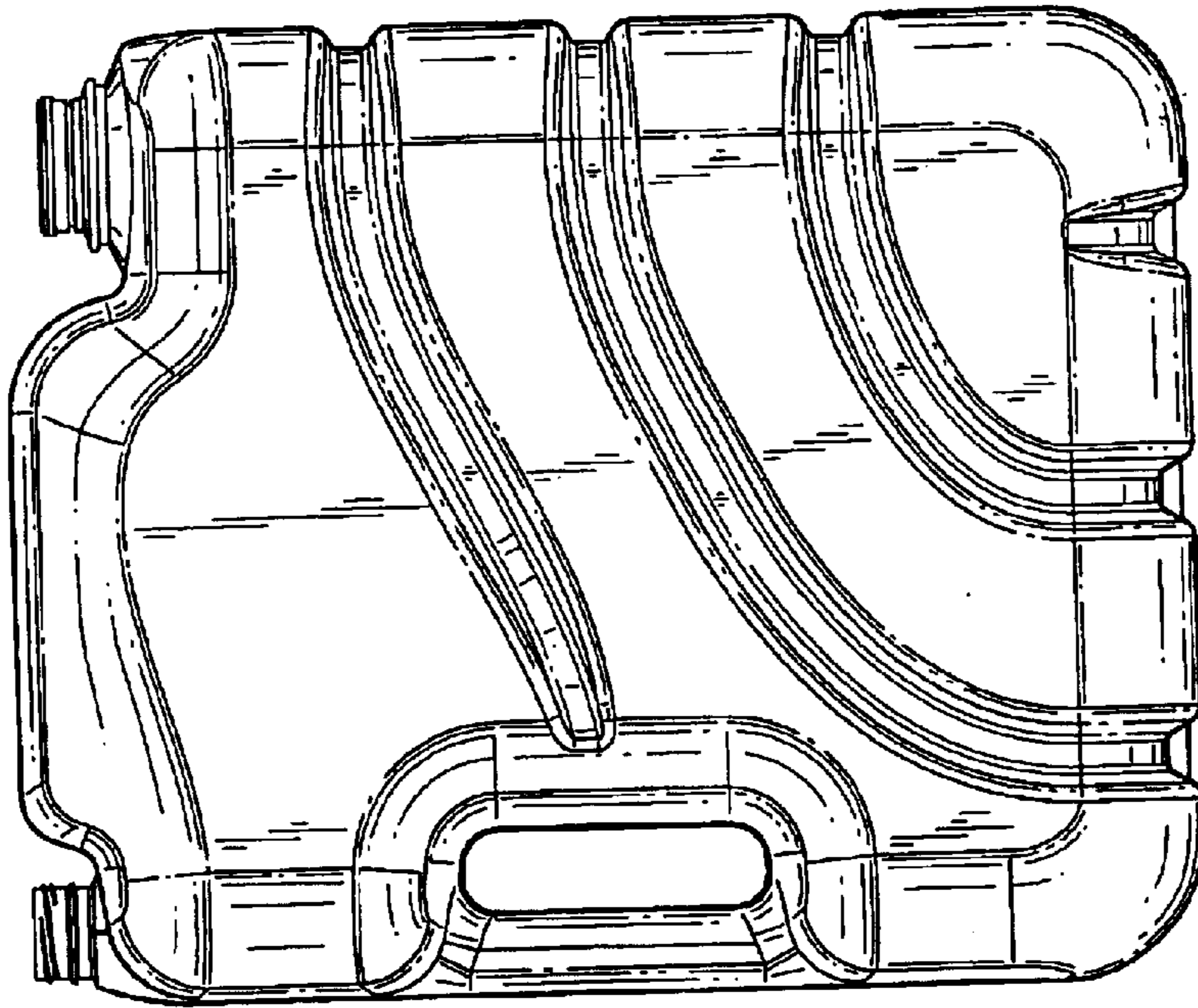


FIG. 3

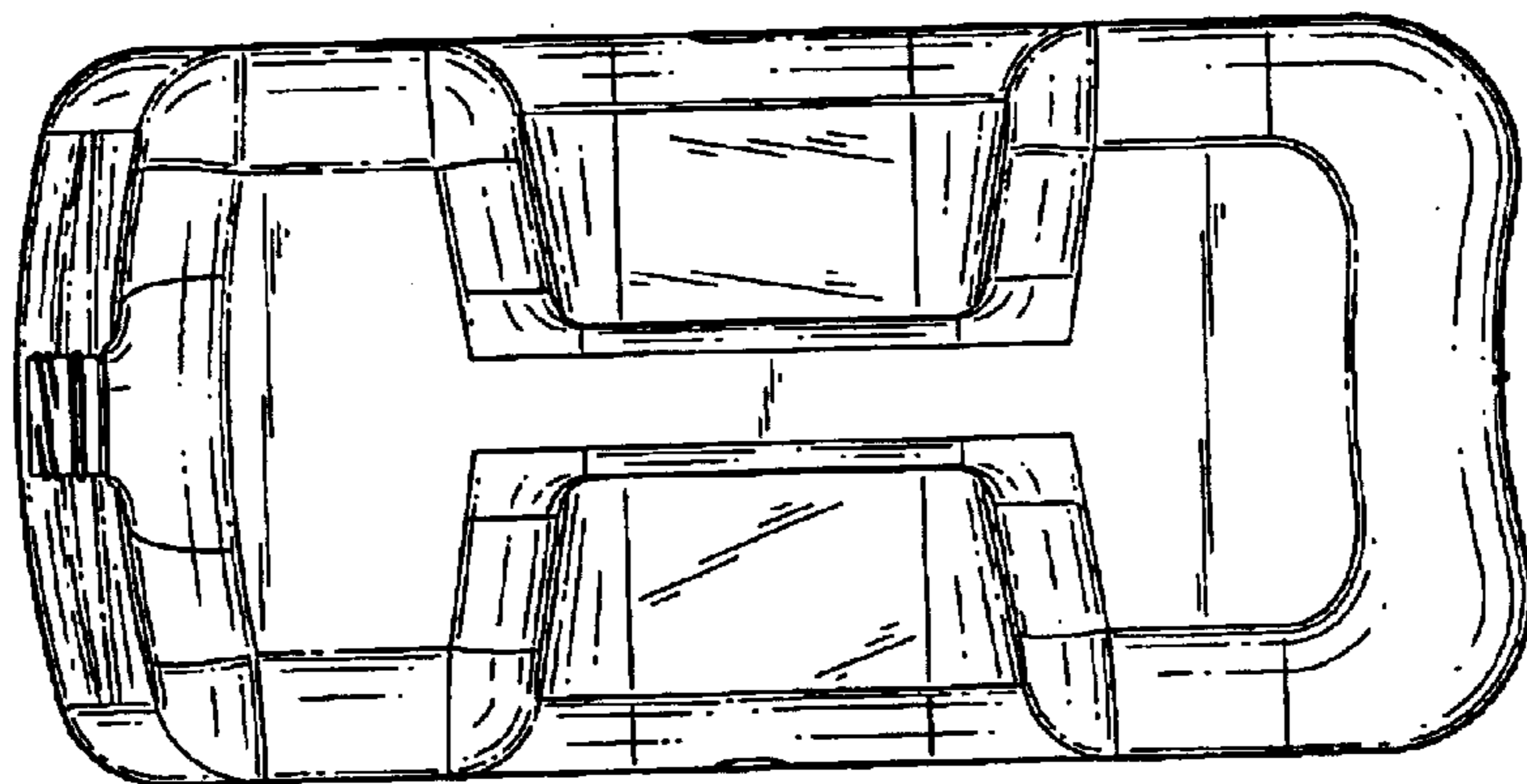


FIG. 4

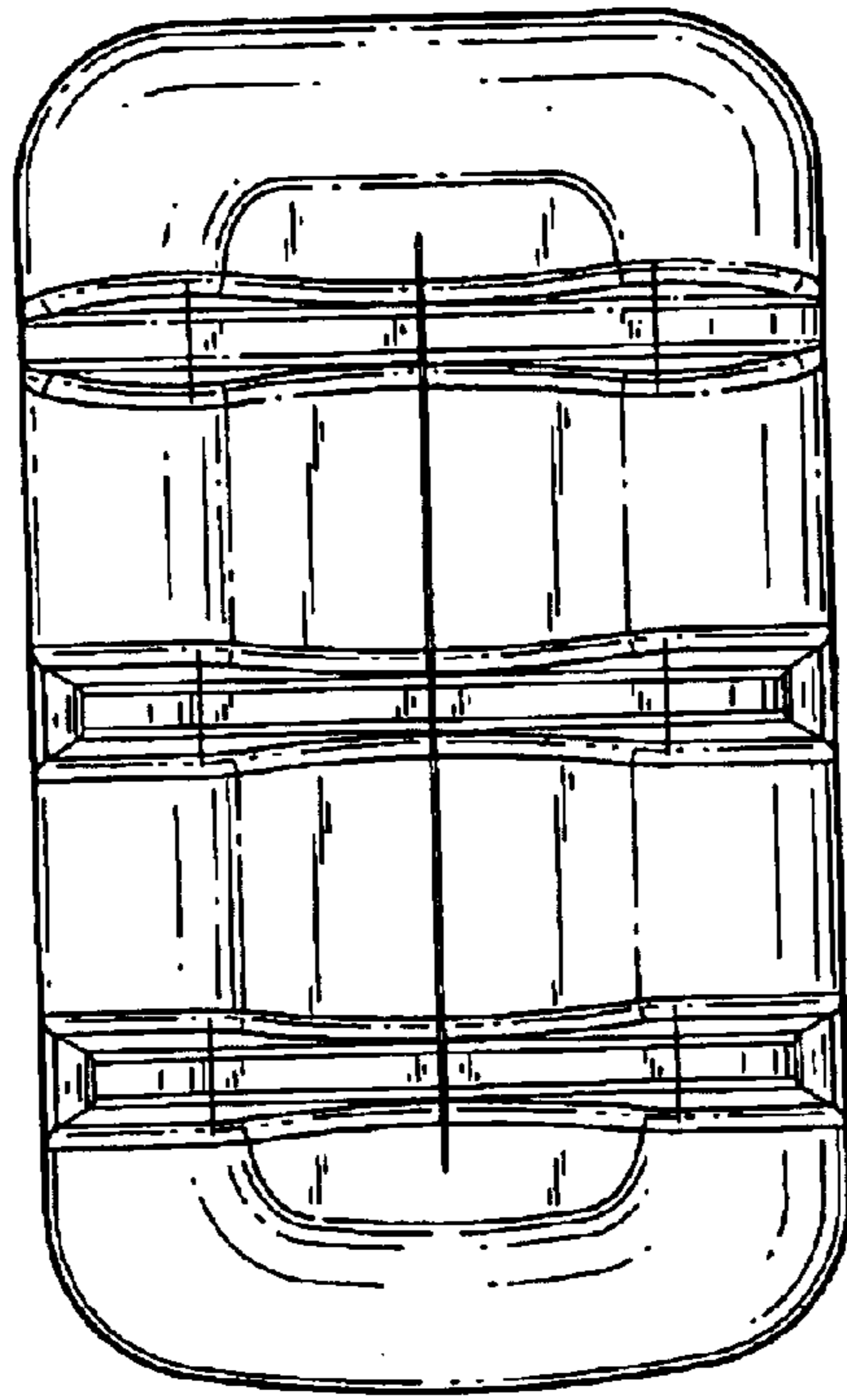


FIG. 7

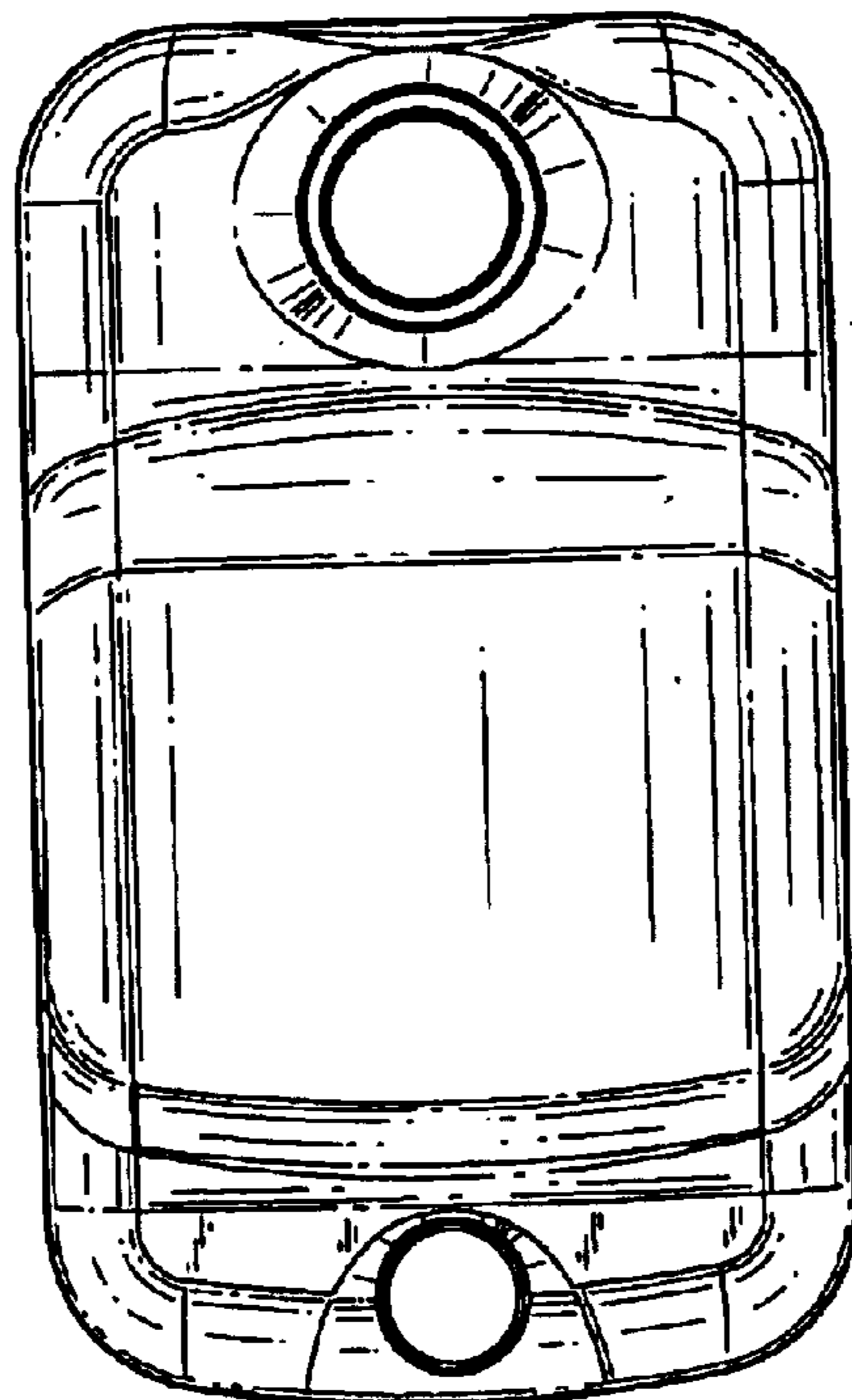


FIG. 6