

US00D504823S

(12) **United States Design Patent**
Nottingham et al.

(10) **Patent No.: US D504,823 S**
(45) **Date of Patent: ** May 10, 2005**

(54) **CONTAINER FOR COATING MATERIALS**

(75) Inventors: **John R. Nottingham**, Bratenahl, OH (US); **John Spirk**, Gates Mills, OH (US); **Dale A. Panasewicz**, Strongsville, OH (US); **Nick E. Stanca**, Westlake, OH (US); **Robert Iredell, IV**, Cleveland Heights, OH (US); **Dennis M. Futo**, Strongsville, OH (US)

(73) Assignee: **The Sherwin-Williams Company**, Cleveland, OH (US)

(**) Term: **14 Years**

(21) Appl. No.: **29/208,270**

(22) Filed: **Jun. 25, 2004**

Related U.S. Application Data

(60) Division of application No. 29/192,099, filed on Oct. 17, 2003, which is a division of application No. 29/161,550, filed on May 31, 2002, now Pat. No. Des. 480,973, which is a continuation-in-part of application No. 29/146,686, filed on Aug. 14, 2001, now Pat. No. Des. 482,973, and a continuation-in-part of application No. 10/126,481, filed on Apr. 18, 2002.

(51) **LOC (7) Cl.** **09-01**

(52) **U.S. Cl.** **D9/528; D9/575**

(58) **Field of Search** D9/416, 454, 520, D9/523-524, 527-528, 530-532, 560, 563-566, 571, 574-575; D3/276, 282; D7/603, 608; D32/53-53.1; D34/39; 156/94, 250, 264; 220/4.27, 23.4, 23.83, 561, 761, 766, 770

(56) **References Cited**

U.S. PATENT DOCUMENTS

3,313,438 A * 4/1967 Piker 215/12.2
D217,231 S * 4/1970 Pashman D9/532 X
3,730,382 A * 5/1973 Heisler 220/790

4,399,926 A * 8/1983 Eidels-Dubovoy 220/288
D323,115 S * 1/1992 Kelsey D9/423
5,269,438 A * 12/1993 Kelsey 220/766
D362,180 S * 9/1995 Haines D9/424
D370,153 S * 5/1996 Chaney et al. D7/608 X
D389,067 S * 1/1998 Lown D9/543
D403,821 S * 1/1999 Kerridge D32/53.1
D472,145 S * 3/2003 Nottingham et al. D9/443
6,530,500 B2 * 3/2003 Bravo et al. 222/143
D482,973 S * 12/2003 Nottingham et al. D9/531
2002/0195471 A1 * 12/2002 Nottingham et al. 222/570
2004/0011831 A1 * 1/2004 McDonald et al. 222/567
2004/0026450 A1 * 2/2004 Rohr et al. 222/109

* cited by examiner

Primary Examiner—Carol Rademaker

(74) *Attorney, Agent, or Firm*—Eryn Ace Fuhrer; Robert E. McDonald; Calfee, Halter & Griswold, LLP

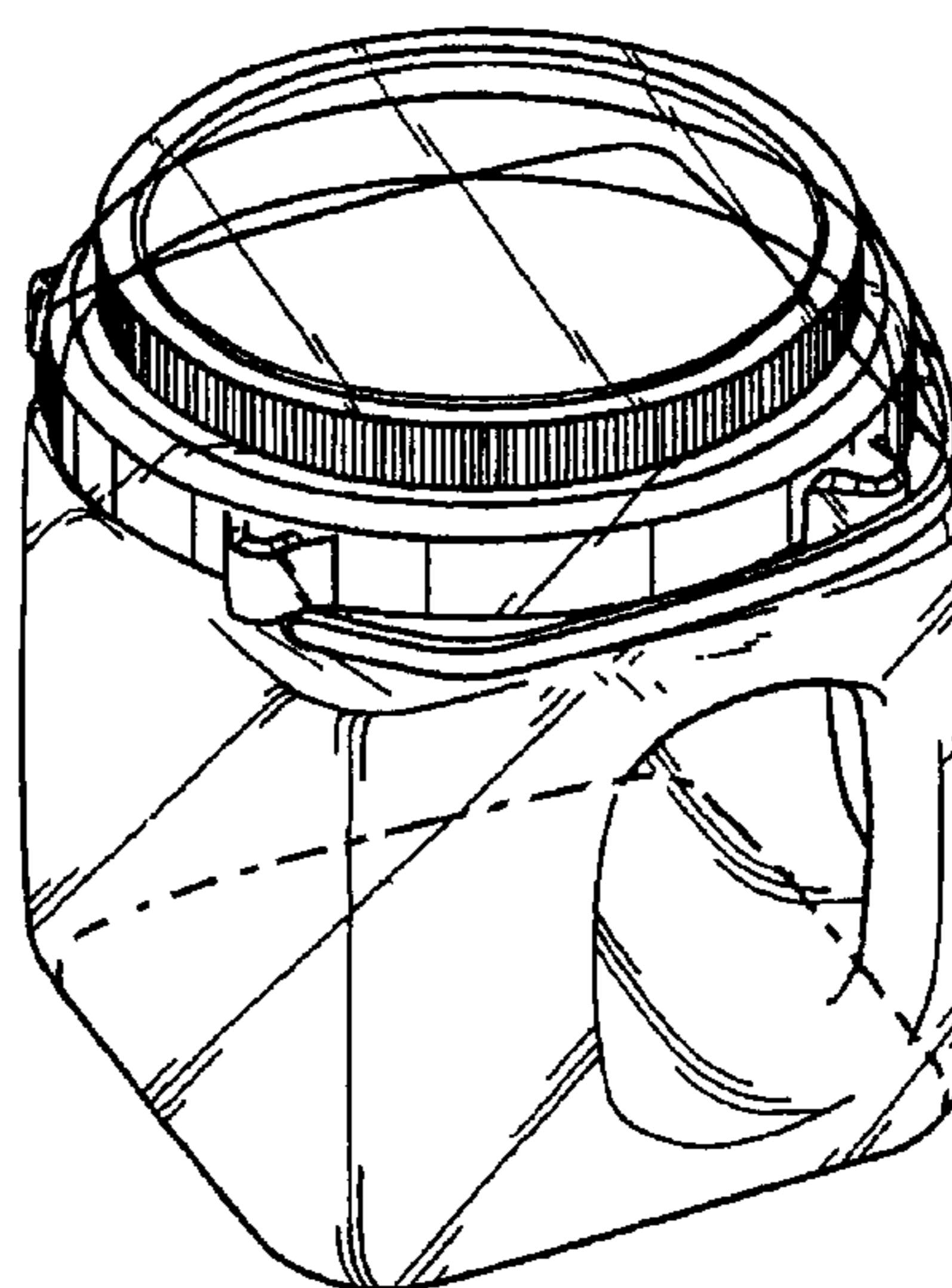
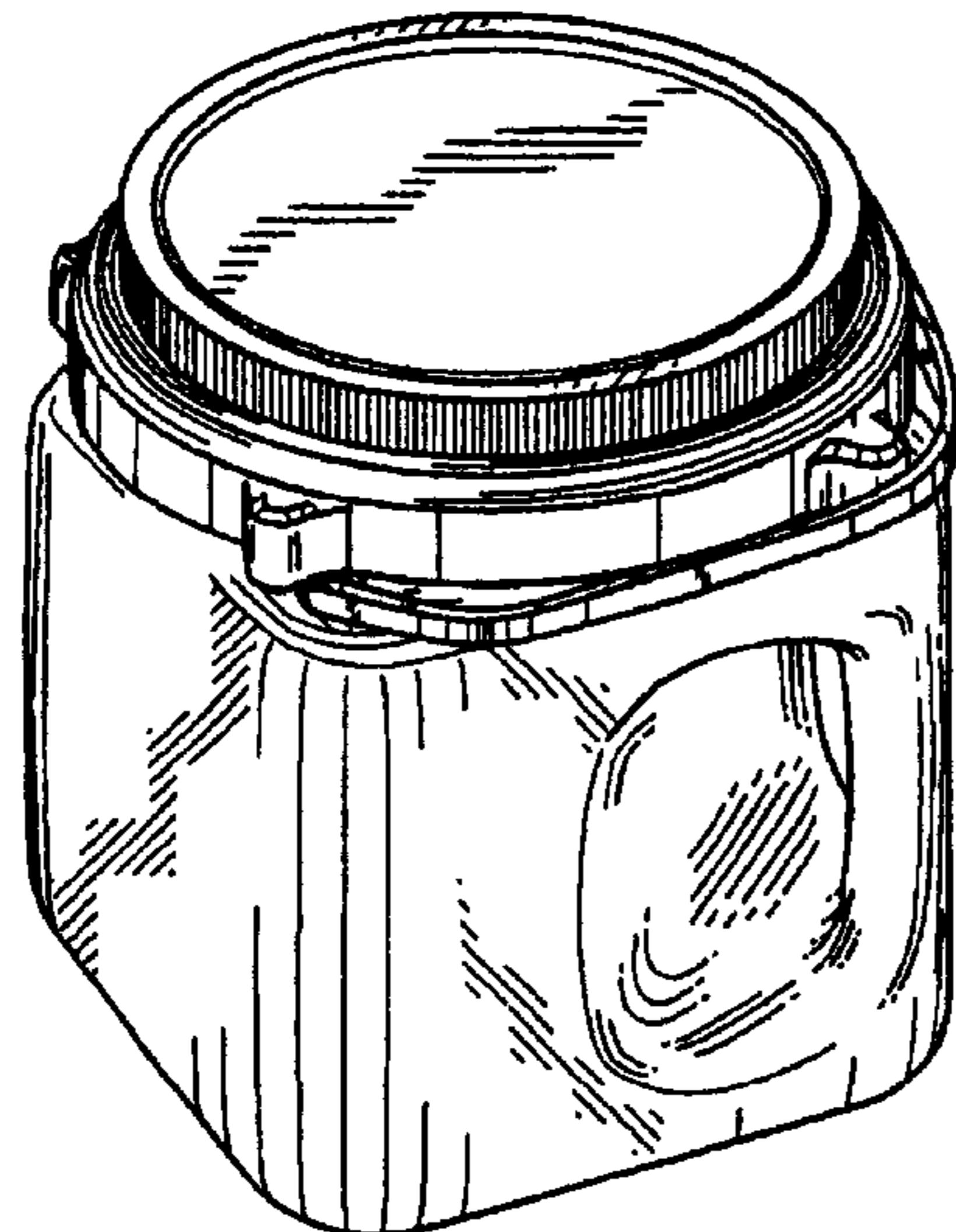
(57) **CLAIM**

The ornamental design for a container for coating materials, as shown and described.

DESCRIPTION

FIG. 1 is a perspective view of a first embodiment of a container for coating materials embodying our design; FIG. 2 is a front elevational view thereof; FIG. 3 is a top plan view thereof; FIG. 4 is a left side elevational view thereof; FIG. 5 is a right side elevational view thereof. FIG. 6 is a perspective view of a second embodiment of a container for coating materials embodying our design; FIG. 7 is a front elevational view thereof; FIG. 8 is a top plan view thereof; FIG. 9 is a left side elevational view thereof; and, FIG. 10 is a right side elevational view thereof. The dot-dash-dot line shown in FIG. 6 defines the boundary of the claimed design.

1 Claim, 4 Drawing Sheets



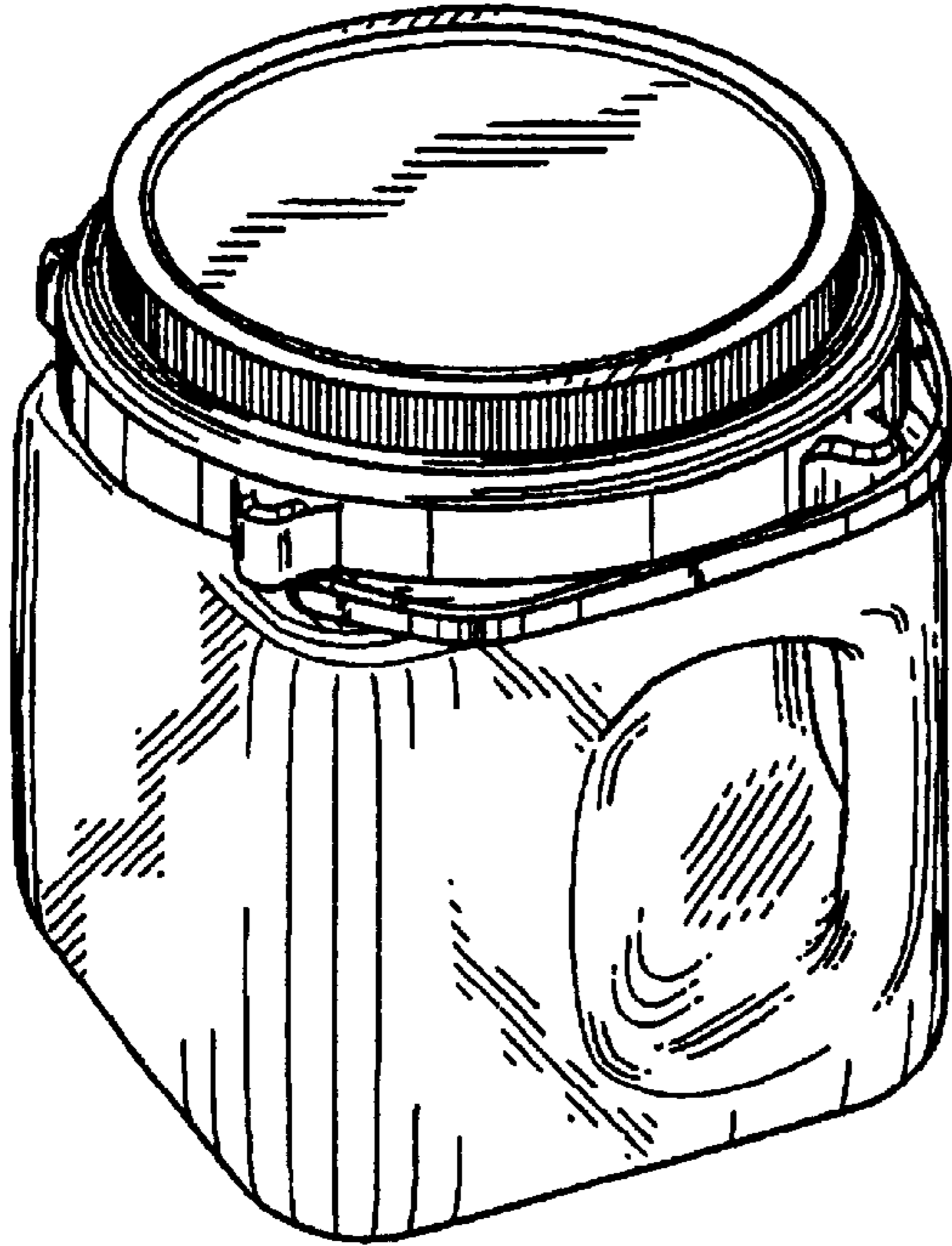


FIG. 1

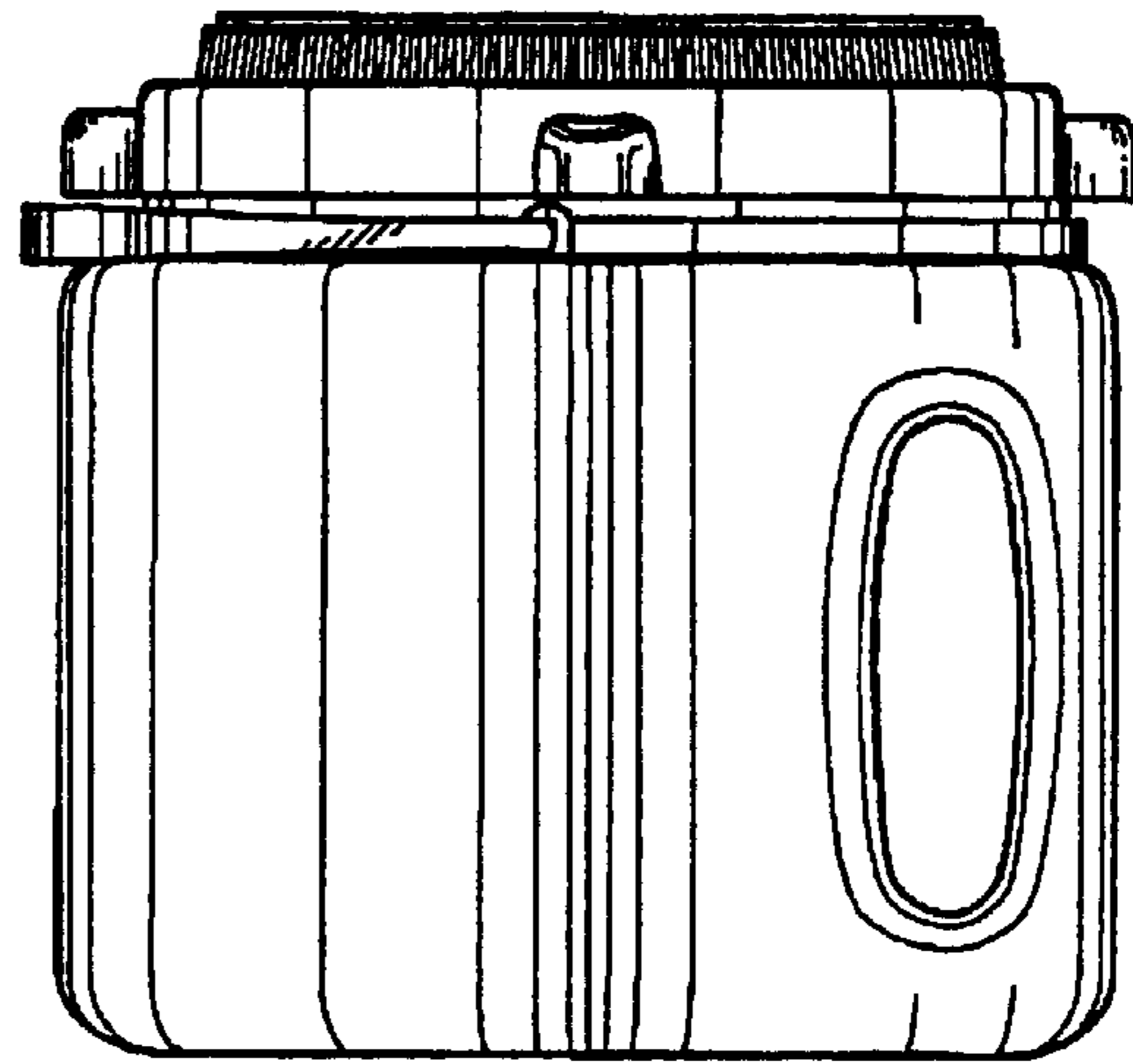


FIG. 2

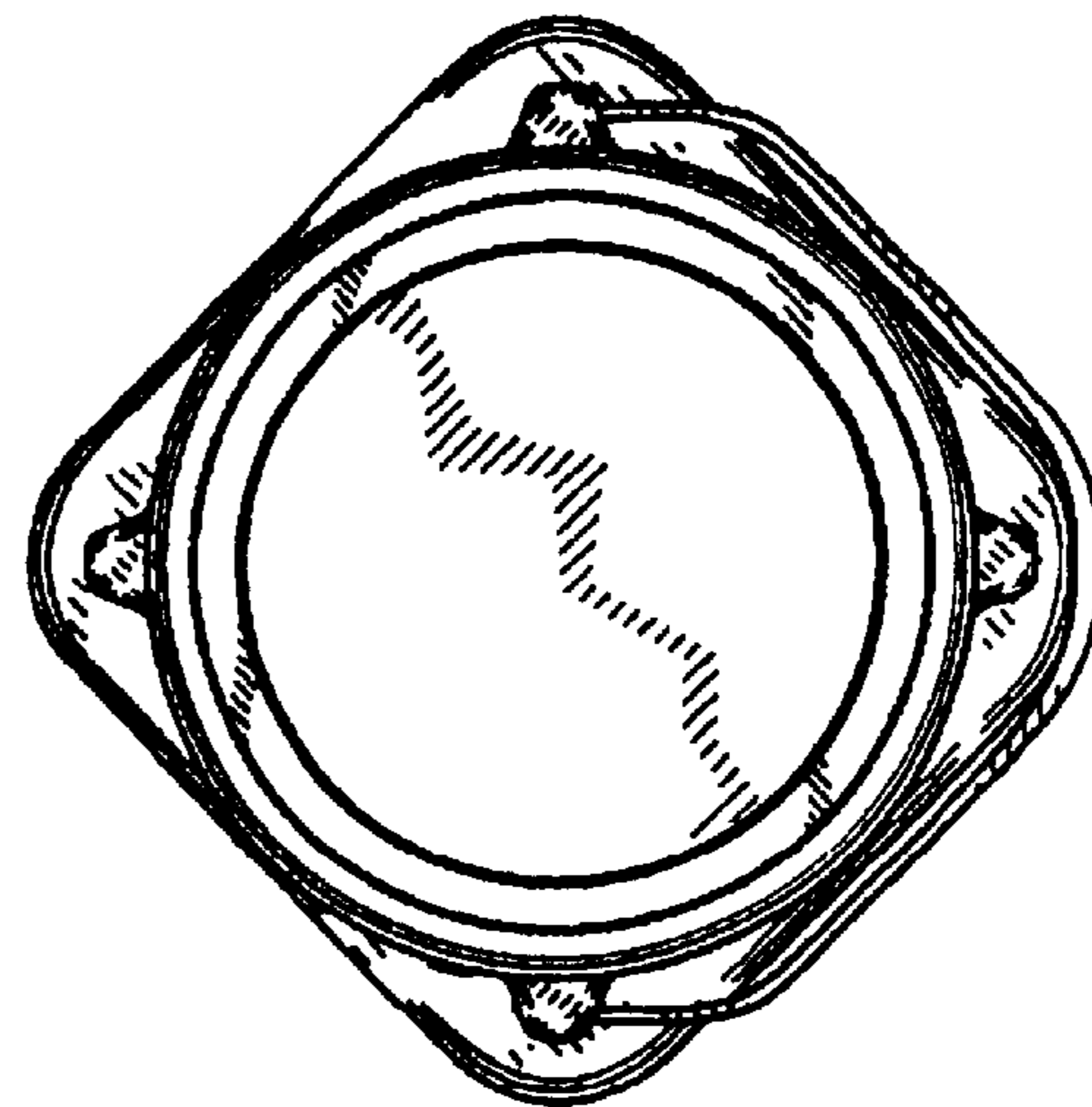


FIG. 3

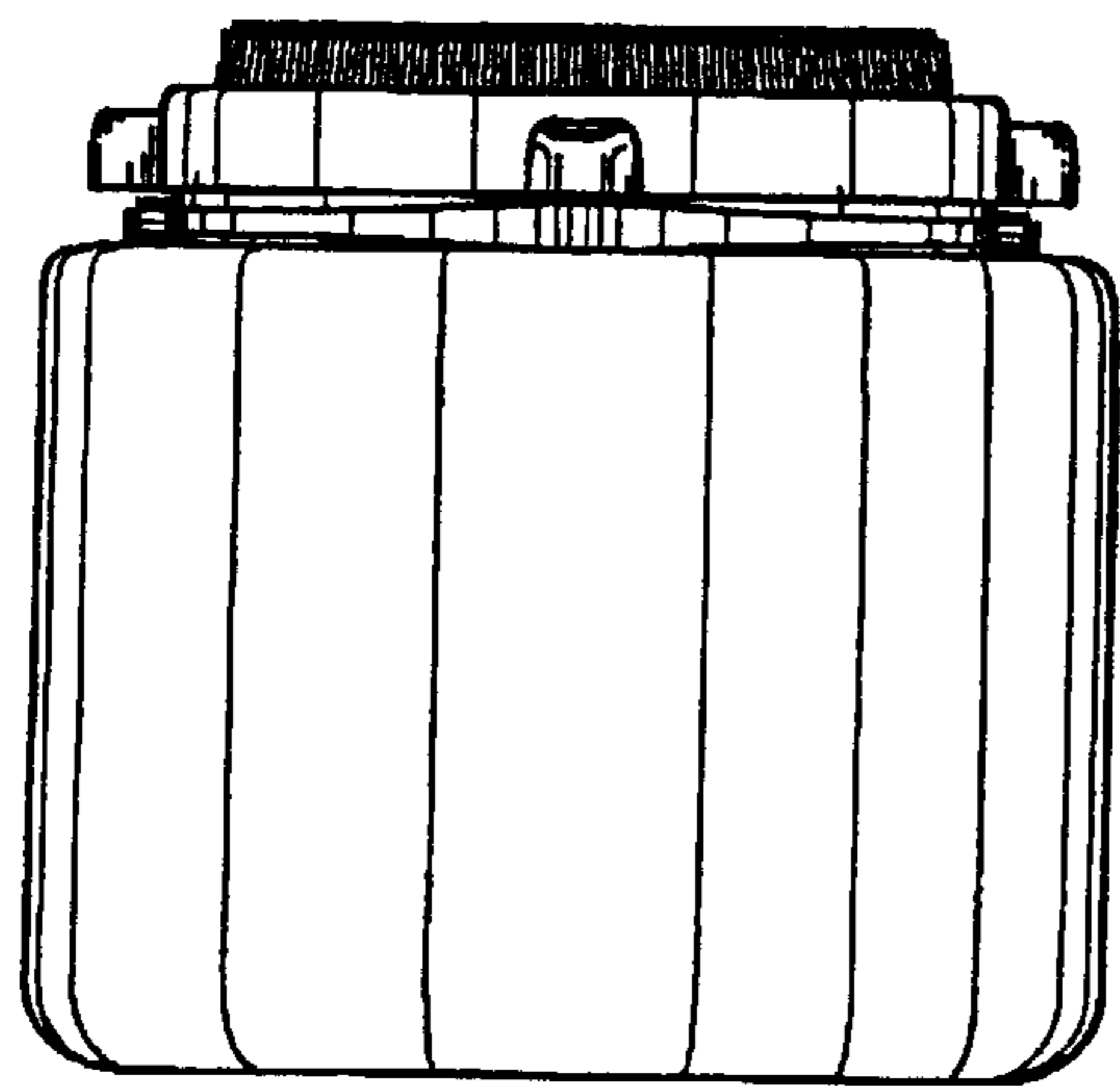


FIG. 4

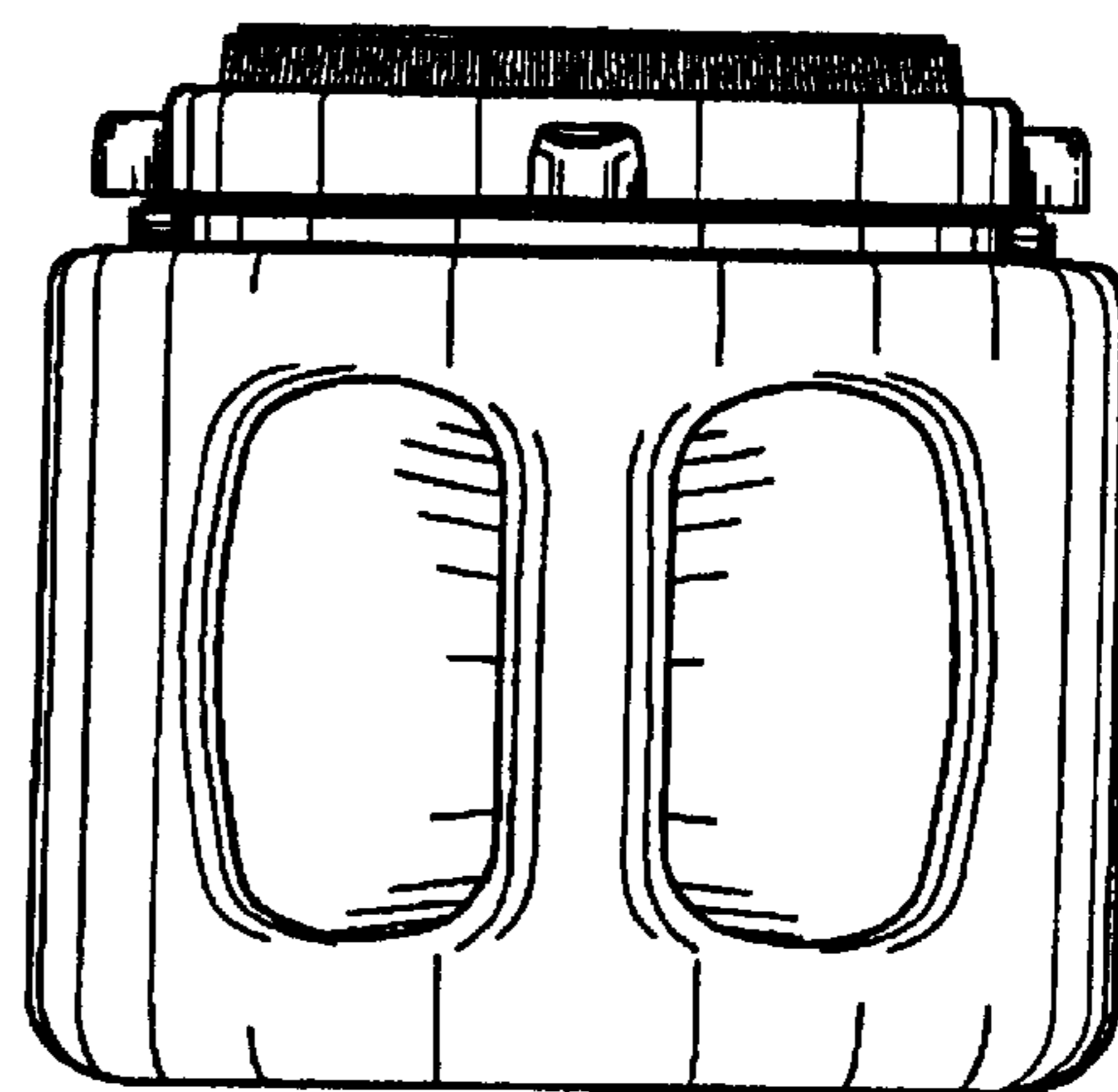


FIG. 5

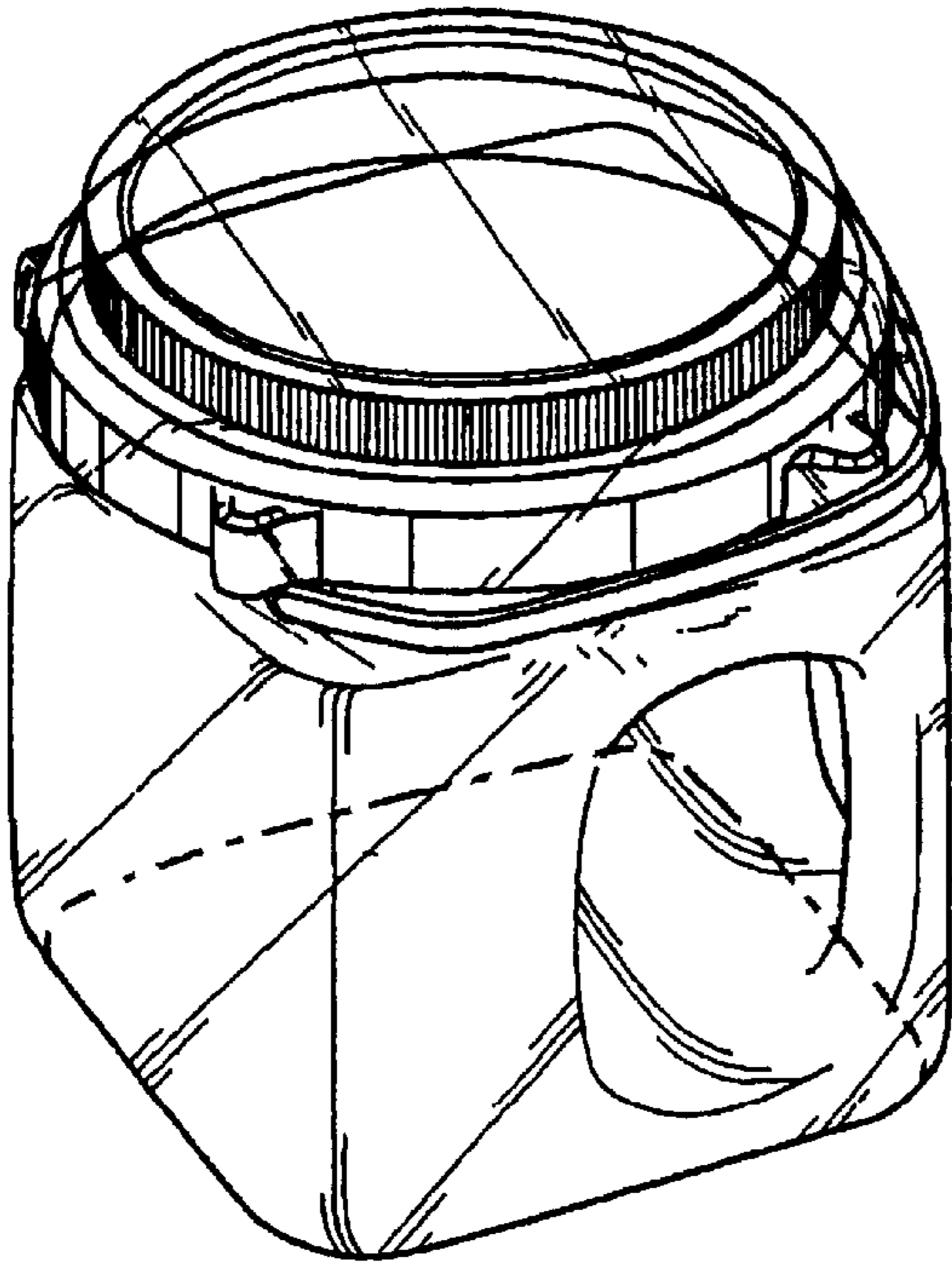


FIG. 6

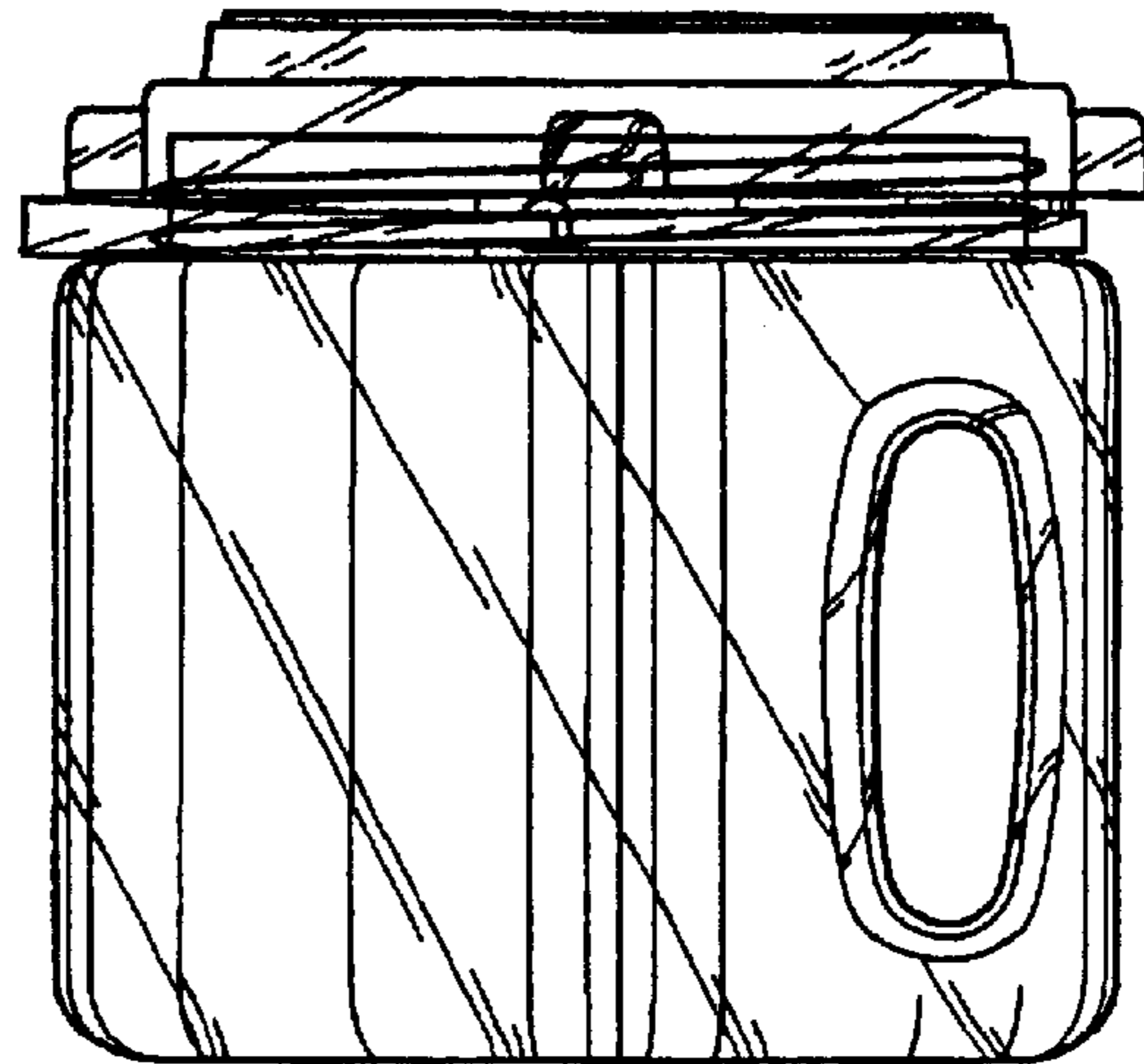


FIG. 7

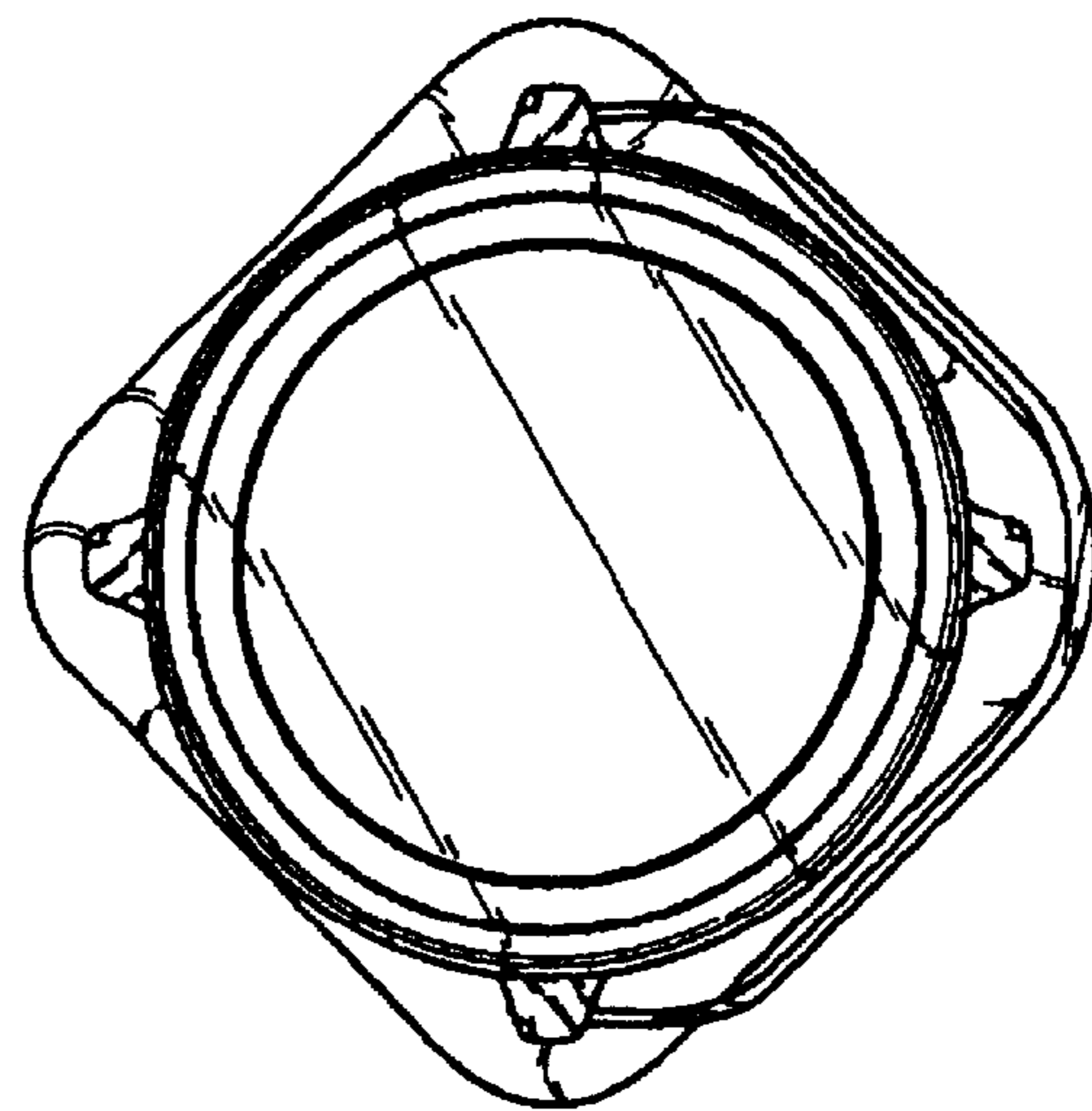


FIG. 8

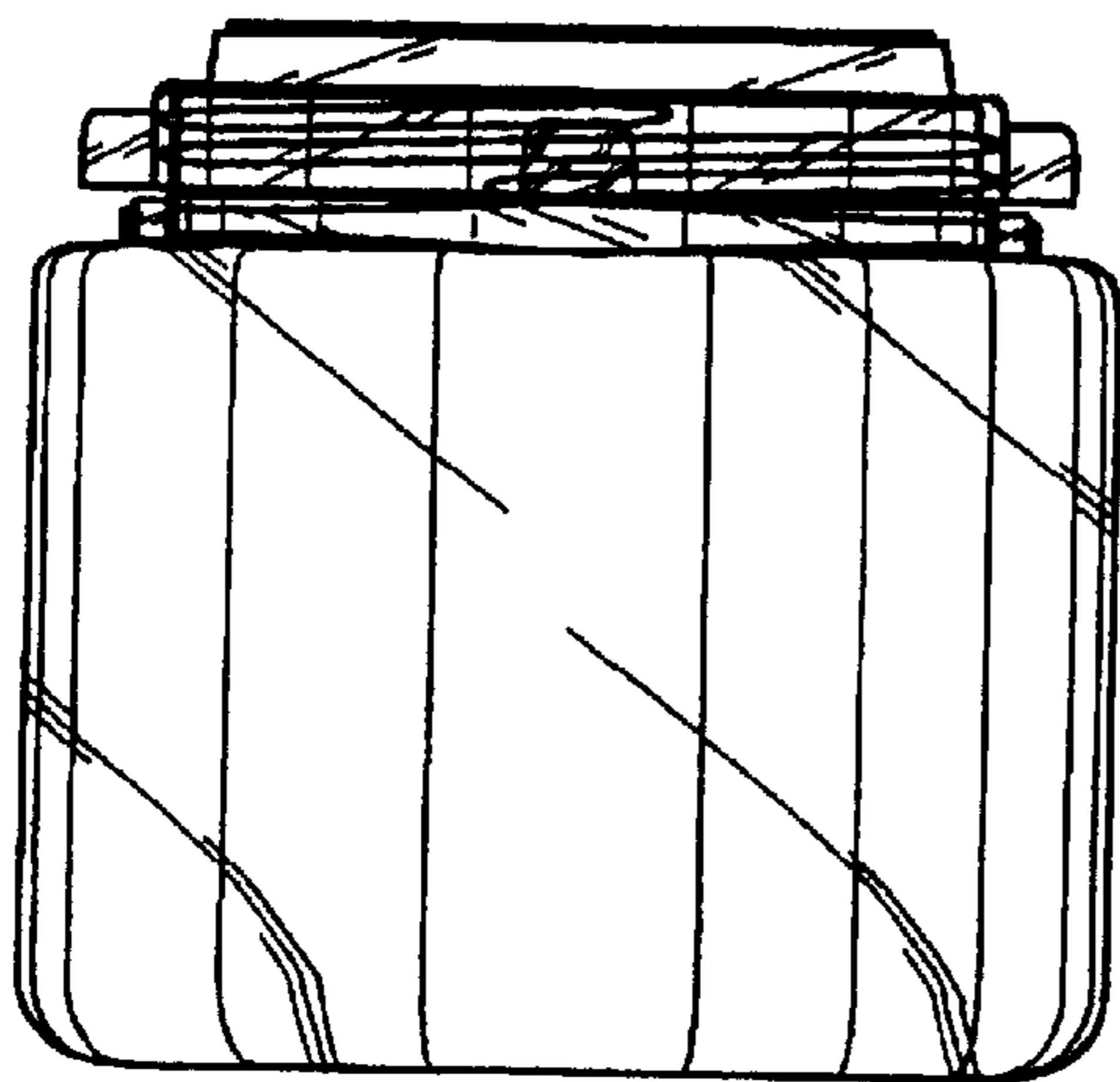


FIG. 9

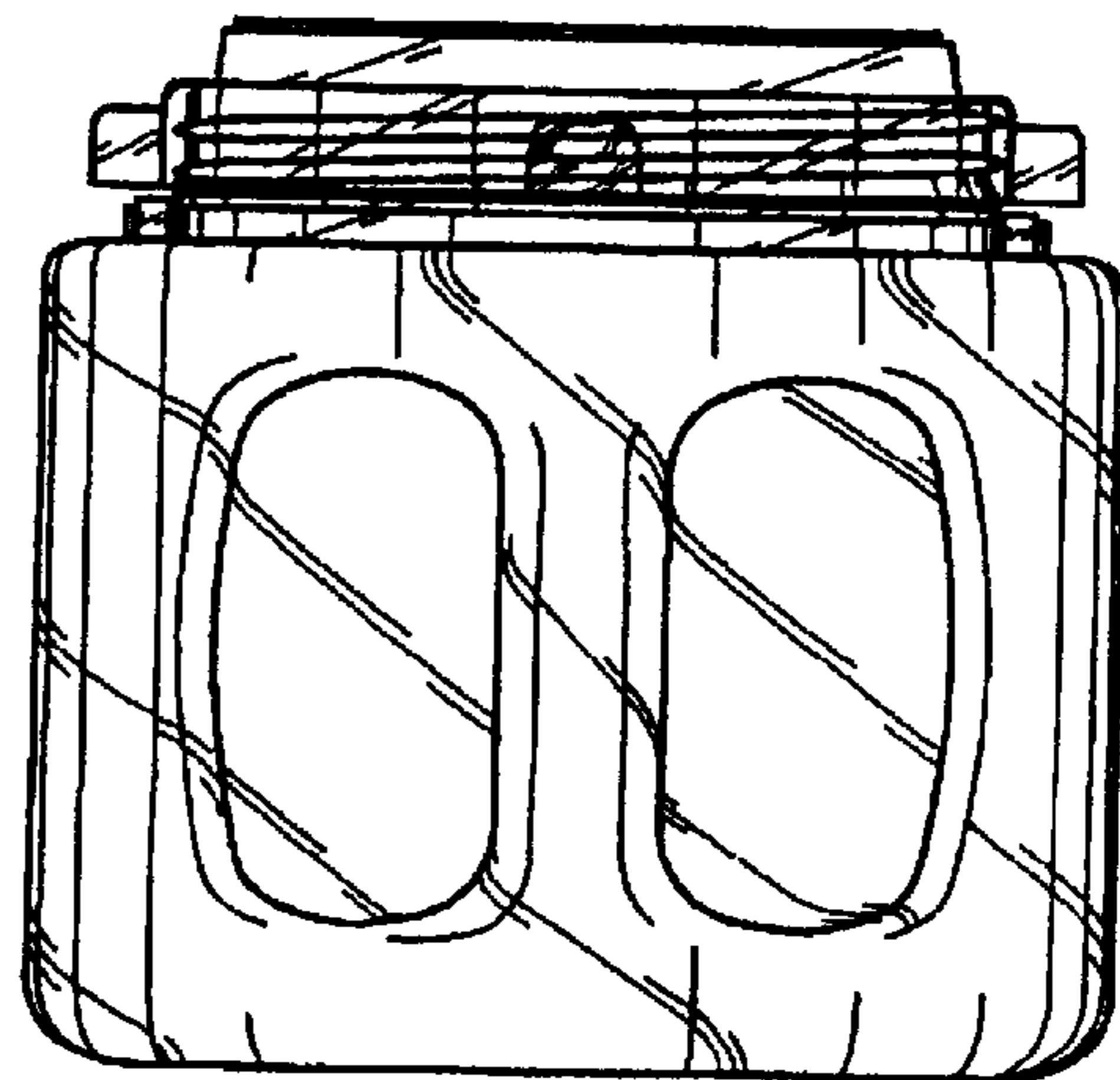


FIG. 10