

US00D504816S

(12) **United States Design Patent**  
**Chien**

(10) **Patent No.:** **US D504,816 S**

(45) **Date of Patent:** **\*\* May 10, 2005**

(54) **FULL FUNCTION TRIGGER SPRAYER**

(75) **Inventor:** **Yen-Liang Chien, Taipei (TW)**

(73) **Assignee:** **Tops Equipment & Tools Co., Ltd., Taipei (TW)**

(\*\*) **Term:** **14 Years**

(21) **Appl. No.:** **29/197,296**

(22) **Filed:** **Jan. 14, 2004**

(51) **LOC (7) Cl.** ..... **09-07**

(52) **U.S. Cl.** ..... **D9/448; D23/213**

(58) **Field of Search** ..... **D23/213, 225, D23/226; D9/300, 448; 239/333; 222/402.15, 402.1, 383.1**

(56) **References Cited**

**U.S. PATENT DOCUMENTS**

D24,153 S	*	3/1895	Tada	.....	D23/345
D242,351 S	*	11/1976	Tada	.....	D23/226
D351,646 S	*	10/1994	Foster et al.	.....	D23/226
D373,313 S	*	9/1996	Lin	.....	D9/448

5,639,025 A	*	6/1997	Bush	.....	239/333
6,041,969 A	*	3/2000	Parise	.....	222/129
6,053,372 A	*	4/2000	Abedi	.....	222/383.1
D447,415 S	*	9/2001	Spengler	.....	D9/448

\* cited by examiner

*Primary Examiner*—Robin V. Taylor

(74) *Attorney, Agent, or Firm*—Rosenberg, Klein & Lee

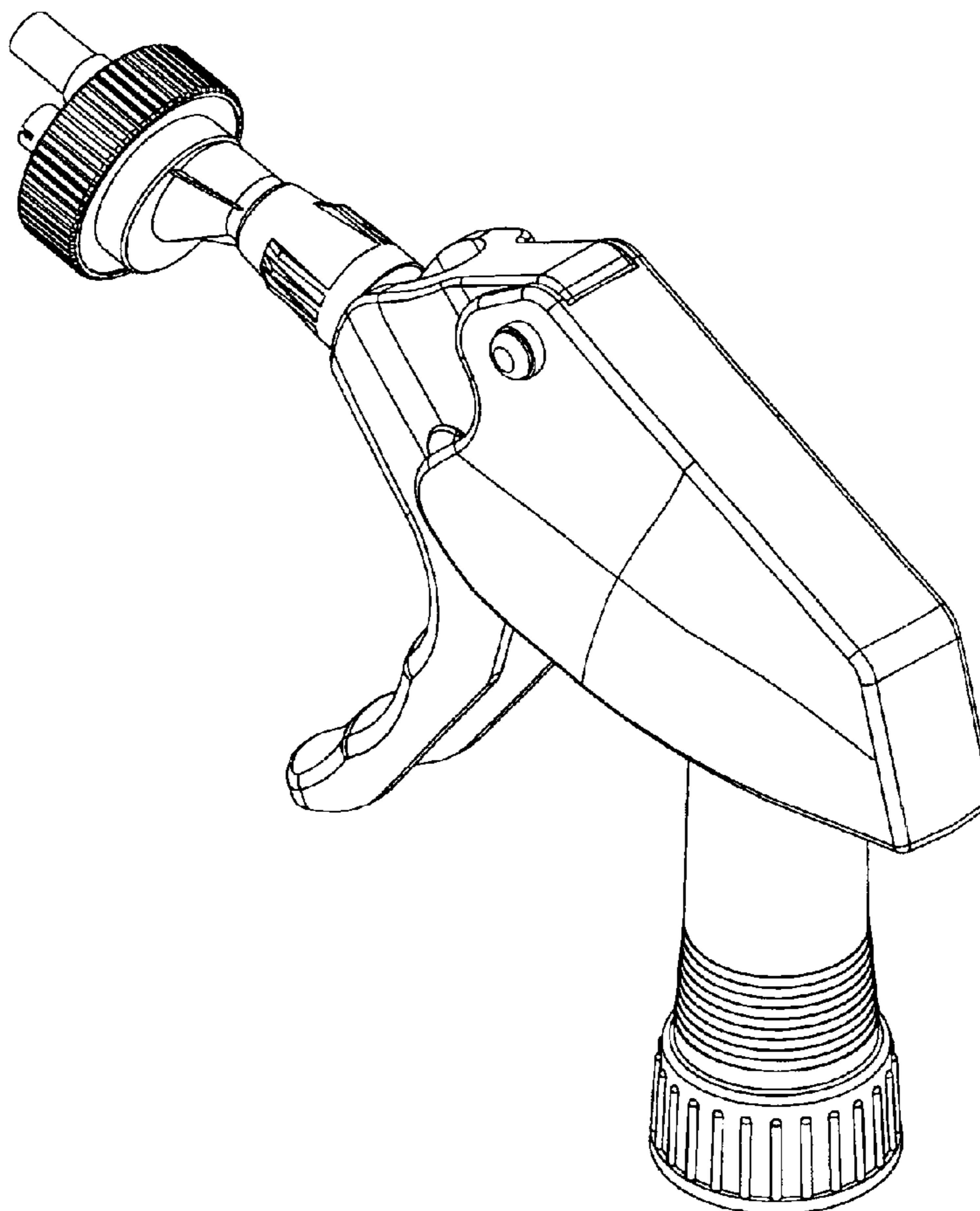
(57) **CLAIM**

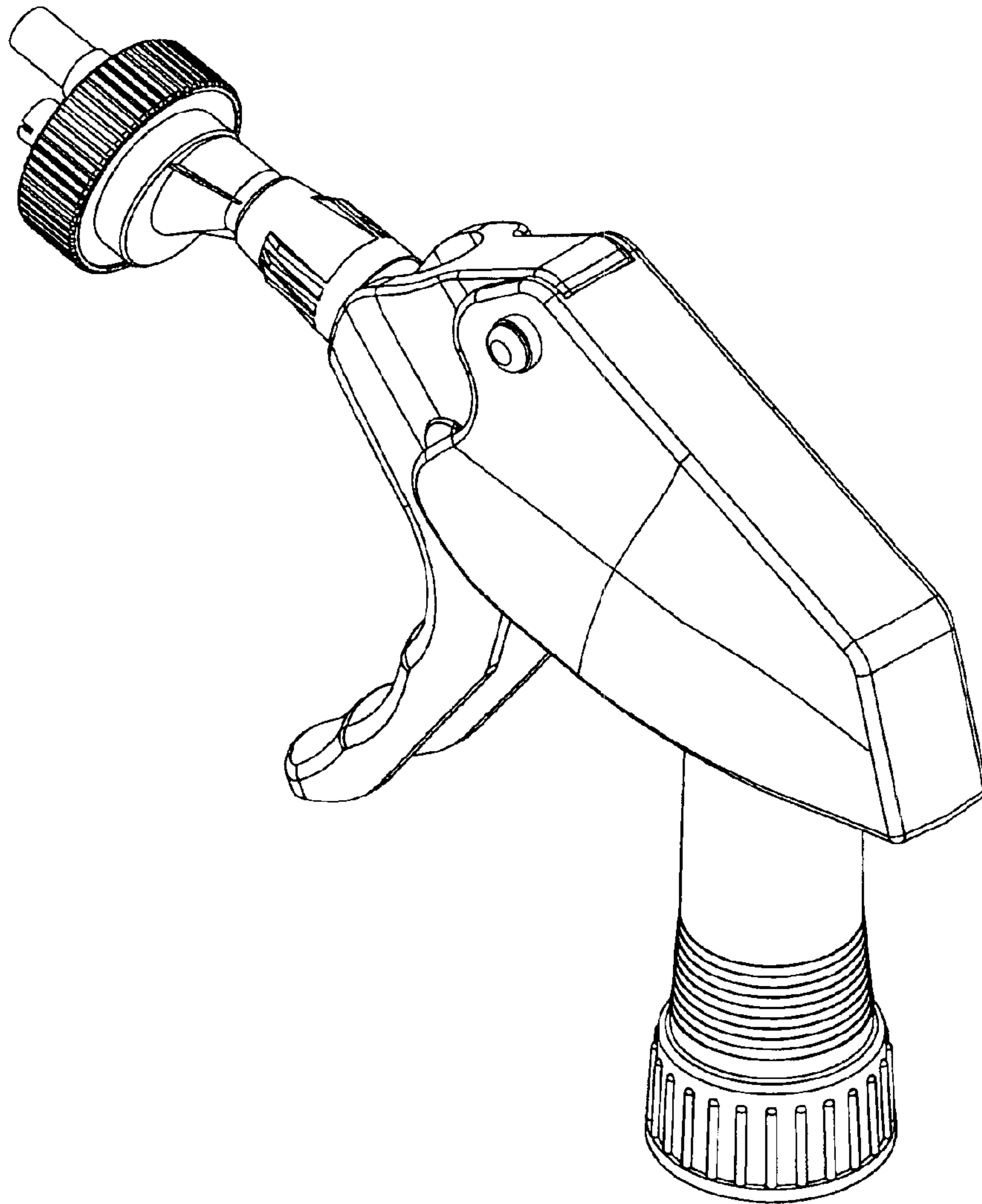
The ornamental design for a full function trigger sprayer, as shown.

**DESCRIPTION**

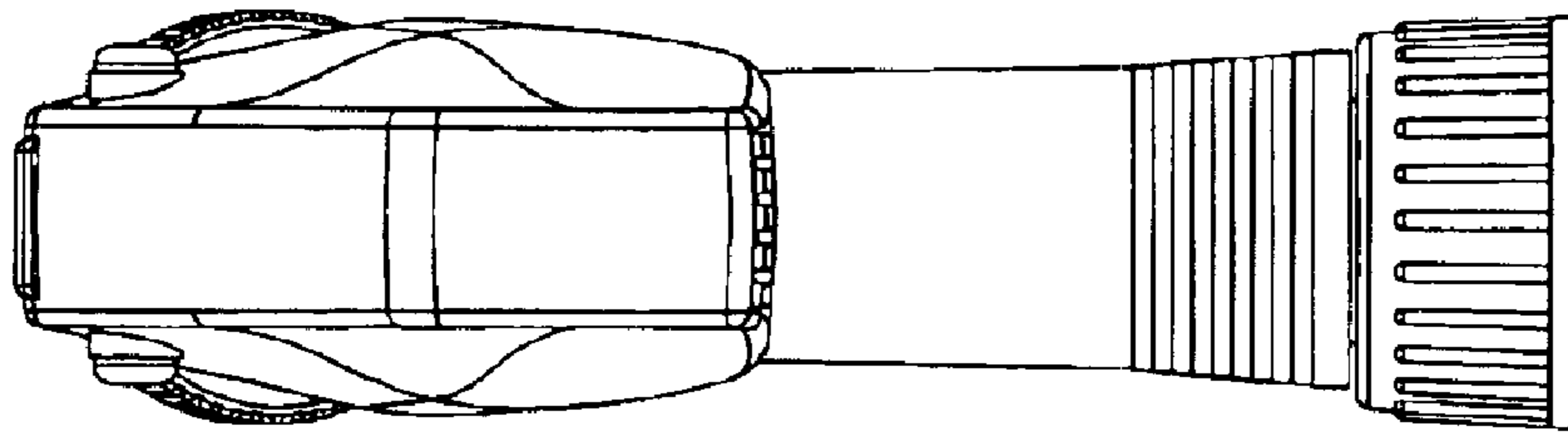
FIG. 1 is a front right perspective view of a full function trigger sprayer showing my new design; FIG. 2 is a front perspective view thereof; FIG. 3 is a rear perspective view thereof; FIG. 4 is a left side elevation view thereof; FIG. 5 is a right side elevation view thereof; FIG. 6 is a top plan view thereof; and, FIG. 7 is a bottom plan view thereof.

**1 Claim, 4 Drawing Sheets**

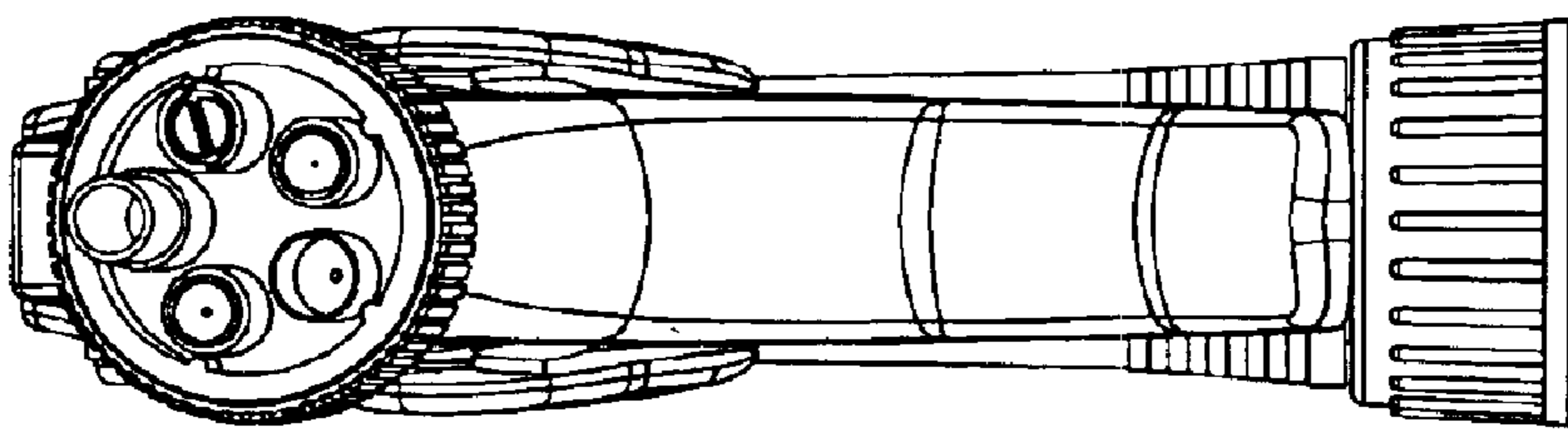




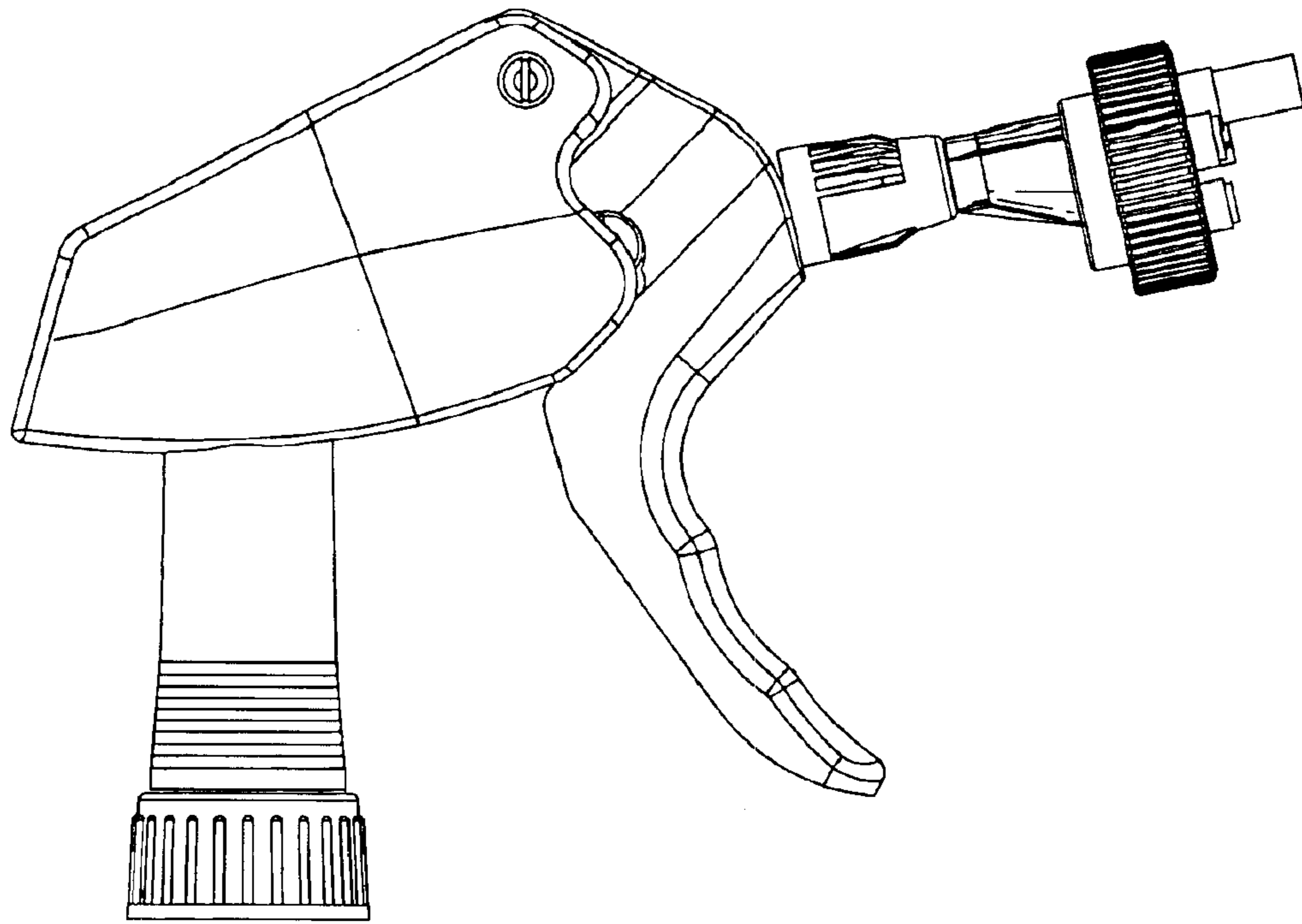
*FIG 1*



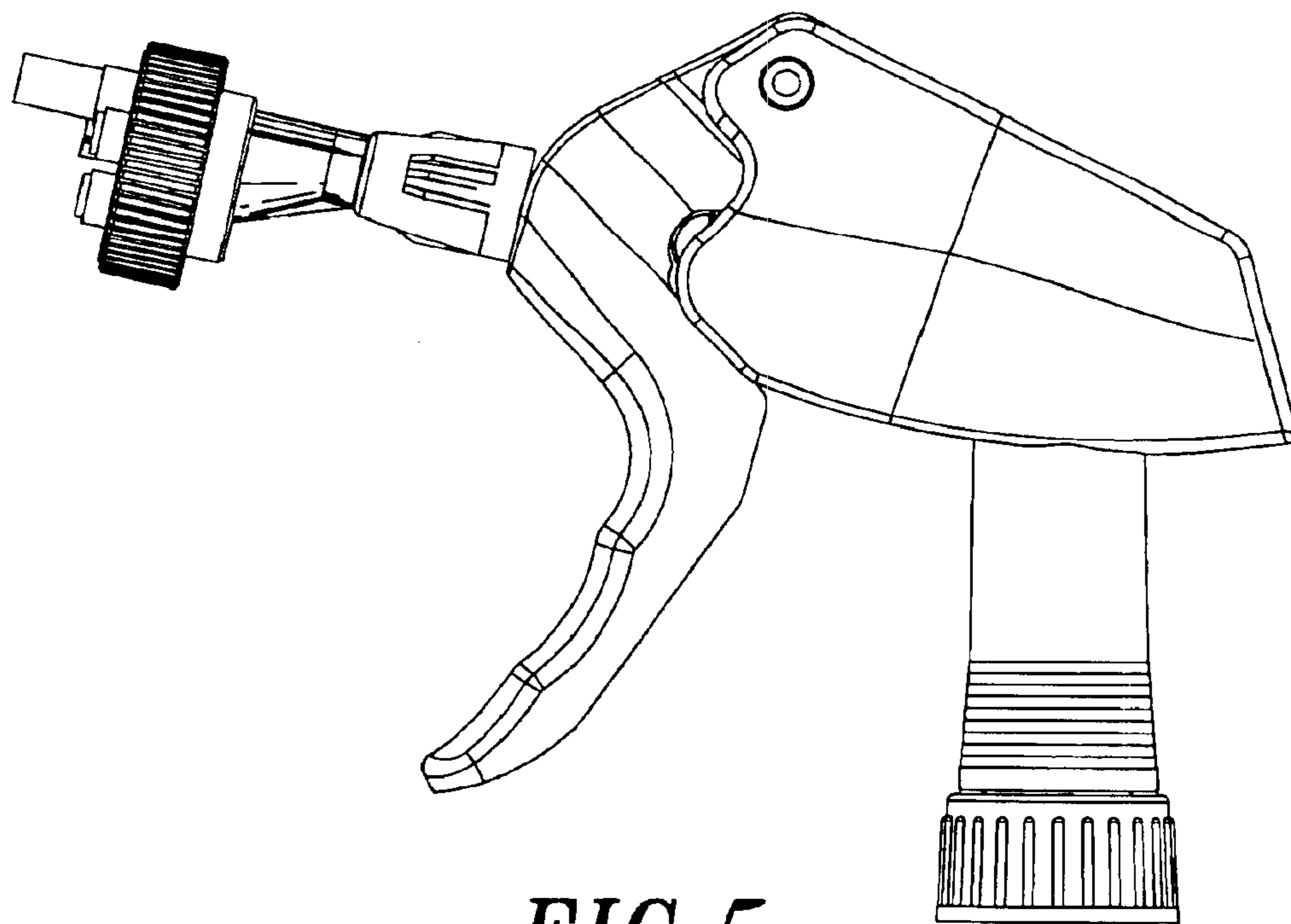
*FIG. 3*



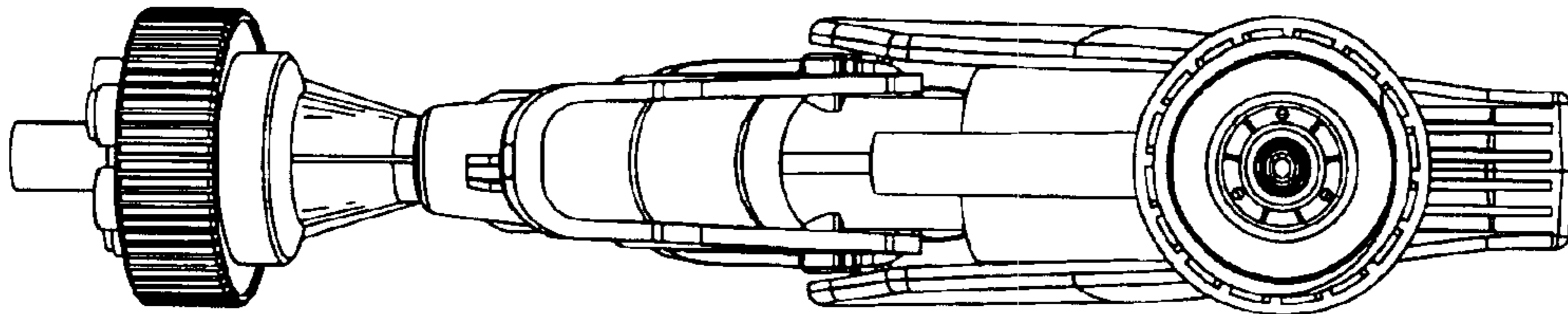
*FIG. 2*



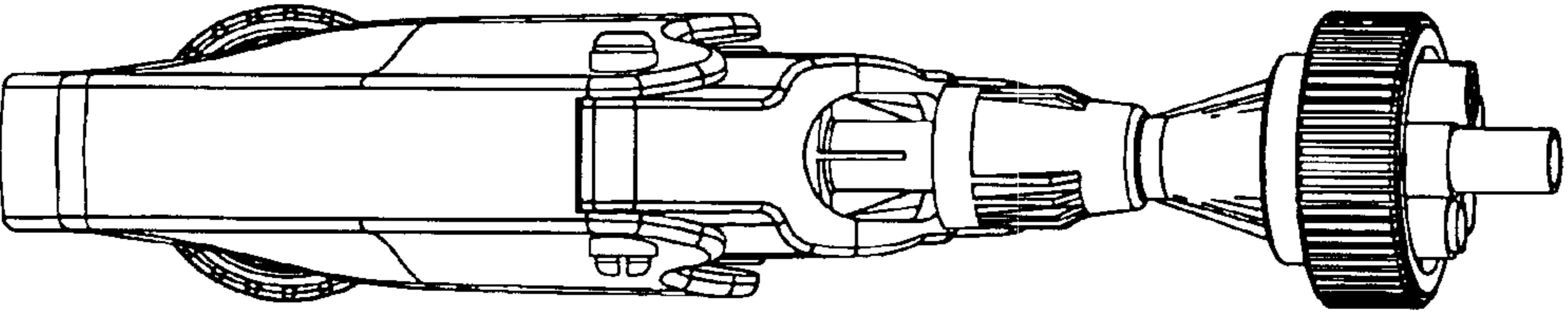
*FIG. 4*



*FIG. 5*



*FIG. 7*



*FIG. 6*