

US00D504813S

(12) **United States Design Patent**
Chou

(10) **Patent No.:** **US D504,813 S**

(45) **Date of Patent:** **** May 10, 2005**

(54) **SEAL CONTAINER**

D468,637 S * 1/2003 Chou D9/425
D470,048 S * 2/2003 Buchalski et al. D9/425

(76) **Inventor:** **Shin-Jai Chou**, 3rd Fl., No. 17, Pao Ching Street, Hsintien City, Taipei Hsien (TW)

* cited by examiner

(**) **Term:** **14 Years**

Primary Examiner—Stella Reid
Assistant Examiner—Mark A. Goodwin
(74) *Attorney, Agent, or Firm*—Rosenberg, Klein & Lee

(21) **Appl. No.:** **29/204,283**

(57) **CLAIM**

(22) **Filed:** **Apr. 28, 2004**

The ornamental design for a seal container, as shown and described.

(51) **LOC (7) Cl.** **09-03**

(52) **U.S. Cl.** **D9/425; D9/432**

(58) **Field of Search** D9/761, 760, 759, D9/758, 756, 737, 418, 425, 426, 428, 429, 430, 431, 432; D7/550, 555, 602, 560-562; 220/555-557; 426/106

DESCRIPTION

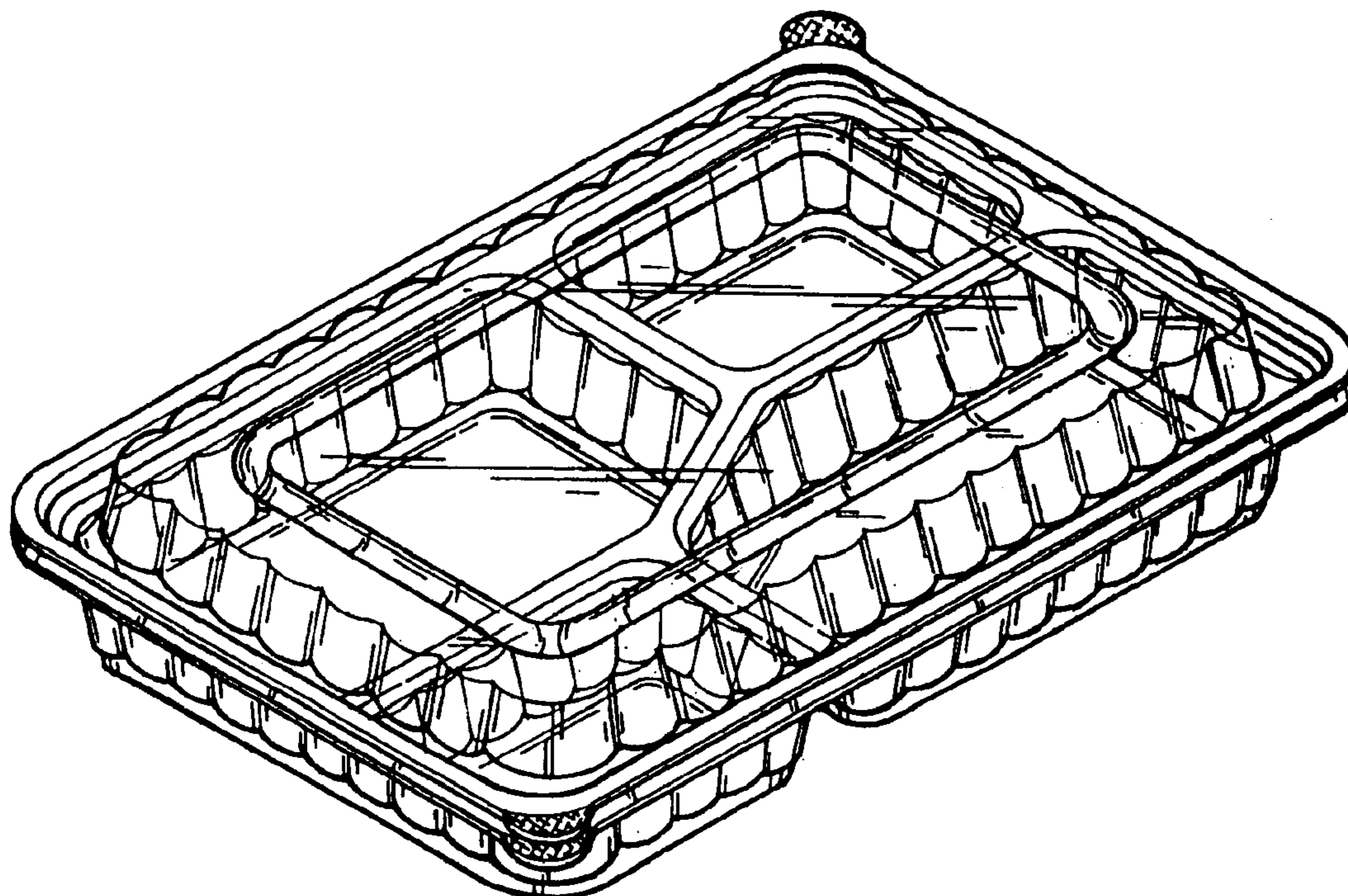
FIG. 1 is a perspective view of a seal container showing my new design;
FIG. 2 is bottom perspective view of a seal container showing my new design;
FIG. 3 is a front view thereof;
FIG. 4 is a rear view thereof;
FIG. 5 is a left elevational view thereof;
FIG. 6 is a right side elevational view thereof;
FIG. 7 is a top plan view thereof; and,
FIG. 8 is a bottom plan view thereof.

(56) **References Cited**

U.S. PATENT DOCUMENTS

D276,216 S * 11/1984 Michaud D9/425
D348,608 S * 7/1994 Wyslowsky D9/425
D374,819 S * 10/1996 Wells D9/425
D388,699 S * 1/1998 Hayes et al. D9/761
D414,409 S * 9/1999 Sanfilippo et al. D9/761

1 Claim, 5 Drawing Sheets



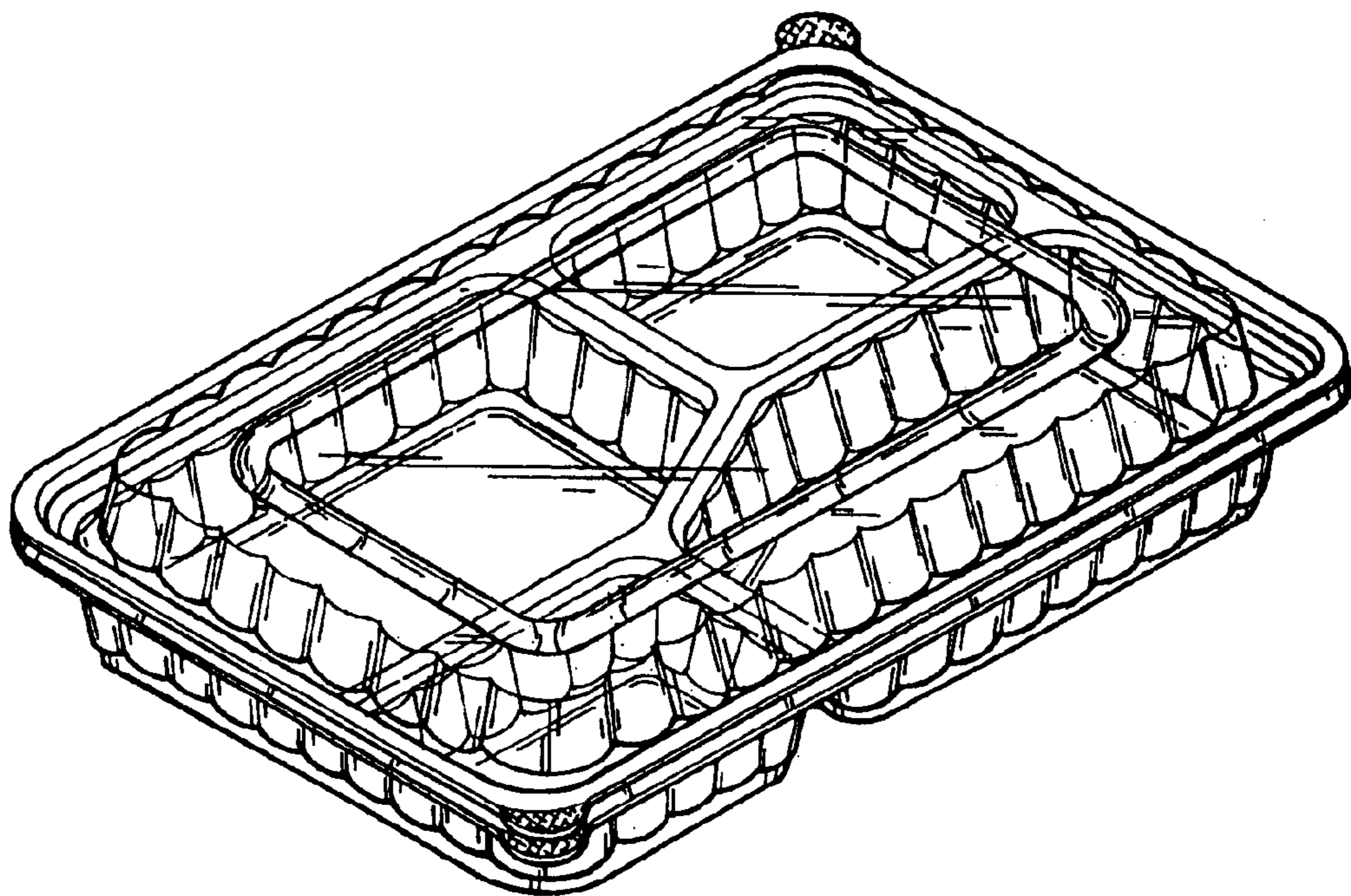


FIG. 1

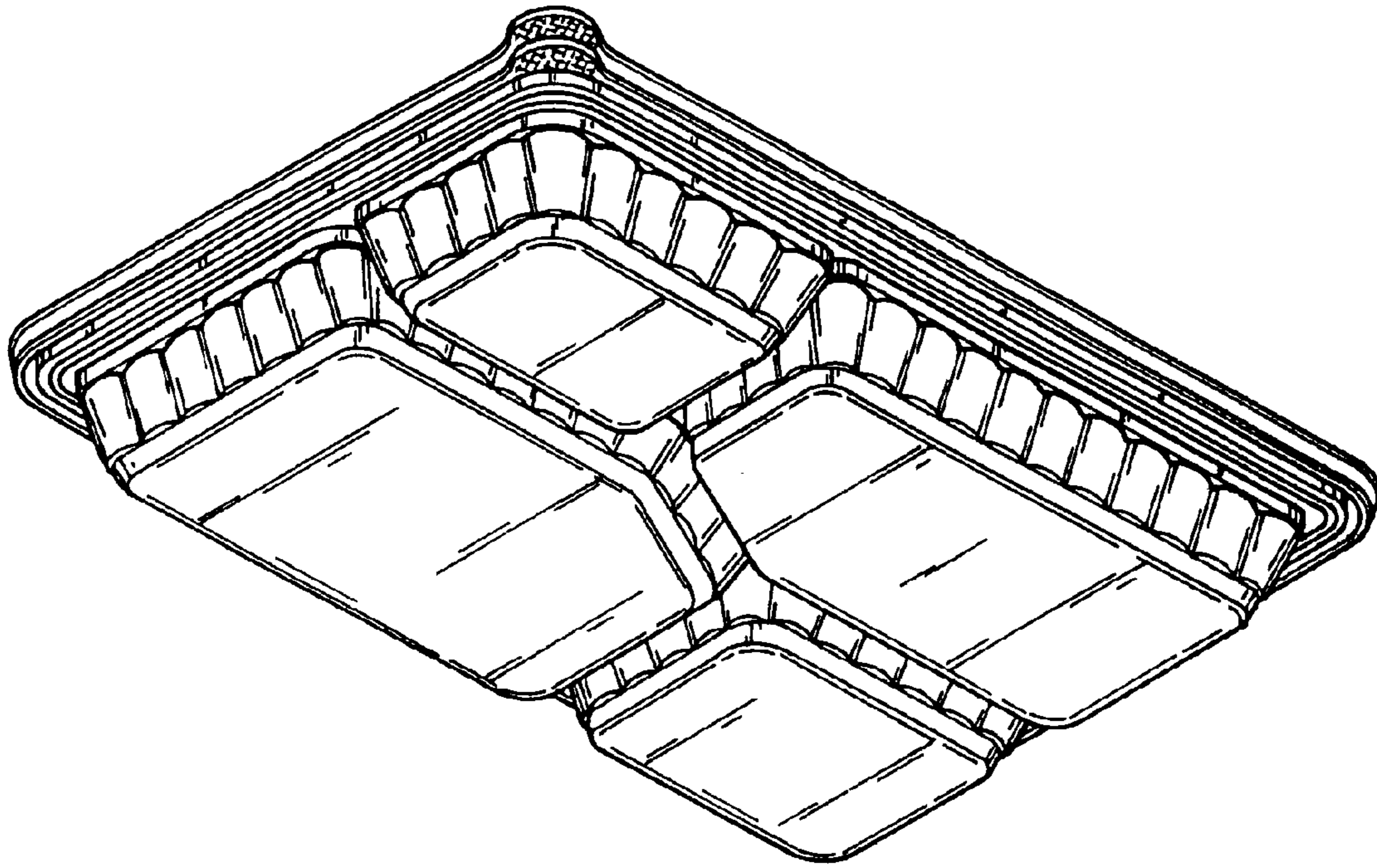


FIG. 2

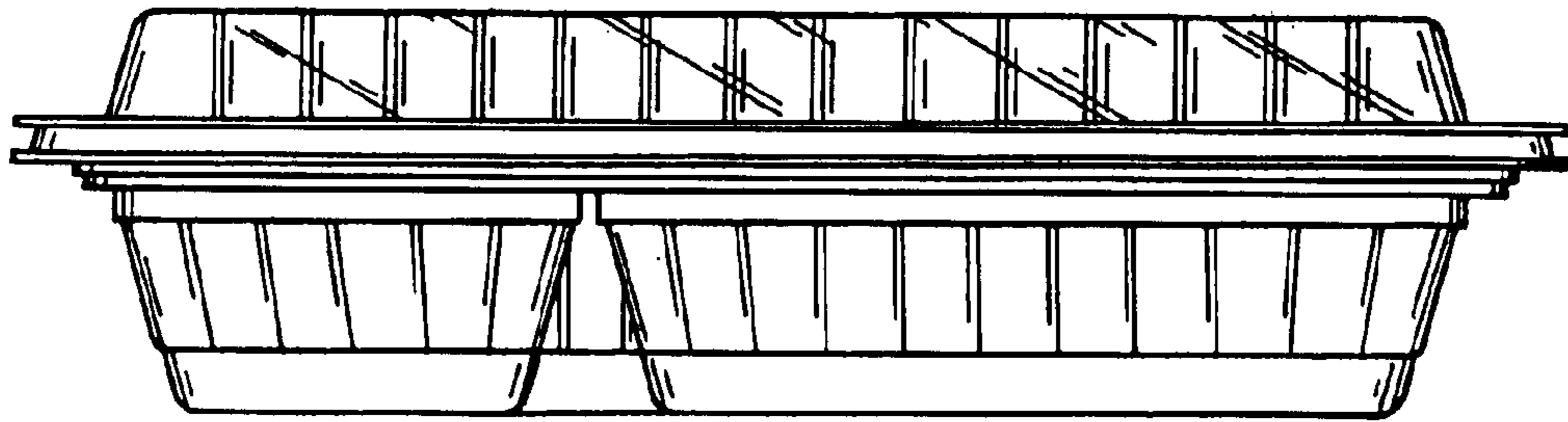


FIG. 3

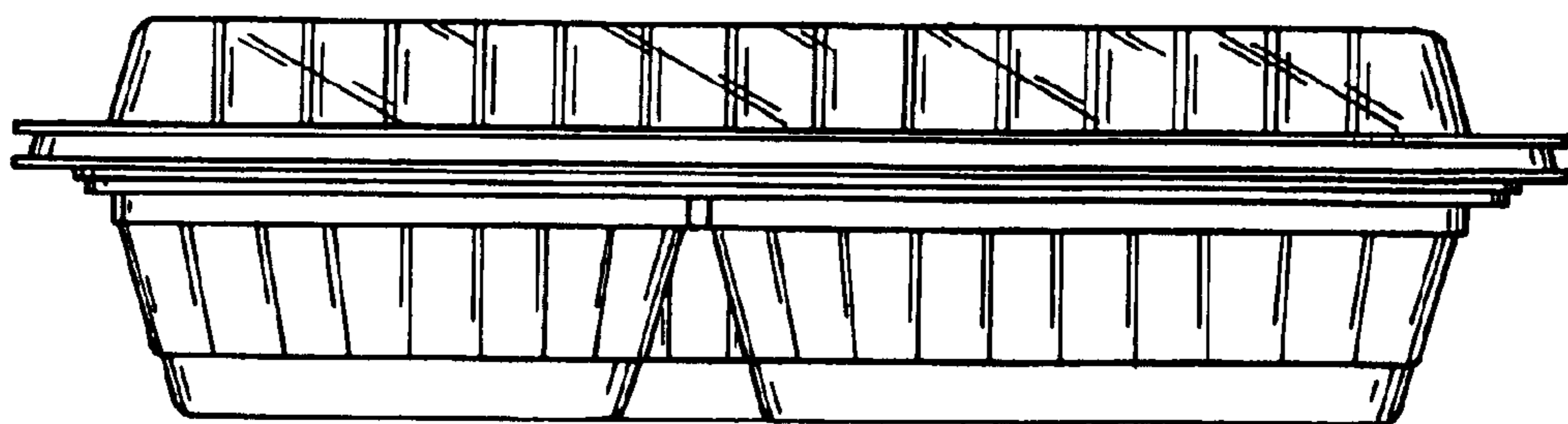


FIG. 4

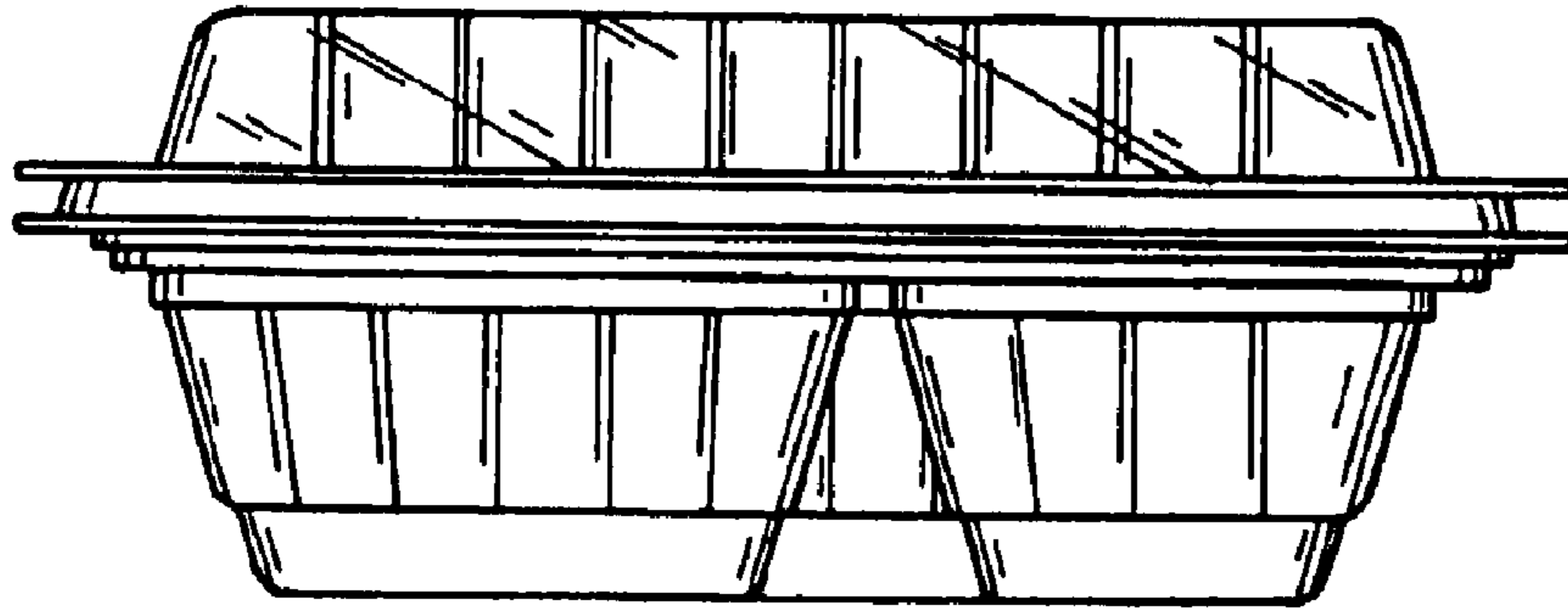


FIG. 5

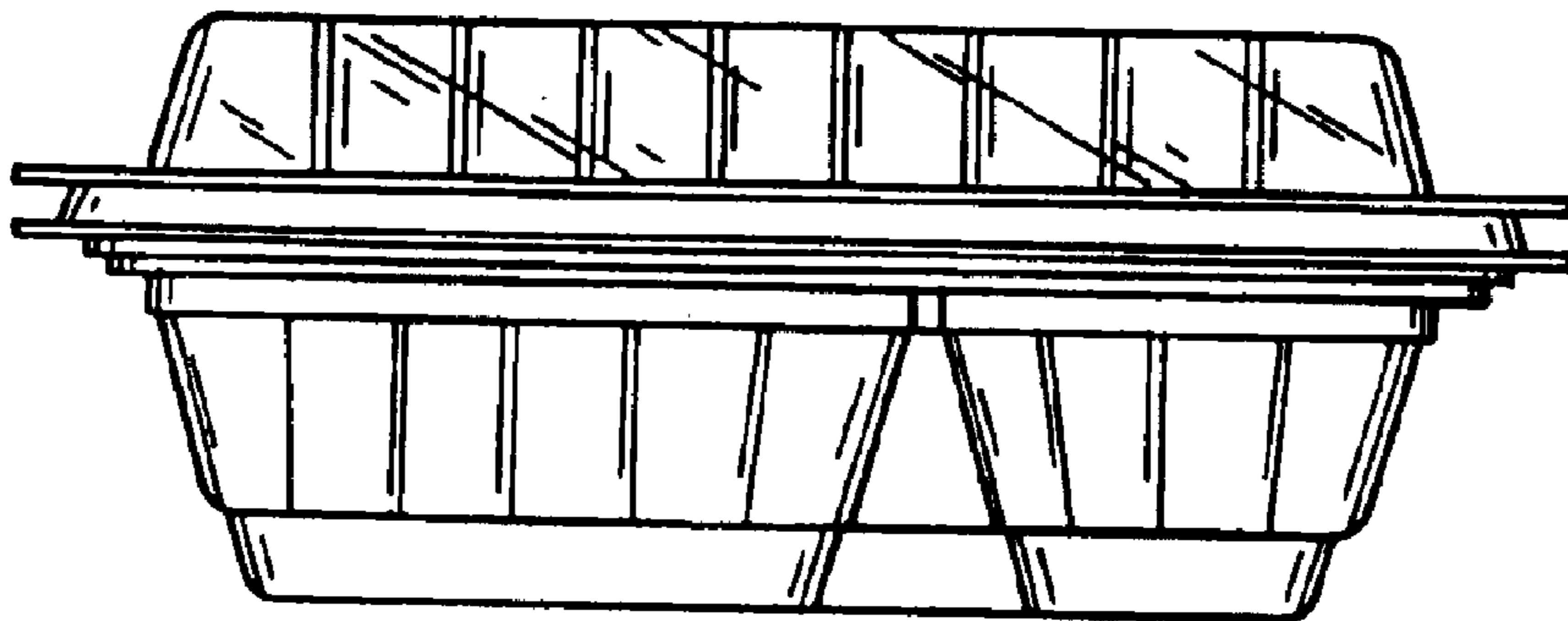


FIG. 6

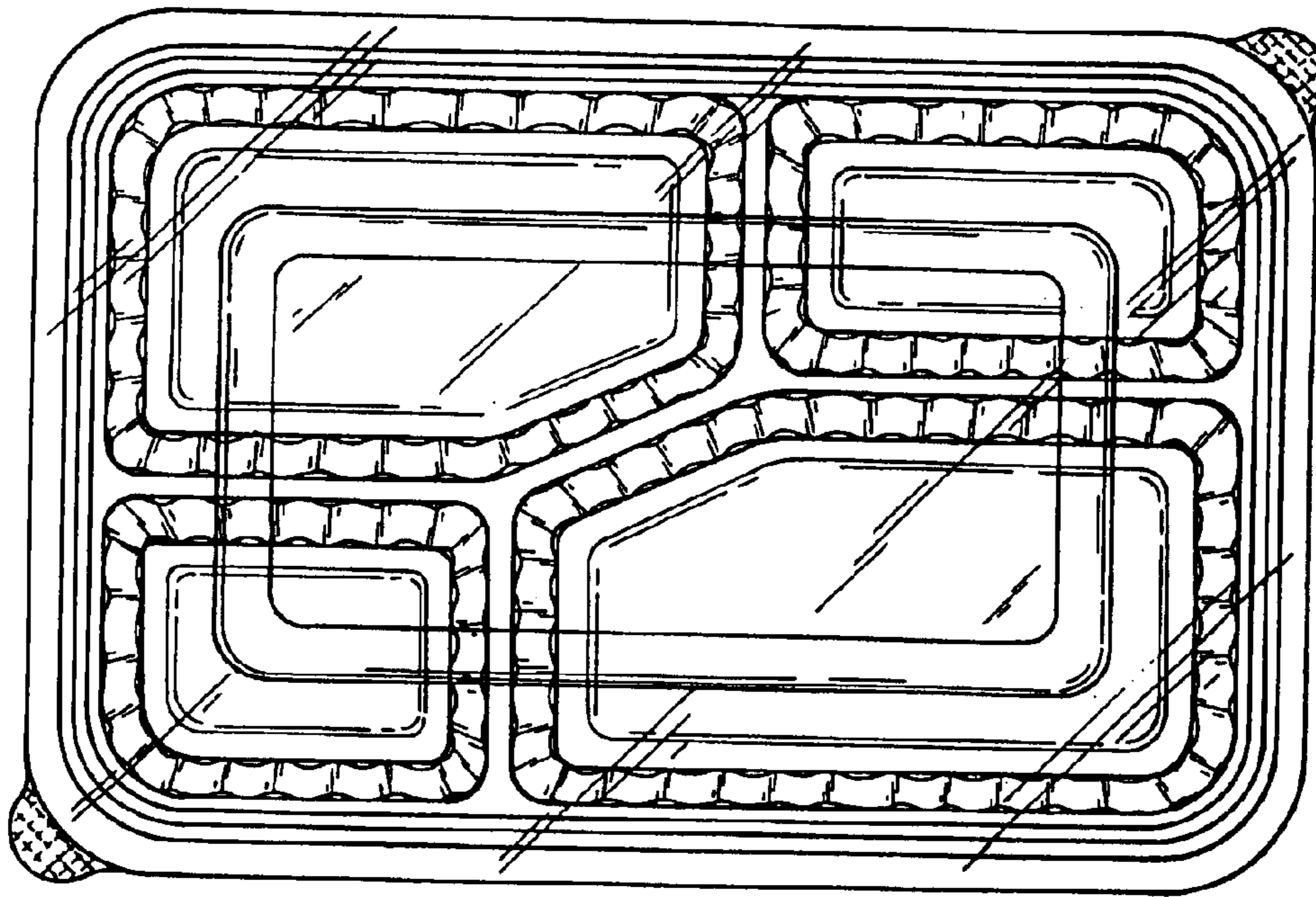


FIG. 7

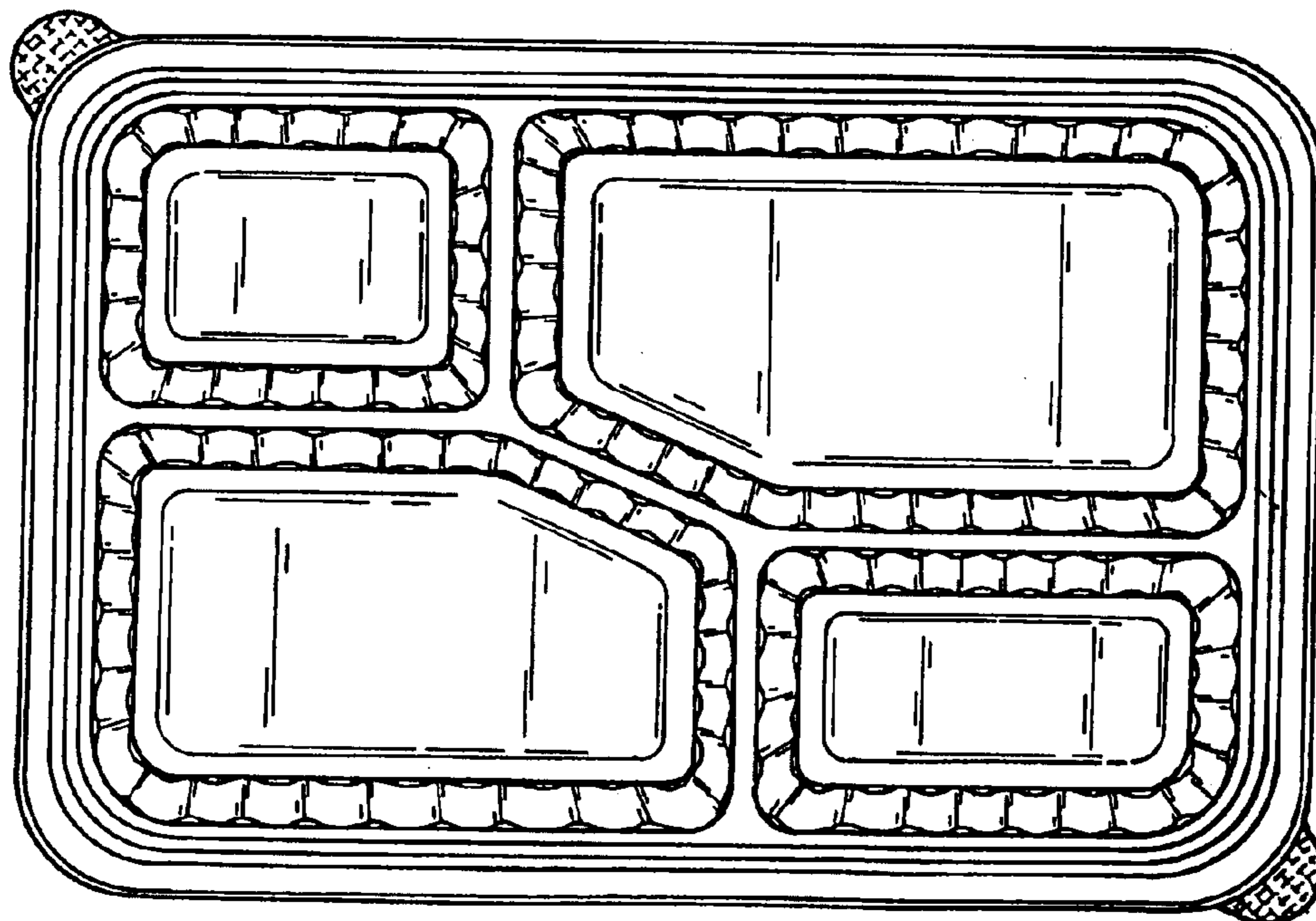


FIG. 8