

US00D504812S

(12) **United States Design Patent** (10) **Patent No.:** **US D504,812 S**
Keberlein et al. (45) **Date of Patent:** **** May 10, 2005**

(54) **DUAL DISPENSING NAPKIN HOLDER**
 (75) Inventors: **Gerald Keberlein**, Hortonville, WI (US); **Susan Peotter**, Oshkosh, WI (US)
 (73) Assignee: **InnovaPaq, LLC**, Neenah, WI (US)
 (**) Term: **14 Years**
 (21) Appl. No.: **29/186,163**
 (22) Filed: **Jul. 10, 2003**
 (51) **LOC (7) Cl.** **09-03**
 (52) **U.S. Cl.** **D9/416; D7/631; D9/432; D9/433**
 (58) **Field of Search** D7/631-634; D9/416, D9/430-432; 206/233, 494; 211/50, 51, 45, 48; 221/33-41, 45-55; 229/122, 200, 205, 242, 116.1, 116.5

(56) **References Cited**

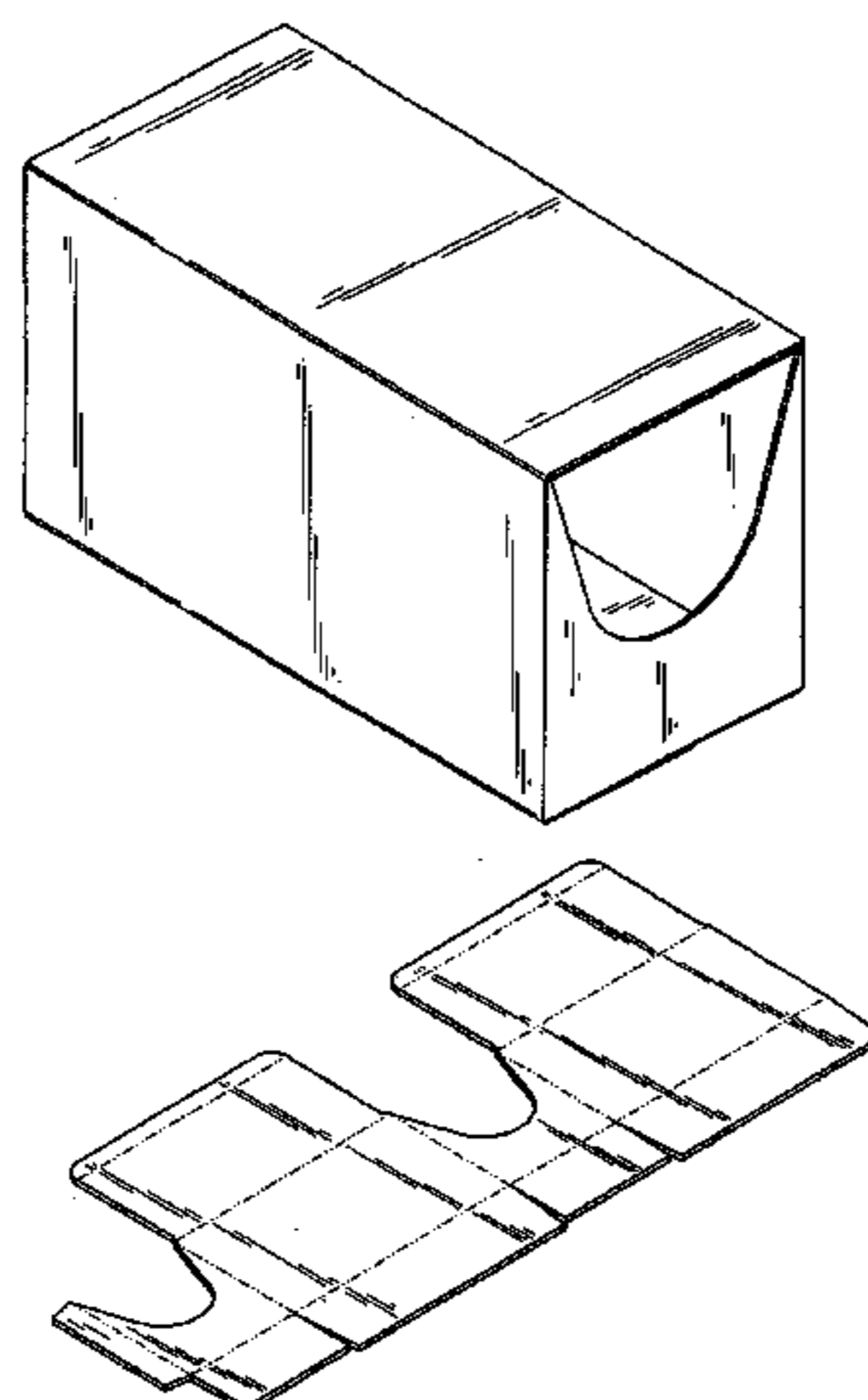
U.S. PATENT DOCUMENTS

1,158,558 A * 11/1915 Rosenfeld 229/122
 1,181,781 A 5/1916 Long 229/129
 D76,634 S 10/1928 Riegel D9/430
 1,889,985 A 12/1932 Hays 229/115
 2,080,691 A * 5/1937 Broeren 221/55
 2,334,997 A 11/1943 Doll 206/58
 2,349,589 A 5/1944 Harrington 229/115
 3,155,273 A 11/1964 Cote 221/63
 D212,041 S * 8/1968 Shapira D7/631
 D212,109 S 8/1968 Taylor D44/6
 3,428,235 A 2/1969 Ramdazzp 229/40
 3,940,054 A 2/1976 Goebel et al. 229/51
 4,044,889 A 8/1977 Orentreich et al. 206/459
 4,158,412 A * 6/1979 Wysocki 229/207
 4,163,508 A 8/1979 Mannor 221/310
 4,200,200 A 4/1980 Hein, III et al. 221/48
 4,513,862 A 4/1985 Mallow 206/233
 D280,703 S 9/1985 Strobe D9/331
 D280,965 S 10/1985 Prophet, Jr. et al. D7/81
 4,607,784 A 8/1986 Calabrese 229/115
 4,623,074 A 11/1986 Dearwester 221/48
 D293,058 S 12/1987 Iwarsson D6/523

4,863,026 A 9/1989 Perkowski 206/387
 D316,201 S 4/1991 Shimasaski D6/518
 5,125,565 A 6/1992 Rogers 229/115
 D334,690 S * 4/1993 Chudek et al. D7/631
 5,219,421 A 6/1993 Tipping 221/63
 D340,373 S 10/1993 Konkin D6/518
 5,280,385 A 1/1994 Wybrow 359/438
 D352,191 S 11/1994 Zorian D9/430
 5,375,713 A 12/1994 Horvat et al. 206/418
 5,505,296 A 4/1996 Parker 206/233
 5,516,000 A 5/1996 Freiburger et al. 221/48
 5,542,598 A 8/1996 Capo 229/242
 5,544,741 A 8/1996 Fantone et al. 206/308.1
 D376,501 S 12/1996 Spaseska D6/518
 5,740,913 A 4/1998 McFarland 206/494
 D398,429 S 9/1998 LeBlanc et al. D9/430
 5,823,344 A 10/1998 Fantone et al. 206/459.5
 5,833,068 A 11/1998 Fantone 206/459.1
 5,850,913 A 12/1998 Fantone et al. 206/308.1
 5,941,382 A 8/1999 Fantone et al. 206/308.1
 D420,236 S 2/2000 Parkes et al. D6/515
 6,065,623 A 5/2000 Hierzer et al. 215/230
 6,102,568 A 8/2000 Davis 229/115
 6,158,614 A 12/2000 Haines et al. 221/63
 6,189,780 B1 * 2/2001 Kanter 229/242
 D439,515 S 3/2001 Rondolino D9/430
 6,213,345 B1 4/2001 Plank 221/46
 6,278,545 B1 8/2001 Napier 359/440
 6,279,775 B1 8/2001 Parkes et al. 221/63
 6,318,590 B1 11/2001 McMurray-Stivers 221/45
 6,366,401 B1 4/2002 Gonda et al. 359/440
 6,371,296 B1 4/2002 Rumbouth 206/233
 6,381,887 B1 5/2002 Williams 40/454
 6,385,882 B1 5/2002 Conley et al. 40/454
 D459,221 S 6/2002 Springer et al. D9/416
 D462,212 S 9/2002 Kureghian D6/515
 D463,976 S 10/2002 Sipinen et al. D9/339
 D472,141 S 3/2003 Buschkiel et al. D9/416
 D487,870 S * 3/2004 Stewart et al. D9/416
 2002/0000444 A1 1/2002 Bliss 220/628

* cited by examiner

Primary Examiner—Terry A. Wallace
 (74) *Attorney, Agent, or Firm*—Whyte Hirschboeck Dudek SC



(57)

CLAIM

An ornamental design for a dual dispensing napkin holder, as shown and described.

DESCRIPTION

FIG. 1 is a perspective view of a dual dispensing napkin holder showing our new design;

FIG. 2 is a front view thereof;

FIG. 3 is a rear view thereof;

FIG. 4 is a left side elevational view thereof;

FIG. 5 is a right side elevational view thereof;

FIG. 6 is a top plan view thereof;

FIG. 7 is a bottom plan view thereof;

FIG. 8 is a perspective of a blank used to construct the dual dispensing napkin holder of FIG. 1;

FIG. 9 is a top plan view thereof;

FIG. 10 is a front view thereof;

FIG. 11 is a rear view thereof;

FIG. 12 is a left side view thereof; and,

FIG. 13 is a right side view thereof.

The broken lines and surface shading shown in the figures are for illustrative environmental purposes only and form no part of the claimed design.

1 Claim, 6 Drawing Sheets

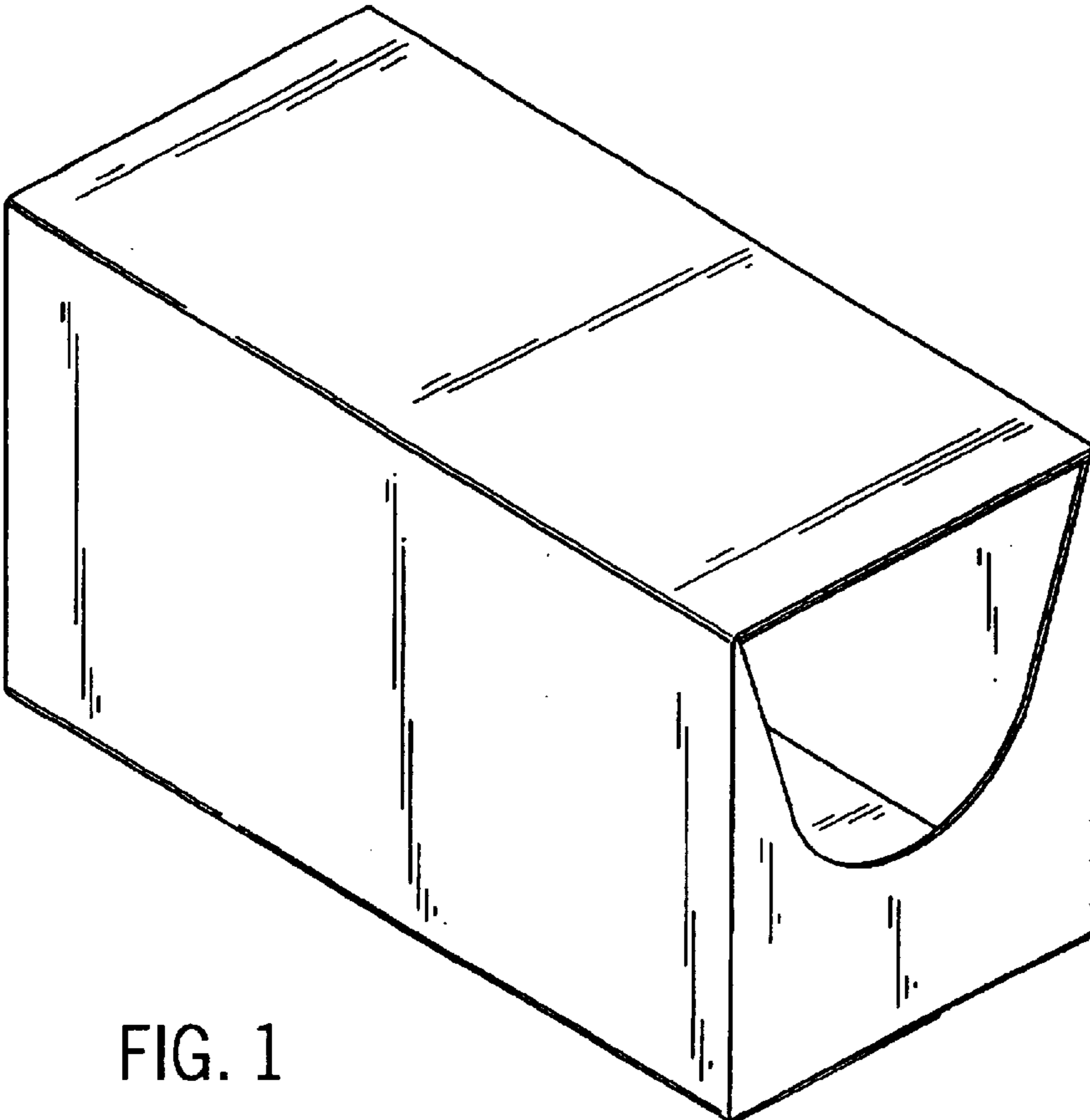


FIG. 1

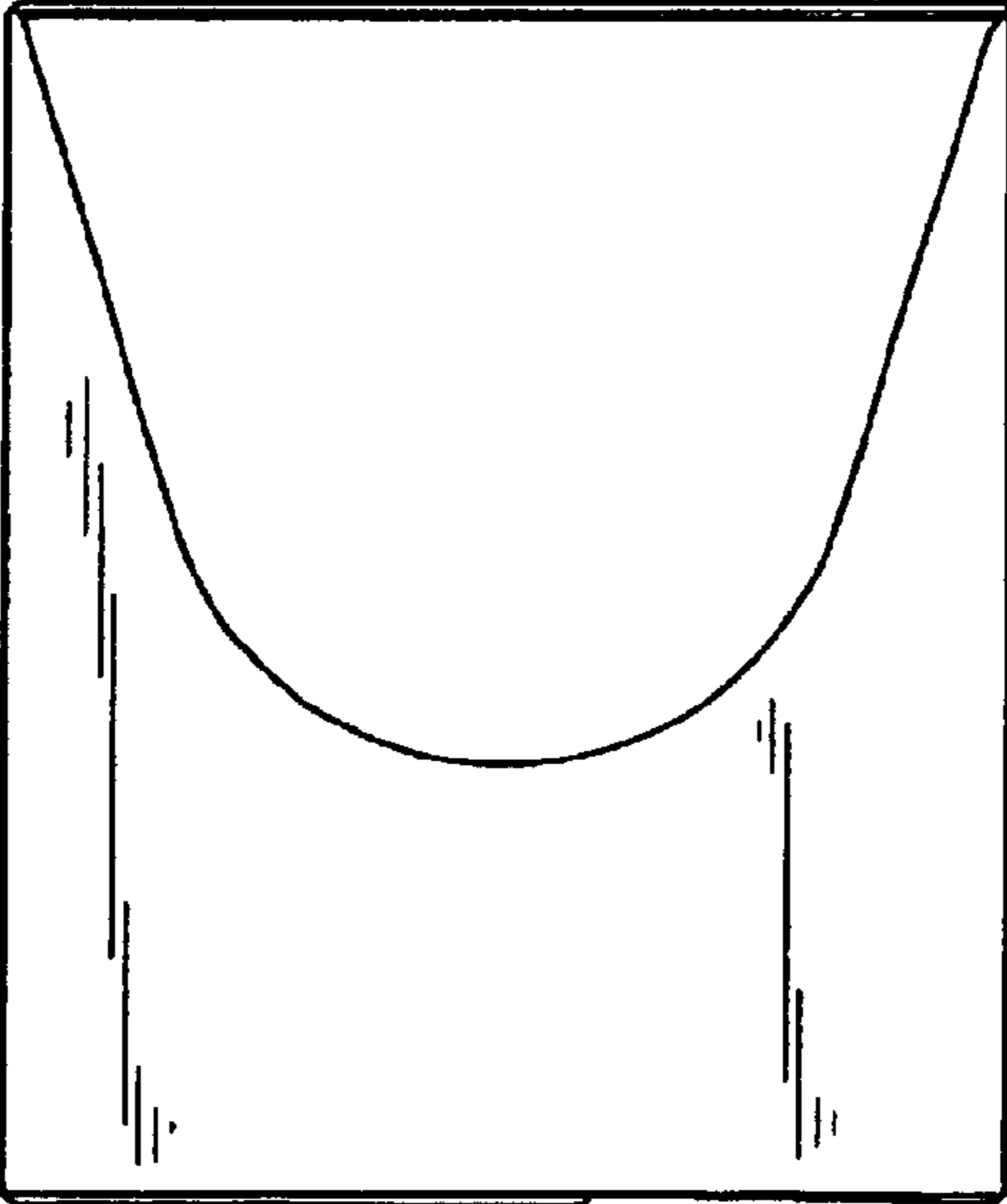


FIG. 2

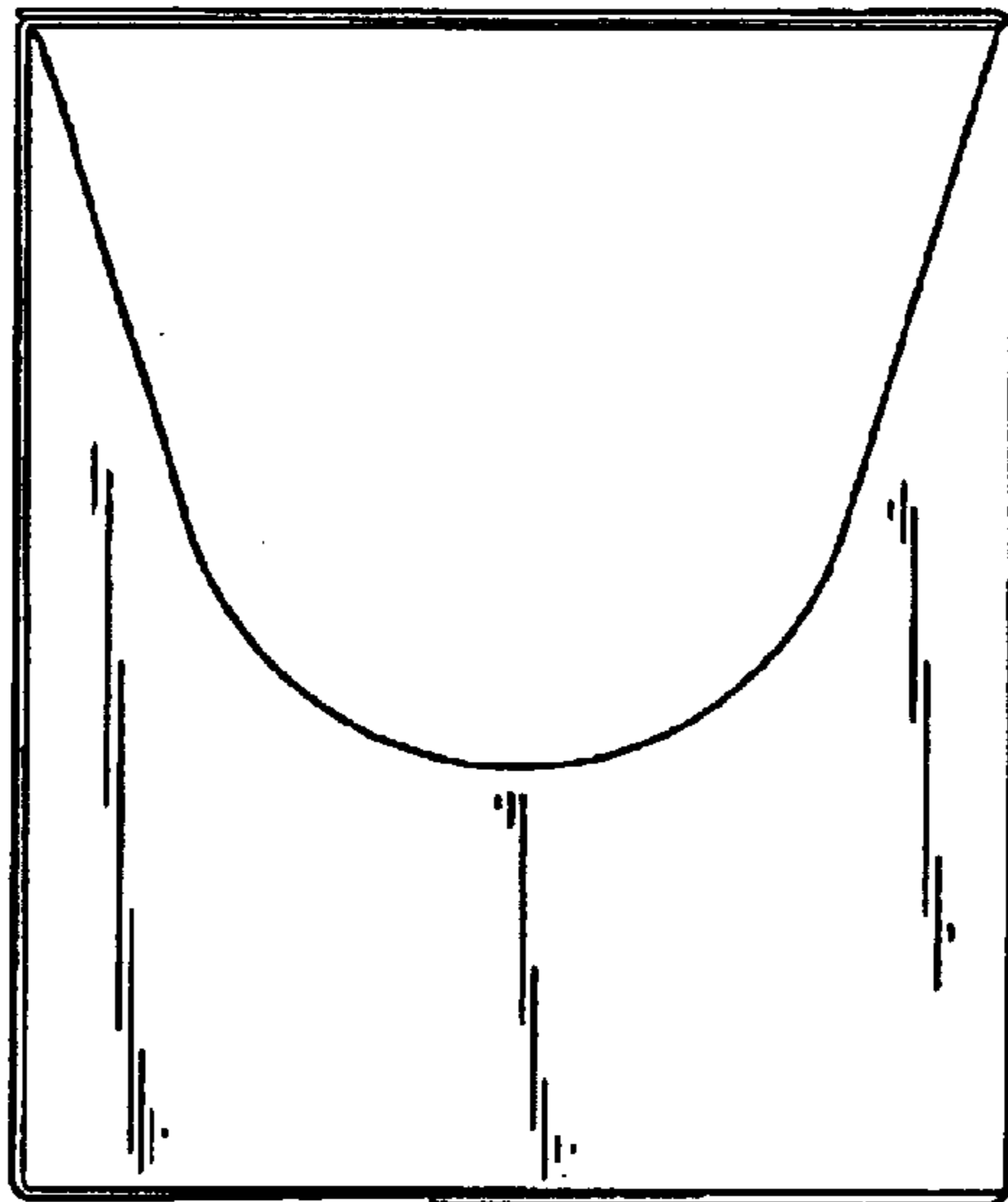


FIG. 3

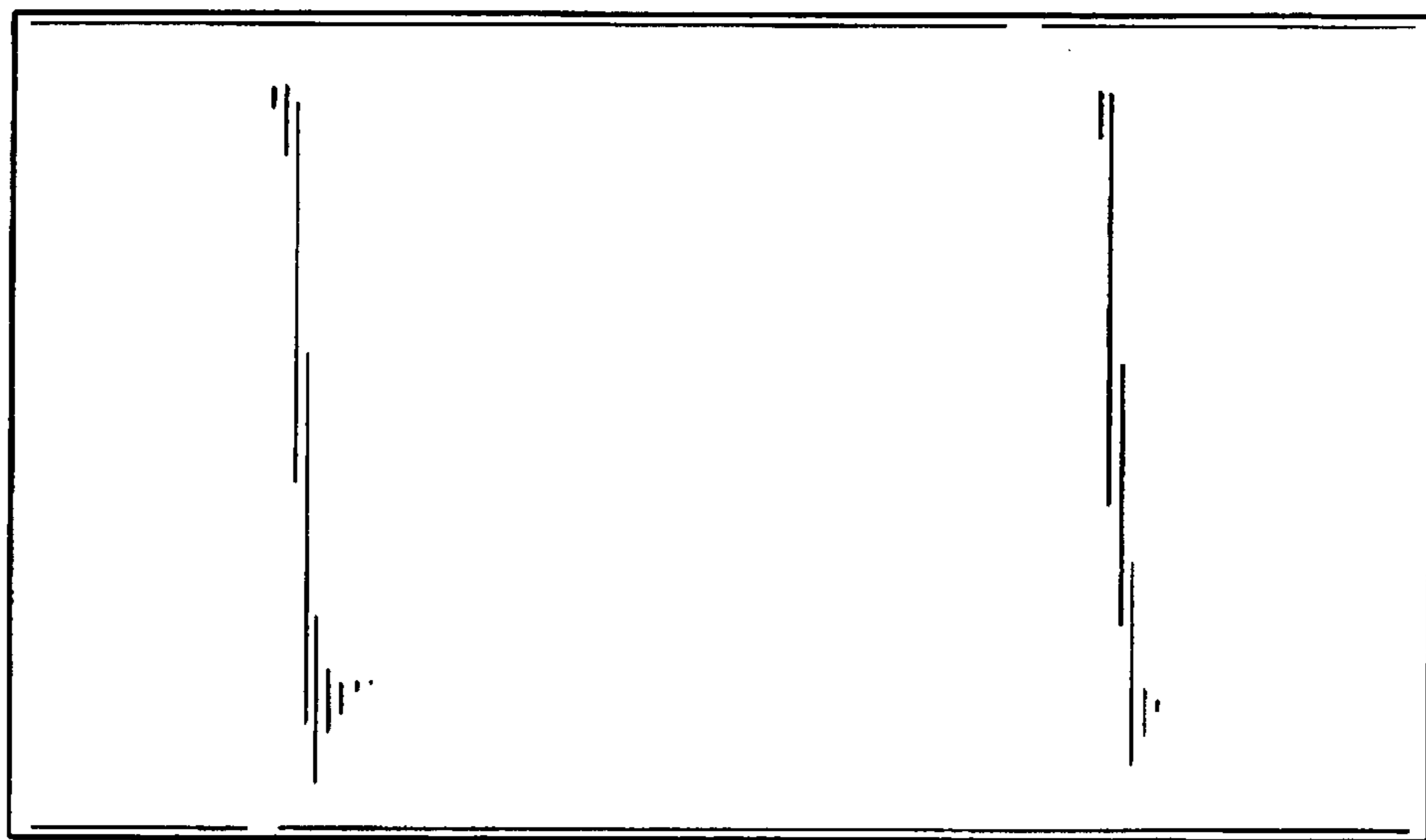


FIG. 4

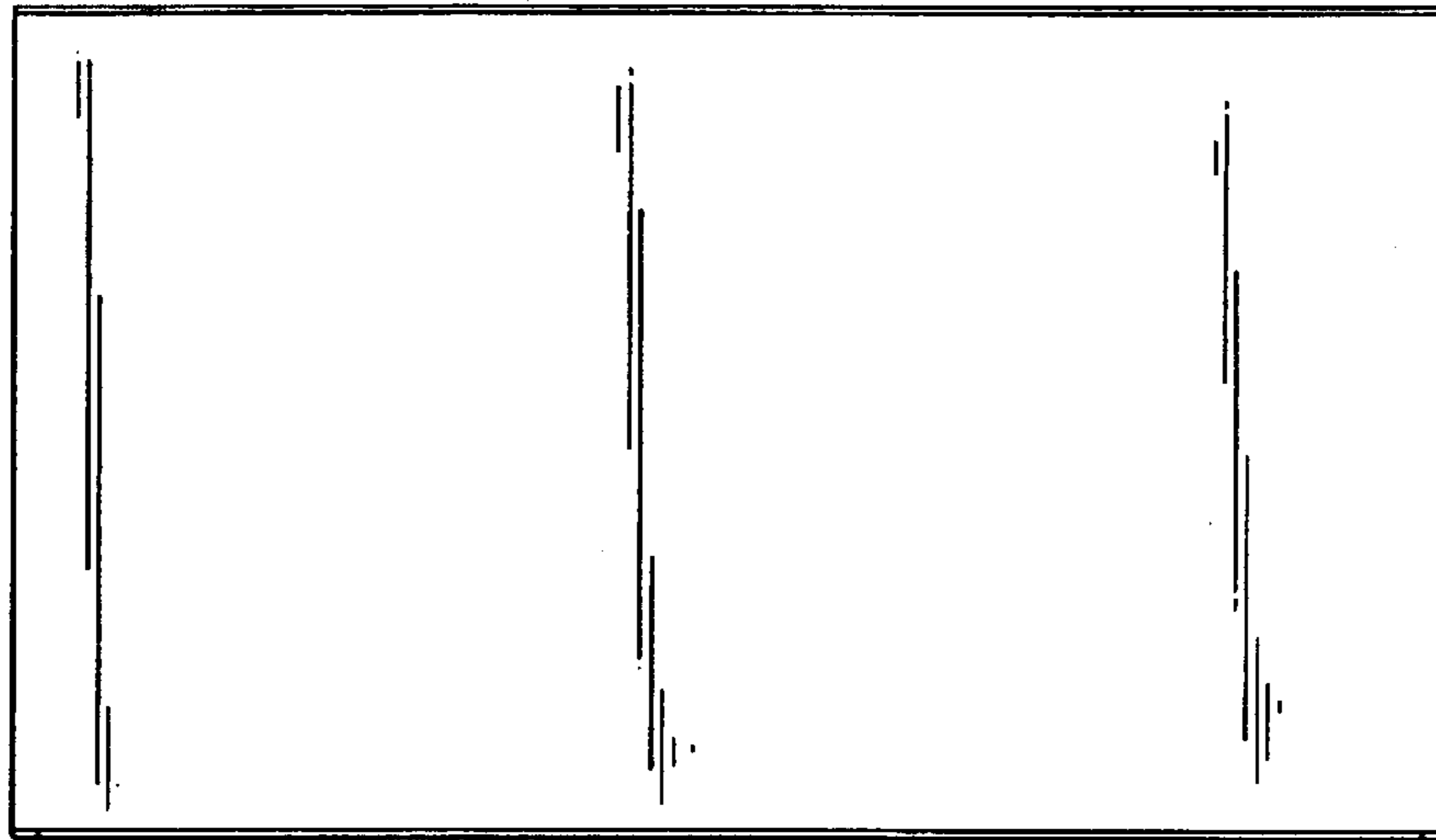


FIG. 5

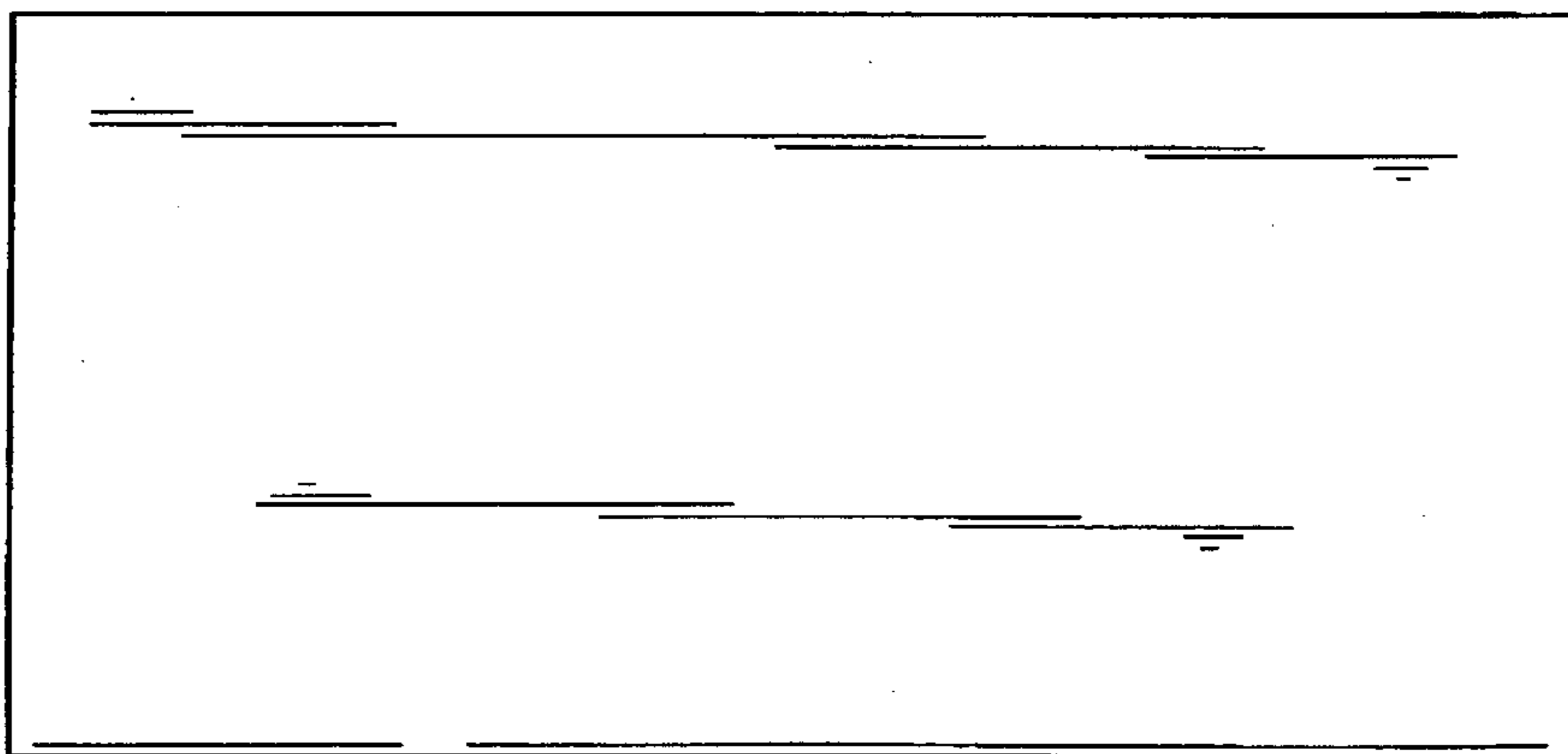


FIG. 6

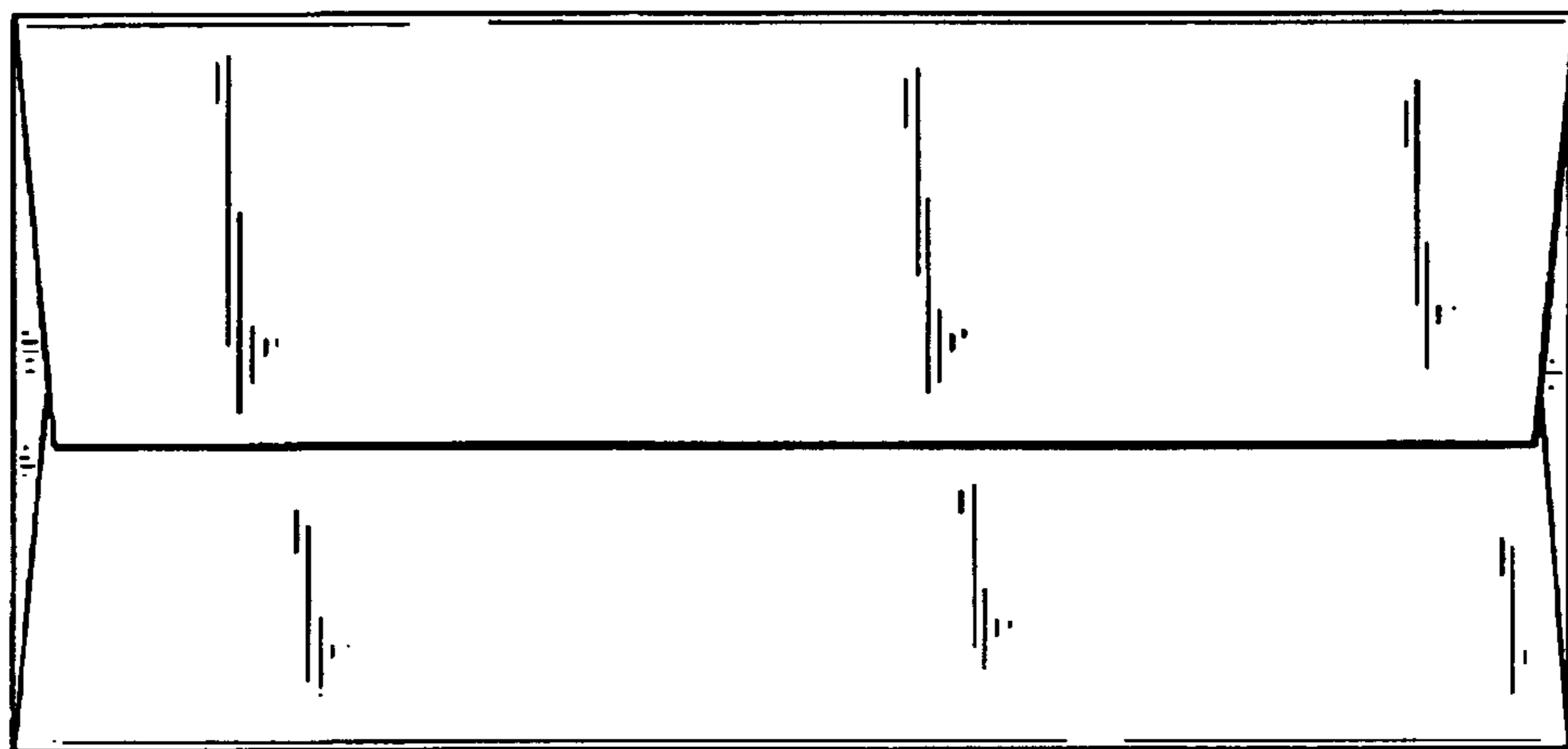


FIG. 7

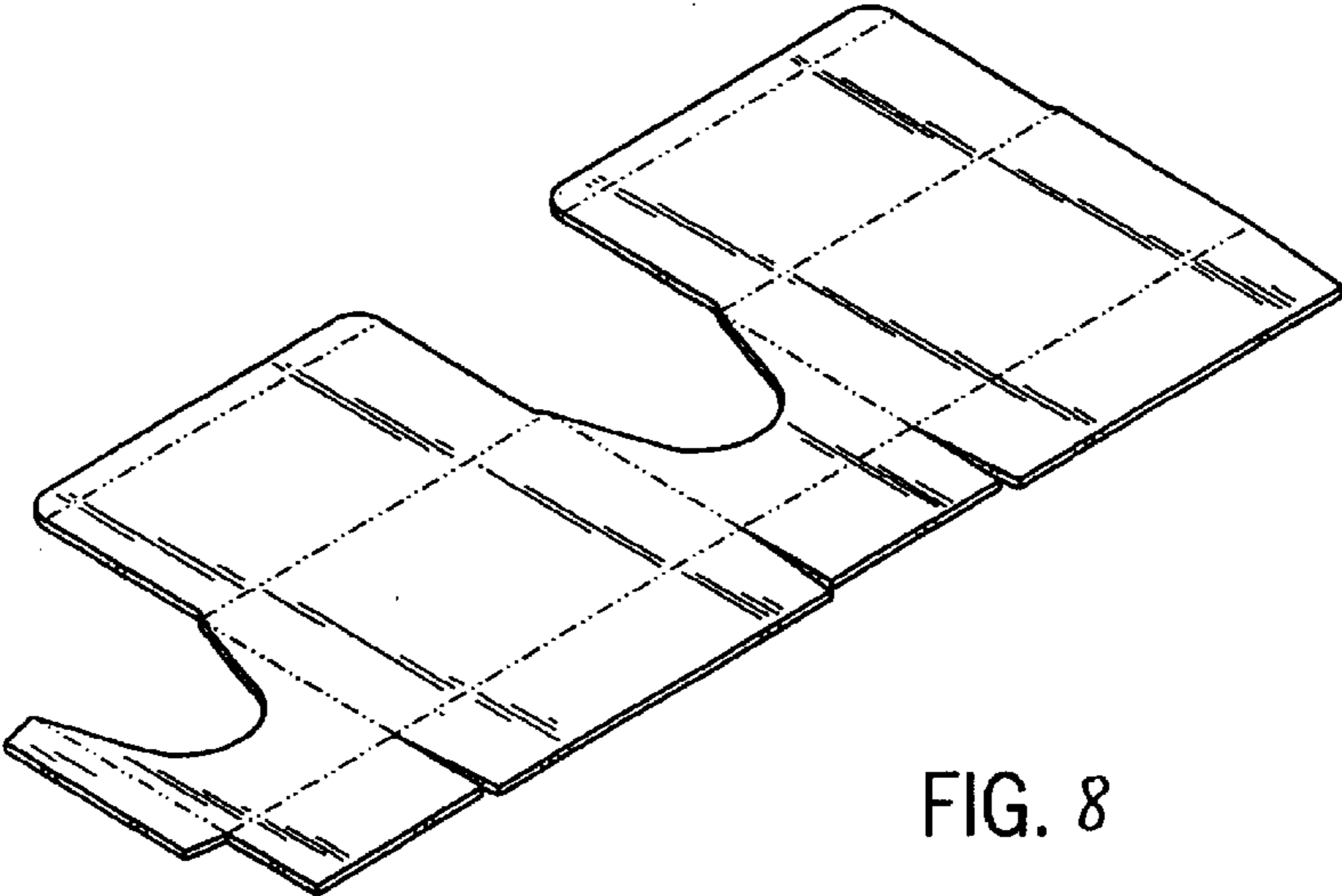


FIG. 8

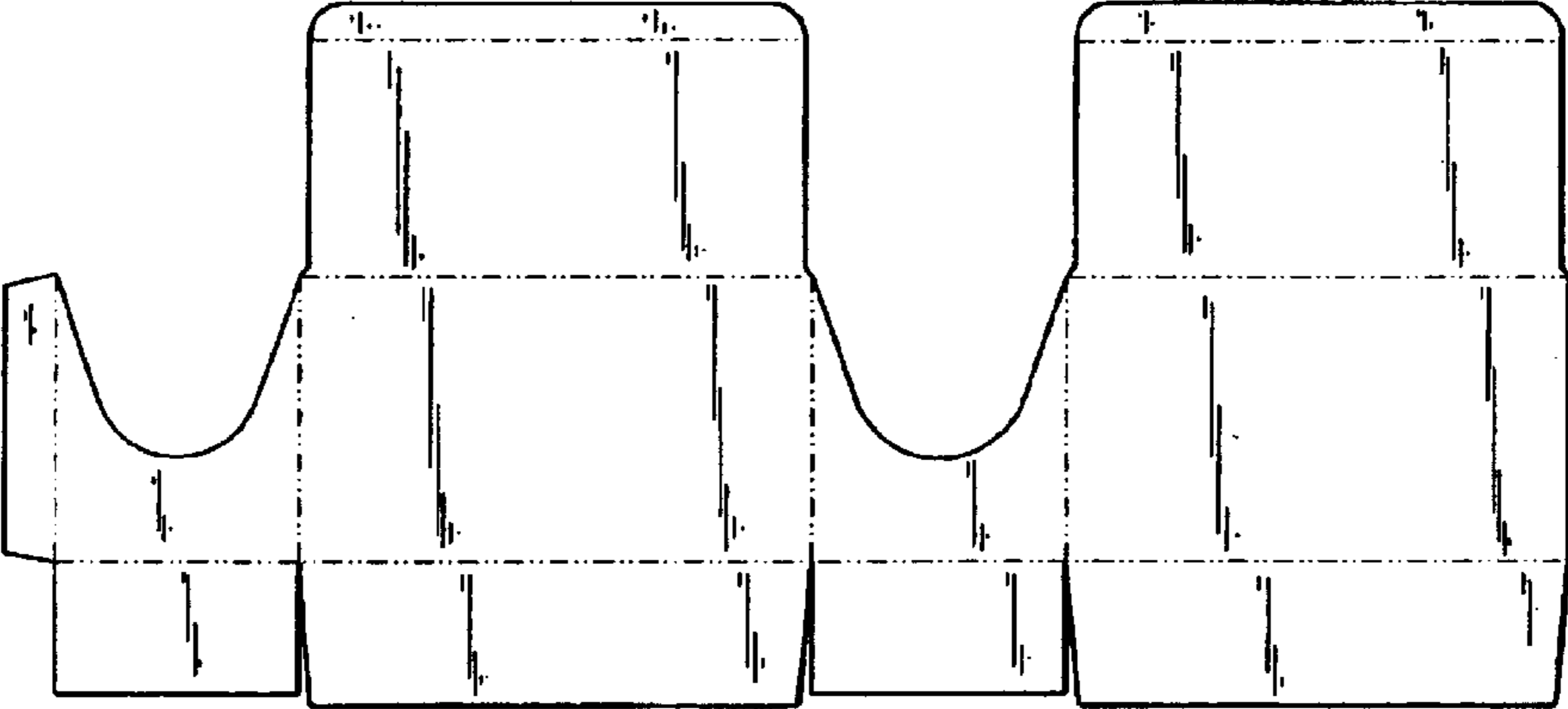


FIG. 9



FIG. 10



FIG. 11



FIG. 12



FIG. 13