



US00D504809S

(12) **United States Design Patent**
Sato et al.

(10) **Patent No.: US D504,809 S**

(45) **Date of Patent: ** May 10, 2005**

(54) **ELASTIC MEMBER OF AN ELASTIC COUPLER**

(75) Inventors: **Yoshiyuki Sato**, Kanagawa (JP);
Nobushige Fujioka, Kanagawa (JP);
Satoshi Kimura, Kanagawa (JP)

(73) Assignee: **Miki Pulley Co., Ltd.**, Kanagawa (JP)

(**) Term: **14 Years**

(21) Appl. No.: **29/201,854**

(22) Filed: **Mar. 22, 2004**

(30) **Foreign Application Priority Data**

Oct. 7, 2003 (JP) 2003-029492

(51) **LOC (7) Cl. 08-08**

(52) **U.S. Cl. D8/382**

(58) **Field of Search D8/382; 464/73**

(56) **References Cited**

U.S. PATENT DOCUMENTS

2,034,001 A *	3/1936	Ricefield	464/73
2,588,158 A *	3/1952	Peirce	464/73
3,485,062 A *	12/1969	Blake	464/73
D227,528 S *	7/1973	Wahl	D8/382
3,902,333 A *	9/1975	Dossier	464/73
4,034,575 A *	7/1977	Barth	464/73

4,094,417 A *	6/1978	Cairnes et al.	211/183
6,342,011 B1 *	1/2002	Pokrandt et al.	464/73
D481,299 S *	10/2003	Fujioka	D8/382
2003/0220146 A1 *	11/2003	Bonninger et al.	464/73

* cited by examiner

Primary Examiner—Holly Baynham

(74) *Attorney, Agent, or Firm*—Marshall & Melhorn, LLC

(57) **CLAIM**

The ornamental design for an elastic member of an elastic coupler, as shown and described.

DESCRIPTION

FIG. 1 is a perspective view of an elastic member showing our new design;

FIG. 2 is a front view thereof;

FIG. 3 is a back view thereof;

FIG. 4 is a right side view thereof, a left side view, top view and bottom view being identical to the right side view;

FIG. 5 is a cross-sectional view thereof taken along the lines 5—5' in FIG. 2;

FIG. 6 is a cross-sectional view thereof taken along the lines 6—6' in FIG. 2;

FIG. 7 is a cross-sectional view thereof taken along the lines 7—7' in FIG. 2; and,

FIG. 8 is a cross-sectional view thereof taken along the lines 8—8' in FIG. 4.

1 Claim, 5 Drawing Sheets

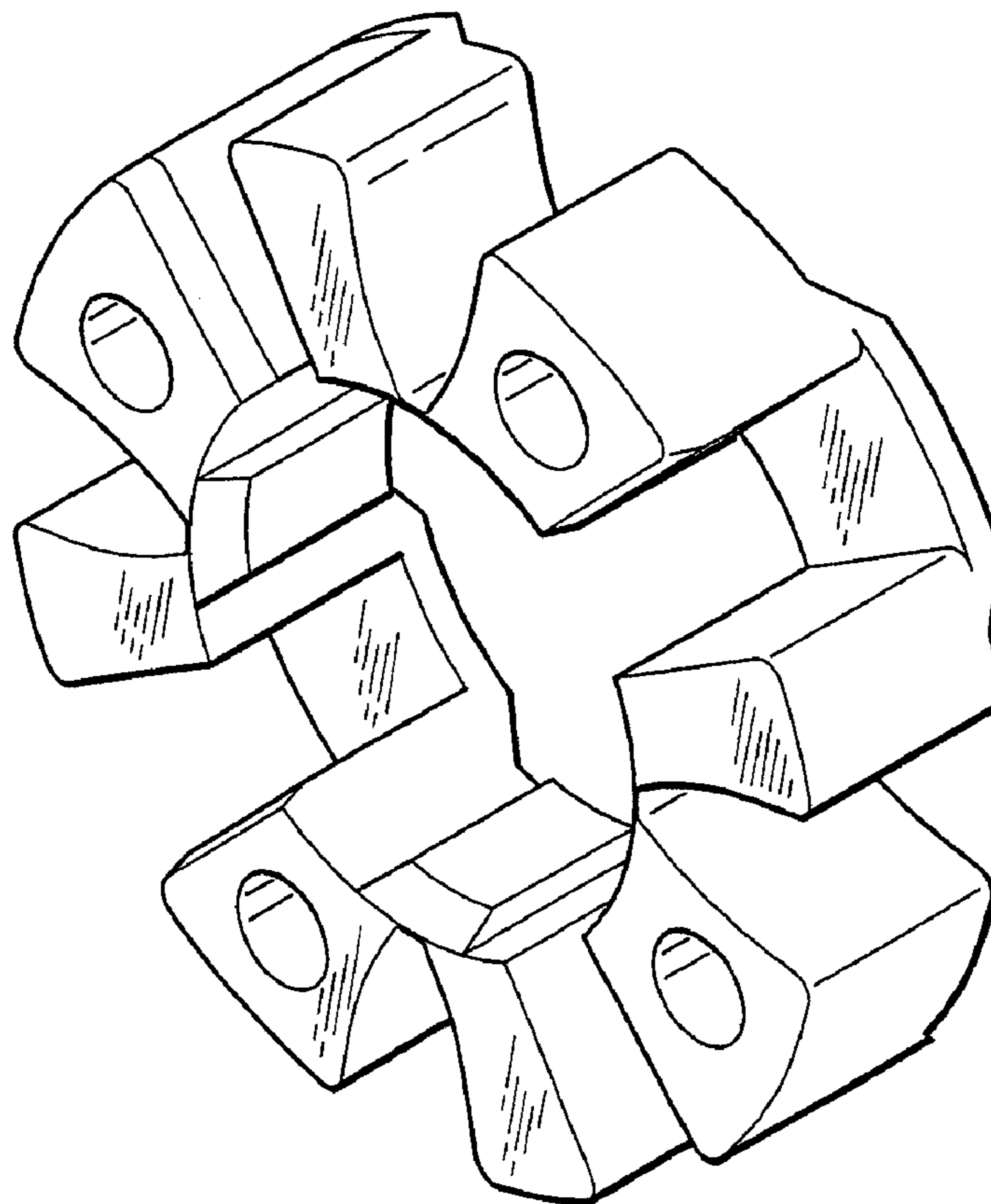
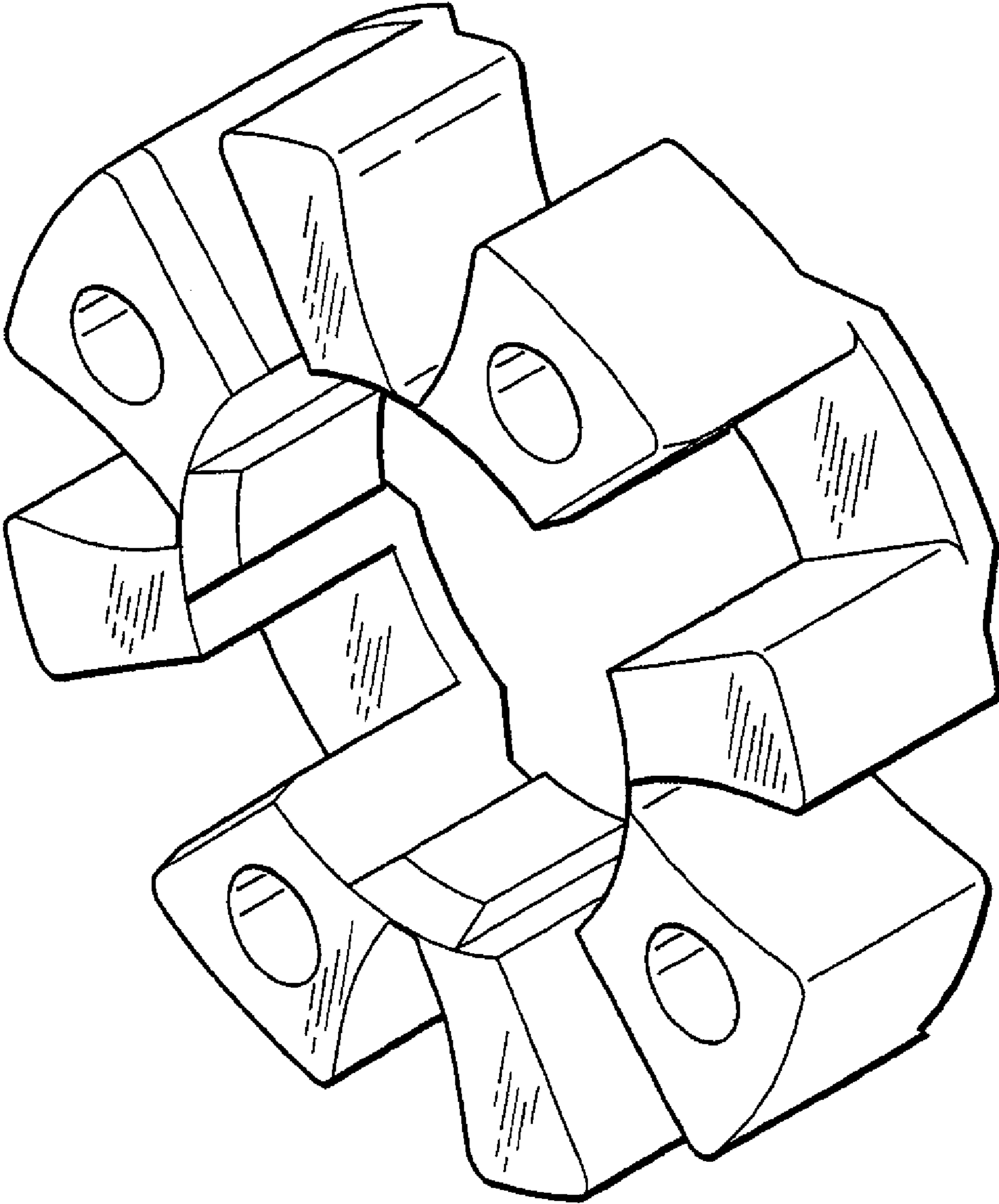


Fig. 1



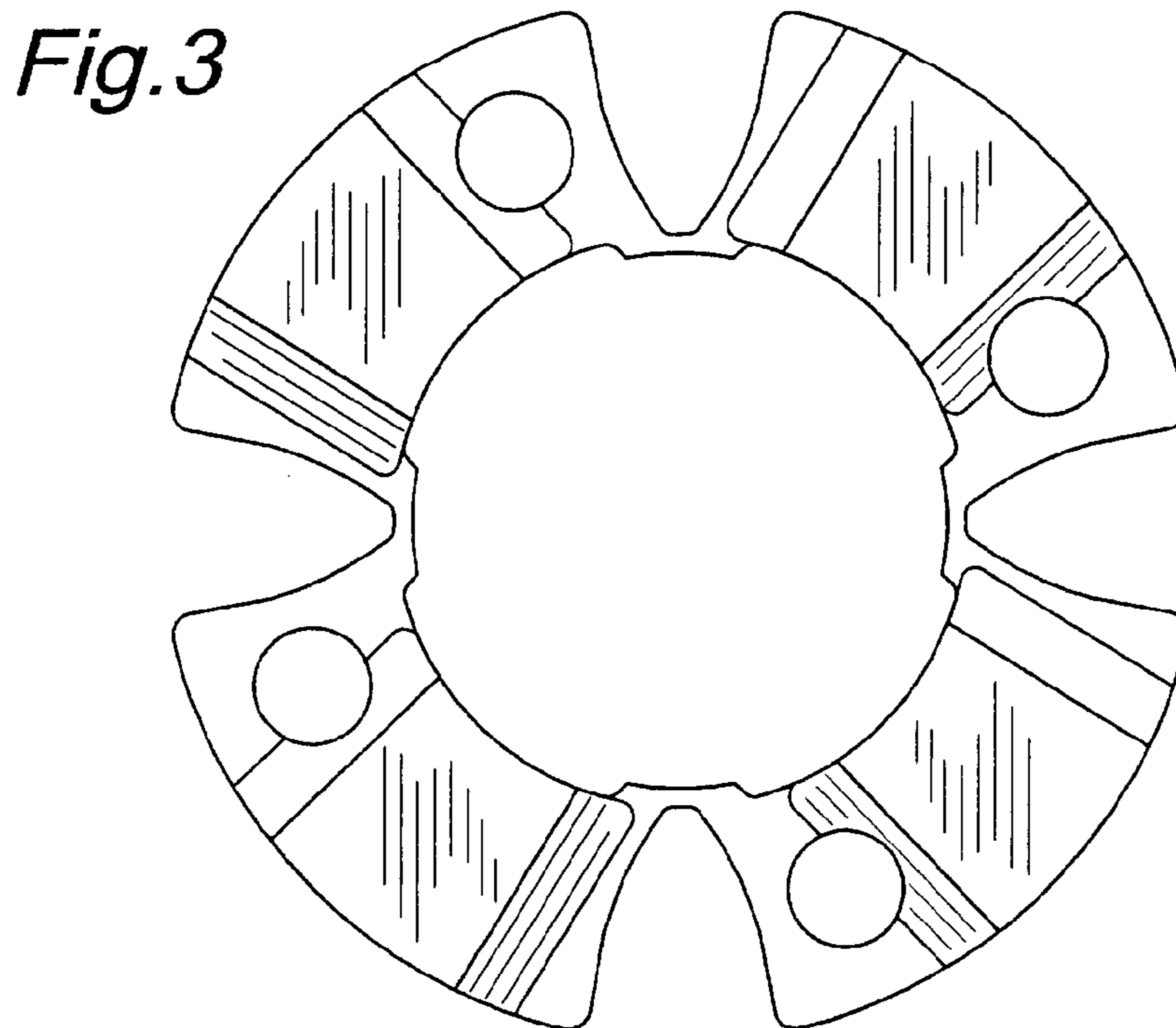
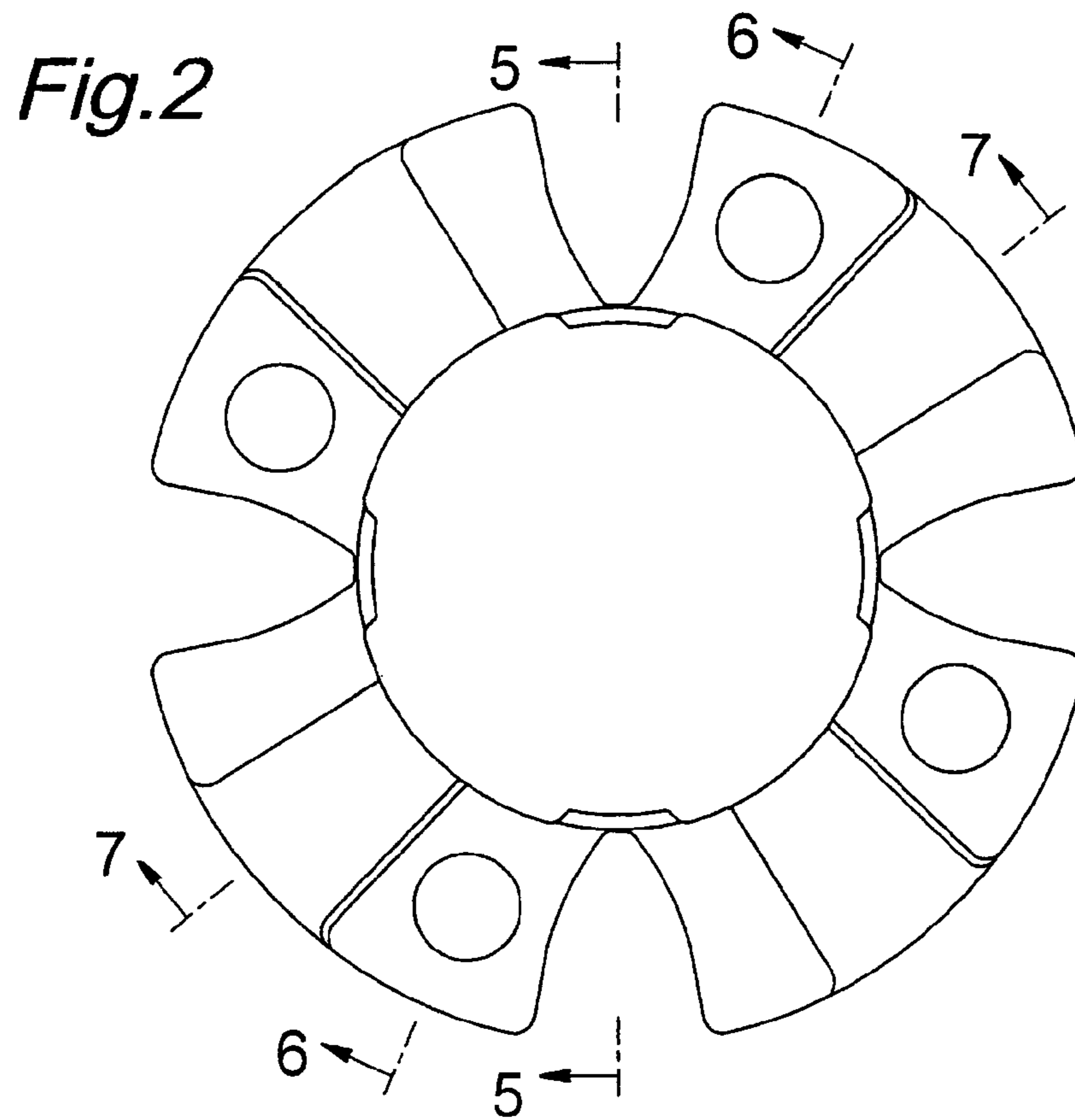


Fig.4

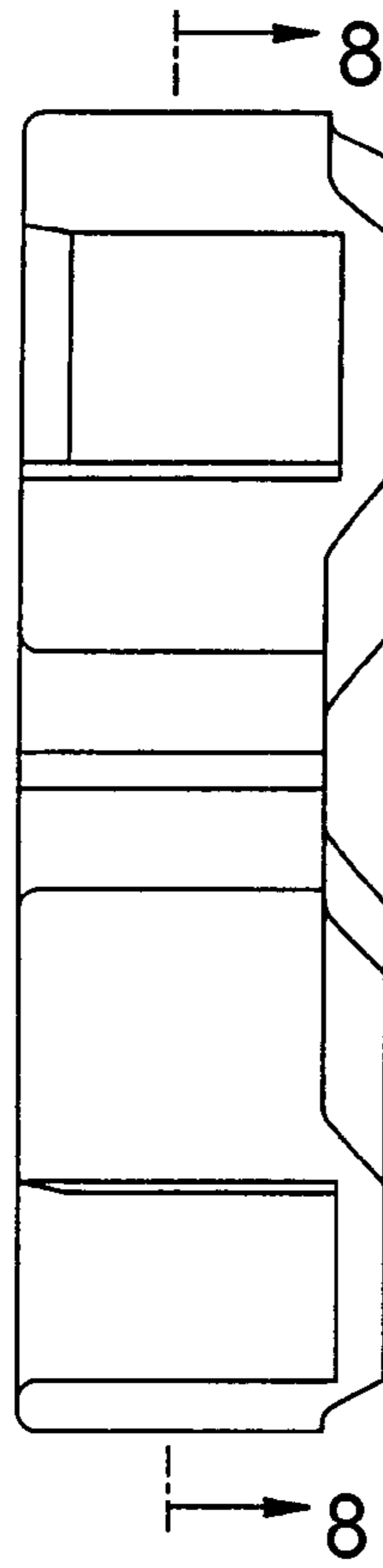


Fig.5

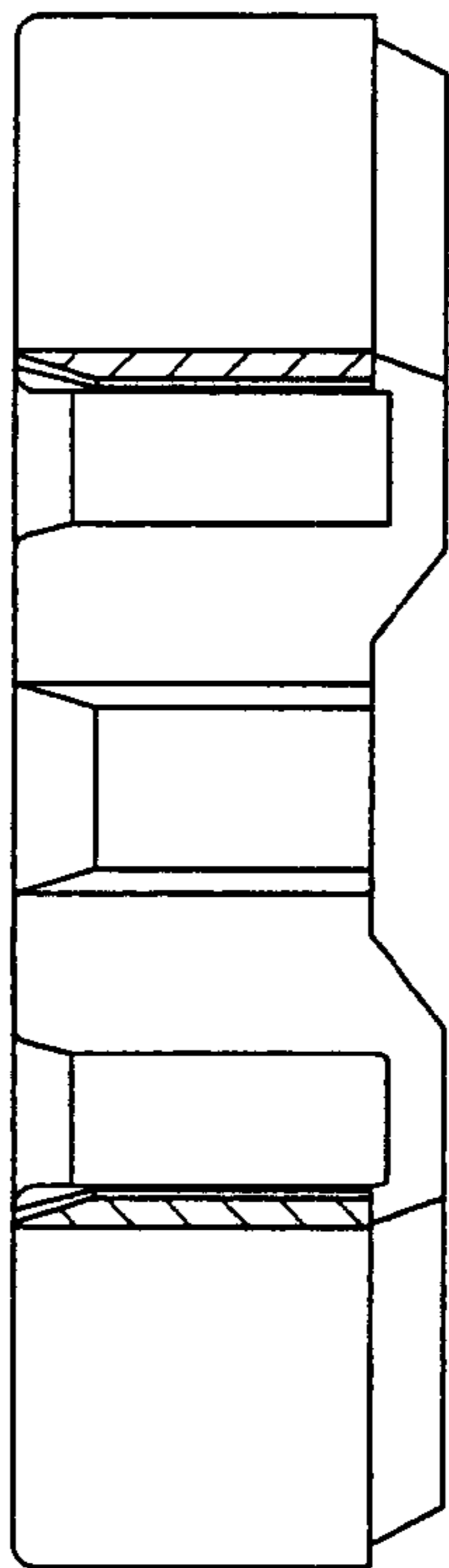


Fig.6

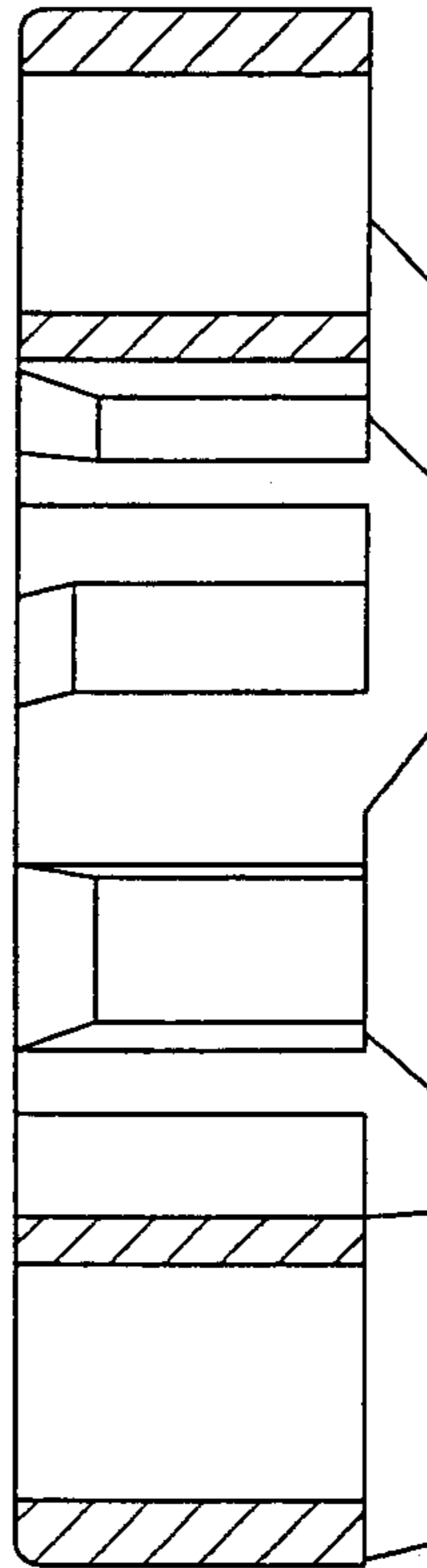


Fig.7

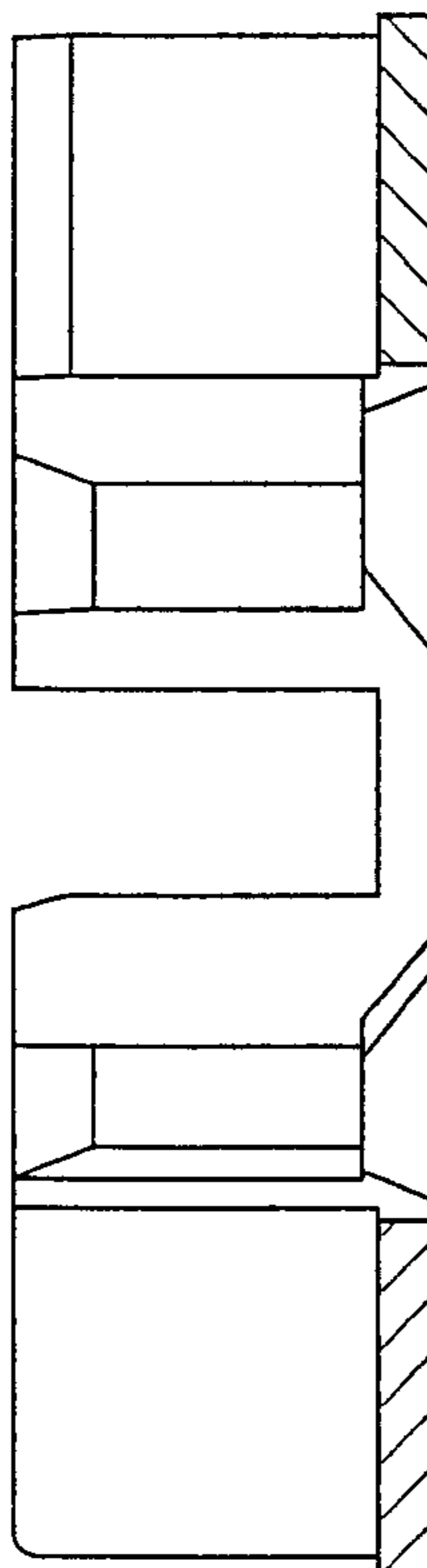


Fig. 8

