

US00D504807S

(12) **United States Design Patent**
Harwanko

(10) **Patent No.:** **US D504,807 S**

(45) **Date of Patent:** **** May 10, 2005**

(54) **END CAP FOR CURTAIN ROD**

(75) **Inventor:** **Jeffrey Harwanko**, Wilmington, DE (US)

(73) **Assignee:** **Zenith Products Corp.**, New Castle, DE (US)

(**) **Term:** **14 Years**

(21) **Appl. No.:** **29/211,603**

(22) **Filed:** **Aug. 18, 2004**

(51) **LOC (7) Cl.** **08-05**

(52) **U.S. Cl.** **D8/376; D8/378**

(58) **Field of Search** **D8/376, 378, 310; D6/524; 428/28; 211/86.01, 87.01; D26/154**

(56) **References Cited**

U.S. PATENT DOCUMENTS

D233,907 S	*	12/1974	Michaeli	D26/130
D306,552 S	*	3/1990	Paul	D8/301
D404,292 S	*	1/1999	Weber	D8/376
D472,670 S	*	4/2003	Forster	D26/154

OTHER PUBLICATIONS

Taiwan Hardware, p. 16 handles & knobs, item BR008, located at bottom of the page, Mar. 2003.*

* cited by examiner

Primary Examiner—Holly H Baynham

(74) *Attorney, Agent, or Firm*—Edgar A. Zarins; Lloyd D. Doigan

(57) **CLAIM**

The ornamental design for an end cap for curtain rod, as shown and described.

DESCRIPTION

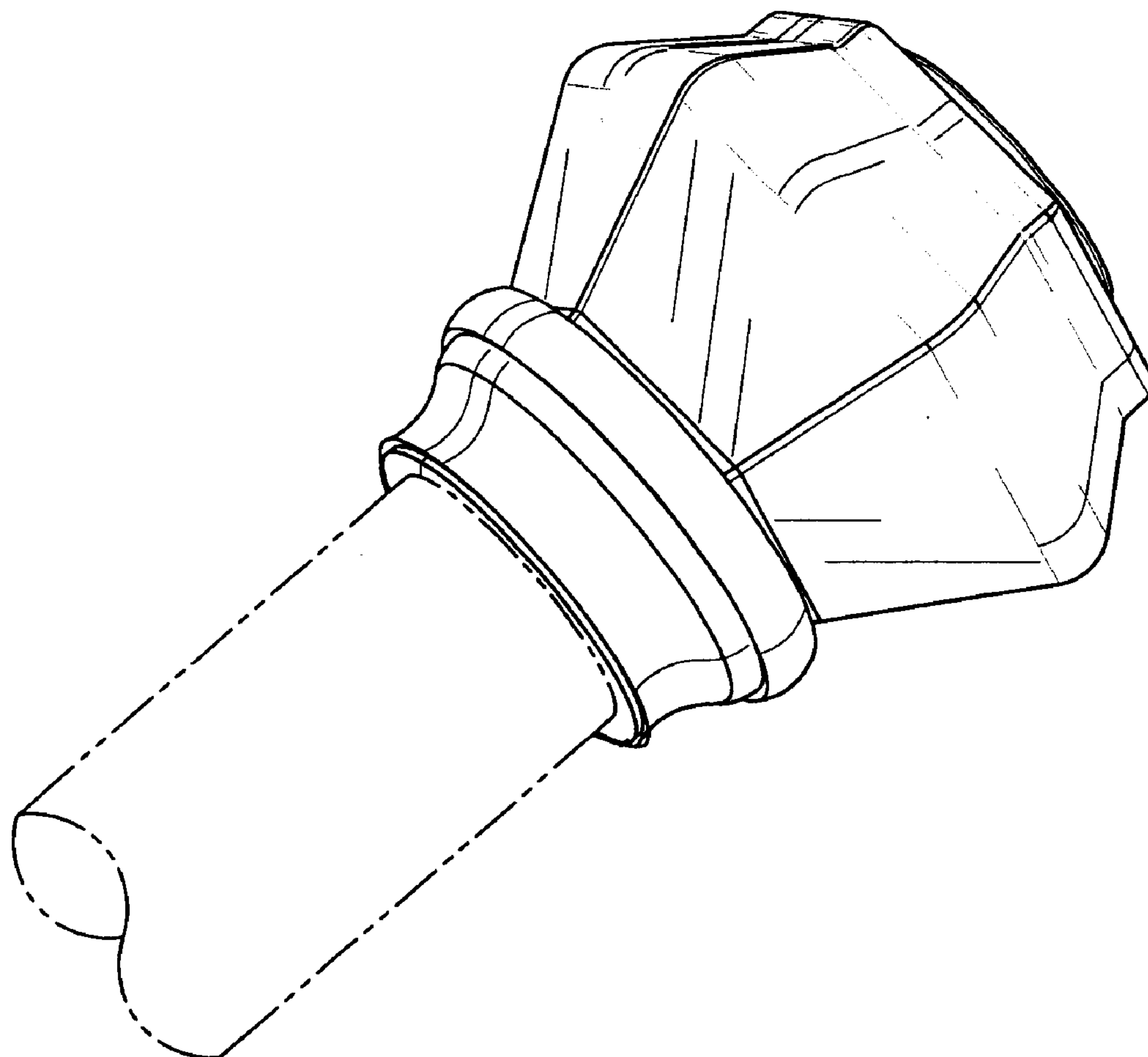
FIG. 1 is a perspective view of an end cap for curtain rod showing my new design;

FIG. 2 is a side view thereof; and,

FIG. 3 is an end view thereof.

The broken line showing of a partial pole is for illustrative purposes only and forms no part of the claimed design.

1 Claim, 1 Drawing Sheet



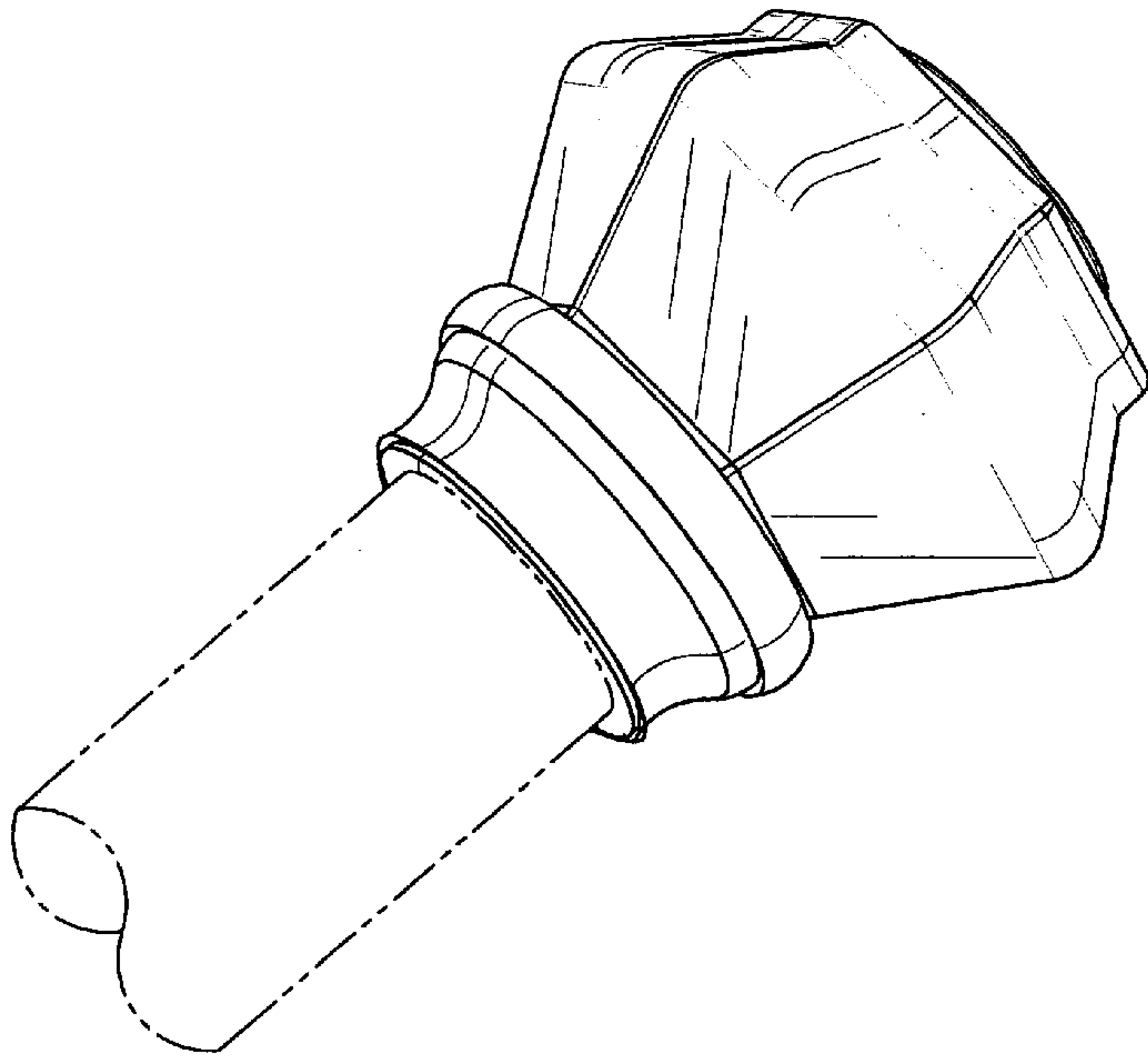


Fig-1

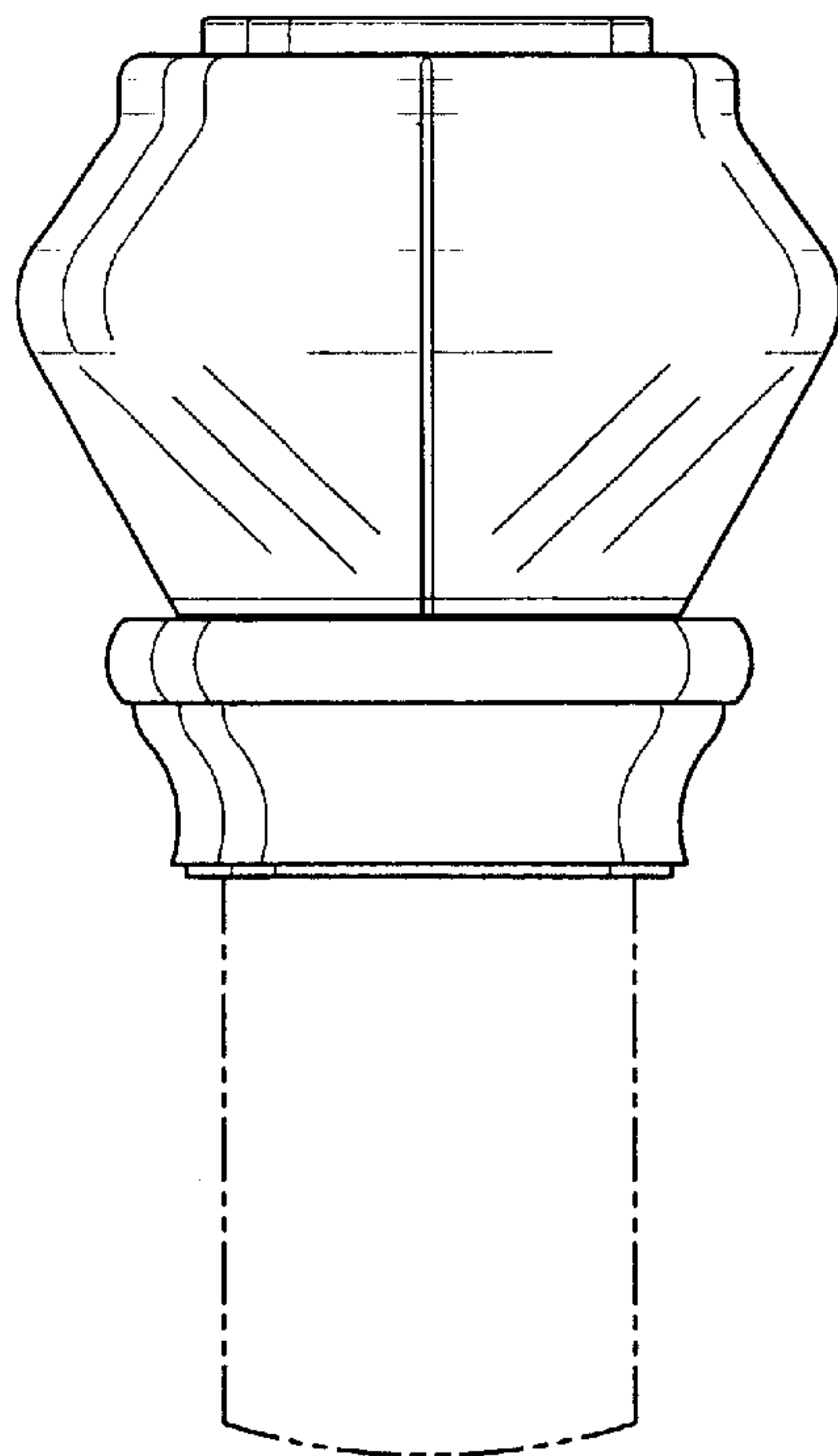


Fig-2

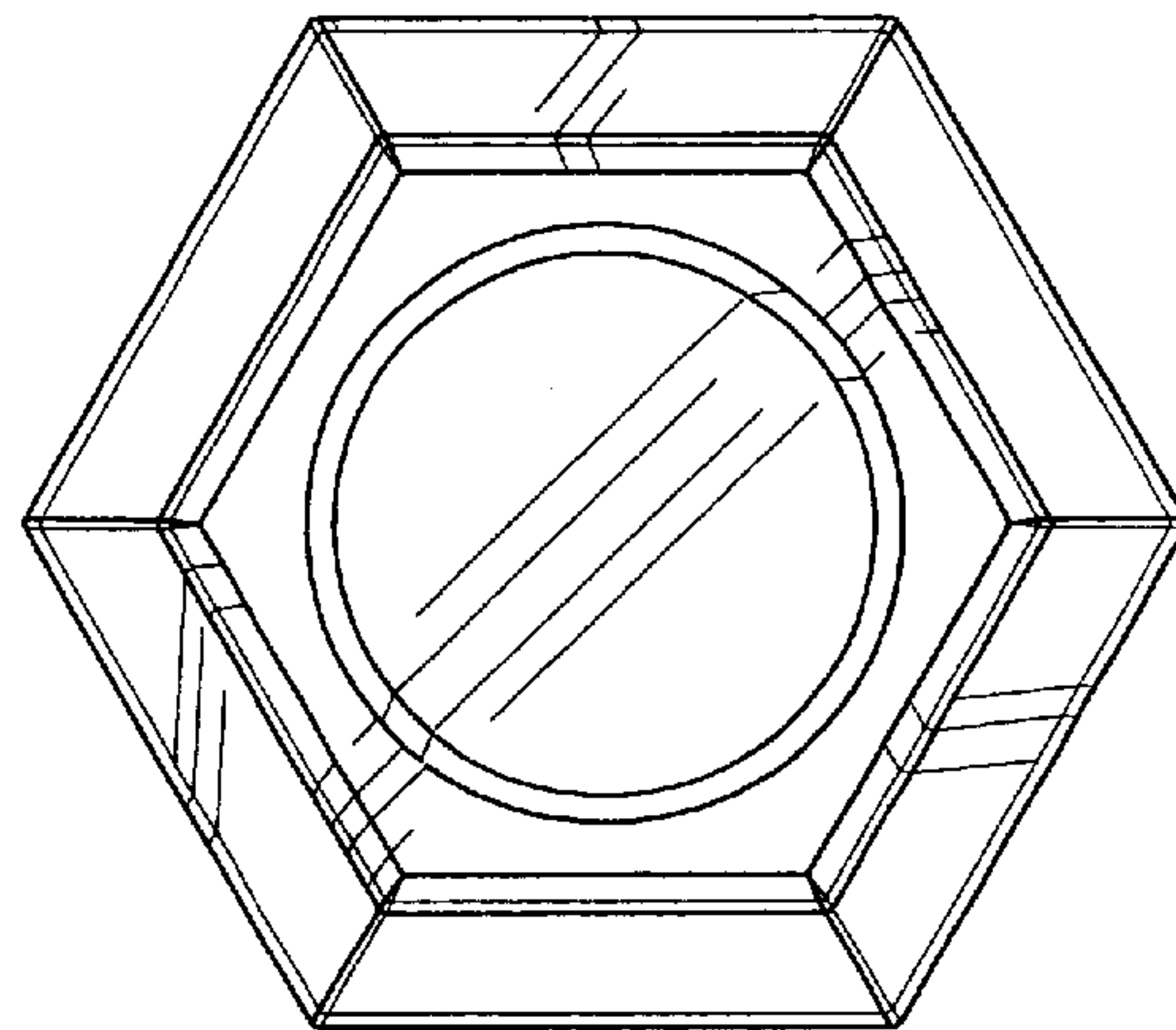


Fig-3