

US00D504803S

(12) **United States Design Patent**
Misner et al.

(10) **Patent No.:** **US D504,803 S**

(45) **Date of Patent:** **** May 10, 2005**

(54) **FRONT PORTIONS OF A PADDLE HANDLE DEVICE FOR OPERATING LATCHES**

(75) Inventors: **Michael O. Misner**, Lake Villa, IL (US); **Timothy P. Laabs**, Palatine, IL (US)

(73) Assignee: **The Eastern Company**, Wheeling, IL (US)

(**) Term: **14 Years**

(21) Appl. No.: **29/213,056**

(22) Filed: **Sep. 13, 2004**

Related U.S. Application Data

(62) Division of application No. 29/181,700, filed on May 15, 2003.

(51) **LOC (7) Cl.** **08-06**

(52) **U.S. Cl.** **D8/302; D8/306; D8/331**

(58) **Field of Search** D8/301, 302, 306, D8/307, 330, 331, 338, 341, 350, 353; 16/412; 70/208; 292/336.3, DIG. 31

(56) **References Cited**

U.S. PATENT DOCUMENTS

2,186,903 A	1/1940	Gleason	292/254
2,637,585 A	5/1953	Troche et al.	292/336.3
2,642,300 A	6/1953	Pelcin	292/173
2,668,076 A	2/1954	Troche et al.	292/336.3
2,721,751 A	10/1955	Holritz	292/169
2,735,706 A	2/1956	Pelcin	292/34
2,763,503 A	9/1956	Tasch et al.	292/173
2,840,407 A	6/1958	Sellon, Jr.	292/169
2,871,048 A	1/1959	Balogh	292/173
2,900,204 A	8/1959	Pelcin	292/173
2,916,905 A	12/1959	Podlesak	70/150
2,987,908 A	6/1961	Pelcin	70/146
3,044,814 A	7/1962	Pelcin	292/126
3,055,204 A	9/1962	Pelcin	70/153
3,081,617 A	3/1963	McKay	70/153
3,283,549 A	11/1966	Mees	70/146

3,338,610 A	8/1967	Pelcin et al.	292/126
3,357,734 A	12/1967	Pastva, Jr.	292/165
D210,152 S	2/1968	Pastva, Jr.	D50/5
D210,153 S	2/1968	Pastva, Jr.	D50/5
3,389,932 A	6/1968	Pastva, Jr.	292/173
3,449,005 A	6/1969	Pastva, Jr.	292/173
D218,672 S	9/1970	Lauper	D8/109
3,576,118 A	4/1971	Doerrfeld	70/146
3,707,862 A	1/1973	Pastva, Jr.	70/150
3,743,336 A	7/1973	Andrews	292/173
3,758,140 A	9/1973	Prete, Jr.	292/223
D230,132 S	1/1974	Pastva, Jr.	D8/109
3,782,141 A	1/1974	Doerrfeld	70/146
D230,945 S	3/1974	Beckman	D8/109
3,965,564 A	6/1976	Slovensky, Jr.	29/434
4,038,718 A	8/1977	Reilhac et al.	16/110
4,116,027 A	9/1978	Tannery	70/472
4,131,002 A	12/1978	Gianelo	70/84
4,138,869 A	2/1979	Pelcin	70/151
4,170,119 A	10/1979	Kalis, Jr.	70/221

(Continued)

Primary Examiner—Adir Aronovich

(74) *Attorney, Agent, or Firm*—David A. Burge

(57) **CLAIM**

We claim the ornamental design for front portions of a paddle handle device for operating latches, as shown and described.

DESCRIPTION

FIG. 1 is a front, top and left side perspective view of a front portion of a paddle handle for operating latches showing our new design;

FIG. 2 is a front, bottom and right side perspective view thereof;

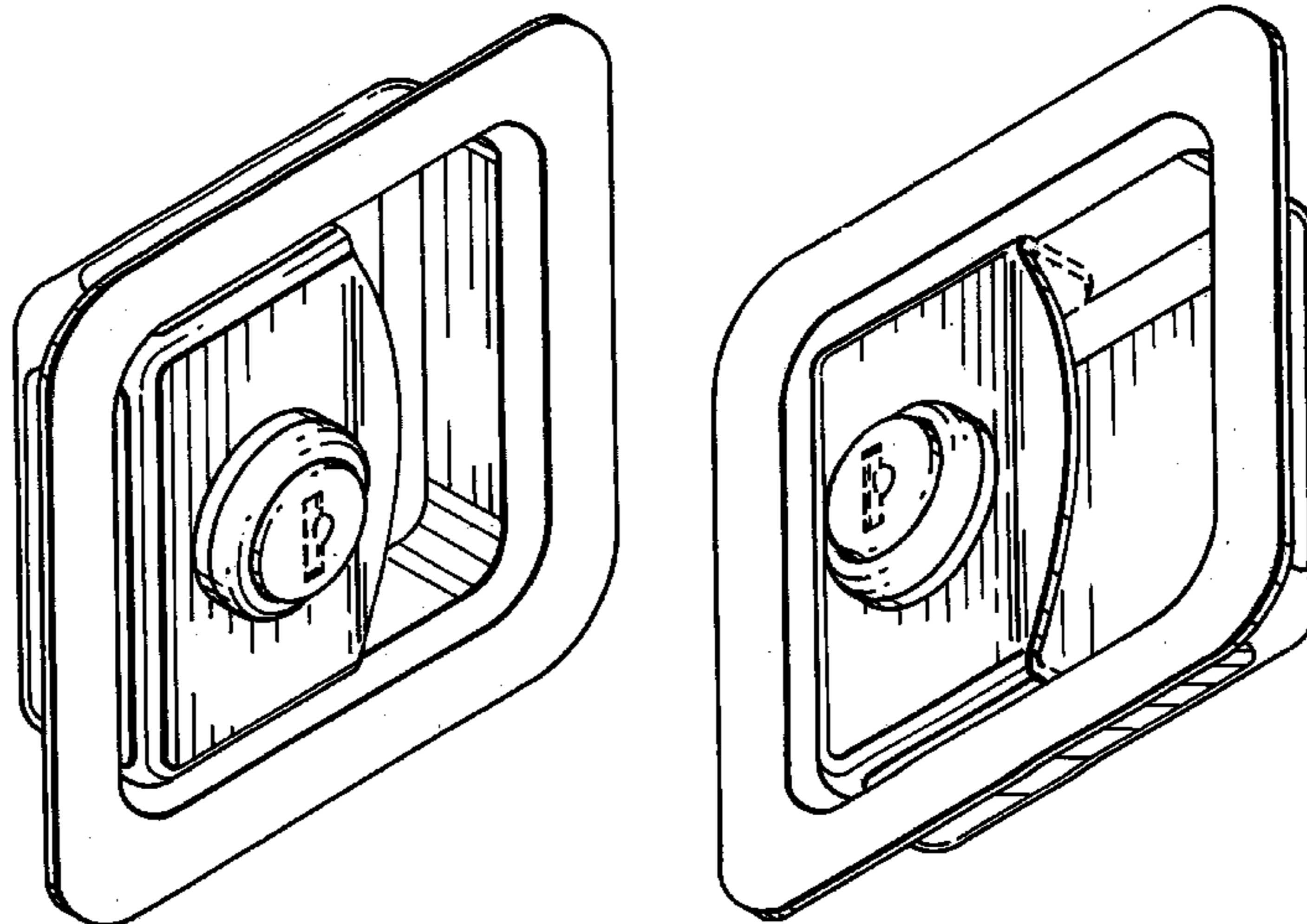
FIG. 3 is a front elevational view thereof;

FIG. 4 is front and bottom perspective view thereof;

FIG. 5 is a front and left side perspective view thereof; and,

FIG. 6 is a front and right side perspective view thereof, the portions in broken lines are shown for illustrative purposes only and form no part of the claimed design.

1 Claim, 3 Drawing Sheets



US D504,803 S

Page 2

U.S. PATENT DOCUMENTS

4,309,884 A	1/1982	Davis	70/472	D371,500 S	7/1996	McConnell et al.	D8/302
4,320,642 A	3/1982	Pastva, Jr.	70/472	D373,298 S	9/1996	Miehe et al.	D8/302
4,420,954 A	12/1983	Hieronymi et al.	70/150	D383,664 S	9/1997	Bennett	D8/331
4,438,964 A	3/1984	Peters	292/216	D390,086 S	2/1998	Weinerman et al.	D8/306
4,489,904 A	12/1984	Soederberg	244/75	D390,443 S	2/1998	Zenner	D8/331
4,510,779 A	4/1985	Ahad	70/208	D394,373 S	5/1998	Weinerman et al.	D8/306
4,634,161 A	1/1987	Fukasawa et al.	292/336.3	5,820,174 A	10/1998	Parikh et al.	292/126
4,707,006 A	11/1987	Garg et al.	292/336.3	5,820,175 A	10/1998	Calvin	292/165
4,850,209 A	7/1989	Weinerman et al.	70/208	5,875,948 A	3/1999	Sadler	224/404
D303,617 S	9/1989	Russell et al.	D8/306	5,927,773 A	7/1999	Larsen et al.	292/337
D303,618 S	9/1989	Russell et al.	D8/306	5,941,104 A	8/1999	Sadler	70/208
4,911,487 A	3/1990	Rachocki	292/216	5,983,682 A	11/1999	Parikh	70/208
4,917,412 A	4/1990	Swan et al.	292/48	5,992,908 A	11/1999	Yared et al.	292/196
4,951,486 A	8/1990	Braun et al.	70/208	6,006,560 A	12/1999	DeVries	70/208
4,986,576 A	1/1991	Anderson	292/40	D419,421 S	1/2000	Larsen et al.	D8/306
4,989,907 A	2/1991	Edmonds et al.	292/223	6,109,669 A	8/2000	Pinkow	292/175
D339,050 S	9/1993	Gleason et al.	D8/301	6,349,577 B1	2/2002	Hansen et al.	70/159
5,299,844 A	4/1994	Gleason	292/240	D458,110 S *	6/2002	Landeros	D8/338
D346,731 S	5/1994	Larsen et al.	D8/301	D465,400 S	11/2002	Moore et al.	D8/331
5,413,391 A	5/1995	Clavin et al.	292/170	D498,405 S *	11/2004	Weinerman et al.	D8/306
5,439,260 A	8/1995	Weinerman et al.	292/48				

* cited by examiner

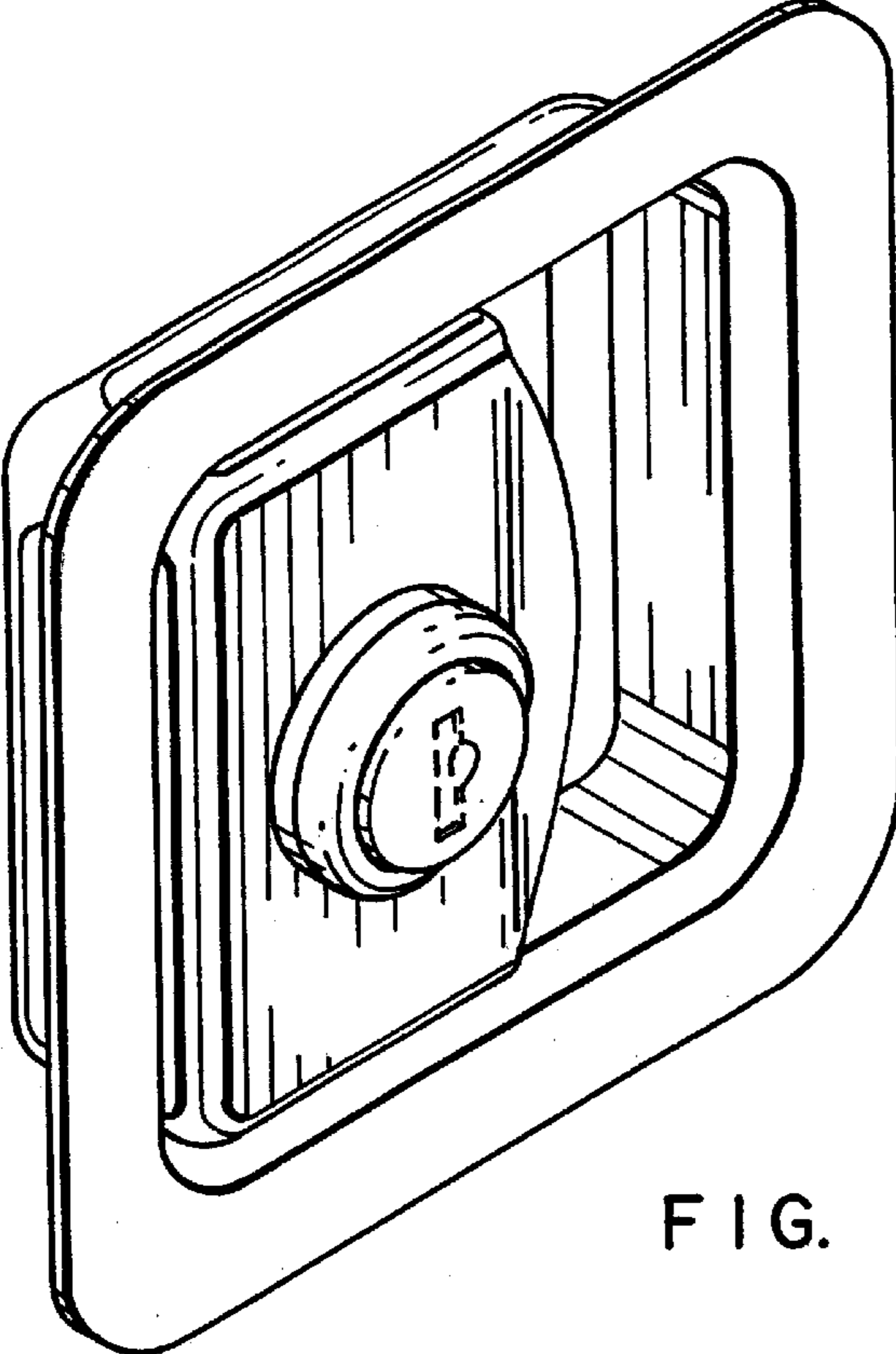


FIG. 1

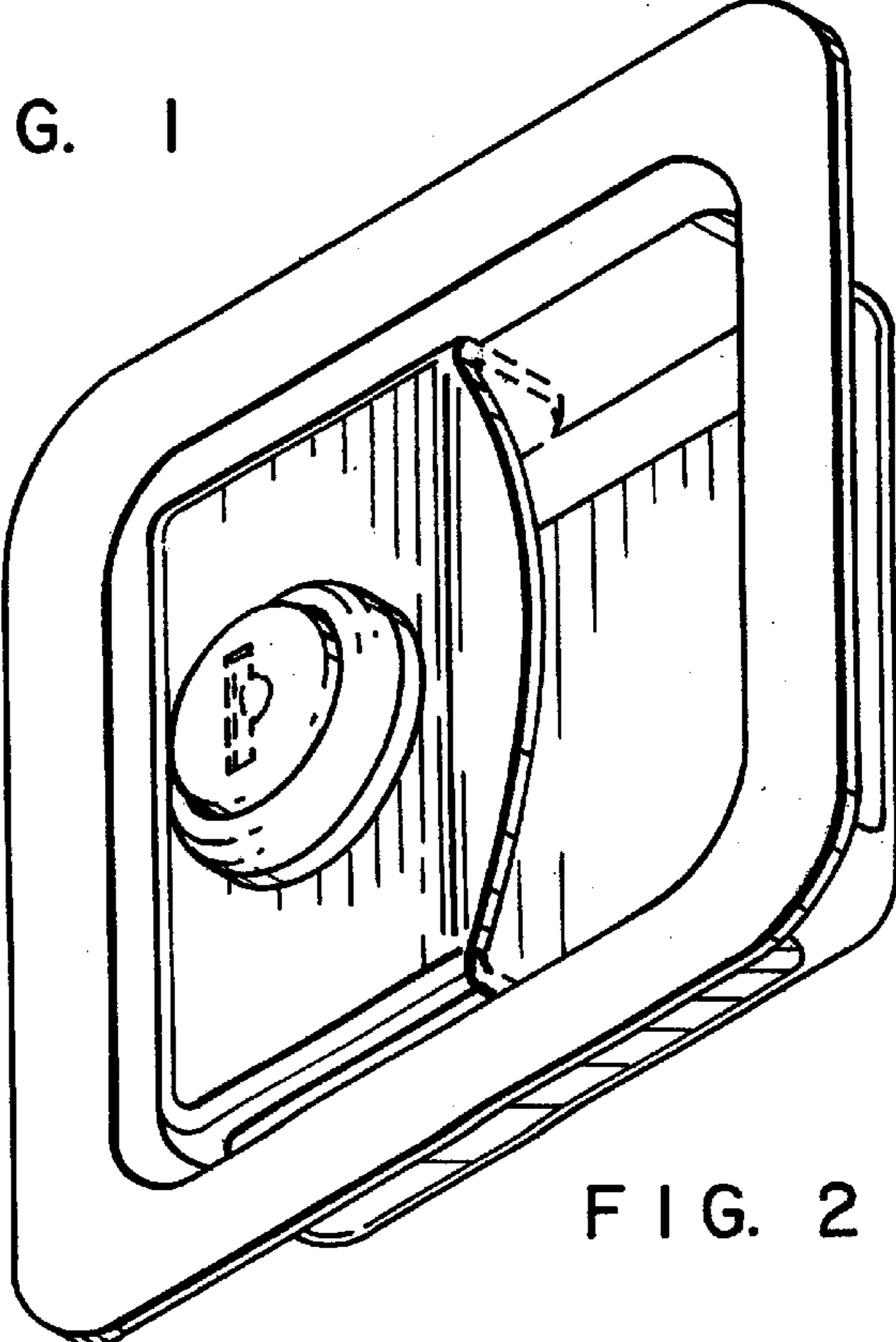


FIG. 2

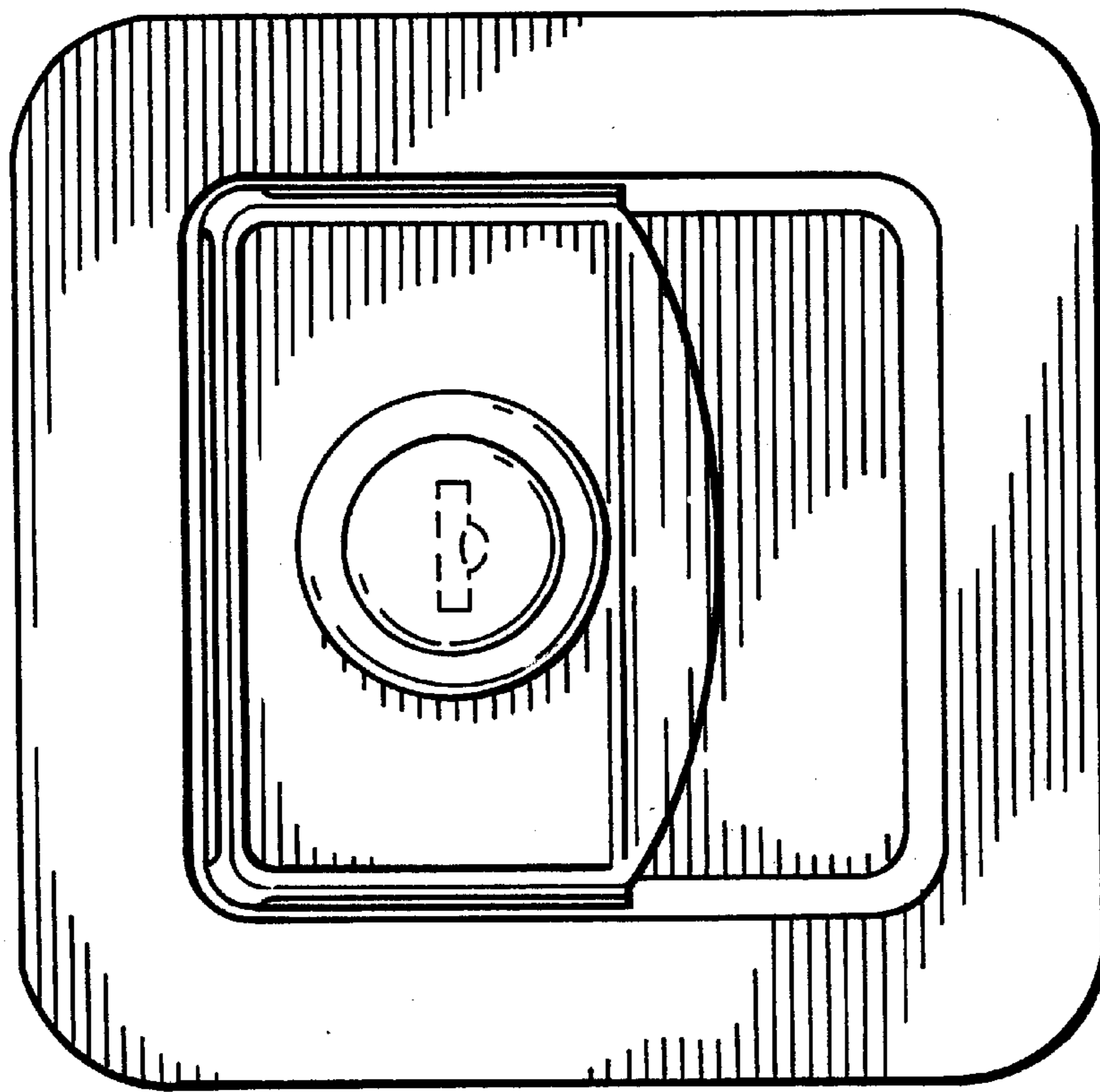


FIG. 3

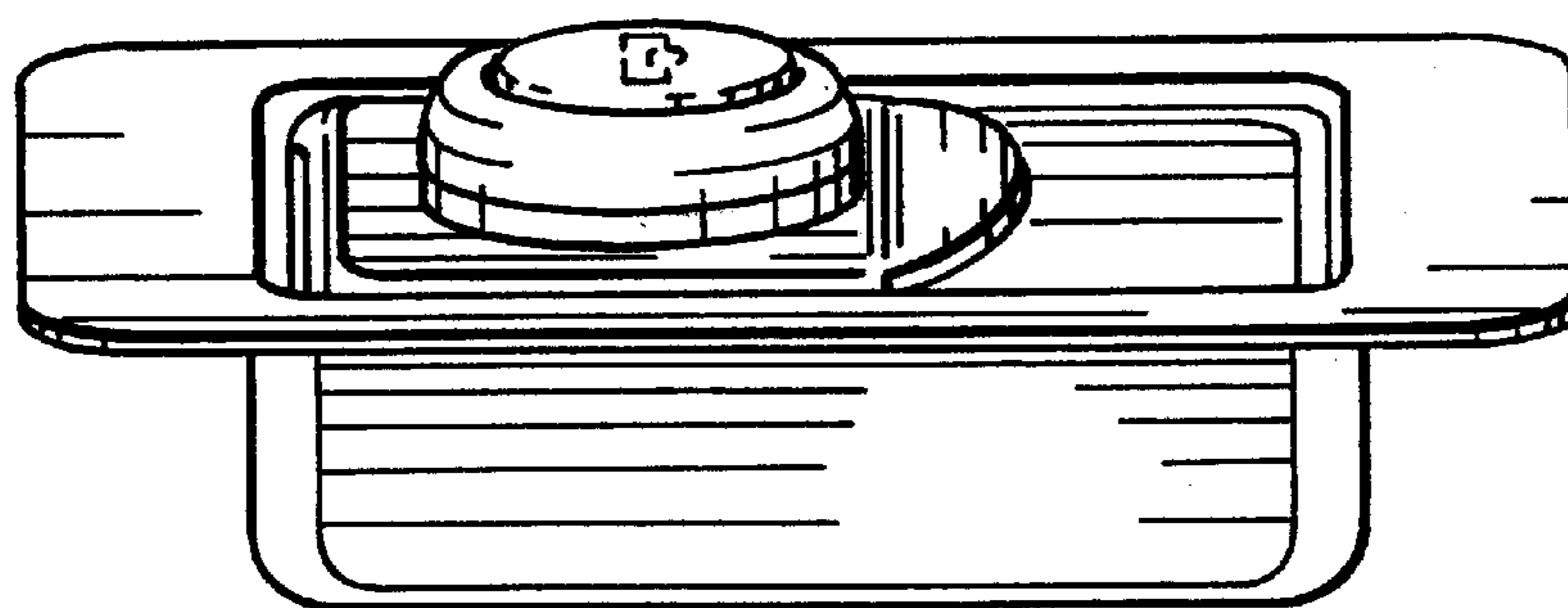


FIG. 4

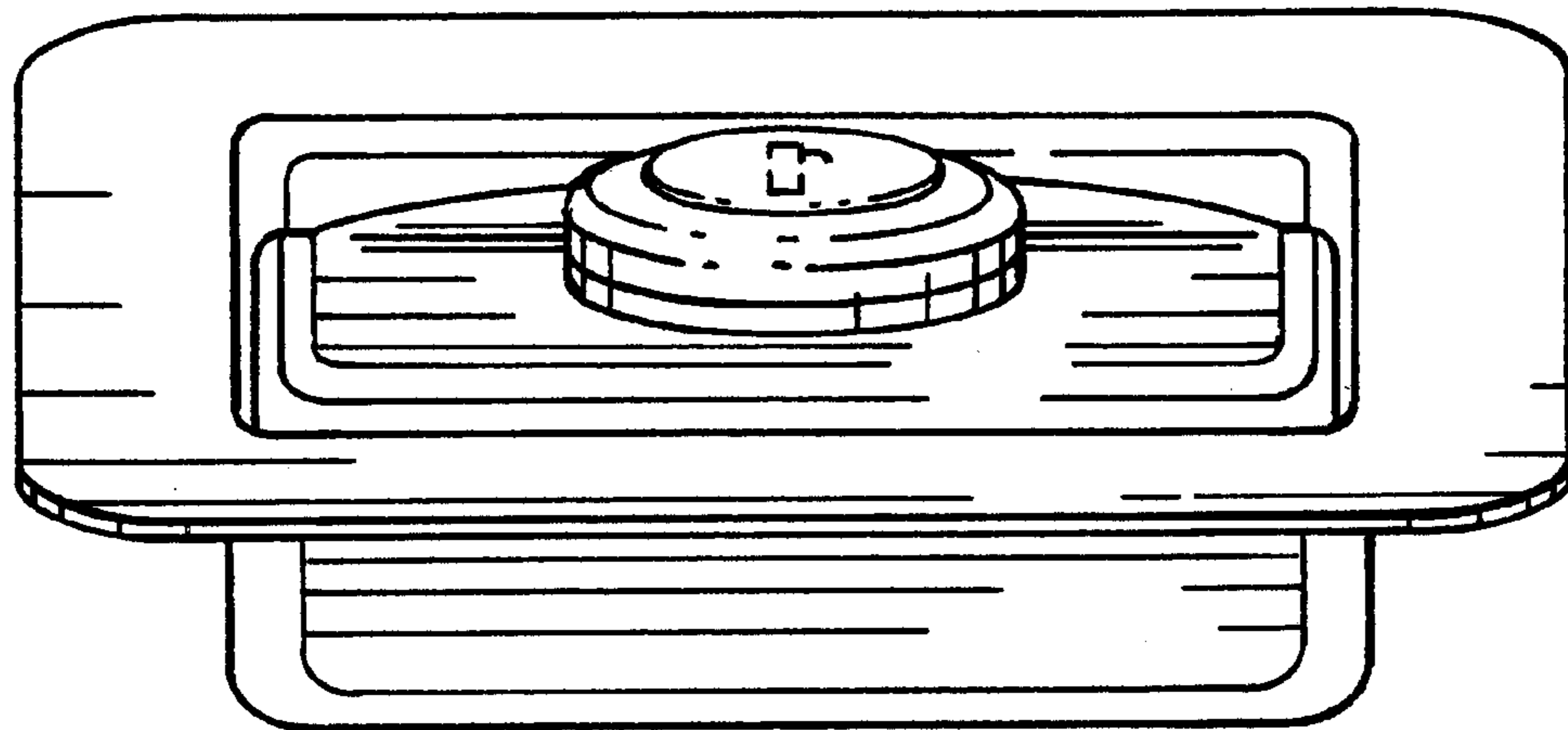


FIG. 5

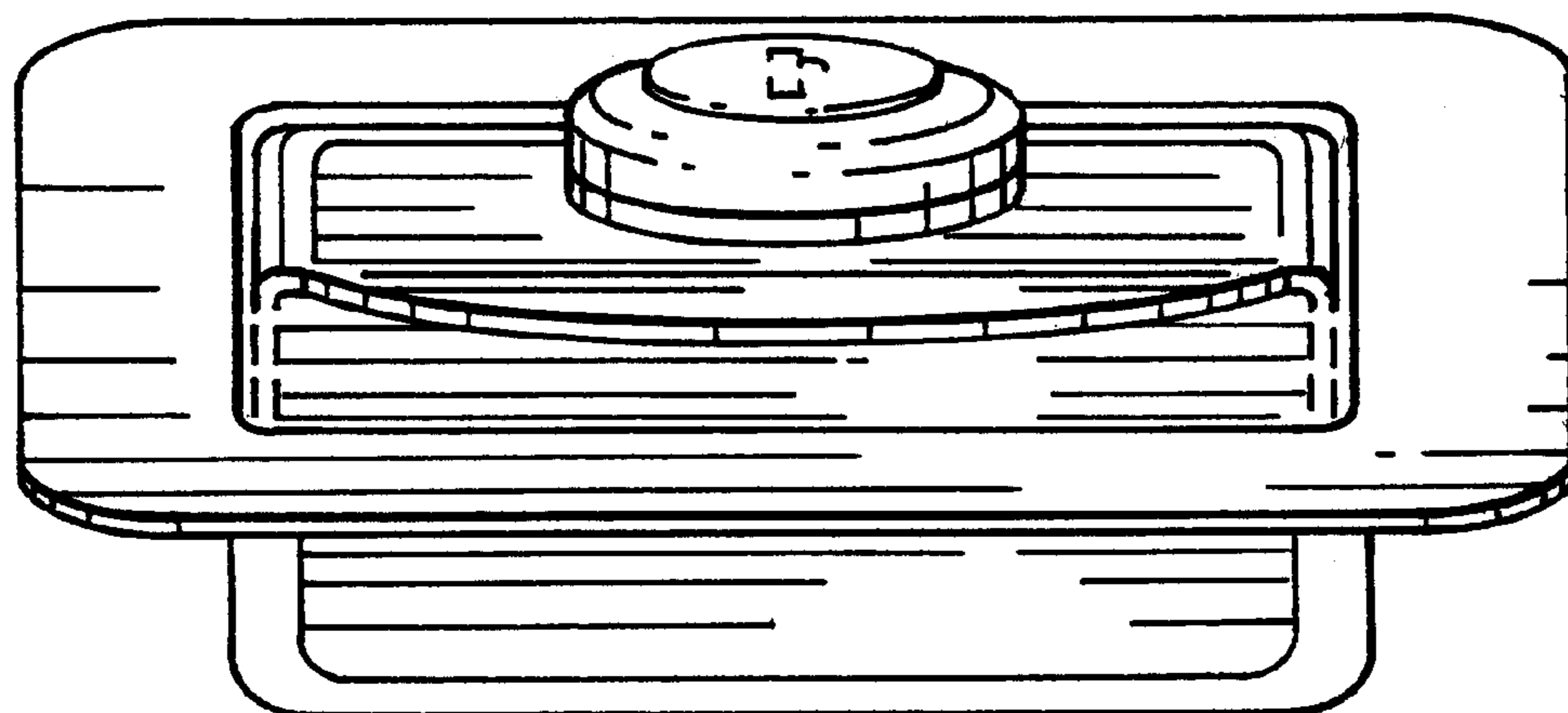


FIG. 6