



US00D504798S

(12) **United States Design Patent** (10) **Patent No.:** **US D504,798 S**
Nipke et al. (45) **Date of Patent:** **** May 10, 2005**

(54) **DOME-TOP KETTLE GRILL**
(75) Inventors: **Mike Nipke**, Grandville, MI (US);
Carlos Rodriguez, Hudsonville, MI (US)
(73) Assignee: **Vendor Development Group, Inc.**,
Grand Rapids, MI (US)
(**) Term: **14 Years**

2,512,223 A 6/1950 Contiguglia
D163,090 S 5/1951 Campbell
D164,497 S 12/1951 Waas
D165,998 S 2/1952 Pollard
2,600,234 A 6/1952 Foley
2,621,586 A 12/1952 Roney
2,641,243 A 6/1953 Goss
2,666,425 A 1/1954 Hasting, Jr.
D171,639 S 9/1954 Clemens, Jr.
2,728,334 A 12/1955 Paolella

(Continued)

(21) Appl. No.: **29/193,582**

(22) Filed: **Nov. 12, 2003**

(51) **LOC (7) Cl.** **07-02**

(52) **U.S. Cl.** **D7/402; D7/337**

(58) **Field of Search** D7/332, 334-337,
D7/402-405; 126/9 R, 9 B, 25 R, 25 A,
25 B, 26, 38, 40, 41 R, 50, 245, 304 R,
305, 693; 99/419, 449; 248/127, 129, 150,
188; 211/135

(56) **References Cited**

U.S. PATENT DOCUMENTS

101,177 A 3/1870 Stevenson
RE4,652 E 11/1871 Roe
479,652 A 7/1892 Marcee
678,024 A 7/1901 Norpis
758,472 A 4/1904 Reams
1,055,311 A 3/1913 Biount
D44,522 S 8/1913 Curtiss
1,394,228 A 10/1921 Sheridan
1,460,928 A 7/1923 Tilden
1,462,578 A 7/1923 Kashinsky
1,596,367 A 8/1926 Miller
1,783,183 A 12/1930 Dibble
2,032,221 A 2/1936 Myers
2,182,663 A 12/1939 Eby et al.
2,274,433 A 2/1942 Schulz
2,314,791 A 3/1943 Jones
2,347,980 A 5/1944 Apfelbaum
D139,850 S 12/1944 Frenning
2,431,905 A 12/1947 Anicetti
2,511,594 A 6/1950 Loffredo

OTHER PUBLICATIONS

Meco Owner's Manual, copyright 1995, "Meco Swinger Grill", 1 pg. 1.

Merchandising, vol. 6, Jan. 1981, p. 113, "Structo Barbecue Grill".

Meco Owner's Manual, copyright 1995, "Meco Swinger Grill" 1 pg.

Merchandising, vol. 6, Jan. 1981, p. 113, "Structo Barbecue Grill".

Primary Examiner—Ruth McInroy

(74) *Attorney, Agent, or Firm*—McAndrews, Held & Malloy, Ltd.

(57) **CLAIM**

We claim the ornamental design for a dome-top kettle grill, as shown and described.

DESCRIPTION

FIG. 1 is a perspective view of a dome-top kettle grill showing our new design;

FIG. 2 is a bottom plan view thereof;

FIG. 3 is a top plan view thereof;

FIG. 4 is a front elevational view thereof;

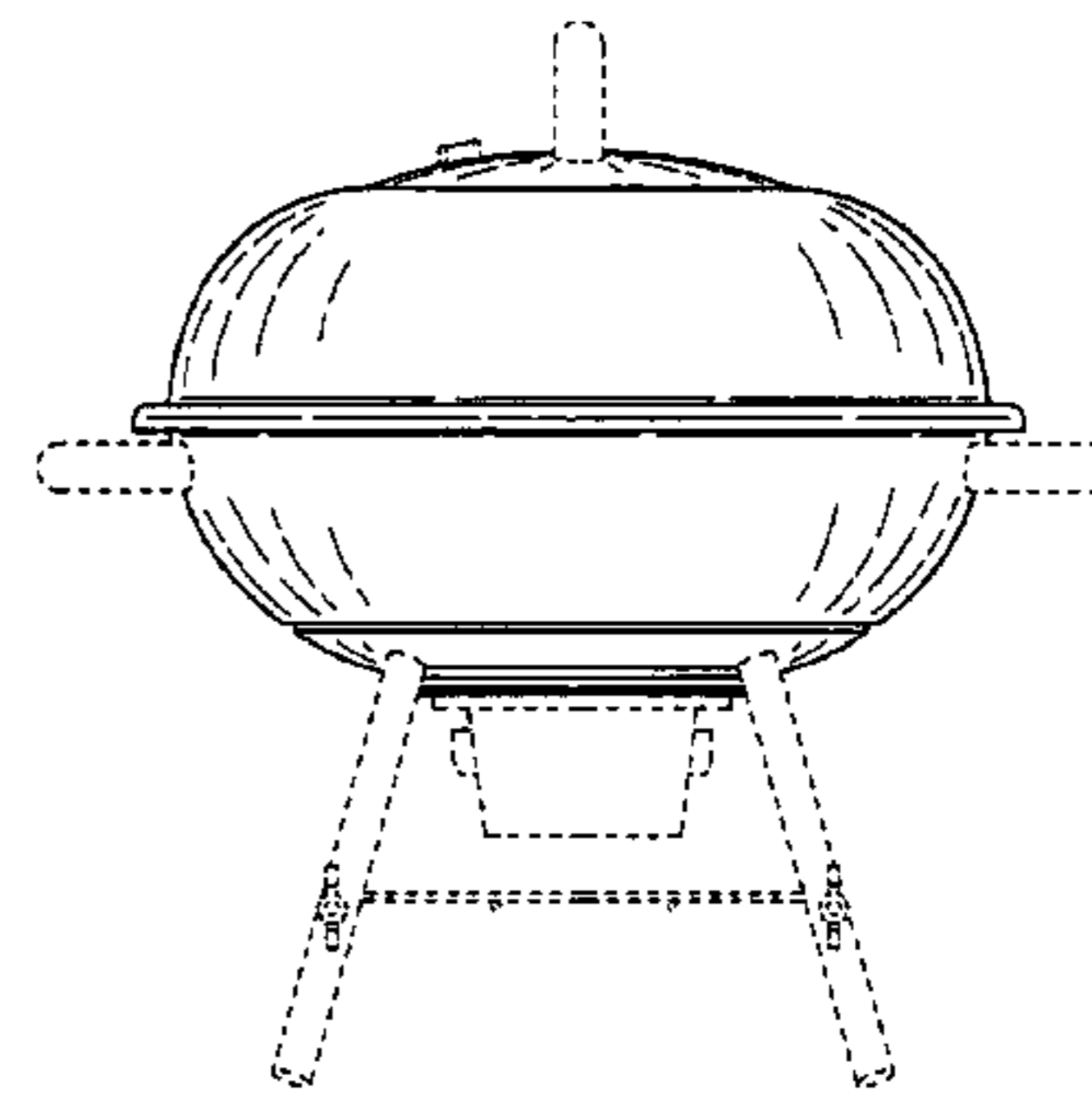
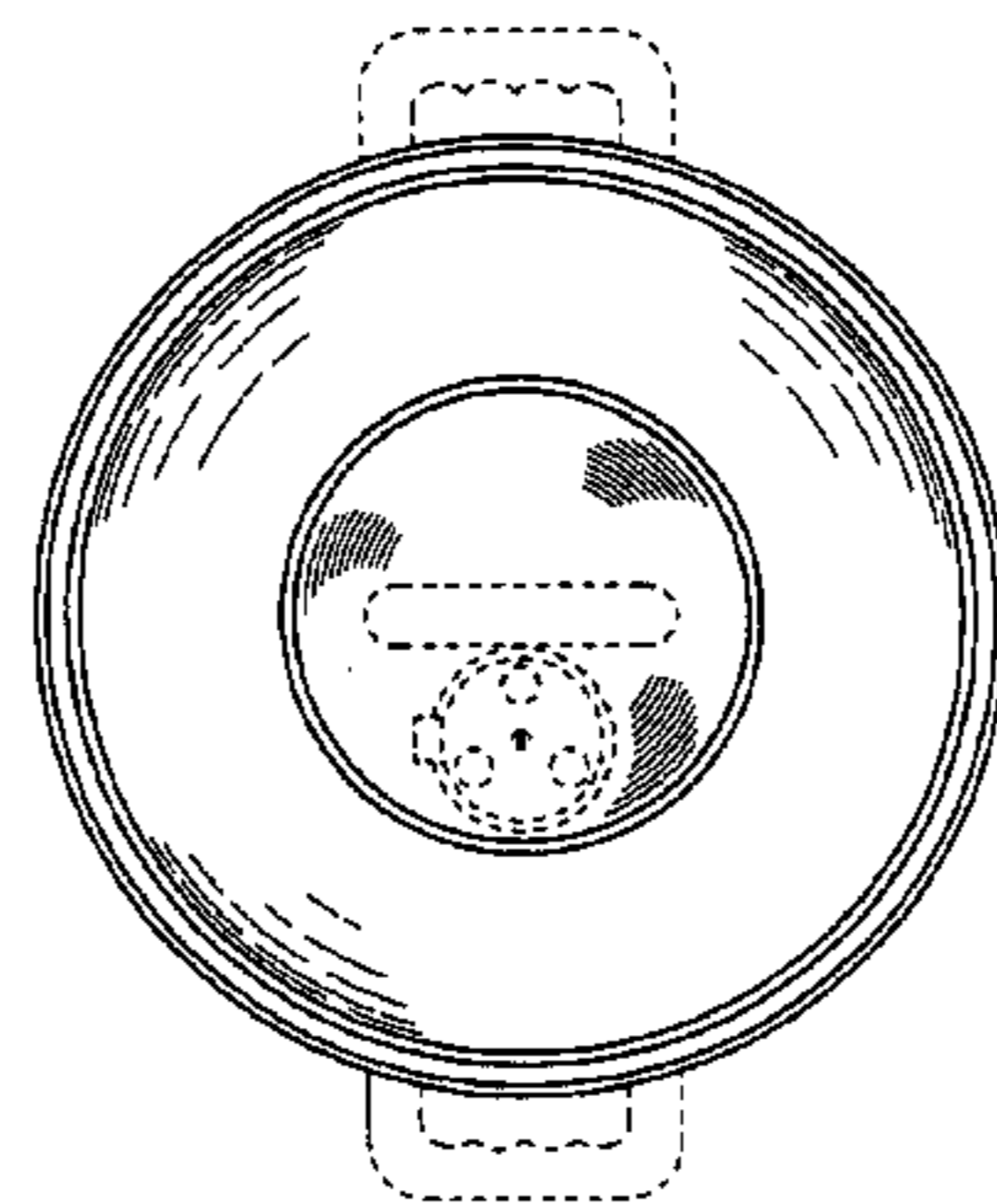
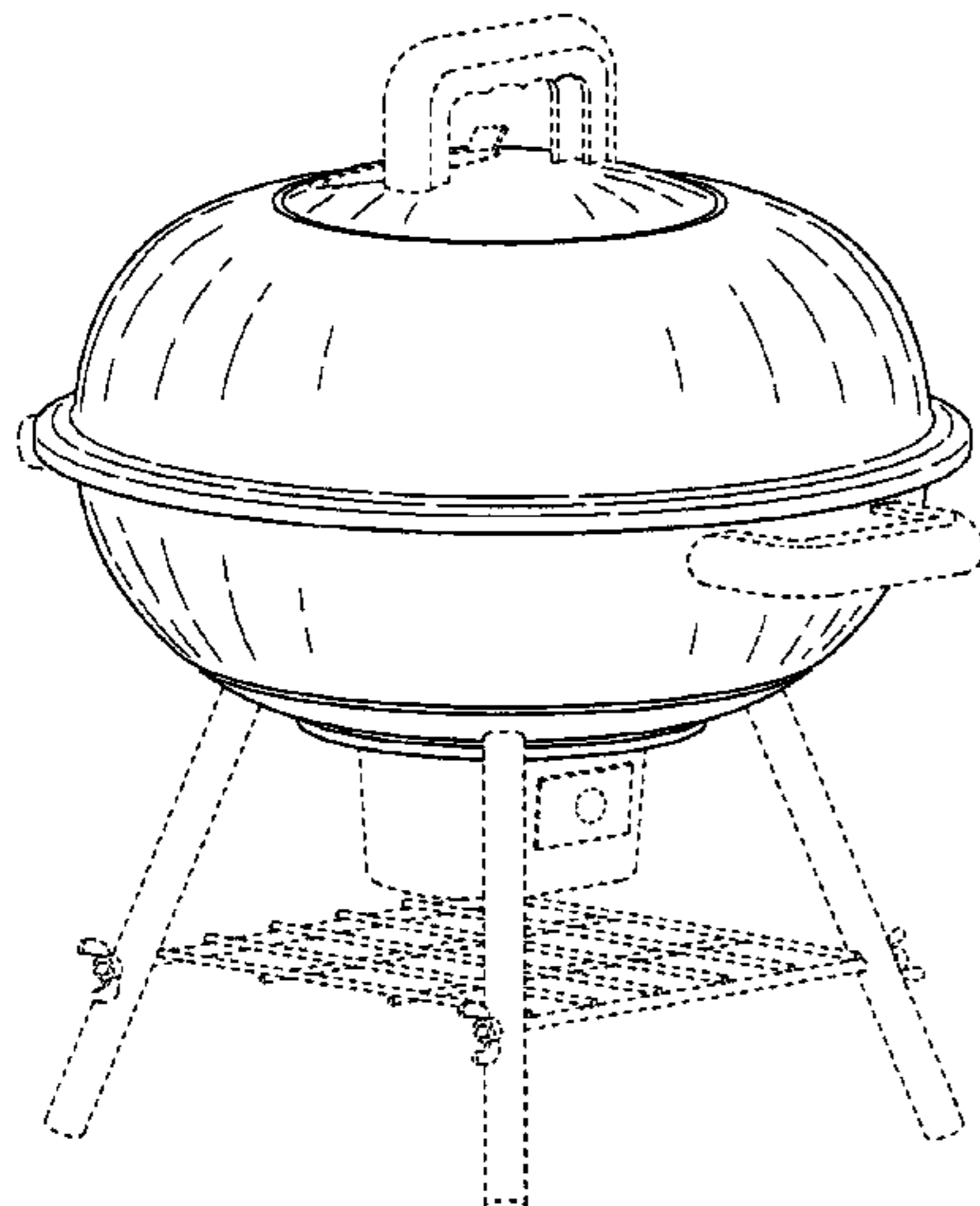
FIG. 5 is a rear elevational view thereof;

FIG. 6 is a left-side elevational view thereof; and,

FIG. 7 is a right-side elevational view thereof.

The details shown in broken lines in all views, form no part of the claimed design.

1 Claim, 4 Drawing Sheets



US D504,798 S

Page 2

U.S. PATENT DOCUMENTS

2,746,378 A	5/1956	Lang	3,981,292 A	9/1976	Lilly et al.
D179,345 S	12/1956	Henry	D243,309 S	2/1977	Reunanen
2,787,995 A	4/1957	Alter	4,008,971 A	2/1977	Wah et al.
2,780,392 A	5/1957	Nonhof	4,034,662 A	7/1977	McLane
2,886,386 A	5/1959	Spitzer	4,083,641 A	4/1978	Sado
2,920,614 A	1/1960	Phelps	D250,317 S	11/1978	Simmons
2,932,479 A	4/1960	Leach	D251,230 S	3/1979	Adams
D188,879 S	9/1960	Gauss et al.	D252,248 S	7/1979	Huff
D189,682 S	1/1961	Bloomfield	4,192,283 A	3/1980	Kridler
D192,199 S	2/1962	Waston et al.	D255,863 S	7/1980	Futch
3,025,848 A	3/1962	Malgesini	4,227,510 A	10/1980	Frazier et al.
D193,163 S	7/1962	Levi	4,273,096 A	6/1981	Hannebaum
3,046,970 A	7/1962	Seaman	4,281,633 A	8/1981	Wackerman
3,073,263 A	1/1963	Wynkoop	4,302,181 A	11/1981	Schlosser
D196,552 S	10/1963	Mayer	4,331,123 A	5/1982	Alles et al.
D196,996 S	11/1963	Kates	4,331,127 A	5/1982	Grosso
3,111,337 A	11/1963	Kates	4,332,188 A	6/1982	Rhear
3,126,881 A	3/1964	Blotsky, Jr.	4,332,235 A	6/1982	Hannebaum
D198,822 S	8/1964	Lyemance	4,337,751 A	7/1982	Sampson et al.
D200,137 S	1/1965	Hanna	4,340,027 A	7/1982	Fuss
3,167,642 A	1/1965	Reis	4,353,347 A	10/1982	Seed
3,200,806 A	8/1965	Goldstein	4,362,093 A	12/1982	Griscom
3,209,743 A	10/1965	Stewart et al.	4,382,432 A	5/1983	Lizdas
3,216,379 A	11/1965	Durfee	4,390,002 A	6/1983	Daily, III
3,217,634 A	11/1965	Fox	D269,758 S	7/1983	Braswell
3,276,440 A	10/1966	Sazegar	D269,839 S	7/1983	Givens, III
D207,567 S	5/1967	Helgeson	D270,988 S	10/1983	Anderson
D208,179 S	7/1967	King et al.	4,453,530 A *	6/1984	Schlosser 126/25 R
3,330,266 A	7/1967	Stephen	4,458,585 A	7/1984	Erbach
3,380,444 A	4/1968	Stalker	4,463,746 A *	8/1984	Knuth et al. 126/25 R
3,385,281 A	5/1968	O'Russa	4,498,452 A *	2/1985	Schlosser et al. 126/9 R
D211,919 S	8/1968	Harff et al.	D278,021 S	3/1985	Schlosser et al.
D214,220 S	5/1969	Ver Halen	4,510,916 A	4/1985	Ogden
3,453,975 A	7/1969	Gunter	4,523,574 A	6/1985	Schlosser
D215,250 S	9/1969	McClaren	D279,537 S	7/1985	Taylor et al.
3,499,399 A	3/1970	Kaufmann	D280,282 S	8/1985	Erbach et al.
3,500,812 A	3/1970	Korngold	4,535,749 A	8/1985	Schlosser
3,520,290 A	7/1970	Winters	4,553,524 A	11/1985	Wheat et al.
3,533,393 A	10/1970	Haapanen	D282,619 S	2/1986	Fitzgerald et al.
3,538,906 A	11/1970	Heraty et al.	4,567,876 A	2/1986	Ogden
D219,413 S	12/1970	Glaser	4,576,140 A	3/1986	Schlosser
D219,629 S	12/1970	Koziol	4,593,676 A	6/1986	Wackerman
D219,693 S	1/1971	Hahn	D284,929 S	8/1986	Schlosser et al.
3,567,065 A	3/1971	Dinse	4,603,679 A	8/1986	Ogden
D222,311 S	10/1971	Wilkinson et al.	4,630,593 A	12/1986	Gremillion
3,611,910 A	10/1971	Hughes	4,635,613 A	1/1987	Tucker et al.
3,611,915 A	10/1971	Glaser	4,667,916 A	5/1987	Richards
3,617,022 A	11/1971	Wiggins	4,677,964 A	7/1987	Lohmeyer et al.
D223,042 S	2/1972	Wilkinson et al.	4,683,866 A	8/1987	Bales et al.
3,638,634 A	2/1972	Bolitho	4,688,541 A	8/1987	Stephen et al.
3,683,791 A	8/1972	Rast	D291,855 S	9/1987	Erbach et al.
3,688,758 A	9/1972	Stephen, Jr.	4,699,120 A	10/1987	Ogden
3,714,937 A	2/1973	Linstead	D293,067 S	12/1987	Stephen et al.
3,734,076 A	5/1973	Kiziol	D293,191 S	12/1987	Stephen et al.
D227,643 S	7/1973	Koziol	4,718,399 A	1/1988	Shephard
3,759,164 A	9/1973	Robinson	4,727,853 A	3/1988	Stephen et al.
D229,625 S	12/1973	Thomas	D295,135 S	4/1988	Ogden
D229,660 S	12/1973	Gammon	4,735,390 A	4/1988	Richards
3,785,275 A	1/1974	Keats et al.	4,741,322 A	5/1988	Lin
3,791,368 A	2/1974	Hunt	4,762,114 A	8/1988	Blankemeyer
D231,070 S	4/1974	Koziol	4,763,640 A	8/1988	Schnack et al.
3,806,987 A	4/1974	Koziol	4,777,927 A	10/1988	Stephen et al.
3,812,840 A	5/1974	Whaler	D298,406 S	11/1988	Stephen et al.
D231,892 S	6/1974	Warshauer	4,793,580 A	12/1988	Richards
3,822,456 A	7/1974	Petruzzi	D299,690 S	2/1989	Schnack et al.
3,841,299 A	10/1974	Tomita	4,829,978 A	5/1989	Schlosser et al.
D233,585 S	11/1974	Thomas	D301,673 S	6/1989	Ogden
3,865,052 A	2/1975	Streets et al.	4,836,179 A	6/1989	Schlosser et al.
D237,578 S	11/1975	Thomas	D302,641 S	8/1989	Elmburg
3,974,821 A	8/1976	Storandt	4,860,724 A	8/1989	Schlosser et al.
			4,924,845 A	5/1990	Johnson et al.

US D504,798 S

4,926,841 A	5/1990	Woolf	D415,649 S	10/1999	Pai
4,941,817 A	7/1990	Schlosser	D415,653 S	10/1999	Schlosser et al.
4,942,862 A	7/1990	Alden et al.	D415,925 S	11/1999	Pai
4,966,125 A	10/1990	Stephen et al.	D417,362 S	* 12/1999	Ting D7/402
4,966,126 A	10/1990	Wu	6,000,389 A	12/1999	Alpert
D315,079 S	3/1991	Jui-Yen	D420,546 S	2/2000	Pai
D316,355 S	4/1991	Stephen et al.	D426,101 S	6/2000	Pai
5,016,607 A	5/1991	Doolittle et al.	D426,419 S	6/2000	Kuo
5,027,788 A	7/1991	Schlosser	D427,840 S	7/2000	Pai
5,036,832 A	8/1991	Schlosser	D428,760 S	8/2000	Huang
5,044,265 A	9/1991	Janssen	D430,717 S	9/2000	Alden et al.
5,069,196 A	12/1991	Schlosser et al.	D435,387 S	12/2000	Pai
5,076,252 A	12/1991	Schlosser et al.	6,155,248 A	12/2000	Schlosser et al.
D322,909 S	1/1992	Parent et al.	D435,998 S	1/2001	Mak
5,080,313 A	1/1992	Byrum et al.	D437,177 S	2/2001	Giebel et al.
D325,315 S	4/1992	Parent et al.	6,182,559 B1	2/2001	Chiang
D325,318 S	4/1992	Parent et al.	6,230,700 B1	5/2001	Daniels et al.
5,111,802 A	5/1992	Lin	6,357,434 B1	3/2002	Bossler
D327,390 S	6/1992	Schlosser et al.	6,363,925 B1	4/2002	Chavana, Jr. et al.
D327,805 S	7/1992	Parent et al.	D460,657 S	7/2002	Bossler
5,159,917 A	11/1992	Archer et al.	D461,360 S	8/2002	Bossler
5,165,385 A	11/1992	Doolittle et al.	6,439,221 B1	8/2002	Ward et al.
5,213,075 A	5/1993	Stephen et al.	D462,563 S	9/2002	Bossler
5,299,553 A	4/1994	Giebel et al.	D463,707 S	10/2002	Bossler
D350,668 S	9/1994	Giebel et al.	D463,708 S	10/2002	Bossler
D351,308 S	10/1994	Pai	D463,709 S	10/2002	Bossler
D352,865 S	11/1994	Pai	D464,227 S	10/2002	Eisinger et al.
D355,566 S	2/1995	Stephen et al.	D464,524 S	10/2002	Pai
5,394,590 A	3/1995	Yu	D464,529 S	10/2002	Eisinger et al.
D356,924 S	4/1995	Pai	6,474,327 B1	11/2002	Bossler
5,566,606 A	10/1996	Johnston	D466,359 S	12/2002	Bossler et al.
5,572,983 A	11/1996	Schlosser et al.	D466,756 S	12/2002	Bossler et al.
D376,510 S	12/1996	Ting	D471,396 S	* 3/2003	Chiang D7/334
5,640,949 A	6/1997	Smith	6,557,546 B1	5/2003	Gibbons
D381,557 S	7/1997	Bradley et al.	D476,189 S	6/2003	Bossler
D381,860 S	* 8/1997	Chiang D7/334	D478,462 S	8/2003	Zhu
5,749,354 A	* 5/1998	Lin 126/25 R	6,626,090 B2	9/2003	McLemore et al.
D395,785 S	7/1998	Lin	D480,906 S	* 10/2003	Pai D7/334
5,794,608 A	8/1998	Von Berg	D481,256 S	10/2003	Bossler
5,806,510 A	9/1998	Fischer et al.	D482,561 S	* 11/2003	Yeh D7/332
5,809,991 A	9/1998	Pai	D485,116 S	1/2004	Kwok
D404,963 S	2/1999	Schlosser et al.	6,684,876 B2	2/2004	Bossler
5,865,099 A	2/1999	Waugh	D496,821 S	* 10/2004	Pai D7/334
D409,436 S	5/1999	Smith	D497,281 S	10/2004	Pai
D412,086 S	7/1999	Bossler			
D414,374 S	9/1999	Ting			
D414,980 S	10/1999	Pai			

* cited by examiner

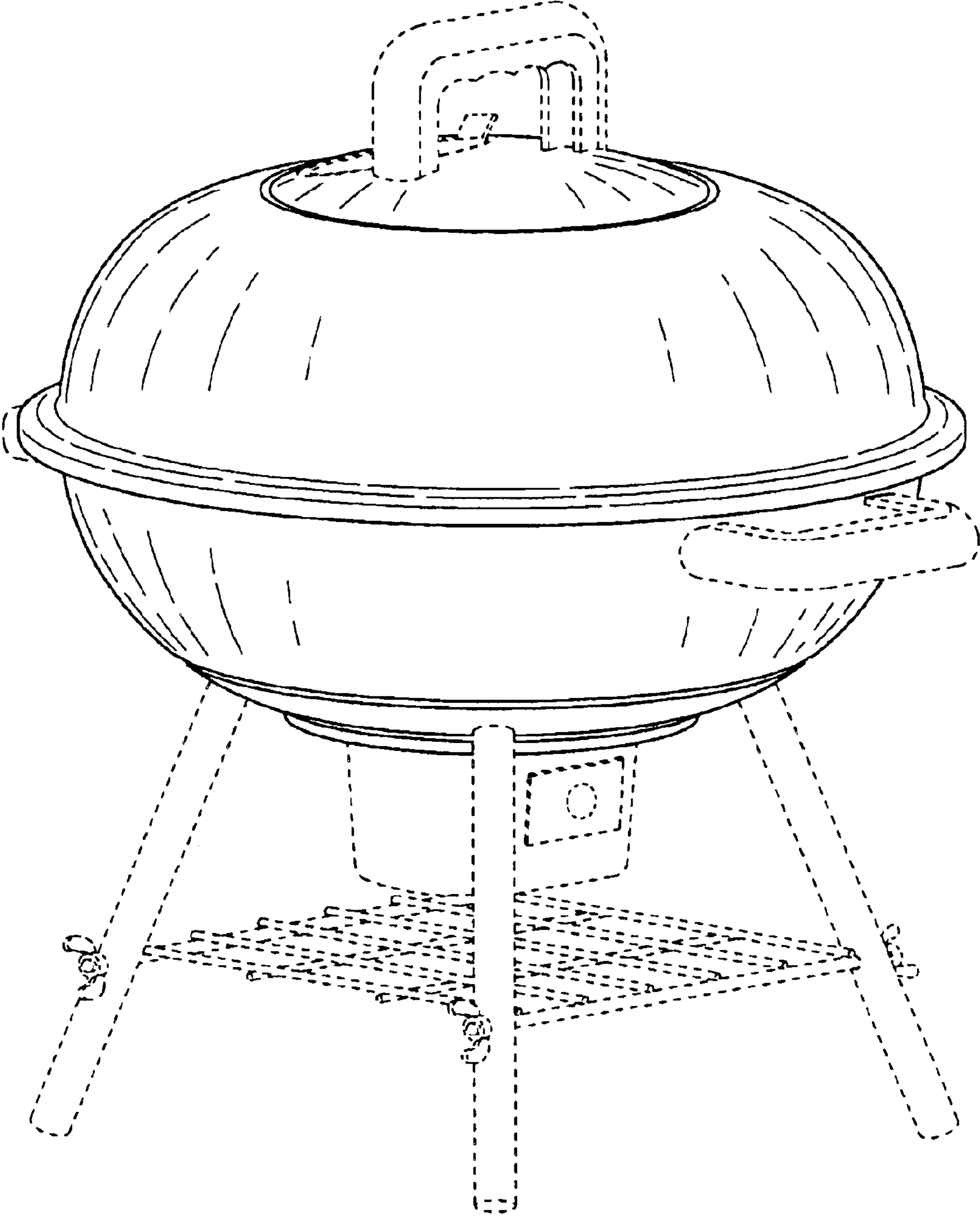


FIG. 1

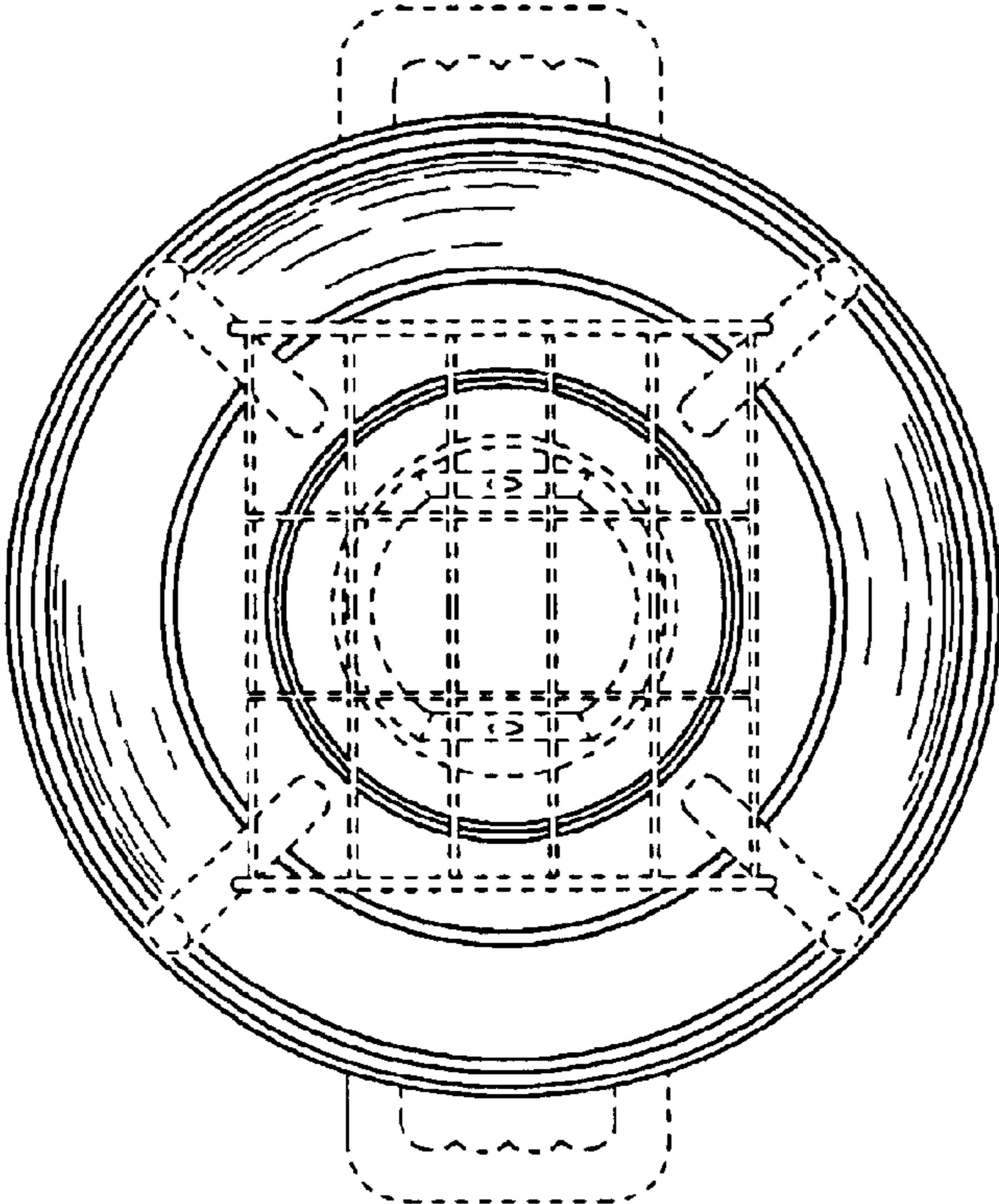


FIG. 2

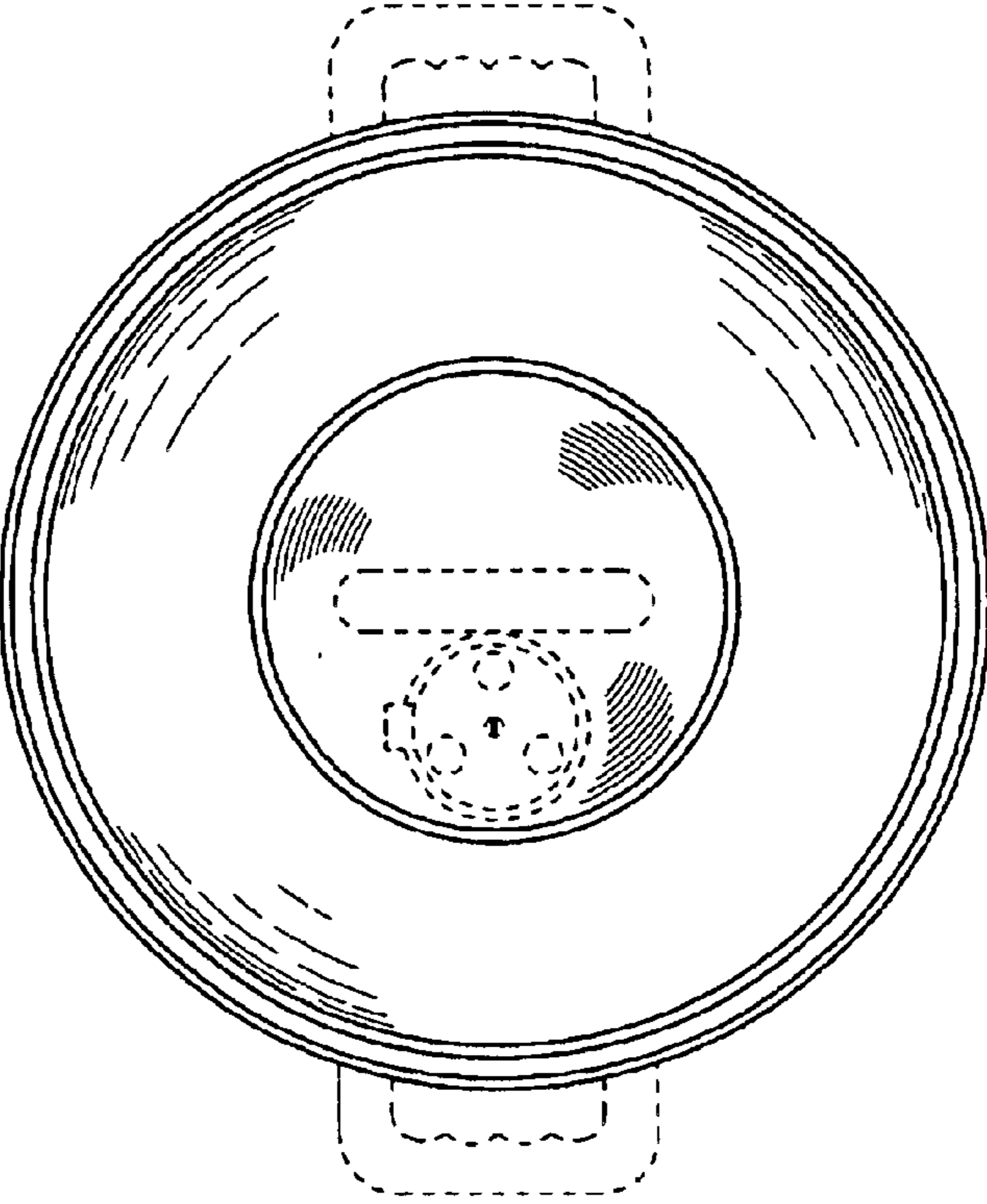


FIG. 3

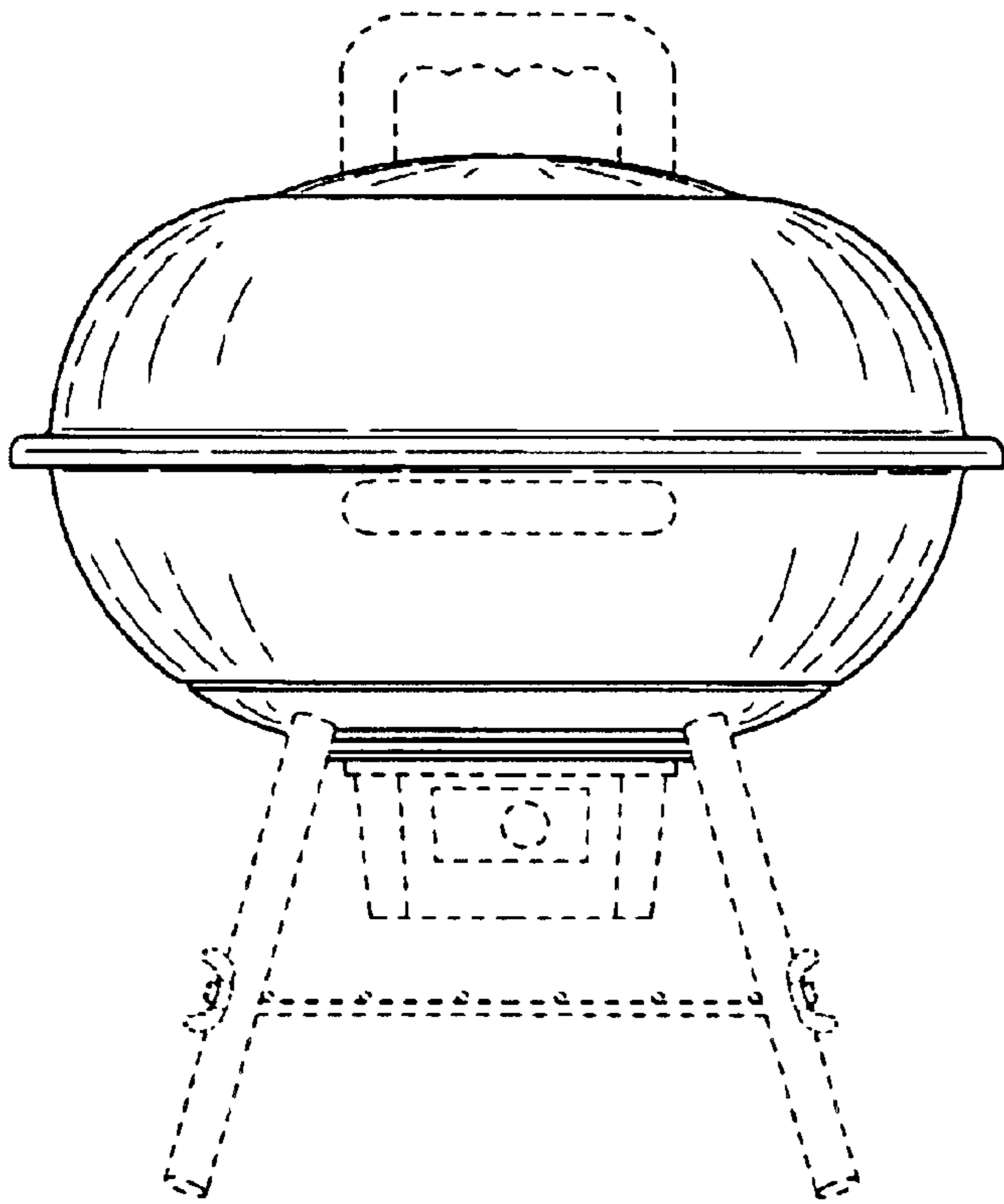


FIG. 4

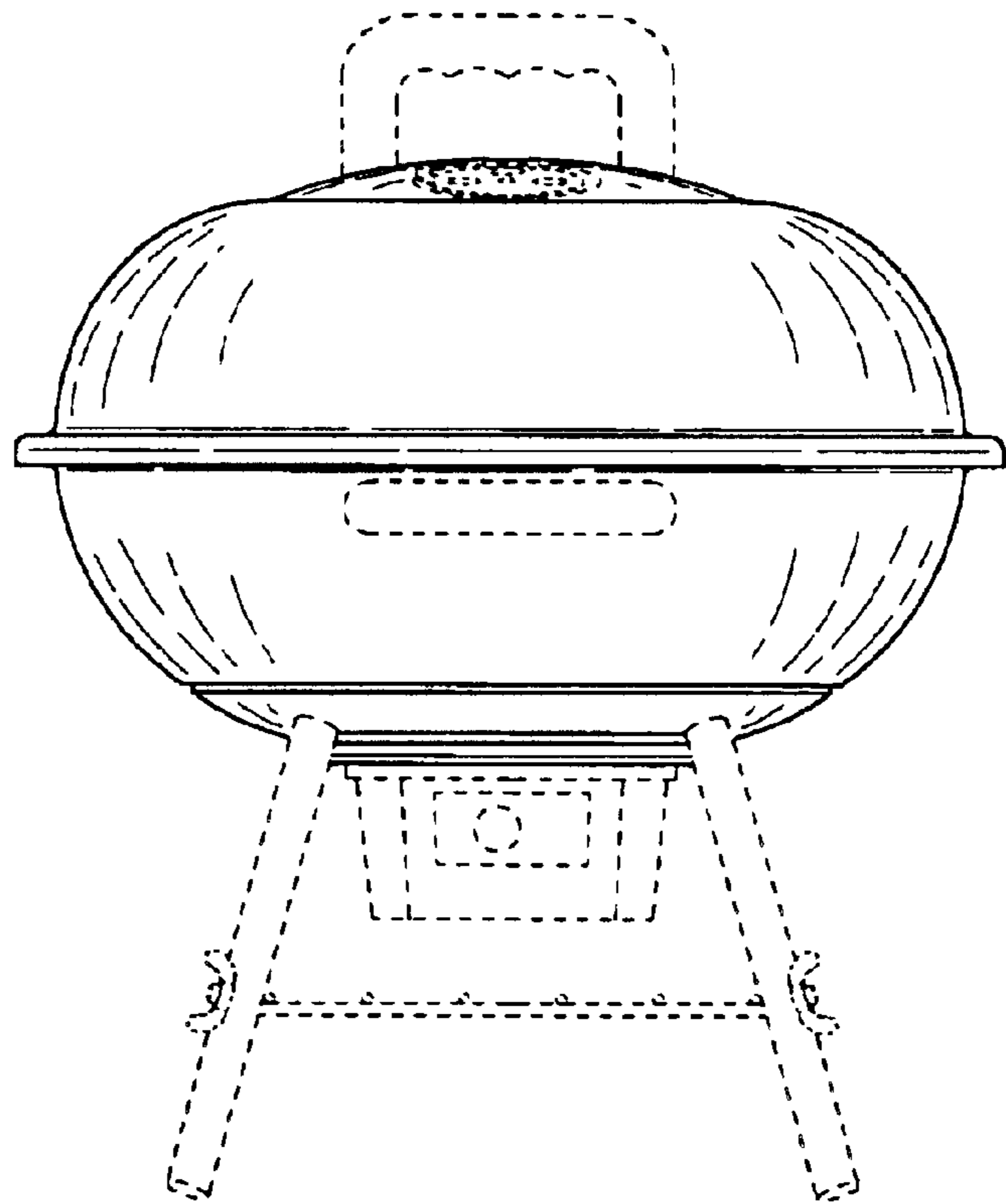


FIG. 5

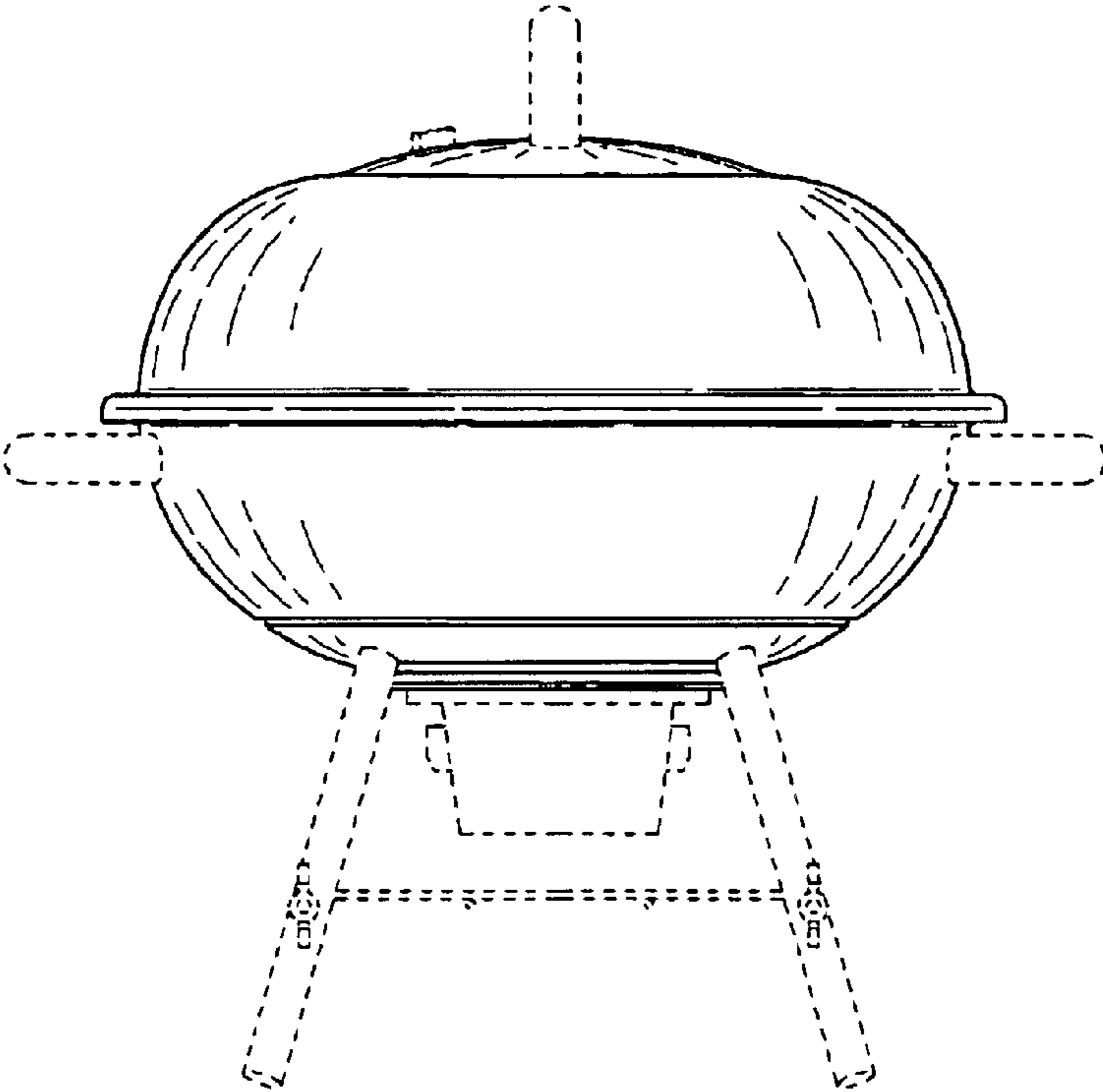


FIG. 6

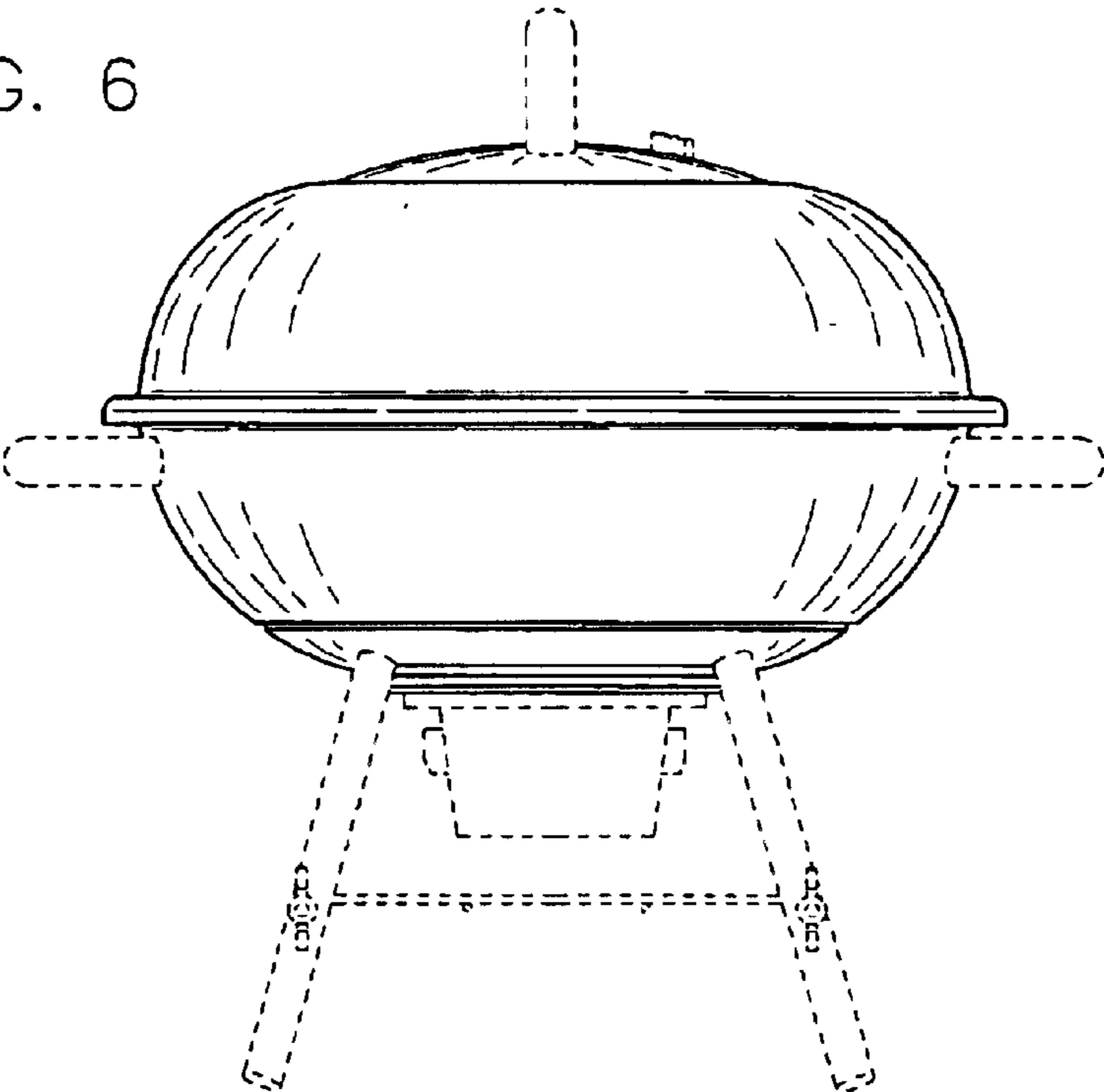


FIG. 7