

US00D504797S

(12) **United States Design Patent**
Lu

(10) **Patent No.:** **US D504,797 S**
(45) **Date of Patent:** **** May 10, 2005**

(54) **HANDLE FOR BARBEQUE UTENSILS**

(75) **Inventor:** **James Lu**, Alpharetta, GA (US)

(73) **Assignee:** **International Business Corporation**,
Alpharetta, GA (US)

(**) **Term:** **14 Years**

(21) **Appl. No.:** **29/199,618**

(22) **Filed:** **Feb. 19, 2004**

(51) **LOC (7) Cl.** **07-02**

(52) **U.S. Cl.** **D7/395**

(58) **Field of Search** D7/393, 395, 681-696,
D7/401.2; 30/322-328; 294/7, 8; 16/110.1,
430, 431; D8/107

(56) **References Cited**

U.S. PATENT DOCUMENTS

D90,251 S	*	7/1933	Hindes	D7/395
D459,943 S	*	7/2002	Richied et al.	D7/395
D460,318 S	*	7/2002	Richied et al.	D7/395
D478,471 S	*	8/2003	Rowe	D7/395

* cited by examiner

Primary Examiner—Terry A. Wallace

(74) *Attorney, Agent, or Firm*—Rodgers & Rodgers

(57) **CLAIM**

The ornamental design for a handle for barbeque utensils, as shown and described.

DESCRIPTION

FIG. 1 is a perspective view of a handle for barbeque utensils showing my new design;

FIG. 2 is a top plan view thereof, the bottom view being identical;

FIG. 3 is a front elevation view thereof, the rear view being identical;

FIG. 4 is a perspective view of an alternate embodiment of FIG. 1;

FIG. 5 is a top plan view of FIG. 4, the bottom view being identical;

FIG. 6 is a front elevation view of FIG. 4, the rear view being identical;

FIG. 7 is a perspective view of an alternate embodiment of FIG. 1;

FIG. 8 is a top plan view of FIG. 7, the bottom view being identical;

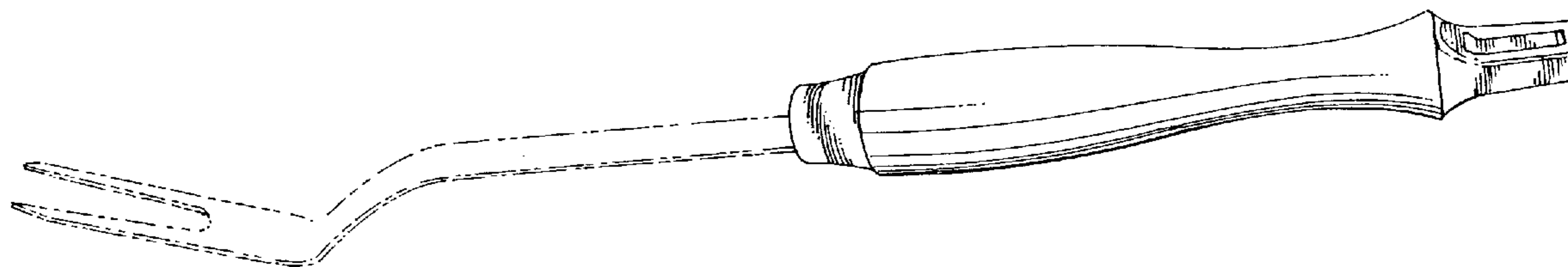
FIG. 9 is a front elevation view of FIG. 7, the rear view being identical;

FIG. 10 is a left side view of FIGS. 1, 4 and 7; and,

FIG. 11 is a right side view of FIGS. 1, 4 and 7.

The broken lines are for illustrative purposes only and form no part of the calimed design.

1 Claim, 4 Drawing Sheets



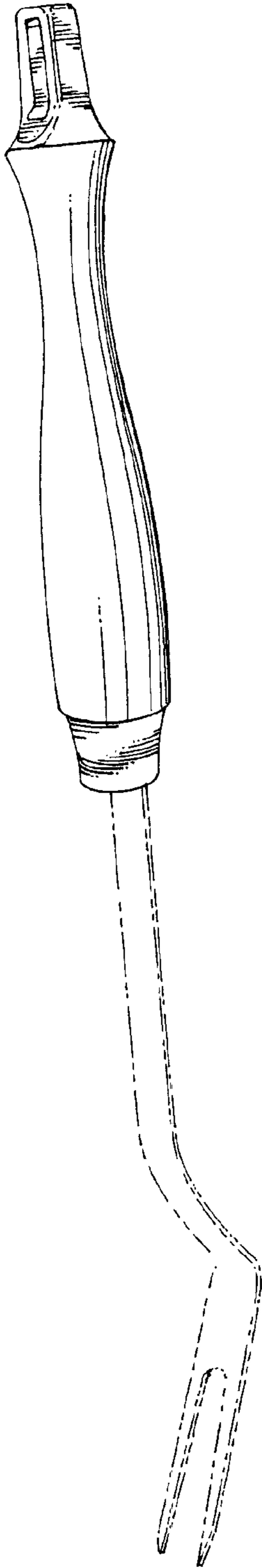


FIG. 1

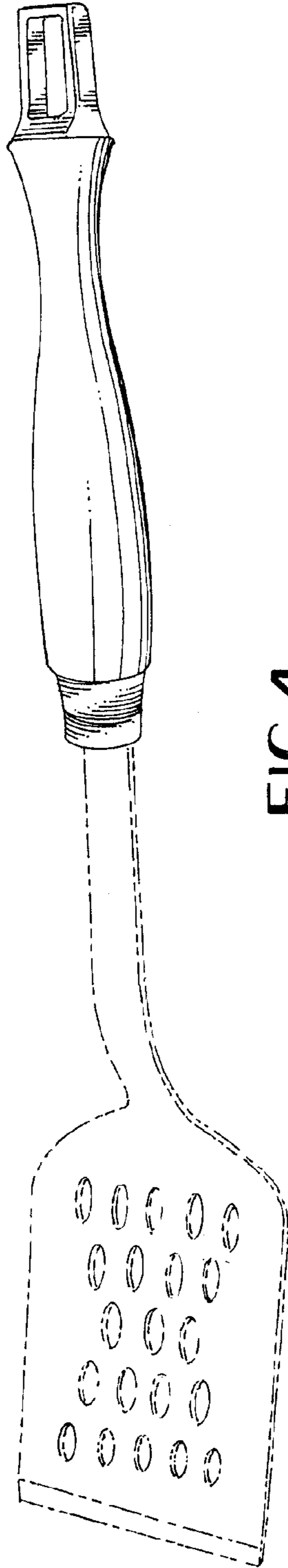


FIG. 4



FIG. 11

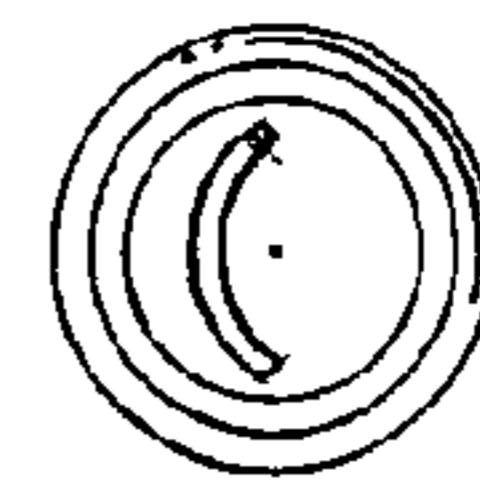


FIG. 10

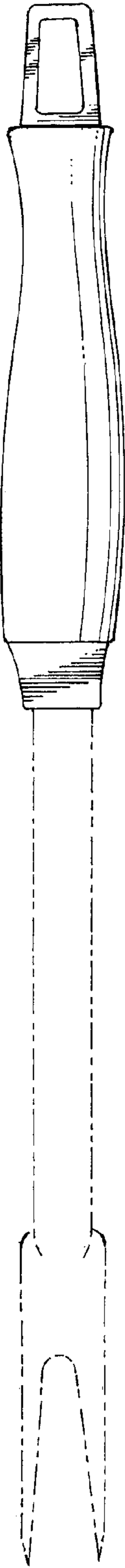


FIG. 2

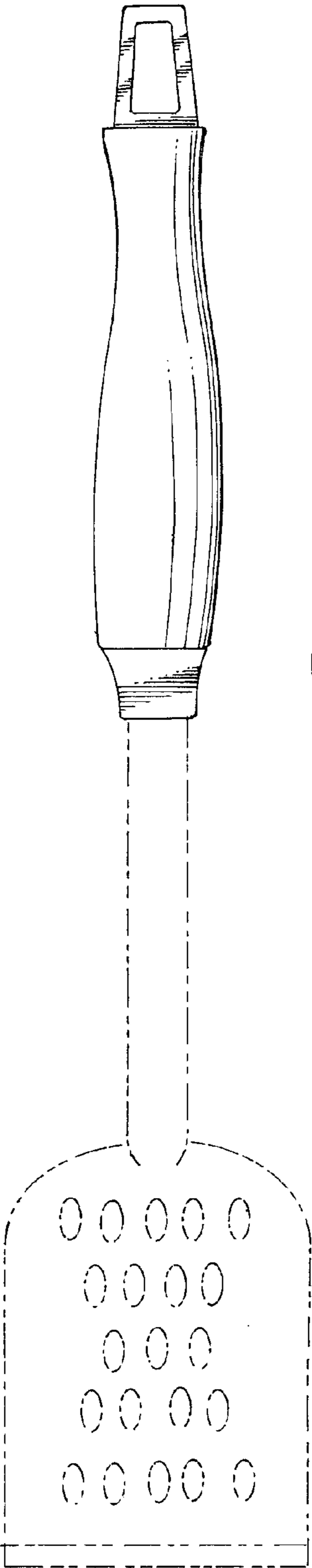


FIG. 5

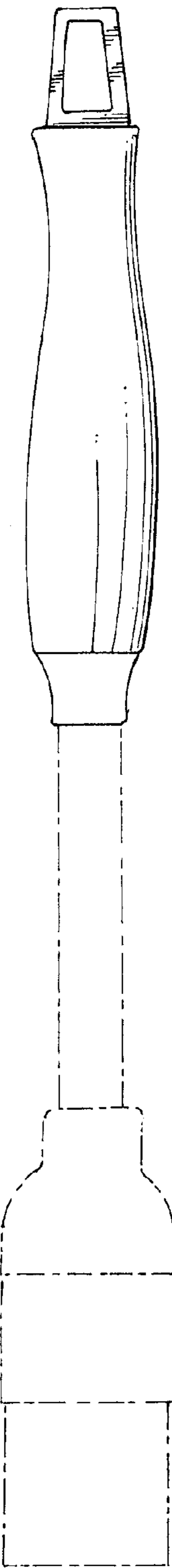


FIG. 8

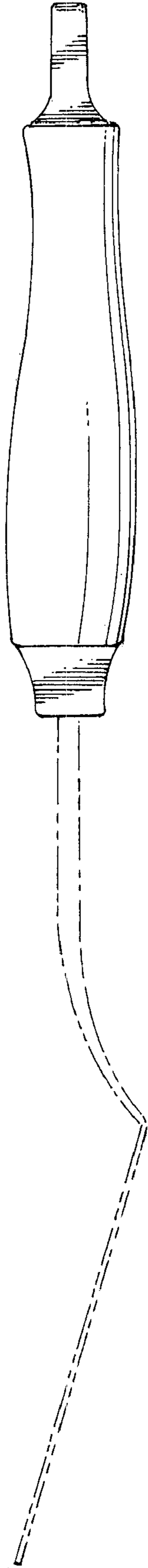


FIG. 3

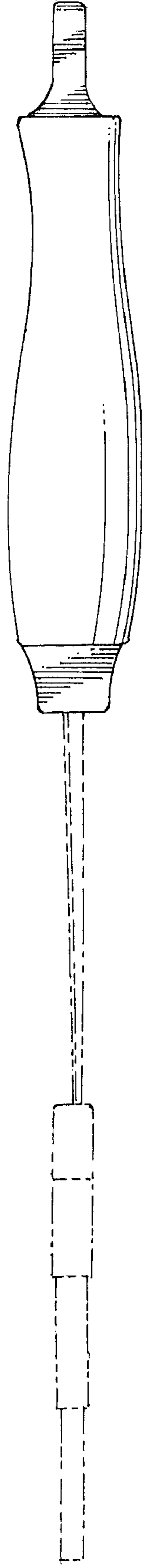


FIG. 9

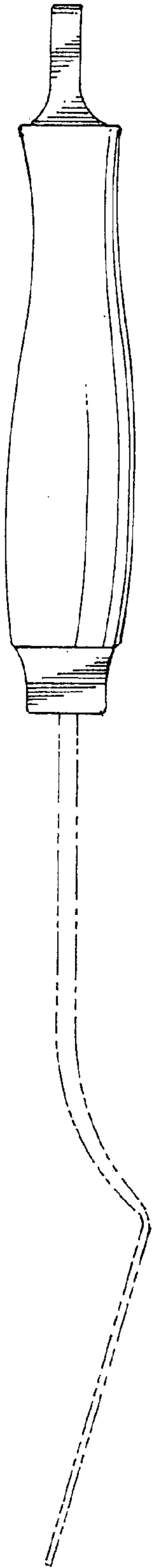


FIG. 6

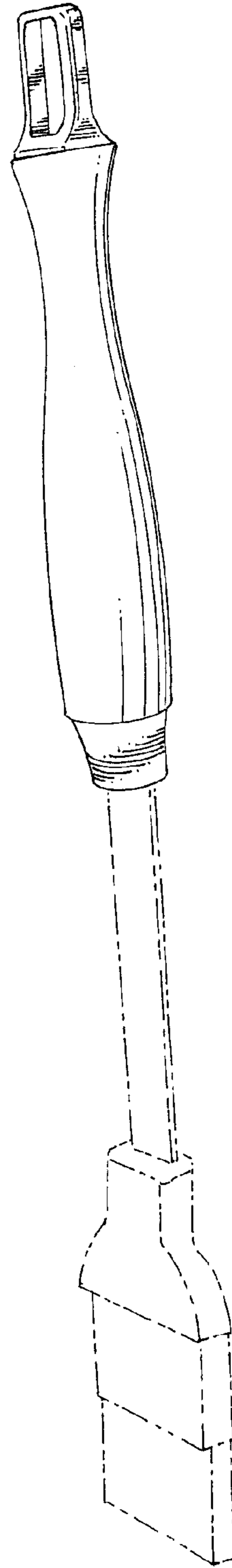


FIG. 7