

US00D504796S

(12) **United States Design Patent** (10) **Patent No.:** **US D504,796 S**
Schuler et al. (45) **Date of Patent:** **** May 10, 2005**

(54) **LID FOR A MUG OR TUMBLER**
 (75) Inventors: **Daniel Schuler**, Chicago, IL (US);
Peter Schmidt, Chicago, IL (US)
 (73) Assignee: **Thermos L.L.C.**, Rolling Meadows, IL
 (US)
 (**) Term: **14 Years**

D459,630 S * 7/2002 Arduini D7/391
 D461,361 S * 8/2002 Orr et al. D7/392.1
 D463,208 S * 9/2002 Copeland D7/392.1
 D470,008 S * 2/2003 Trombly D7/392.1
 D470,009 S * 2/2003 Turchi D7/392.1
 D474,068 S * 5/2003 Fujii et al. D7/392.1
 D477,223 S * 7/2003 Smith et al. D9/447
 D485,759 S * 1/2004 Janky et al. D9/449
 D487,399 S * 3/2004 Schmidtner et al. D9/449
 D493,718 S * 8/2004 Durdon D9/435

(21) Appl. No.: **29/213,475**

* cited by examiner

(22) Filed: **Sep. 17, 2004**

Primary Examiner—Stacia Cadmus

(51) **LOC (7) Cl.** **07-99**

Assistant Examiner—Terrence Huang

(52) **U.S. Cl.** **D7/392.1**

(74) *Attorney, Agent, or Firm*—Wood, Phillips, Katz, Clark
& Mortimer

(58) **Field of Search** D7/392.1, 391,
D7/396.2, 601, 602, 608, 538, 541, 542,
510, 511, 612, 321; D9/503, 435, 447,
449; 220/711, 713

(57) **CLAIM**

The ornamental design for a lid for a mug or tumbler, as shown and described.

(56) **References Cited**

DESCRIPTION

U.S. PATENT DOCUMENTS

D379,928 S * 6/1997 Freek et al.
 D406,006 S * 2/1999 Hatsumoto et al. D7/396.2
 D415,651 S * 10/1999 Trombly D7/392.1
 D416,755 S * 11/1999 Trombly D7/392.1
 D417,583 S * 12/1999 Demore D7/392.1
 D418,363 S * 1/2000 Barnes et al. D7/392
 D418,364 S * 1/2000 Demore D7/392.1
 D431,412 S * 10/2000 Trombly D7/392.1
 D433,275 S * 11/2000 Betras D7/392.1
 D436,536 S * 1/2001 Levi D9/447
 D437,223 S * 2/2001 Coy et al. D9/447
 D446,997 S * 8/2001 Price D7/392.1
 D448,970 S * 10/2001 Miller D7/392.1
 D452,415 S * 12/2001 McDonough et al. D7/510
 D453,190 S * 1/2002 Trombly D19/85
 D457,778 S * 5/2002 Randolph et al. D7/392.1

FIG. 1 is a perspective view from the top and one side of our lid for a mug or tumbler design;
 FIG. 2 is a front elevation view of our lid for a mug or tumbler design;
 FIG. 3 is a rear elevation view of our lid for a mug or tumbler design;
 FIG. 4 is a side elevation view of our lid for a mug or tumbler design taken from left of FIG. 2;
 FIG. 5 is a side elevation view of our lid for a mug or tumbler design taken from right of FIG. 2; and,
 FIG. 6 is a top plan view of our lid for a mug or tumbler design.
 It is to be understood that parts shown in dotted lines form no part of our inventive lid for a mug or tumbler design.

1 Claim, 4 Drawing Sheets

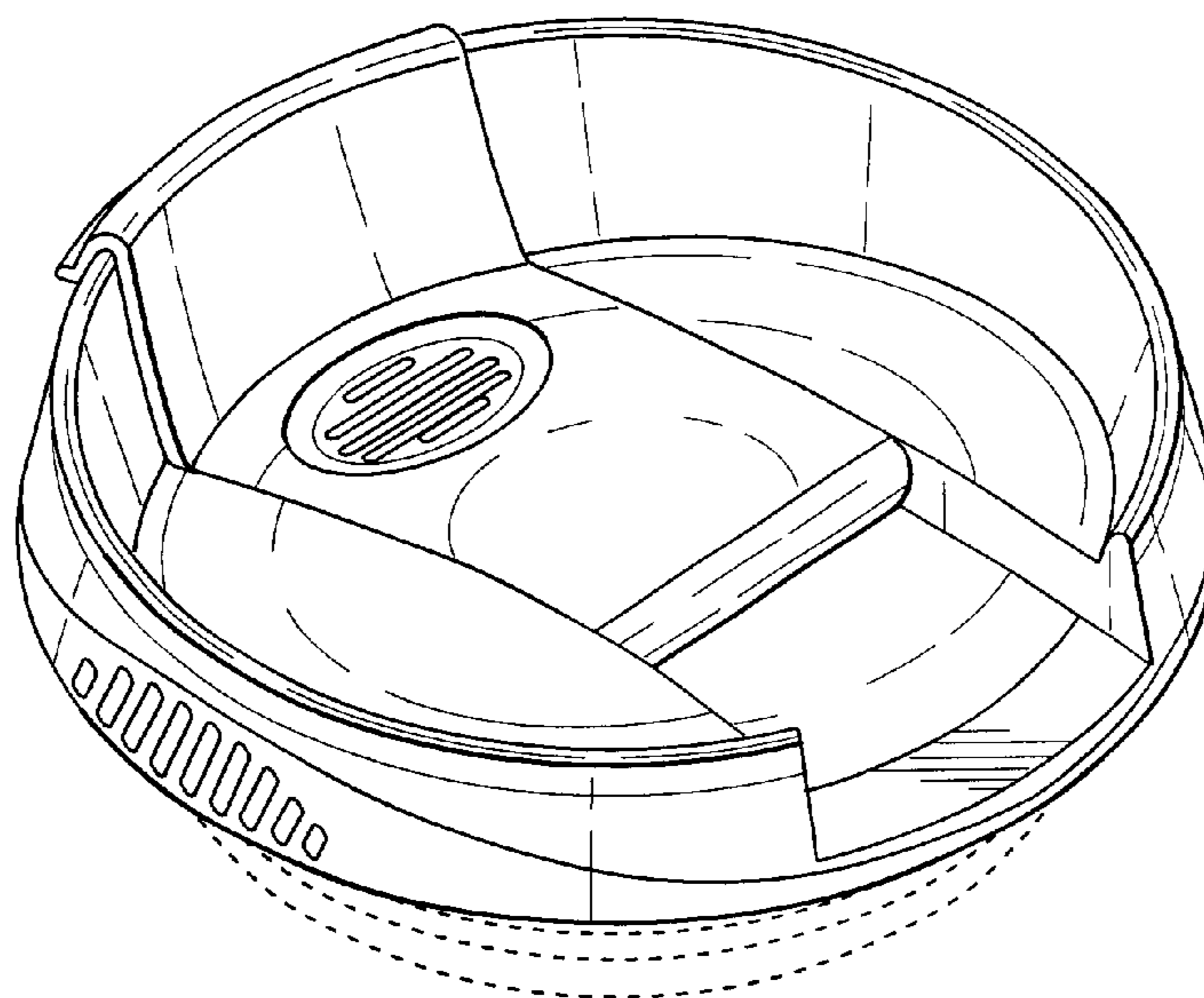


Fig. 1

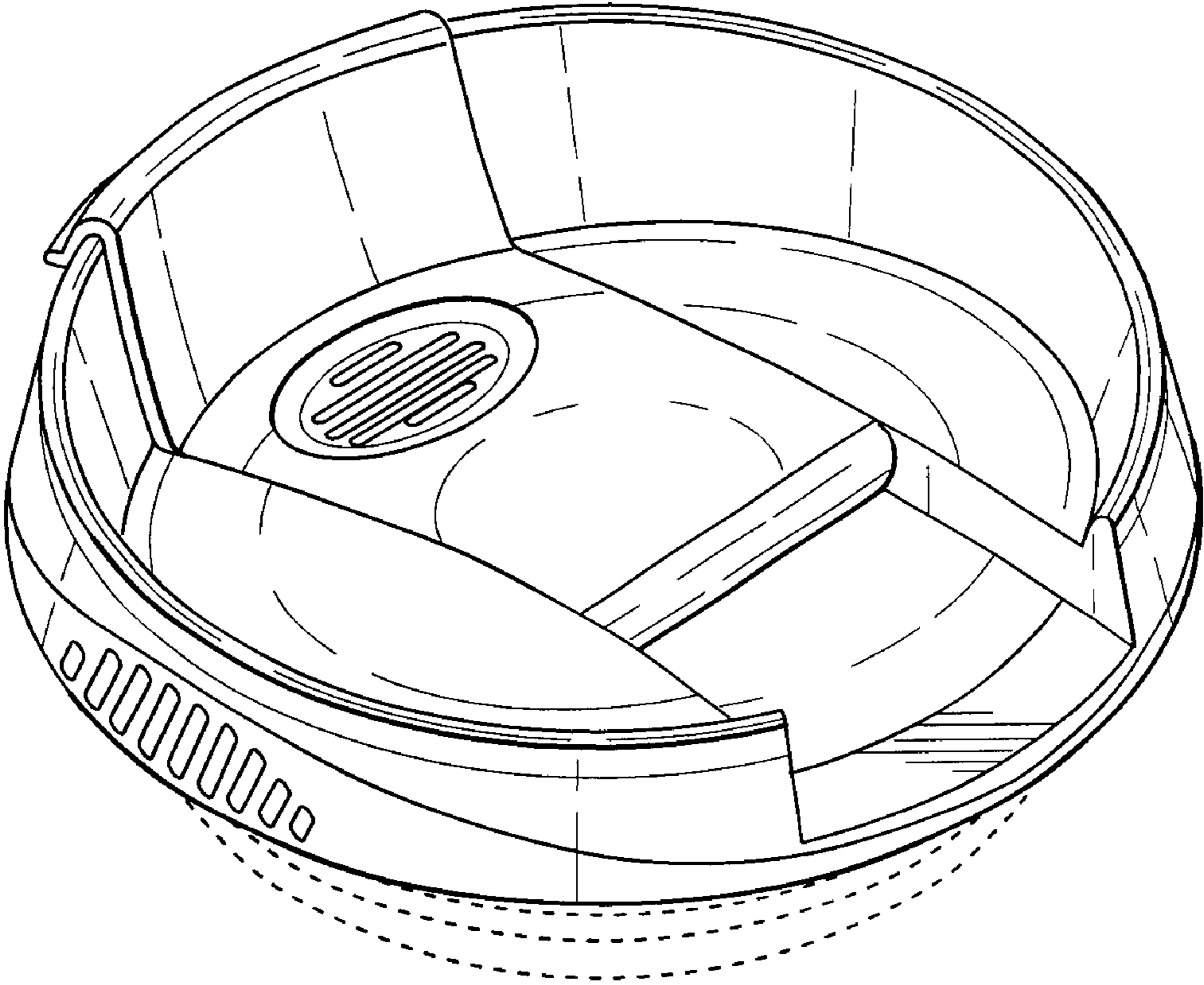


Fig. 2

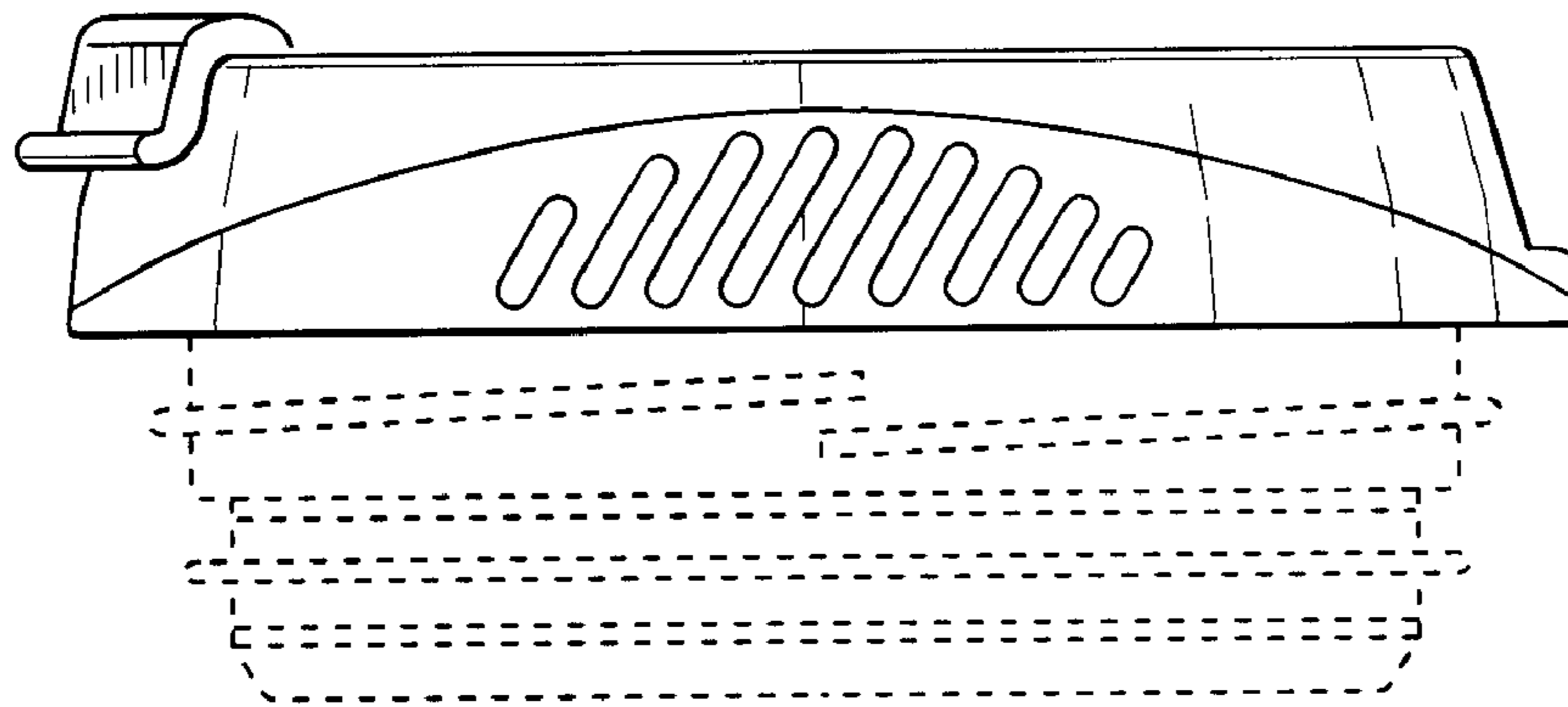


Fig. 3

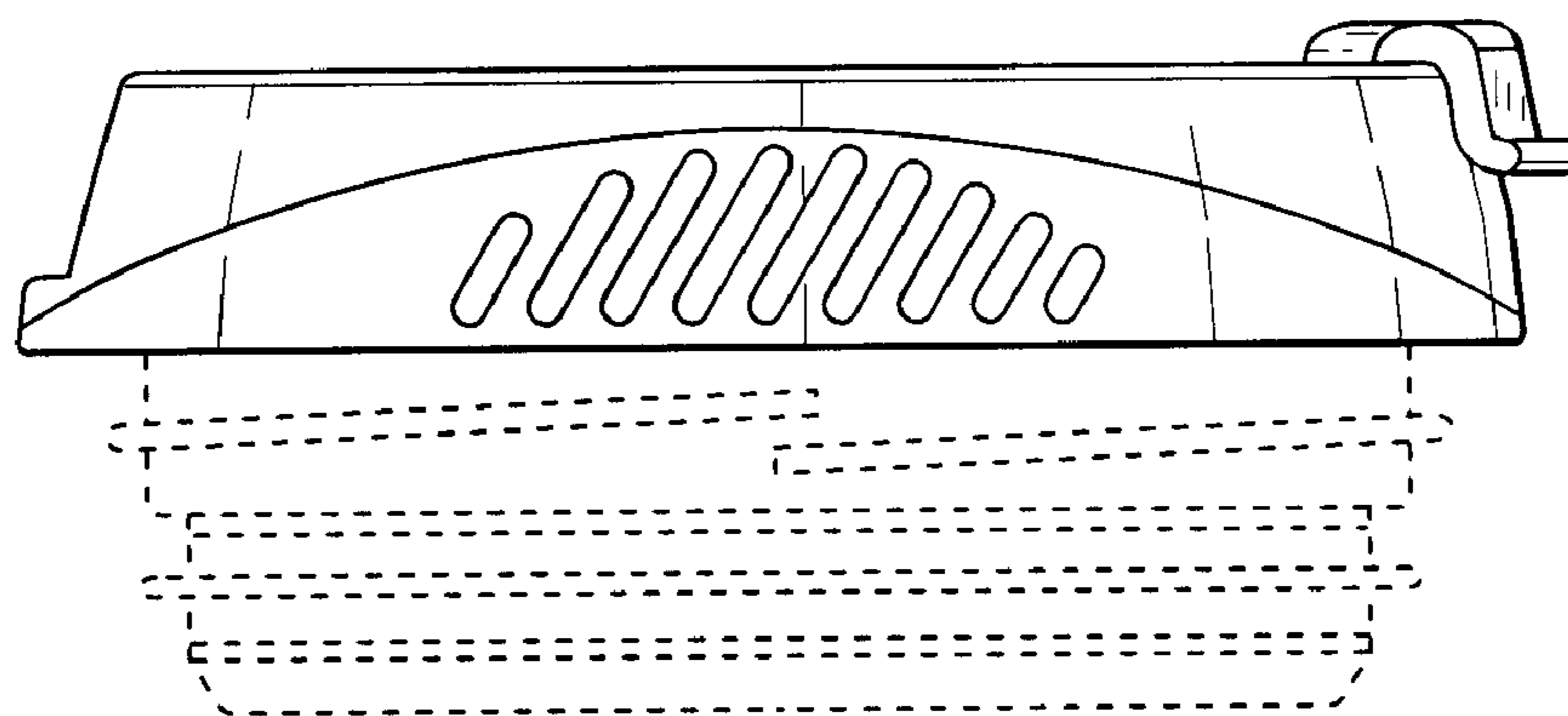


Fig. 4

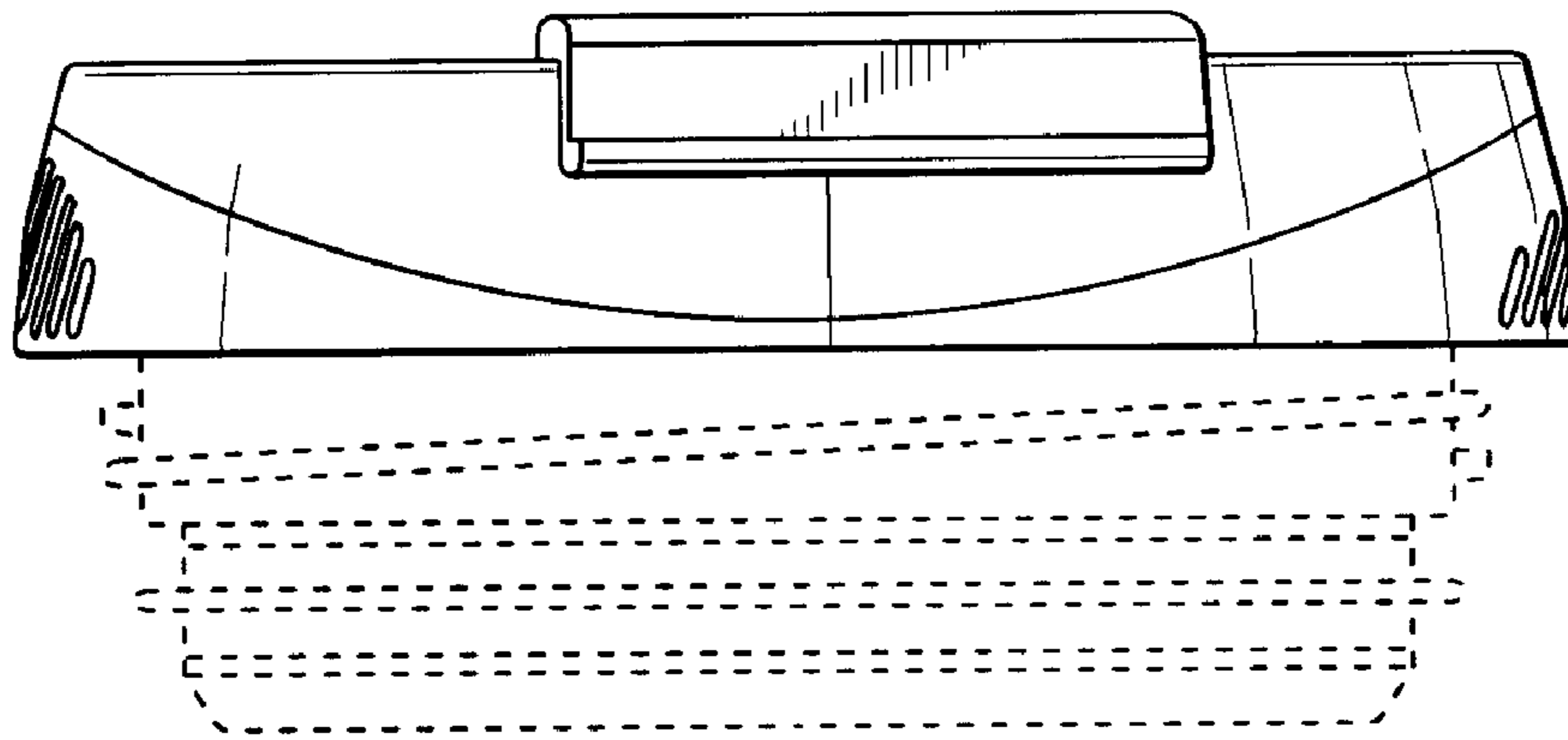


Fig. 5

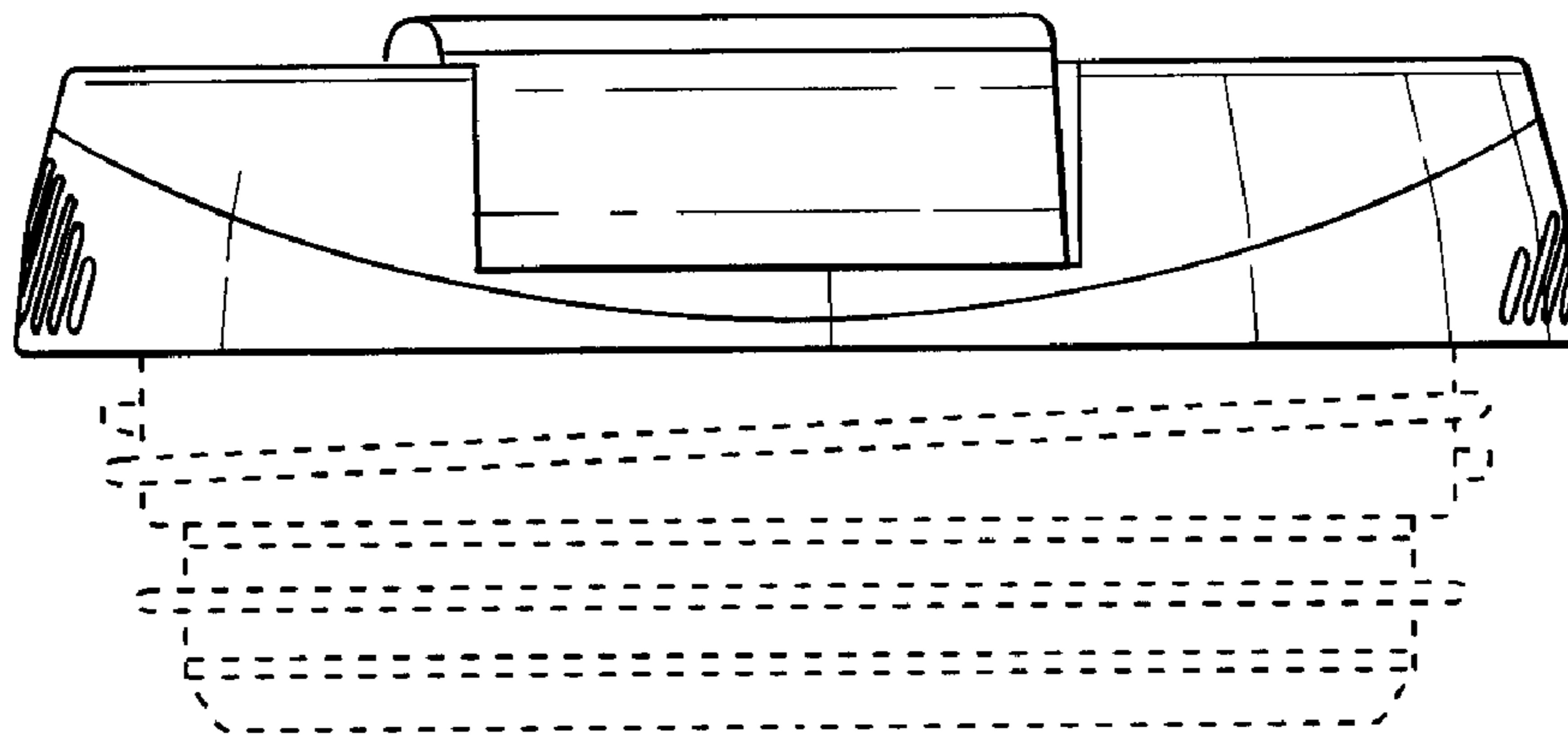


Fig. 6

