

US00D504795S

(12) **United States Design Patent** (10) **Patent No.:** **US D504,795 S**  
**Schulte et al.** (45) **Date of Patent:** **\*\* May 10, 2005**

(54) **CAMPING STOVE**

(75) Inventors: **Clyde R. Schulte**, Wichita, KS (US);  
**Mitchell L. Wilgus**, Andover, KS (US)

(73) Assignee: **The Coleman Company, Inc.**, Wichita,  
KS (US)

(\*\*) Term: **14 Years**

(21) Appl. No.: **29/192,053**

(22) Filed: **Oct. 17, 2003**

(51) **LOC (7) Cl.** ..... **07-02**

(52) **U.S. Cl.** ..... **D7/337**

(58) **Field of Search** ..... D7/332-337, 402-405,  
D7/393, 346-347, 339-340, 387; 126/25 R,  
41 R, 37 R, 40, 9 R, 9 A, 9 B; 99/150,  
419, 422; D8/300, 303, 306-307, 310-312,  
315-317, 319-320

(56) **References Cited**

**U.S. PATENT DOCUMENTS**

D245,220 S	*	8/1977	Chan	.....	D7/337
D251,893 S	*	5/1979	Chan	.....	D7/337
D251,894 S	*	5/1979	Chan	.....	D7/337
D253,218 S		10/1979	Johnson		
D276,303 S	*	11/1984	Chan	.....	D7/337
D291,399 S	*	8/1987	Chan	.....	D7/337
D334,108 S		3/1993	Fisher		
D347,548 S		6/1994	Boehm et al.		
D384,546 S		10/1997	Lin		
5,782,230 A		7/1998	Linnebur et al.		
D406,722 S	*	3/1999	Benton et al.	.....	D7/362
D407,598 S		4/1999	Deni et al.		
D412,808 S		8/1999	Hinton et al.		
D427,480 S		7/2000	Brady		
D450,976 S	*	11/2001	Mosher	.....	D7/337
D455,041 S		4/2002	Smith		
D464,843 S	*	10/2002	Schulte et al.	.....	D7/337
D469,298 S	*	1/2003	Hinton et al.	.....	D7/332
D472,757 S	*	4/2003	Schulte et al.	.....	D7/334

\* cited by examiner

*Primary Examiner*—Ruth McInroy

(74) *Attorney, Agent, or Firm*—Leydig, Voit & Mayer, Ltd.

(57) **CLAIM**

The ornamental design for a camping stove, as shown and described.

**DESCRIPTION**

FIG. 1 is a top, right perspective view of a camping stove showing our new design;

FIG. 2 is a front view thereof;

FIG. 3 is a rear view thereof;

FIG. 4 is a right side view thereof;

FIG. 5 is a left side view thereof;

FIG. 6 is a top view thereof;

FIG. 7 is a bottom view thereof;

FIG. 8 is a top, right perspective view of a second embodiment thereof;

FIG. 9 is a front view thereof;

FIG. 10 is a rear view thereof;

FIG. 11 is a right side view thereof;

FIG. 12 is a left side view thereof;

FIG. 13 is a top view thereof;

FIG. 14 is a bottom view thereof;

FIG. 15 is a top, right perspective view of a third embodiment thereof;

FIG. 16 is a front view thereof;

FIG. 17 is a rear view thereof;

FIG. 18 is a right side view thereof;

FIG. 19 is a left side view thereof;

FIG. 20 is a top view thereof;

FIG. 21 is a bottom view thereof;

FIG. 22 is a top, right perspective view of a fourth thereof;

FIG. 23 is a front view thereof;

FIG. 24 is a rear view thereof;

FIG. 25 is a right side view thereof;

FIG. 26 is a left side view thereof;

FIG. 27 is a top view thereof; and,

FIG. 28 is a bottom view thereof.

The details shown in broken lines form no part of the claimed design.

**1 Claim, 24 Drawing Sheets**

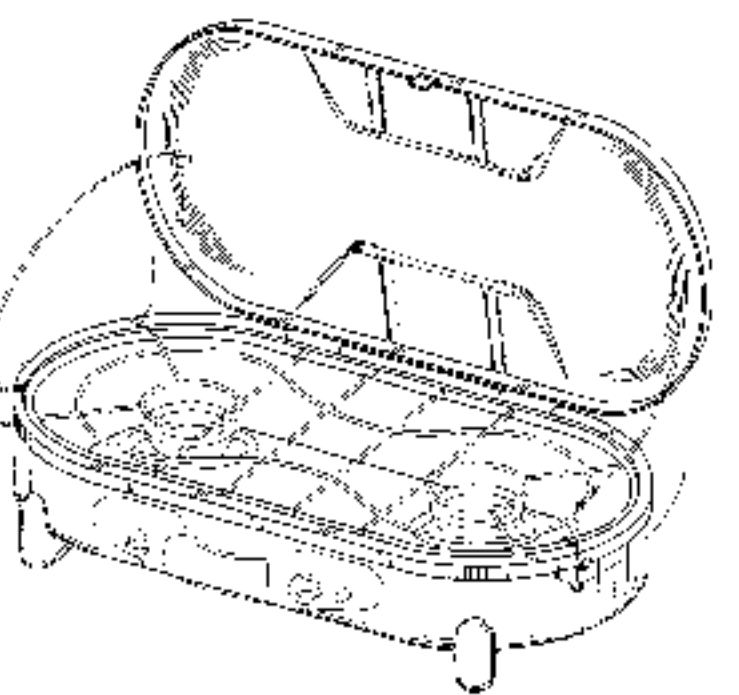
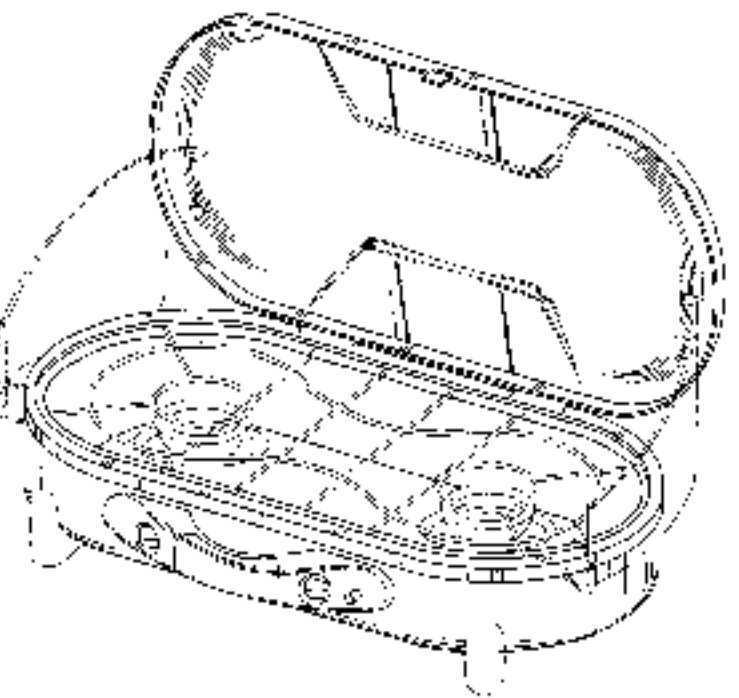
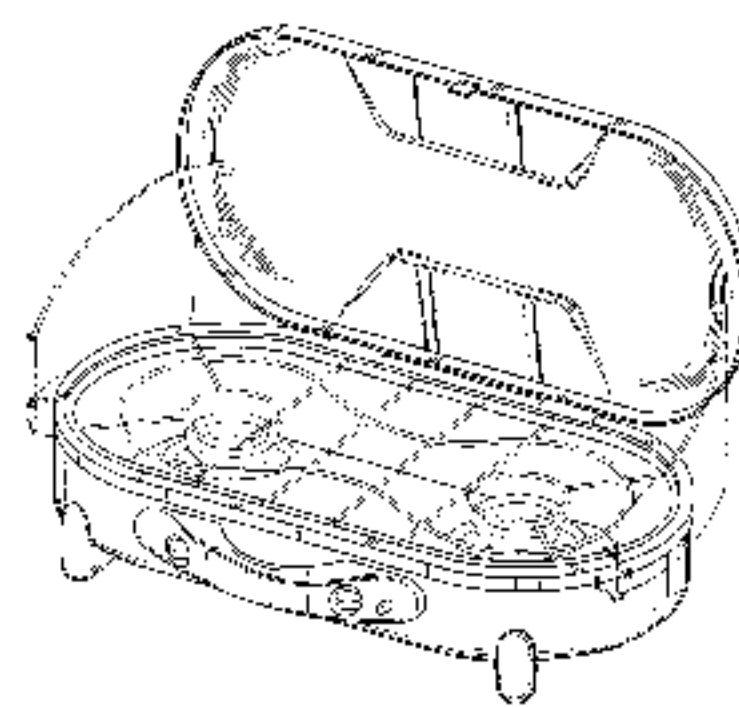


FIG. 1

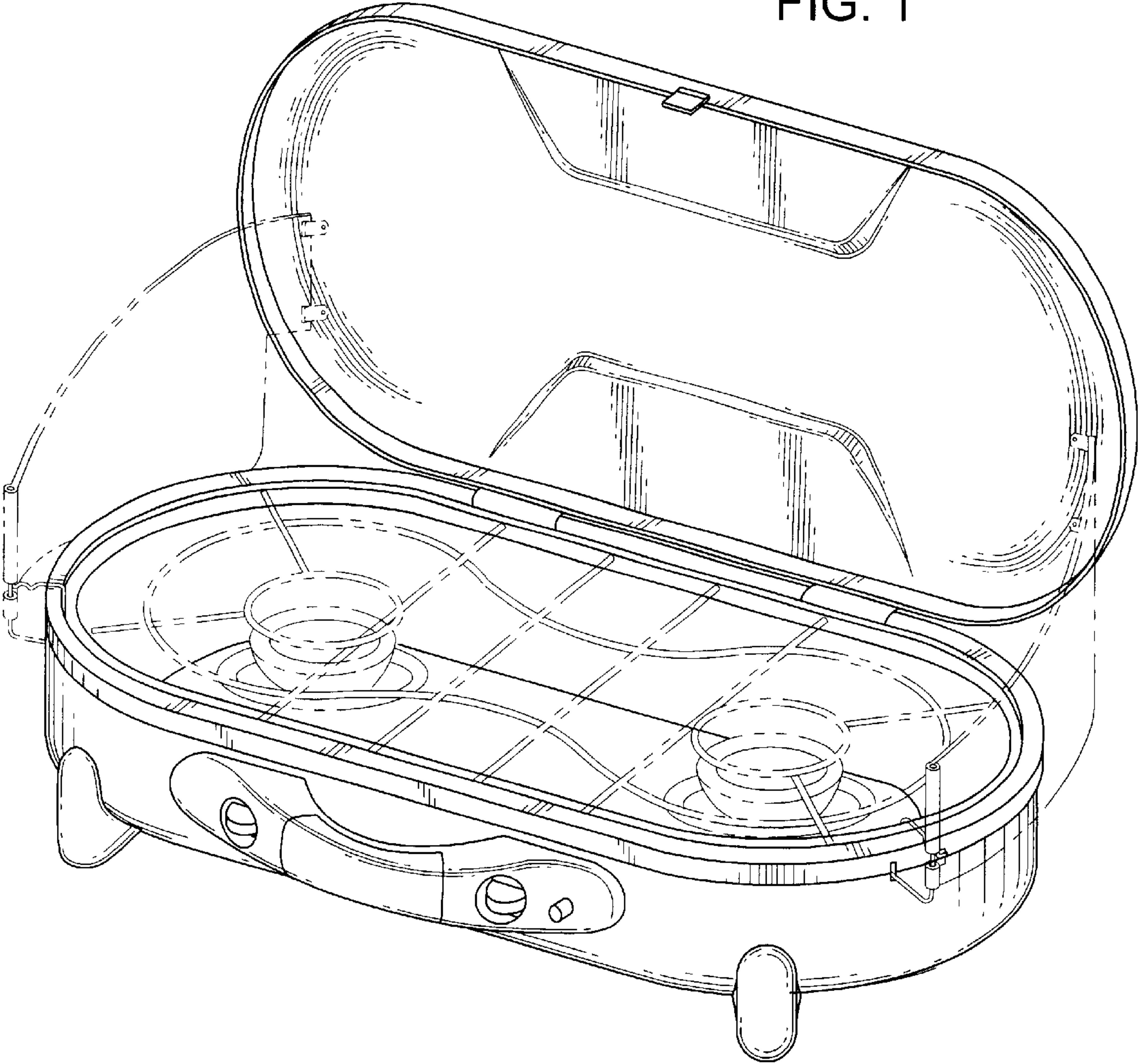


FIG. 2

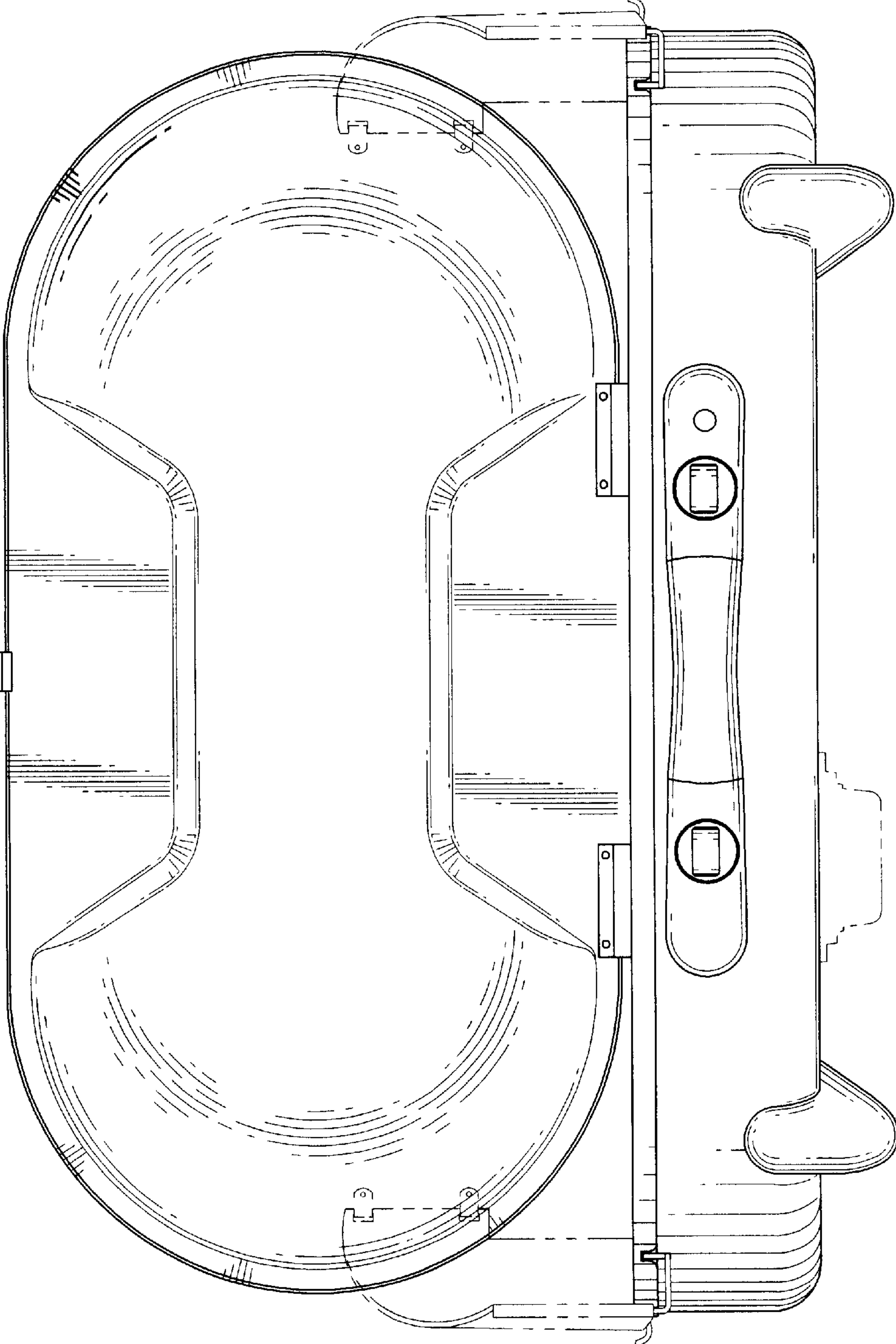
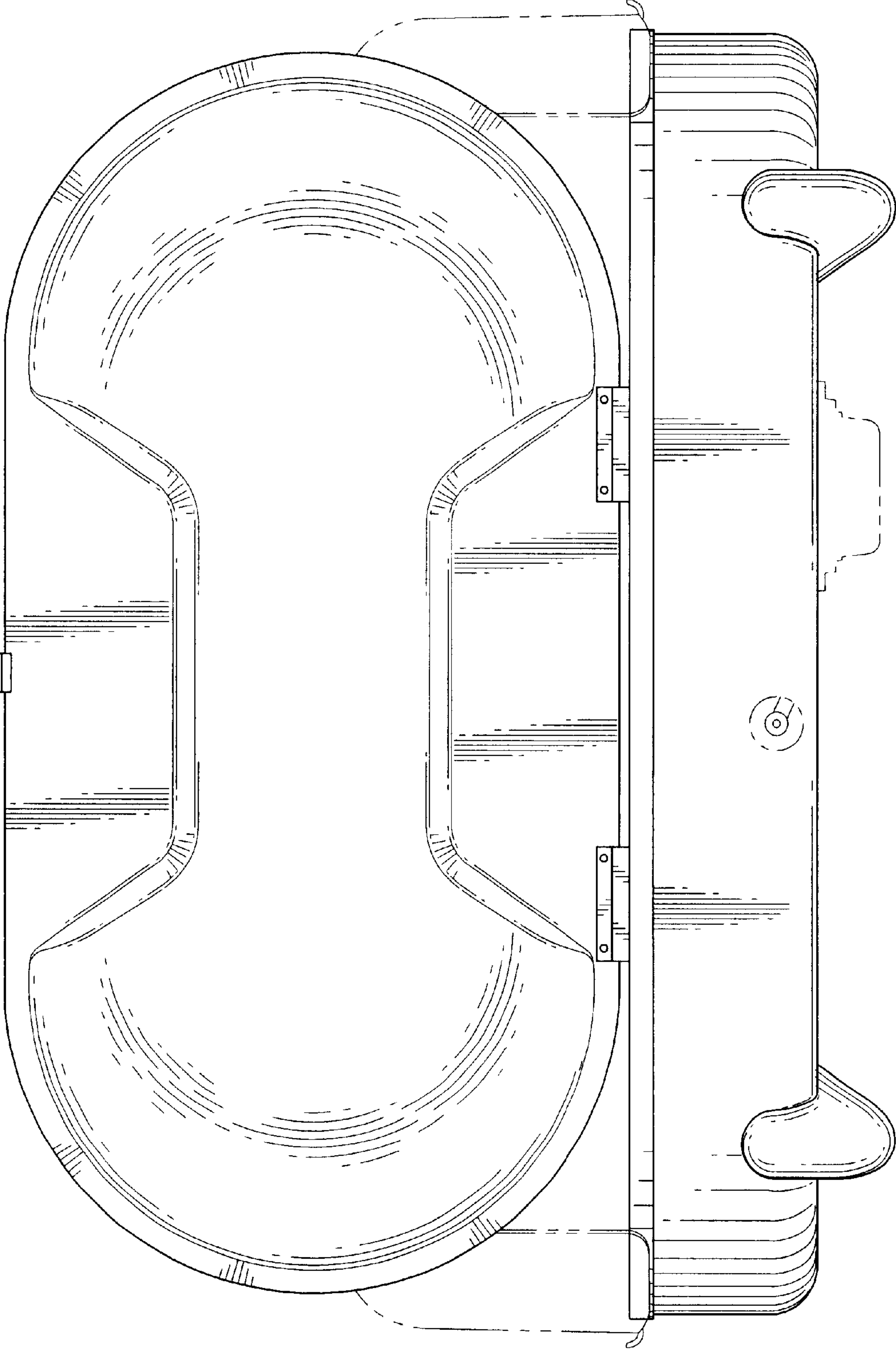




FIG. 3



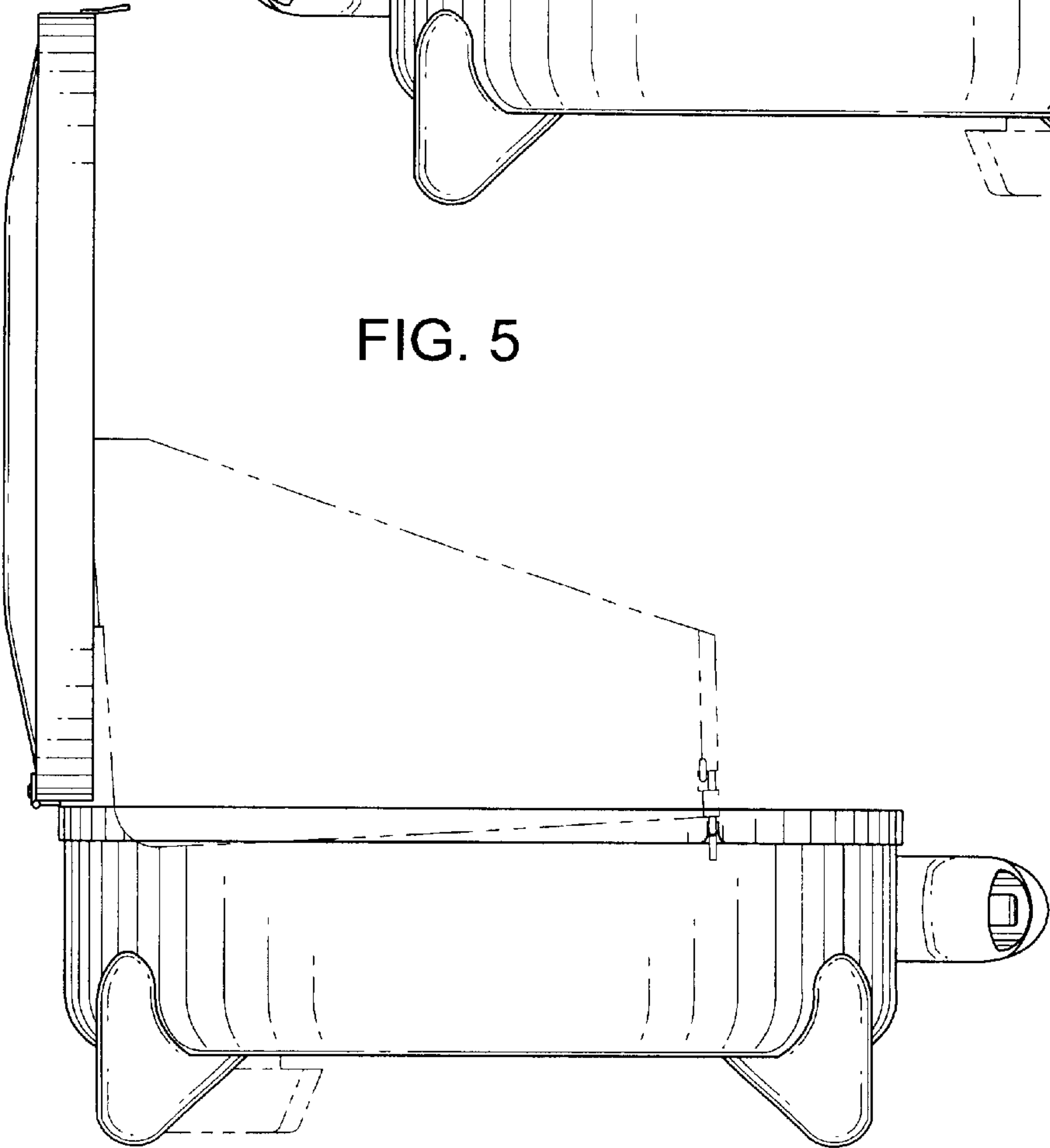
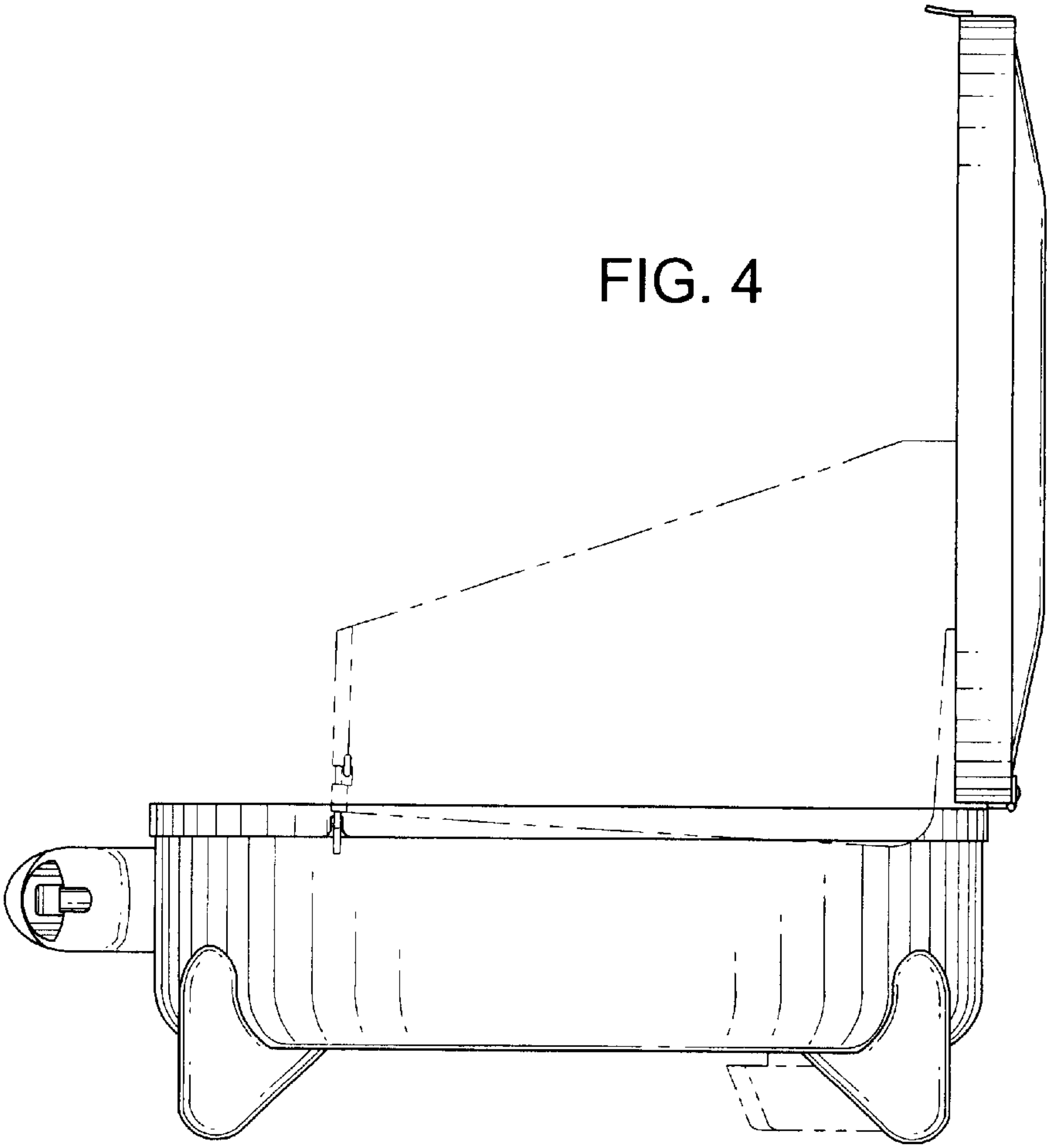
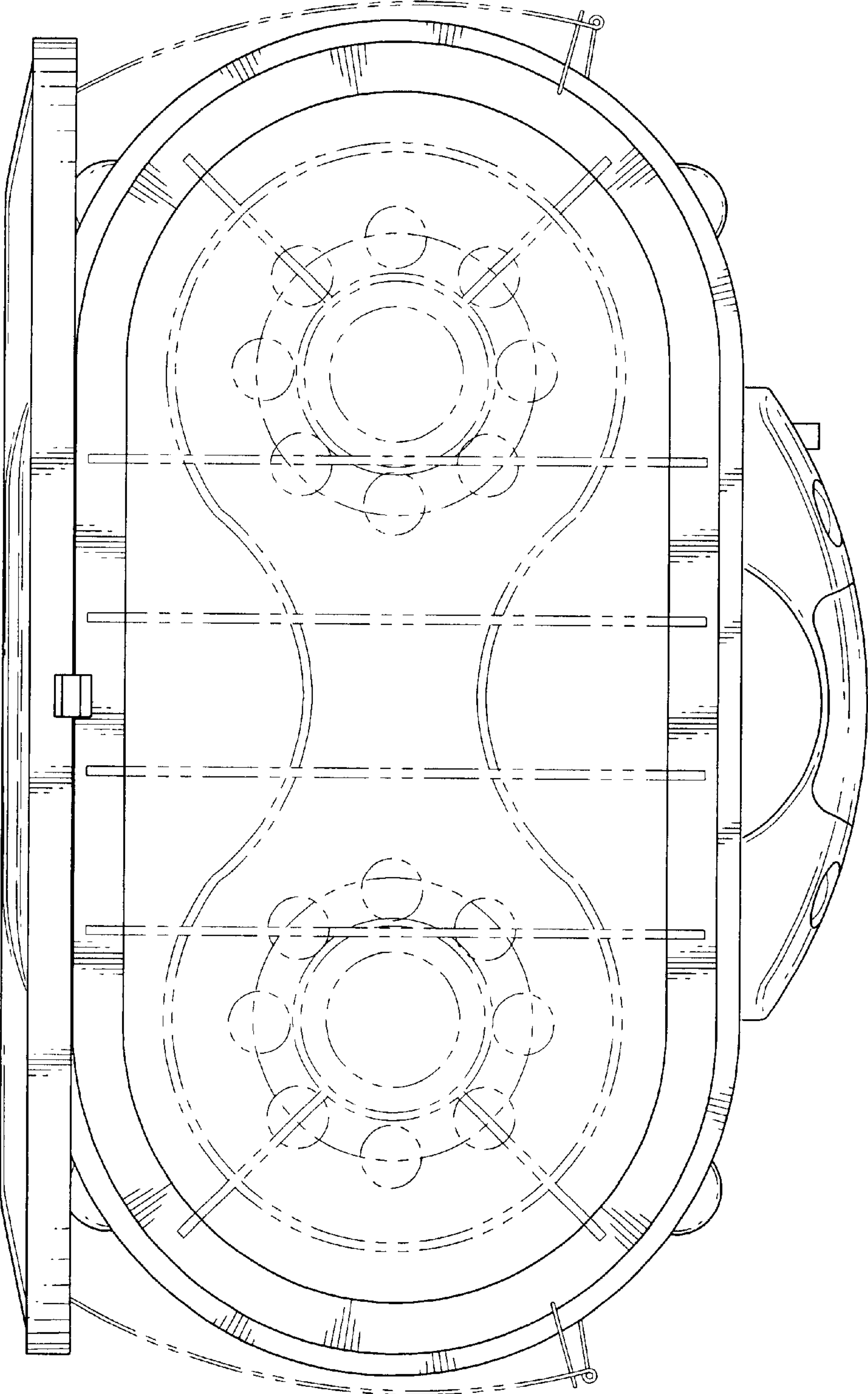


FIG. 6



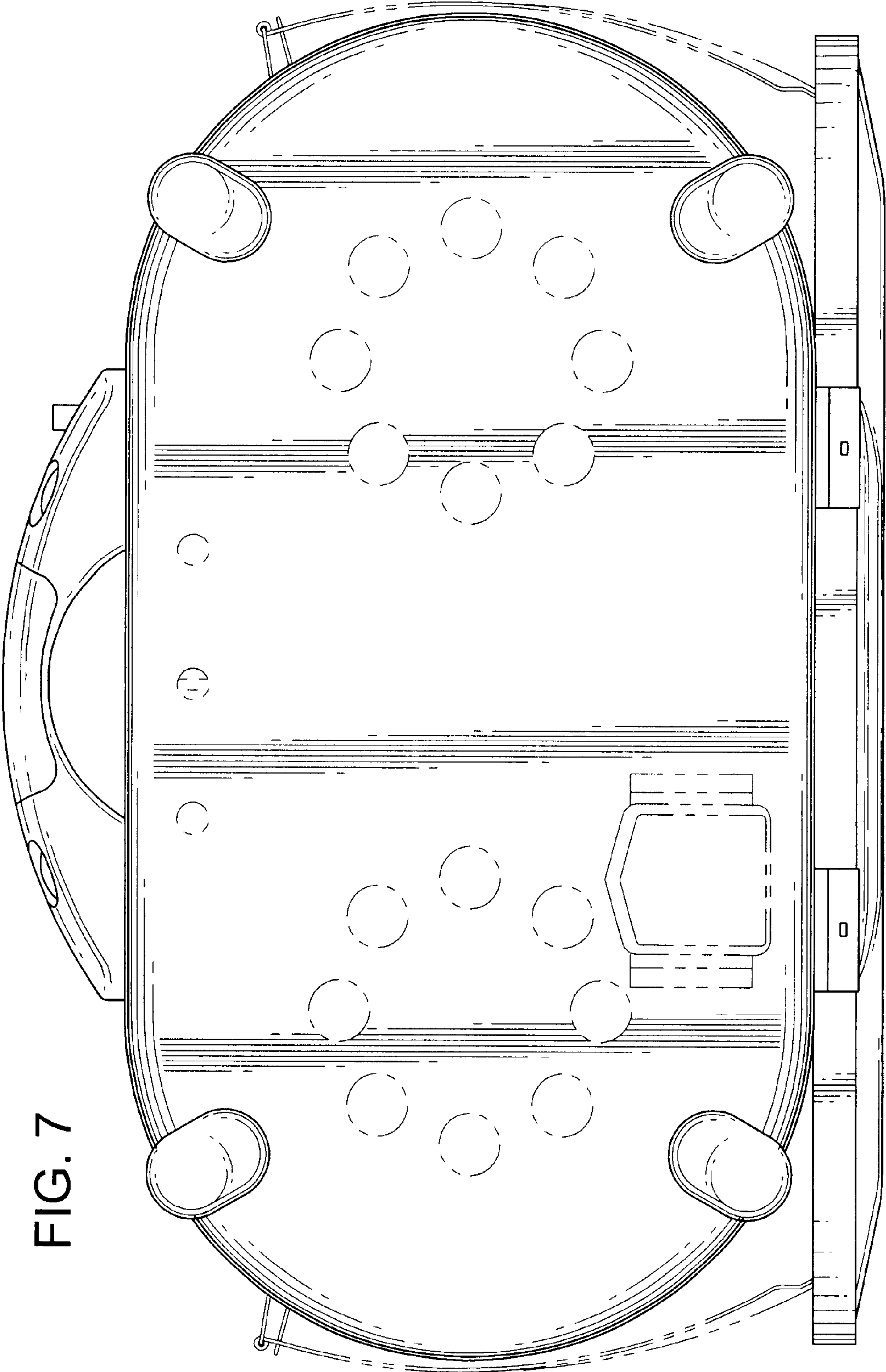


FIG. 7



FIG. 8

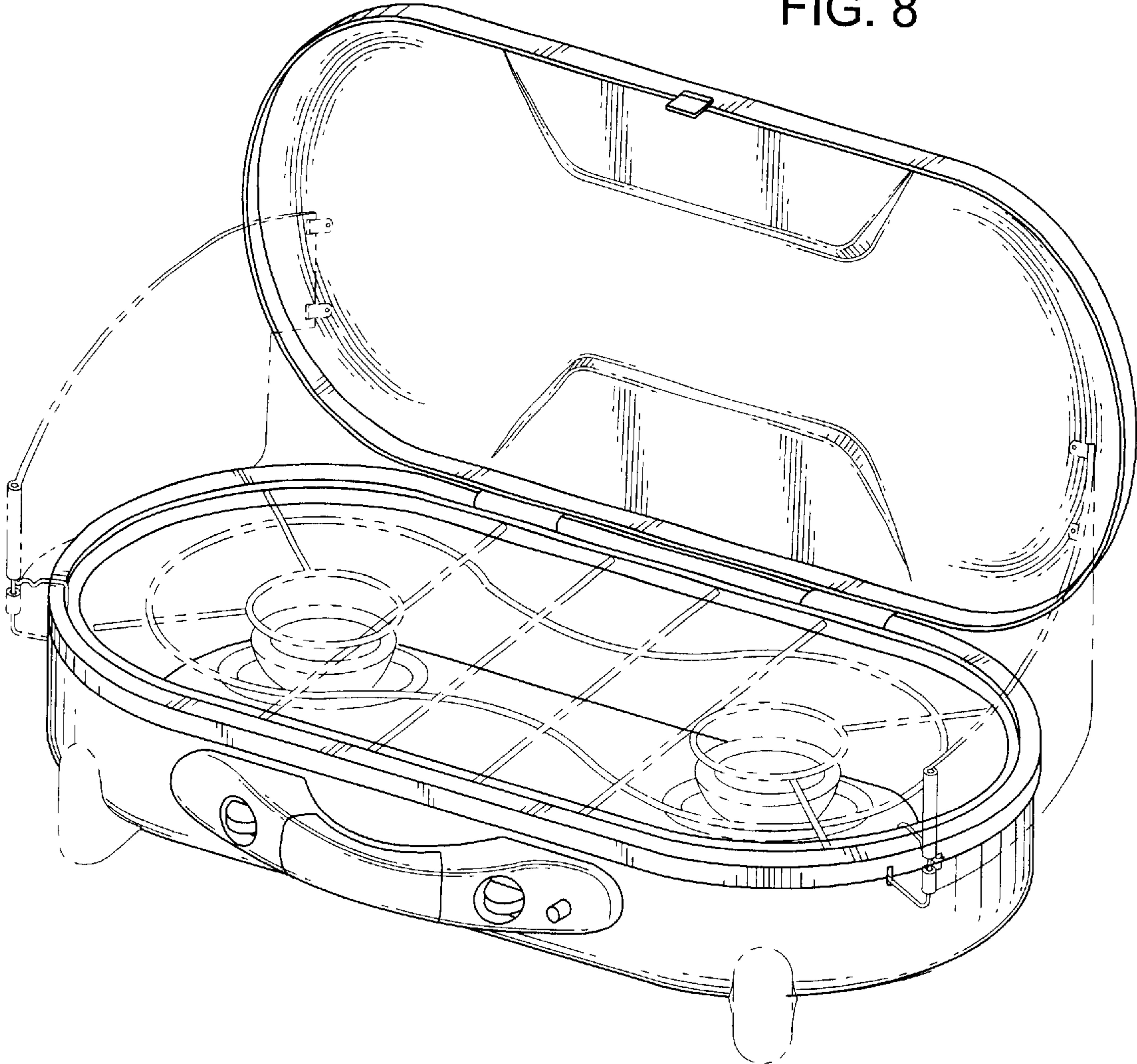




FIG. 9

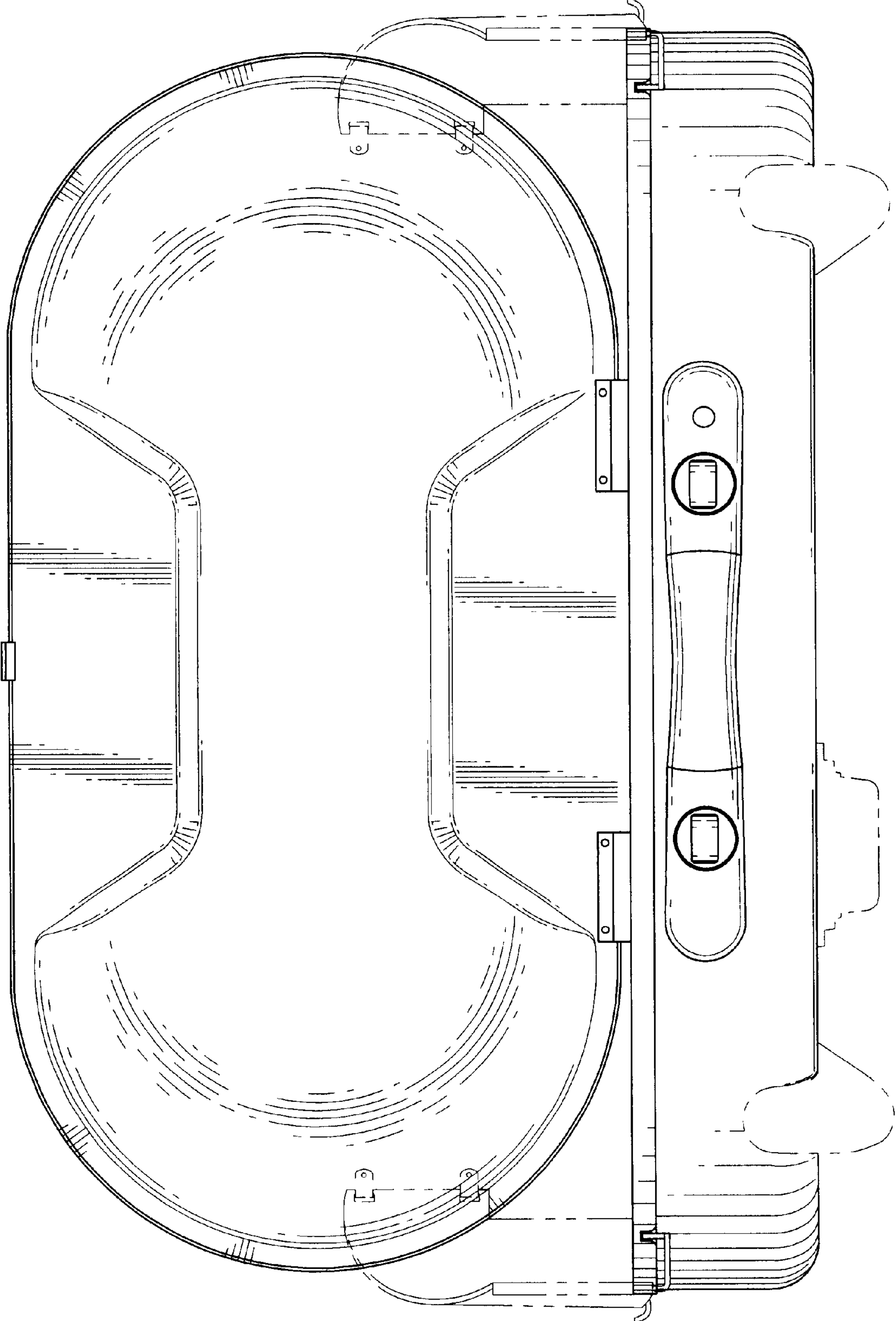


FIG. 10

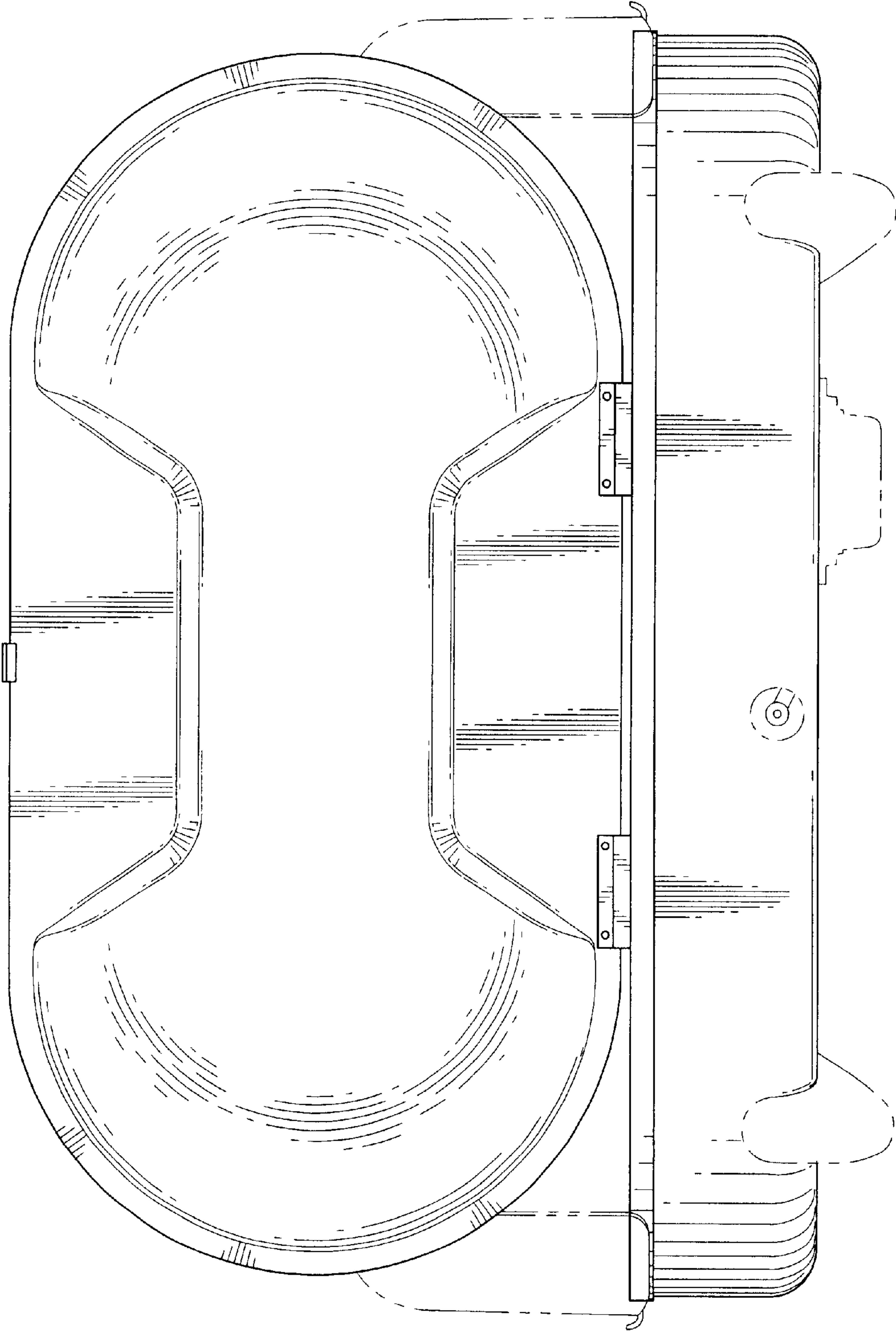


FIG. 11

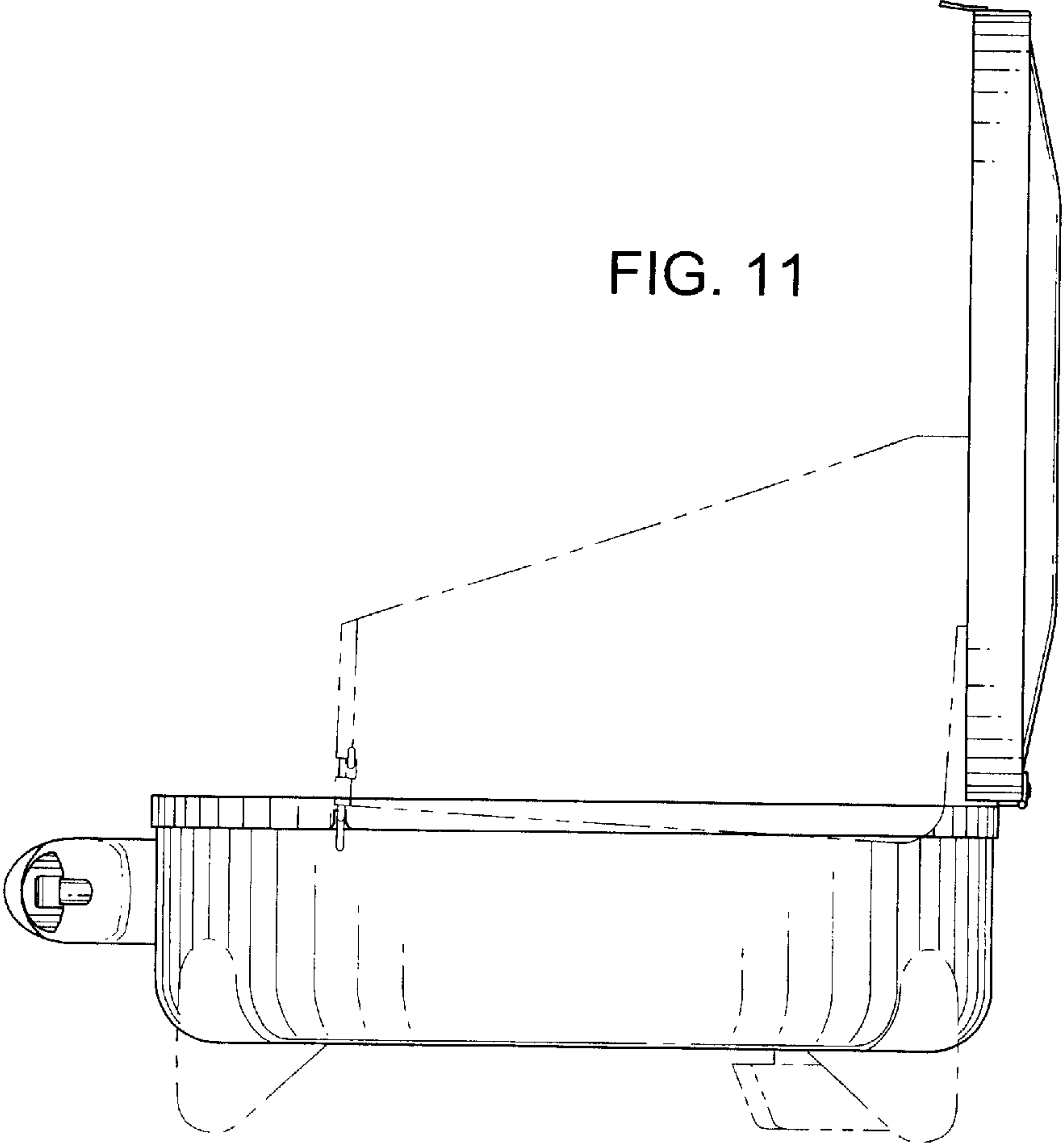


FIG. 12

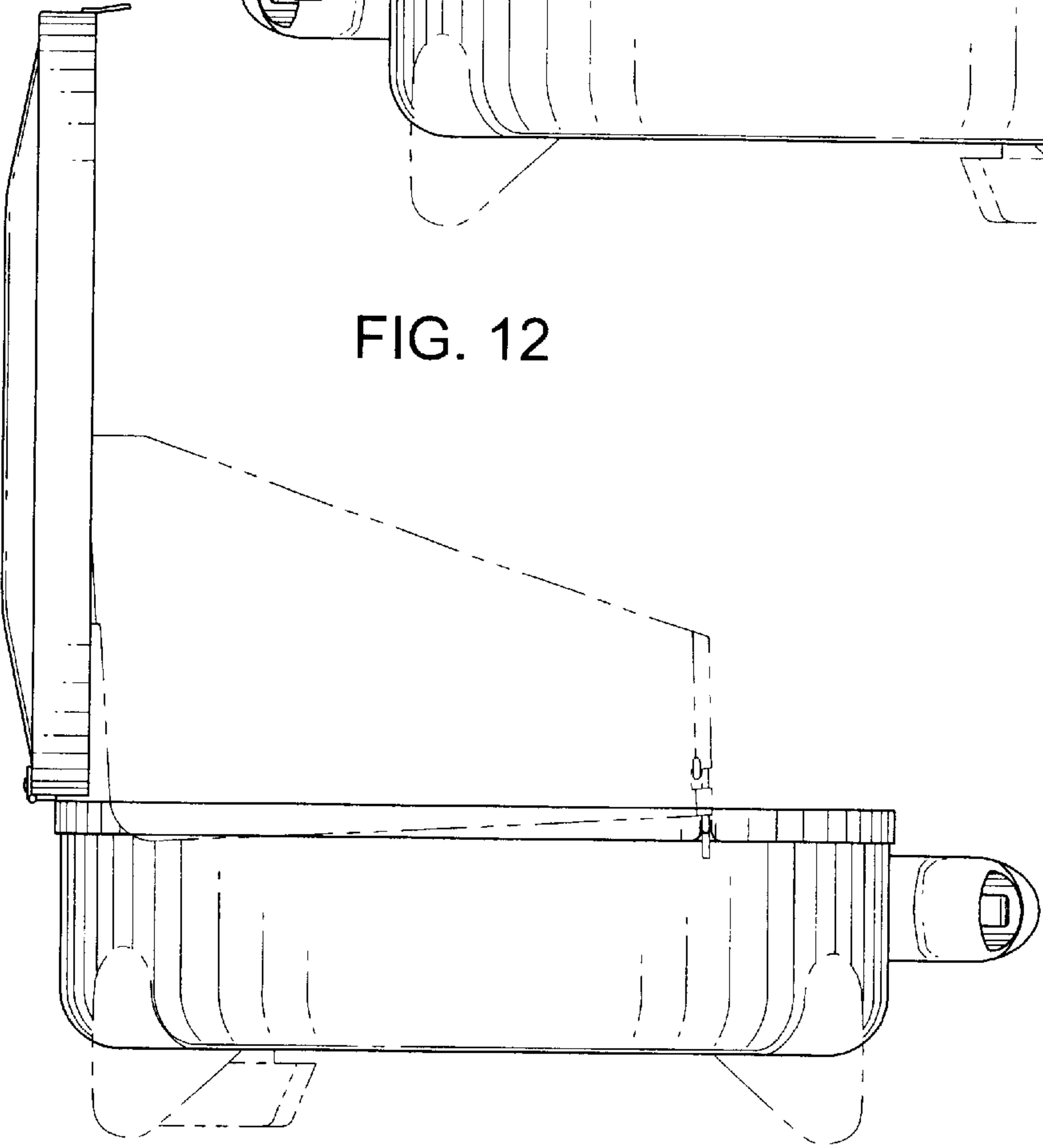
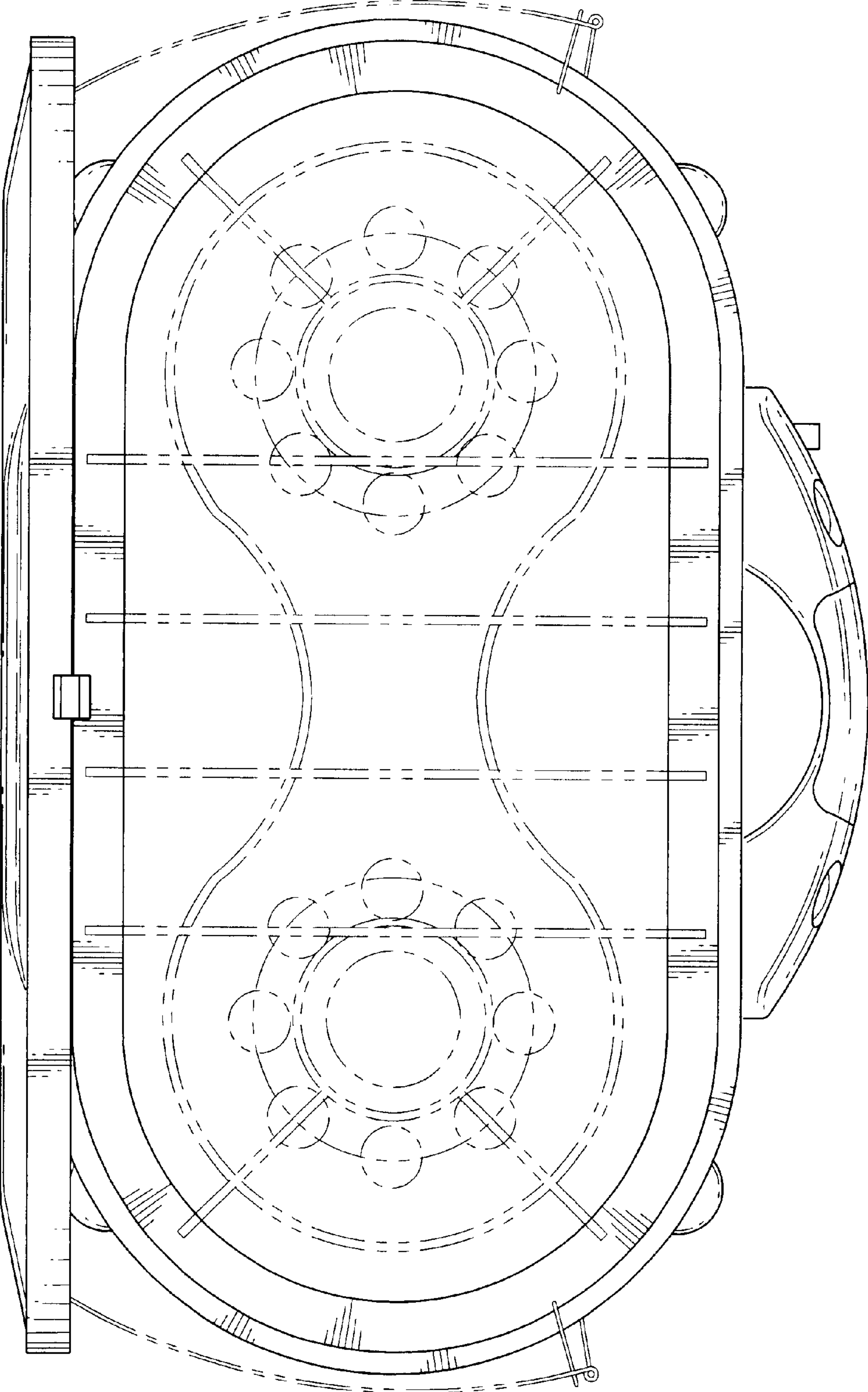


FIG. 13





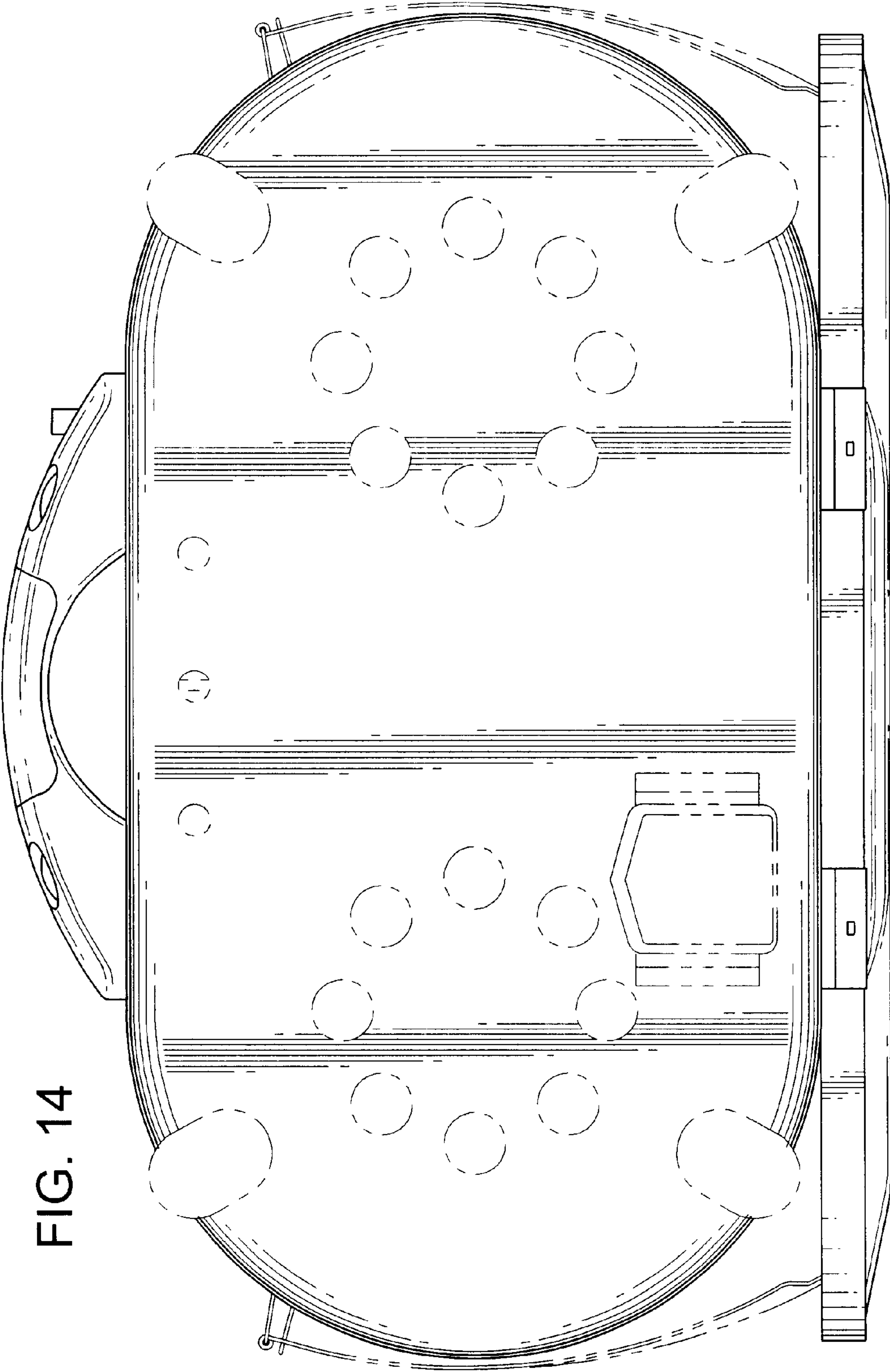


FIG. 14

FIG. 15

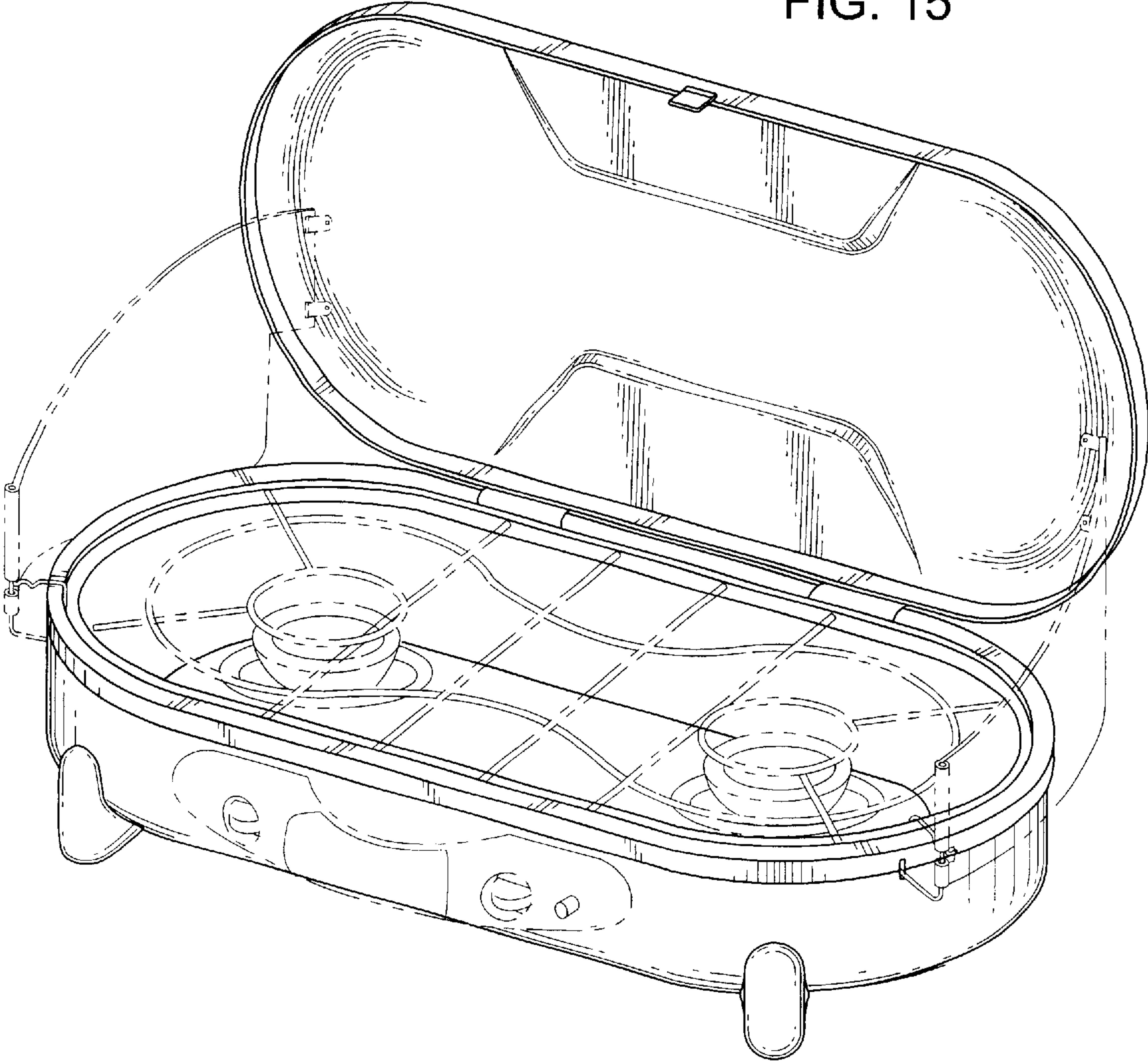


FIG. 16

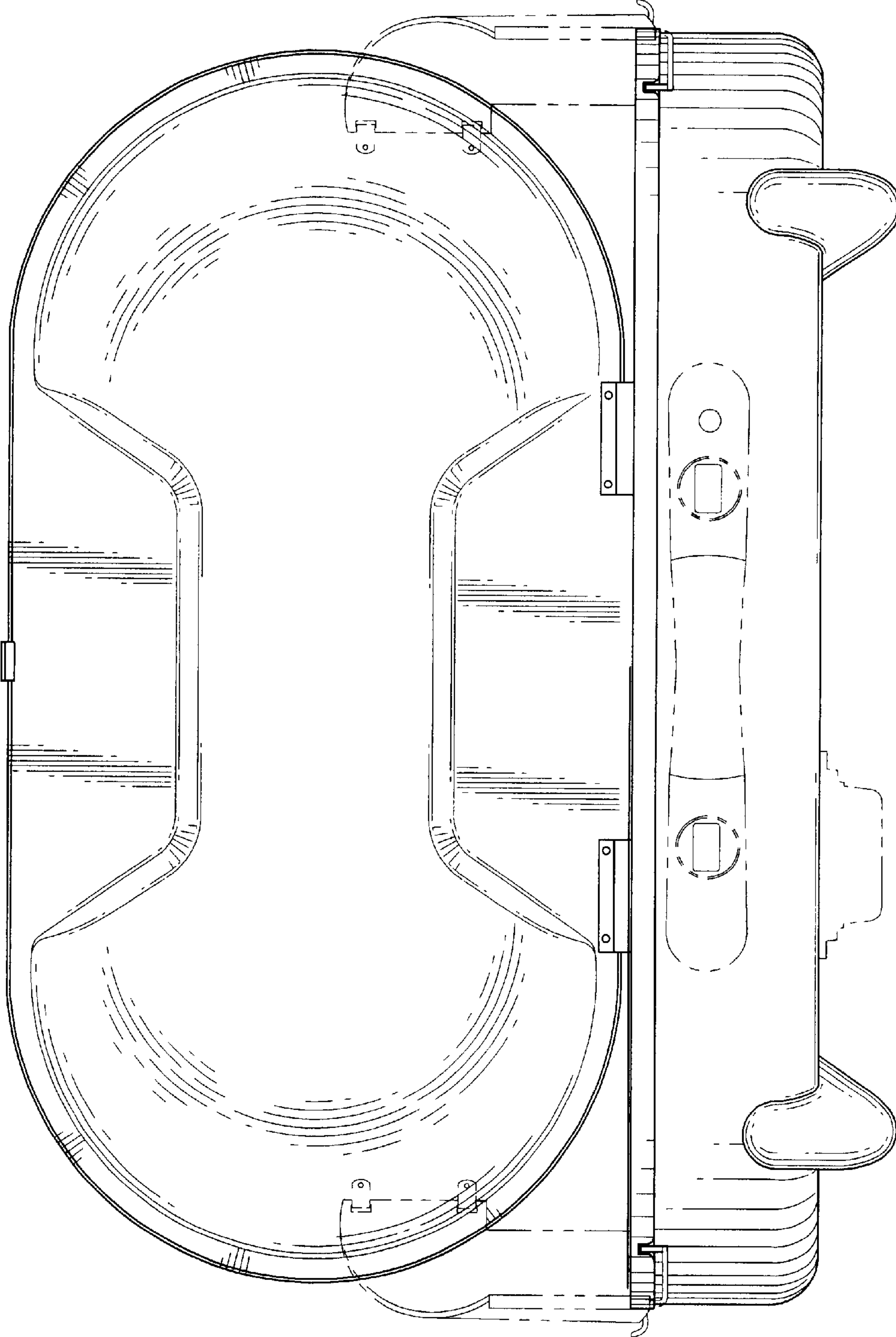


FIG. 17

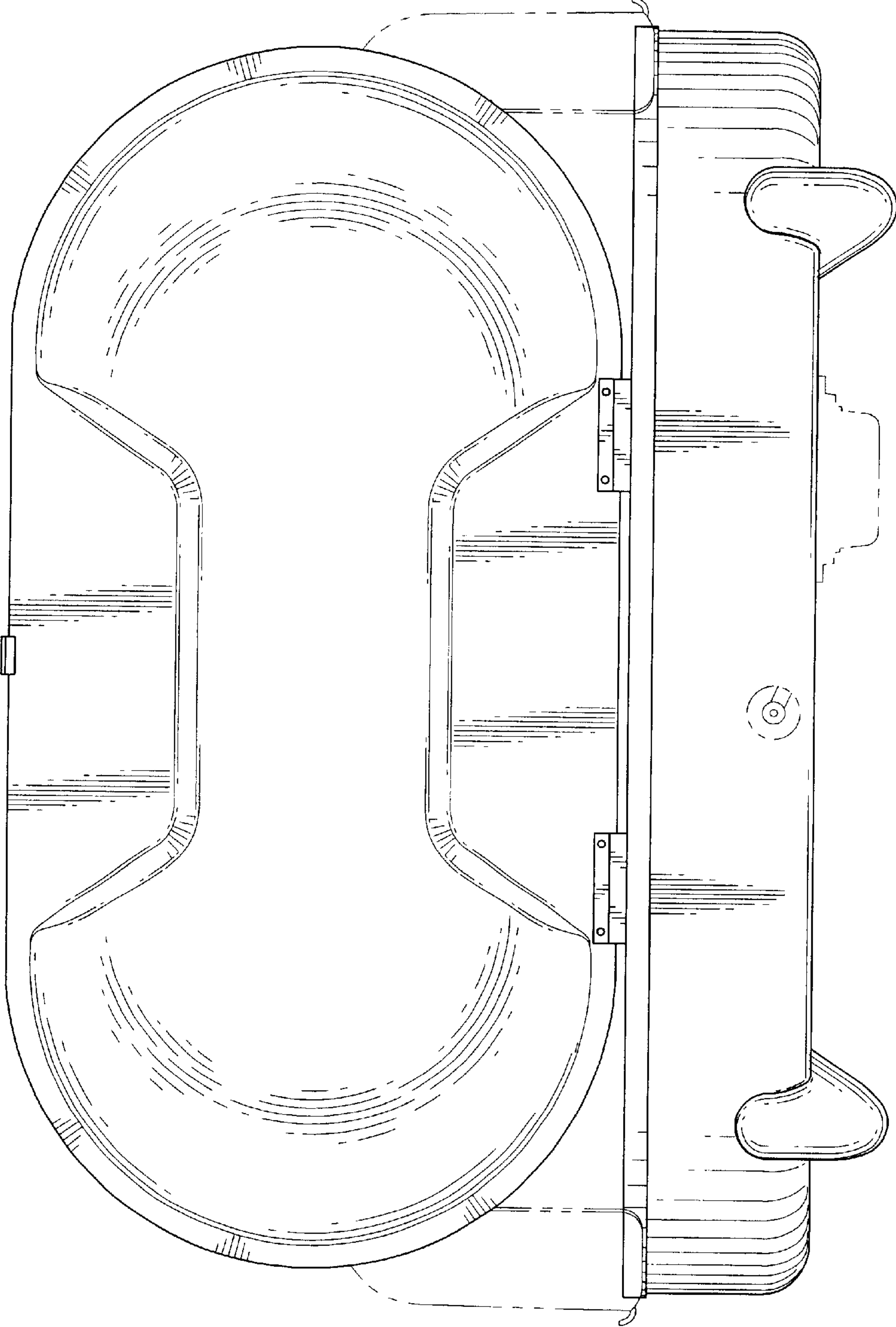




FIG. 18

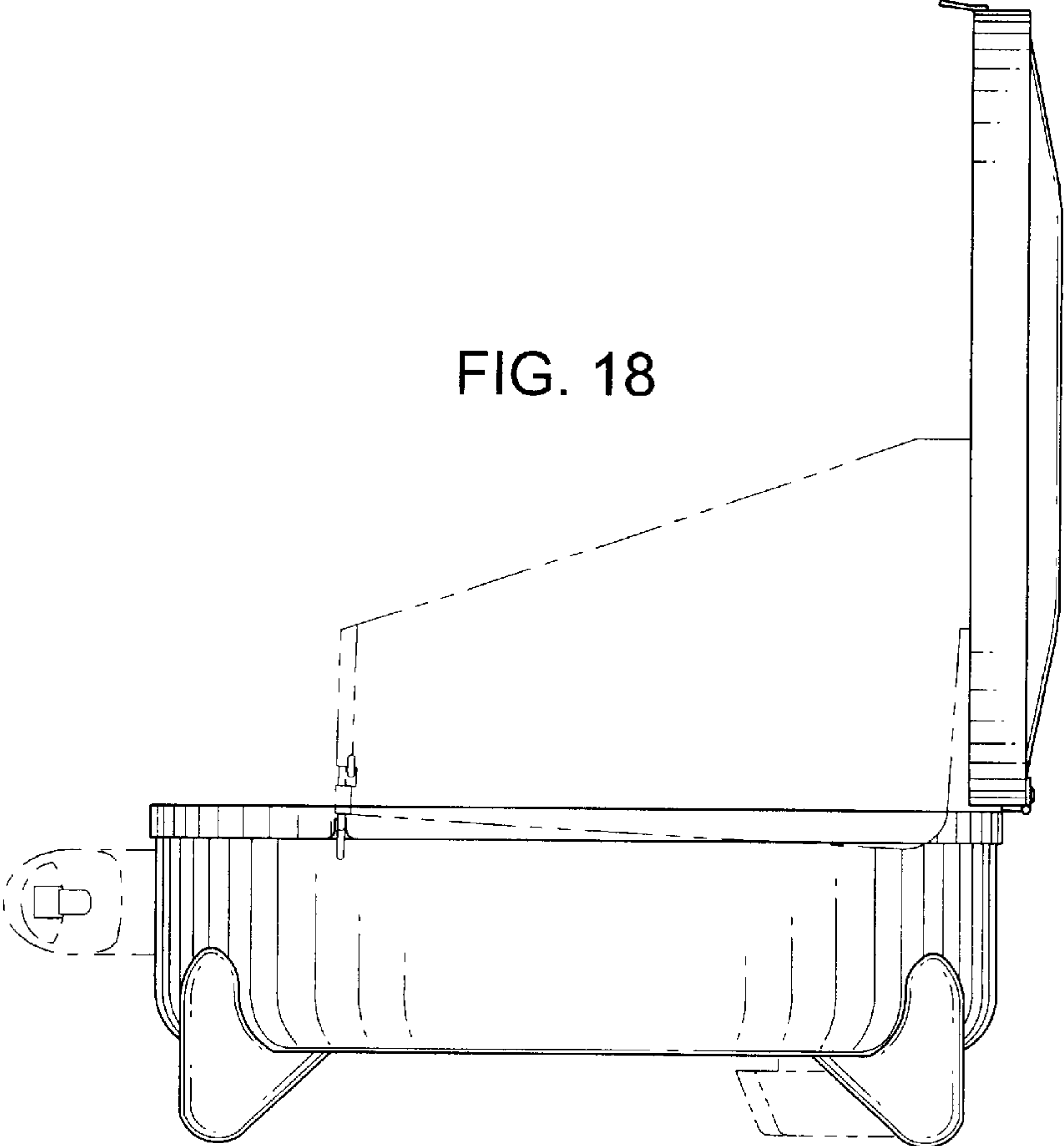


FIG. 19

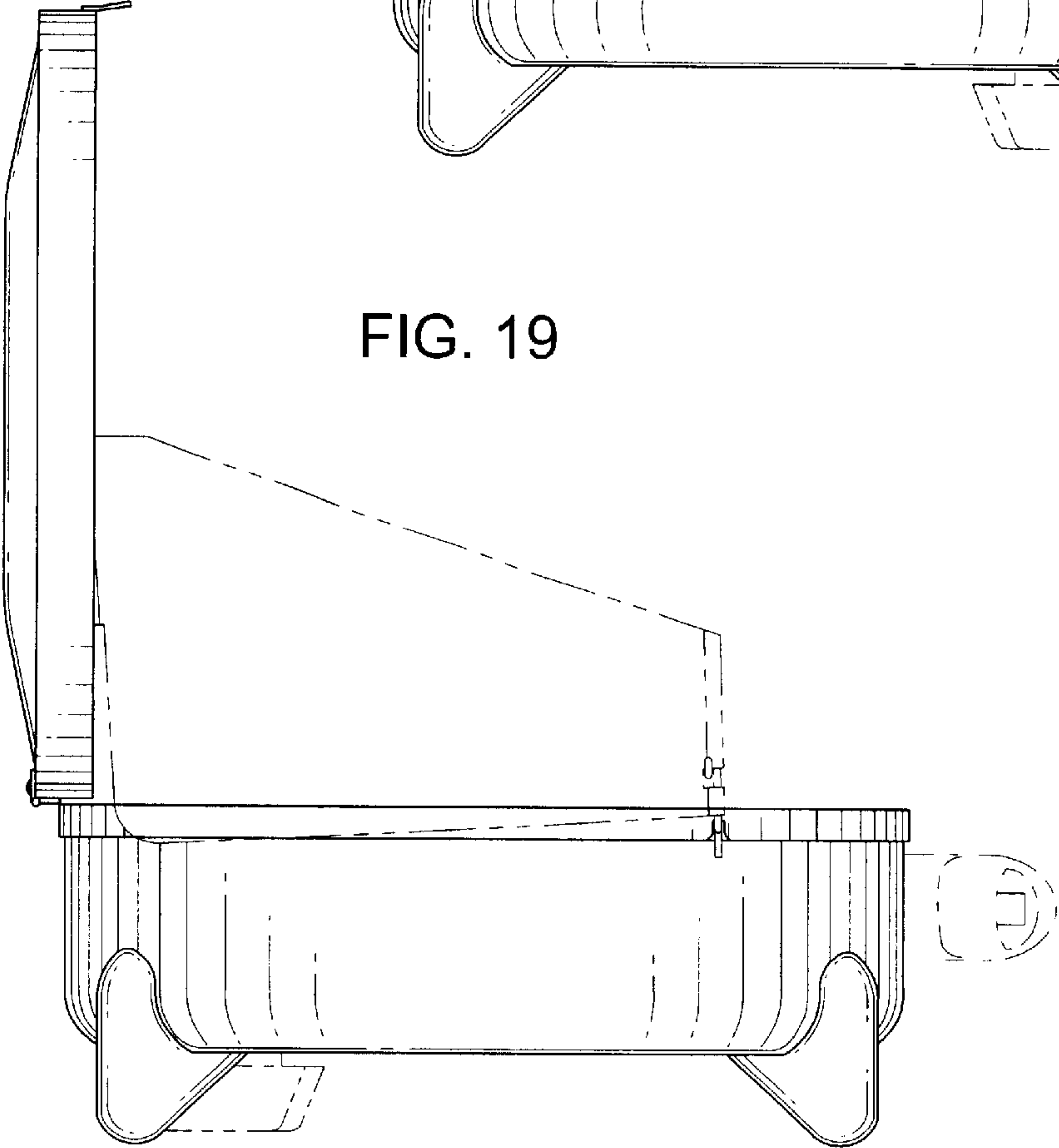
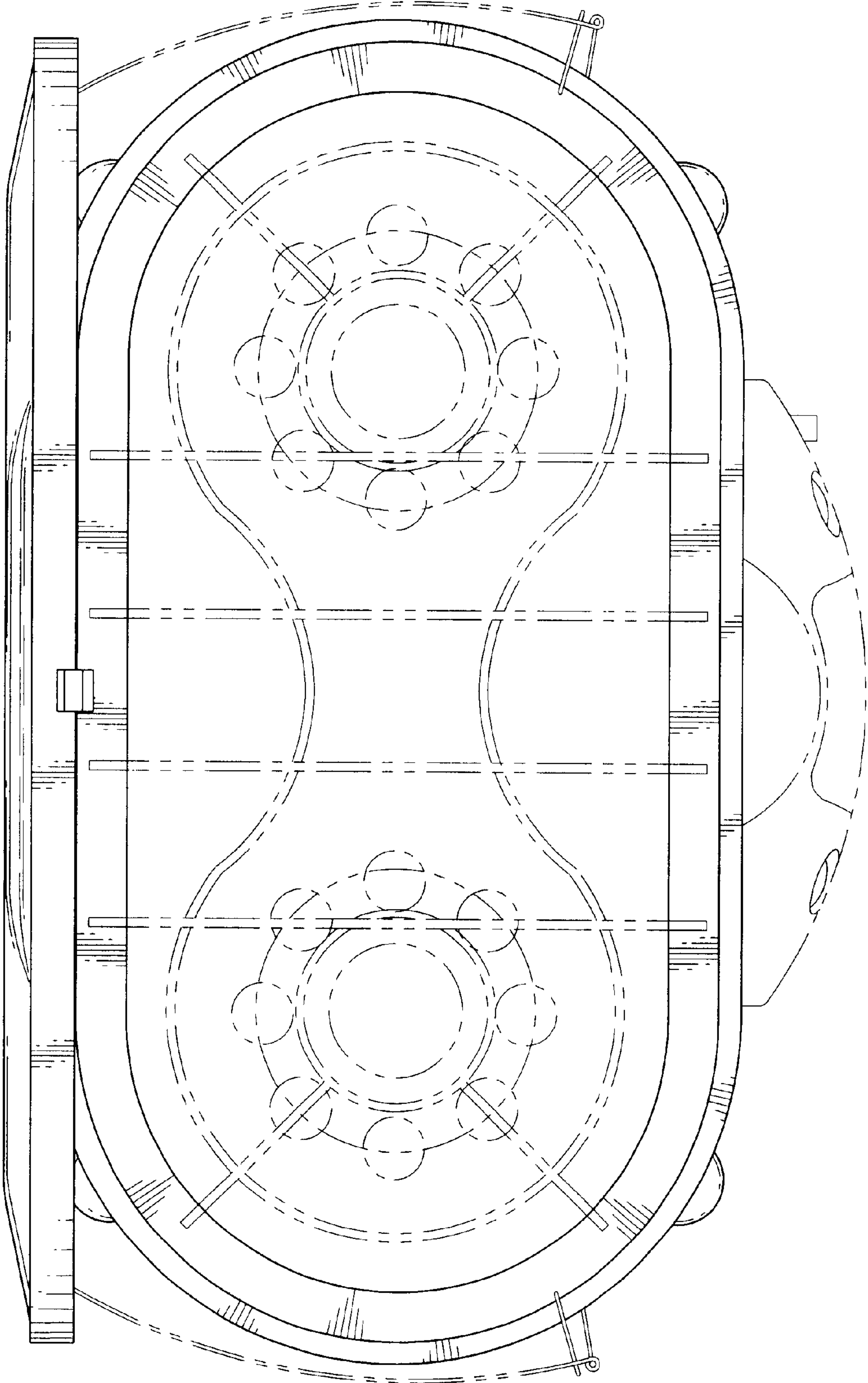


FIG. 20



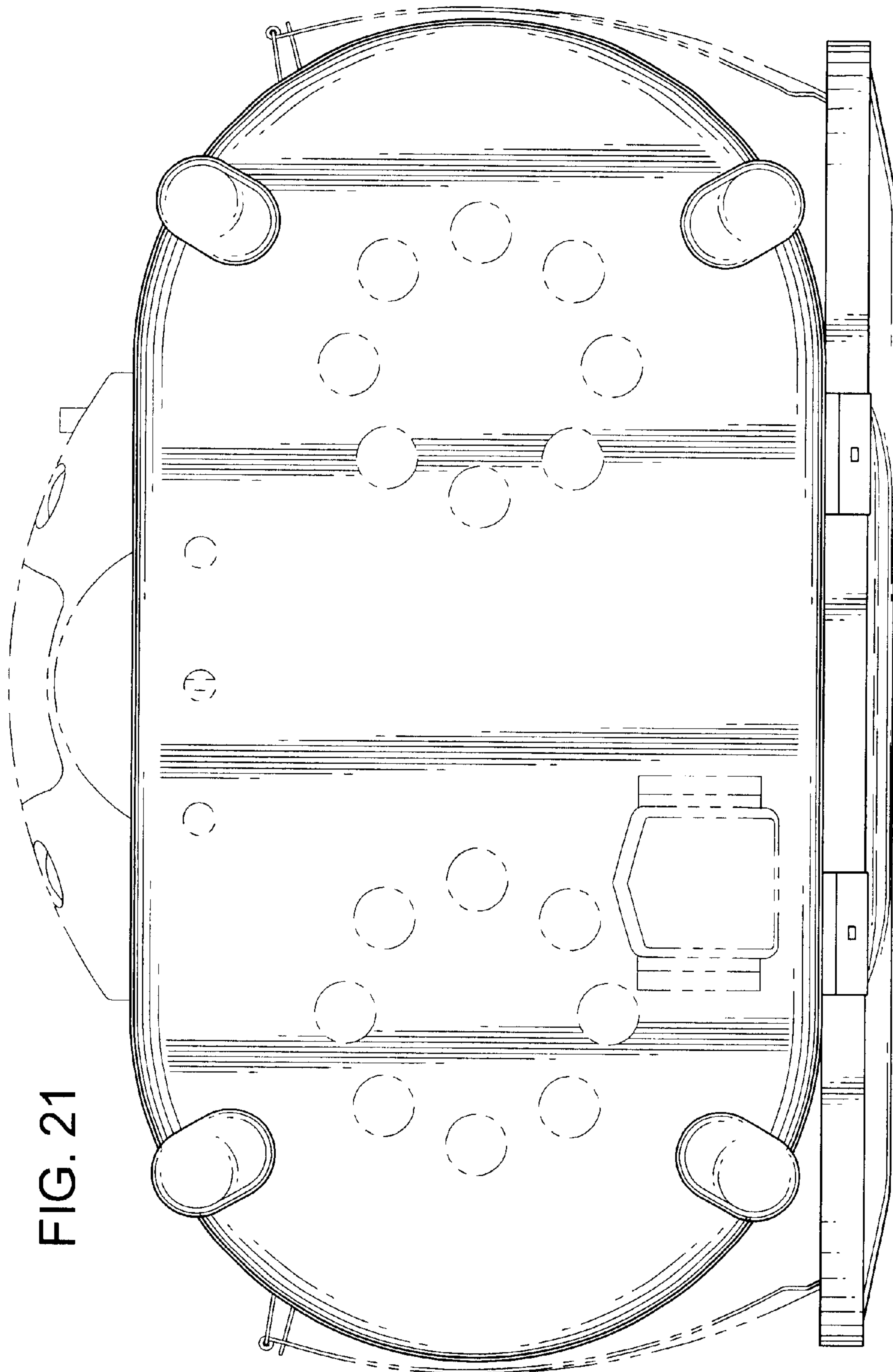


FIG. 21

FIG. 22

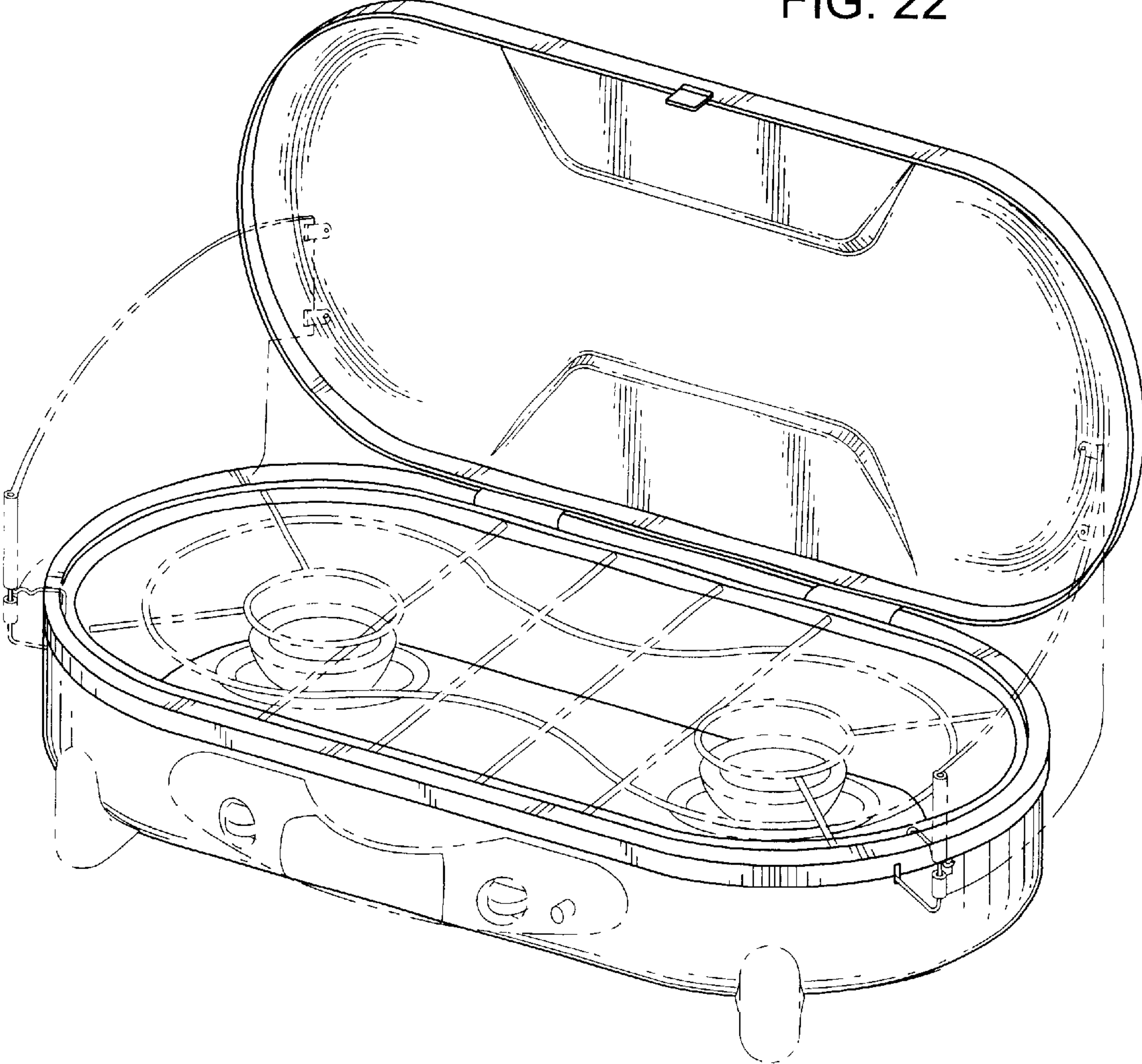




FIG. 23

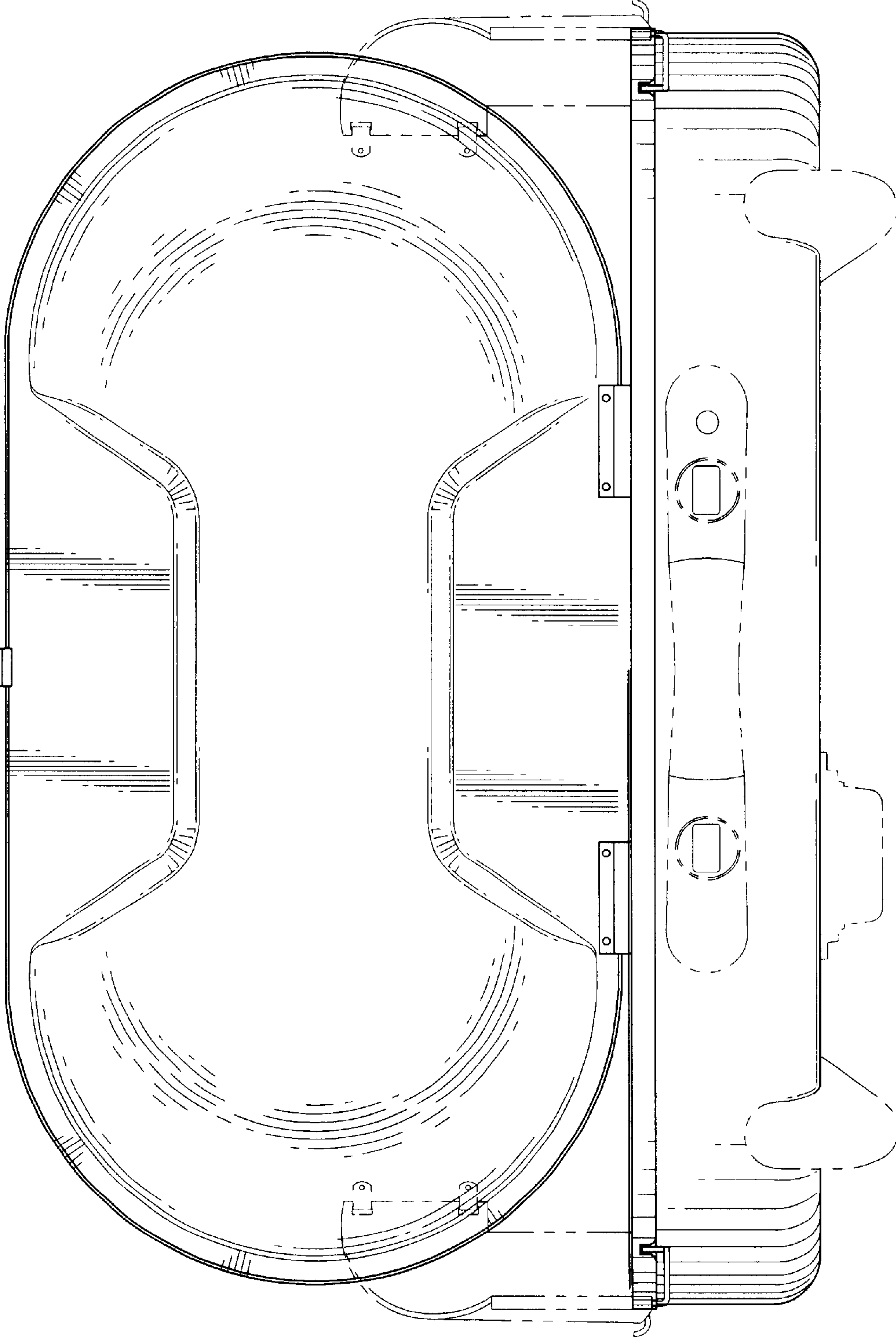
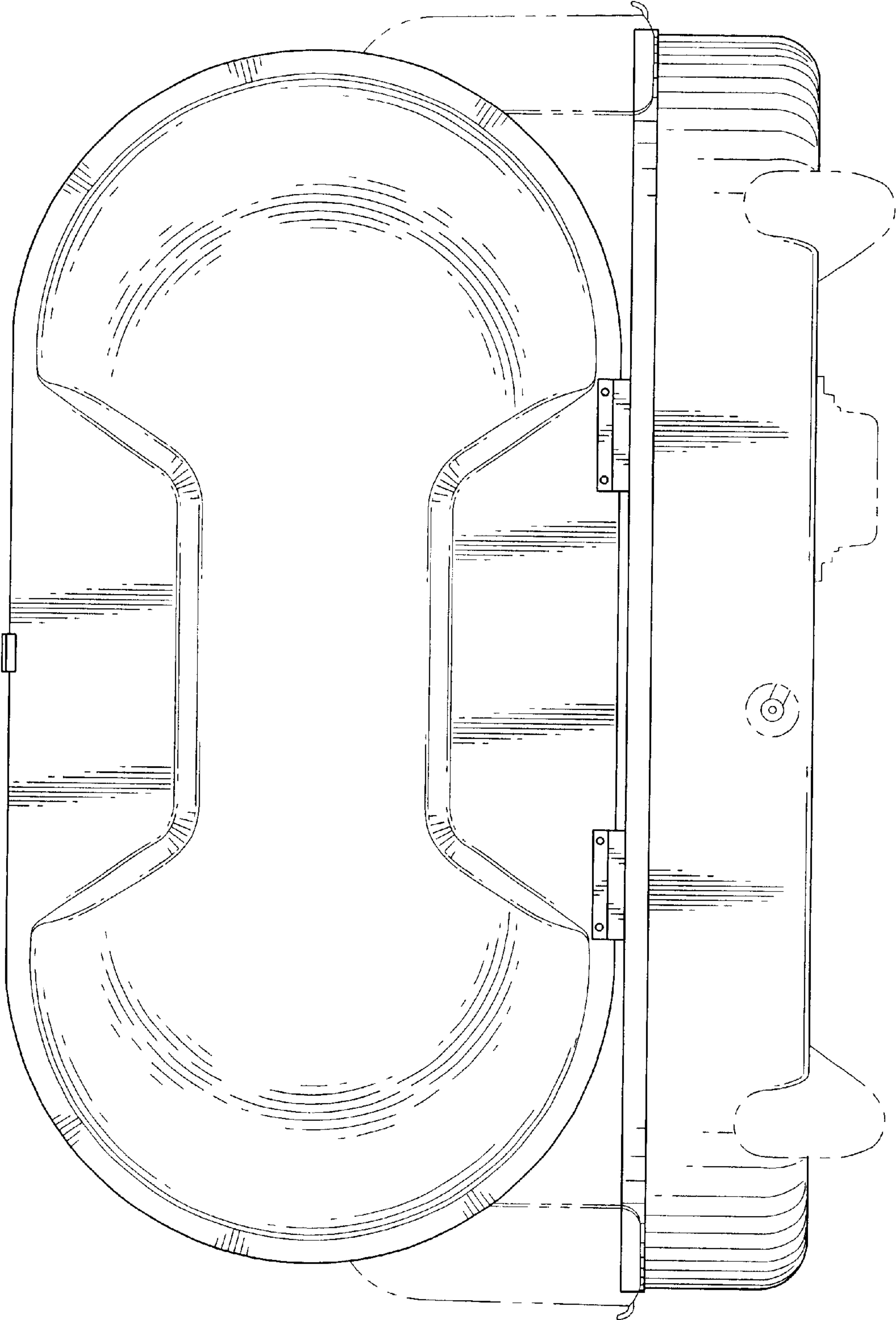


FIG. 24



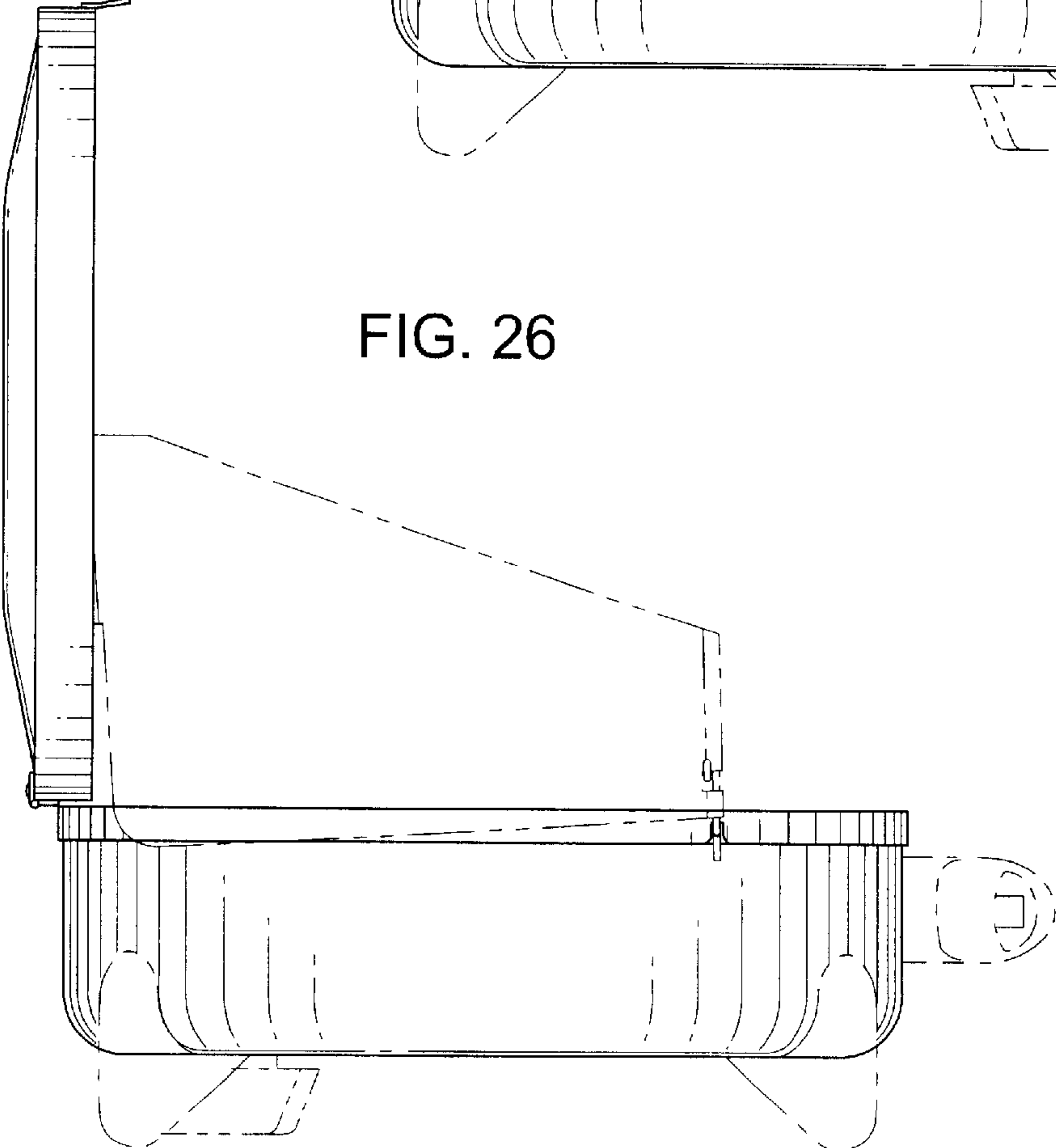
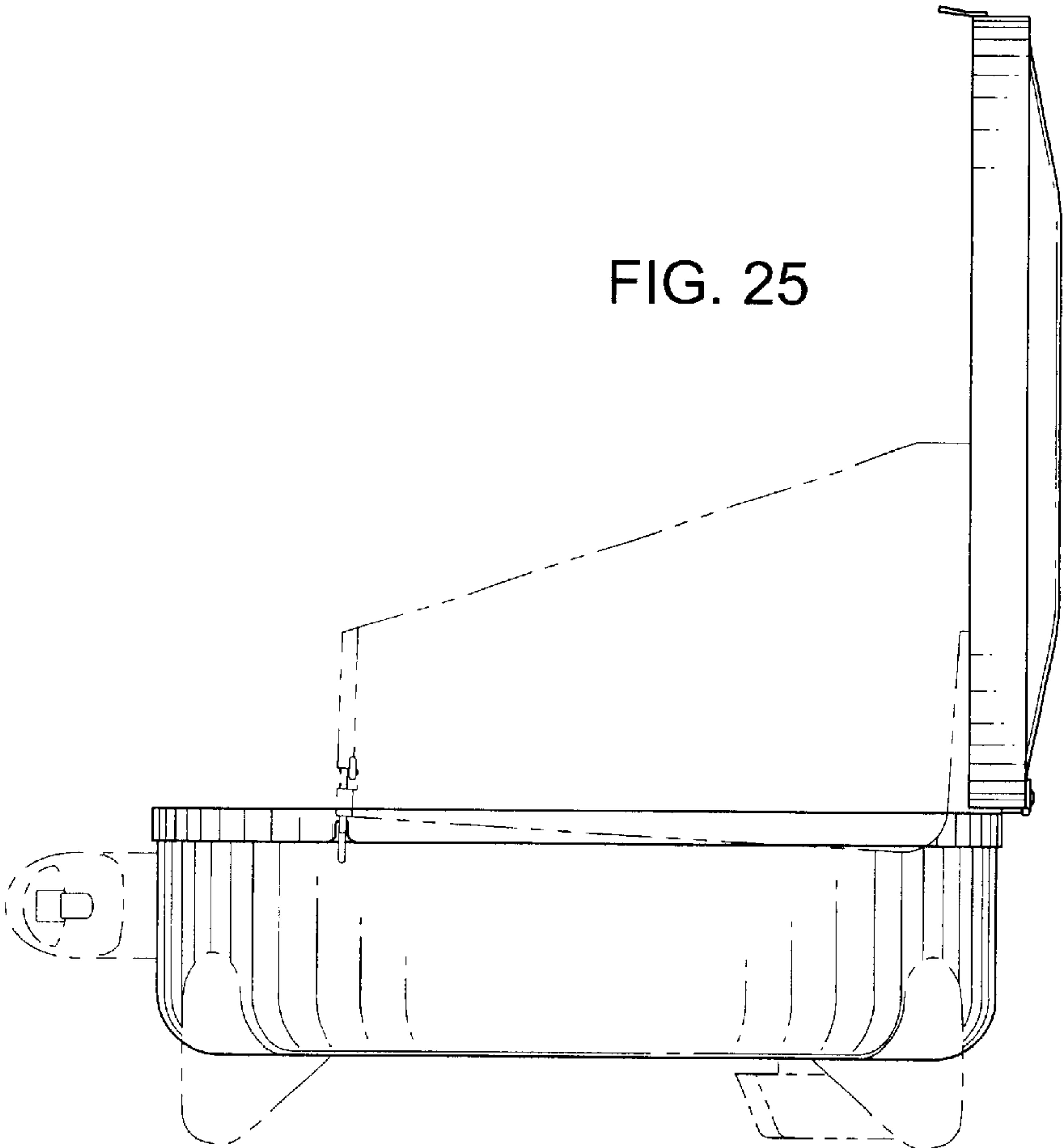
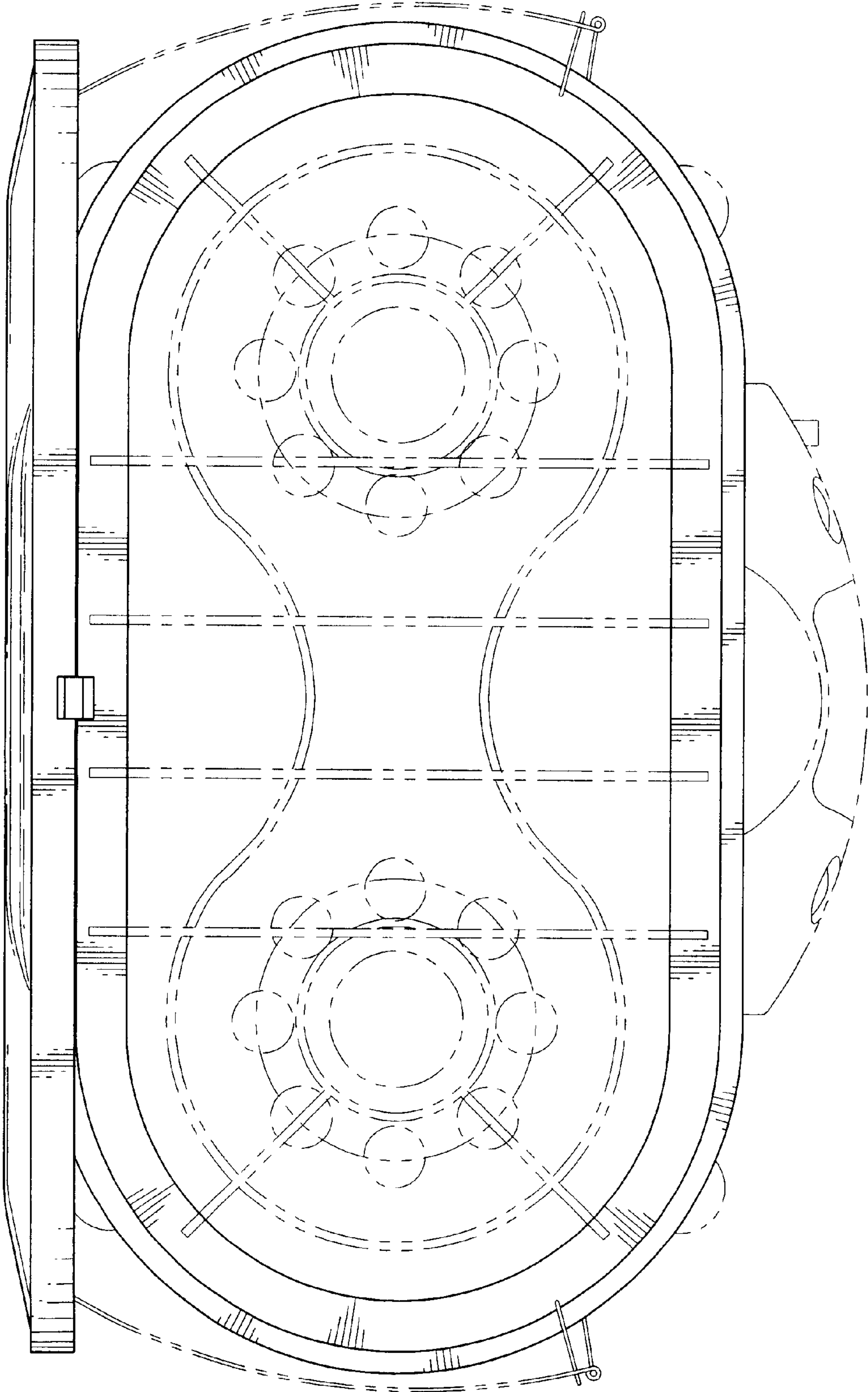


FIG. 27





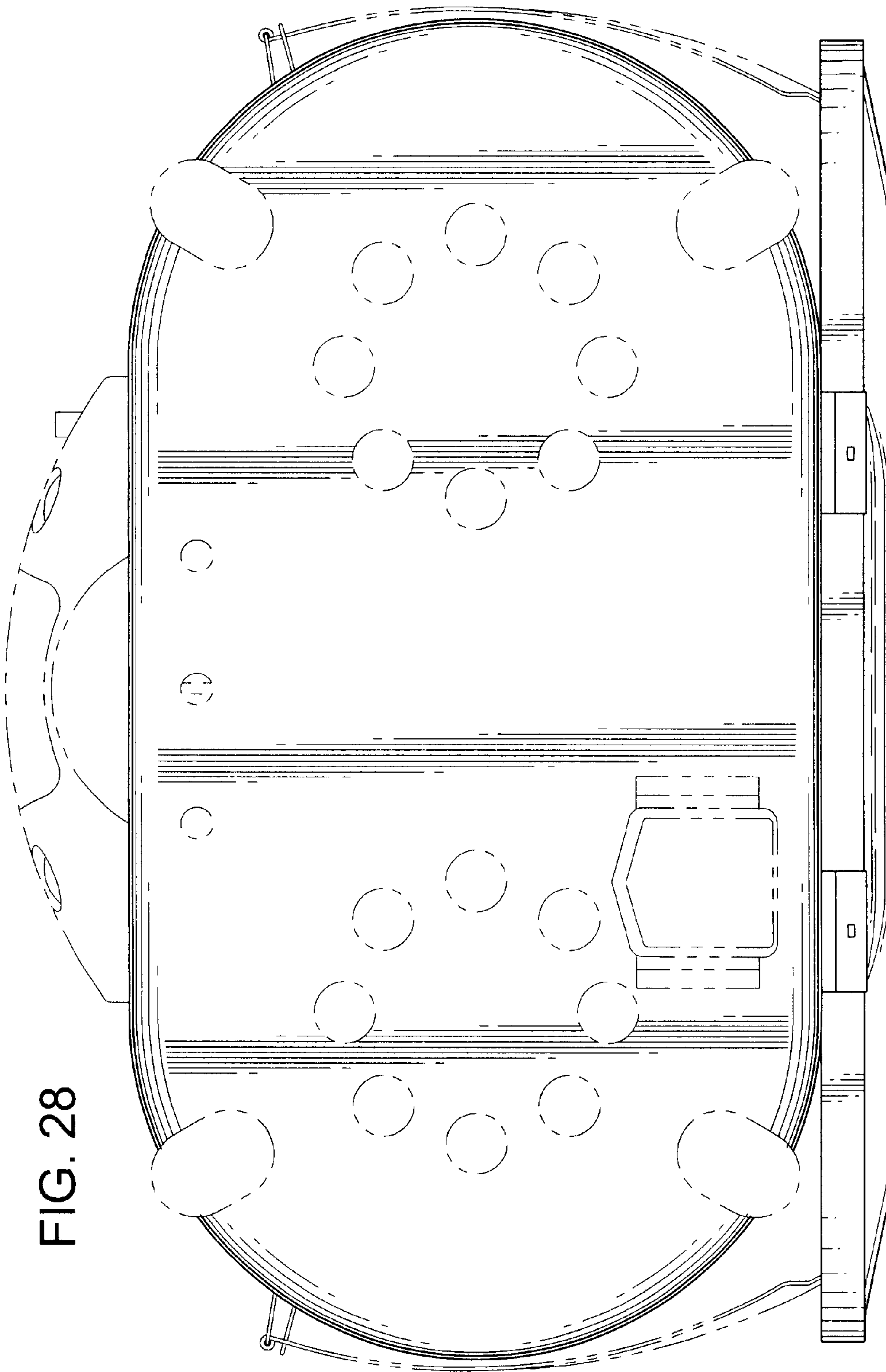


FIG. 28