

US00D504792S

(12) **United States Design Patent**  
**Egger**

(10) **Patent No.:** **US D504,792 S**

(45) **Date of Patent:** **\*\* May 10, 2005**

(54) **CHAIR ARM**

D474,052 S \* 5/2003 True ..... D6/501  
D491,758 S \* 6/2004 True ..... D6/501

(75) Inventor: **Julien Egger**, Santa Monica, CA (US)

\* cited by examiner

(73) Assignee: **True Seating Concepts, LLC** (MU)

*Primary Examiner*—Gary D. Watson

(\*\*) Term: **14 Years**

(74) *Attorney, Agent, or Firm*—Morland C. Fischer

(21) Appl. No.: **29/210,006**

(57) **CLAIM**

(22) Filed: **Jul. 26, 2004**

The ornamental design for a chair arm, as shown and described.

(51) **LOC (7) Cl.** ..... **06-01**

**DESCRIPTION**

(52) **U.S. Cl.** ..... **D6/501; D6/366**

(58) **Field of Search** ..... D6/334–335, 364–367,  
D6/379, 500–502; 297/411.2, 411.27, 411.28

FIG. 1 is a perspective view showing the top, right side and front of a chair arm which forms my new design, the broken lines of a chair being for illustrative purposes only and forming no part of my design;

(56) **References Cited**

**U.S. PATENT DOCUMENTS**

D368,380 S	*	4/1996	Olson et al.	.....	D6/366
D429,422 S	*	8/2000	De Lucchi et al.	.....	D6/366
D431,402 S	*	10/2000	Wang	.....	D6/501
D447,370 S	*	9/2001	Ho	.....	D6/501
D451,317 S	*	12/2001	Hsieh	.....	D6/501
D463,176 S	*	9/2002	Chi	.....	D6/501

FIG. 2 is a right side elevational view thereof;

FIG. 3 is a top plan view thereof;

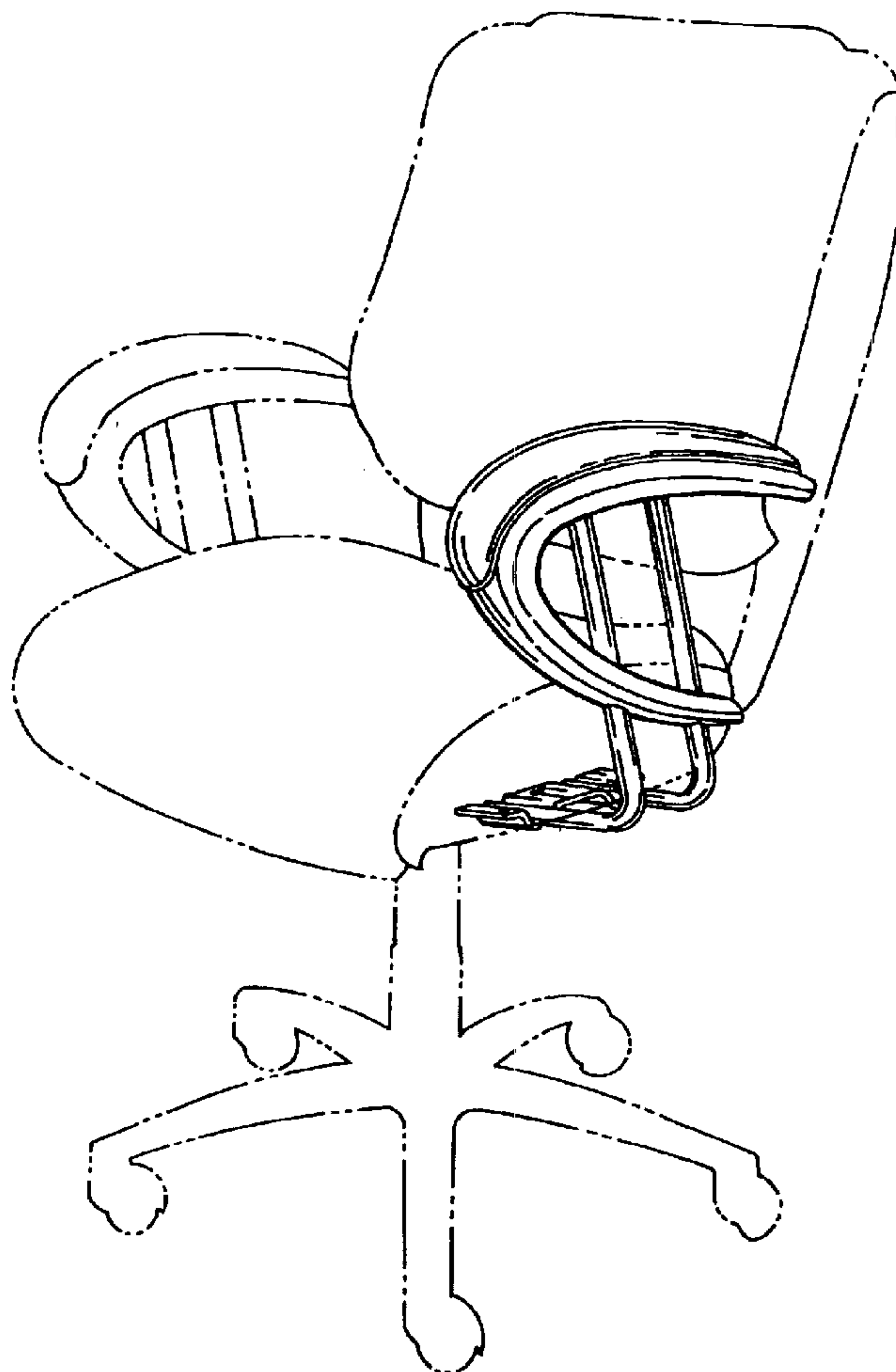
FIG. 4 is a left side elevational view thereof;

FIG. 5 is a bottom plan view thereof;

FIG. 6 is a front elevational view; and,

FIG. 7 is a rear elevational view thereof.

**1 Claim, 4 Drawing Sheets**



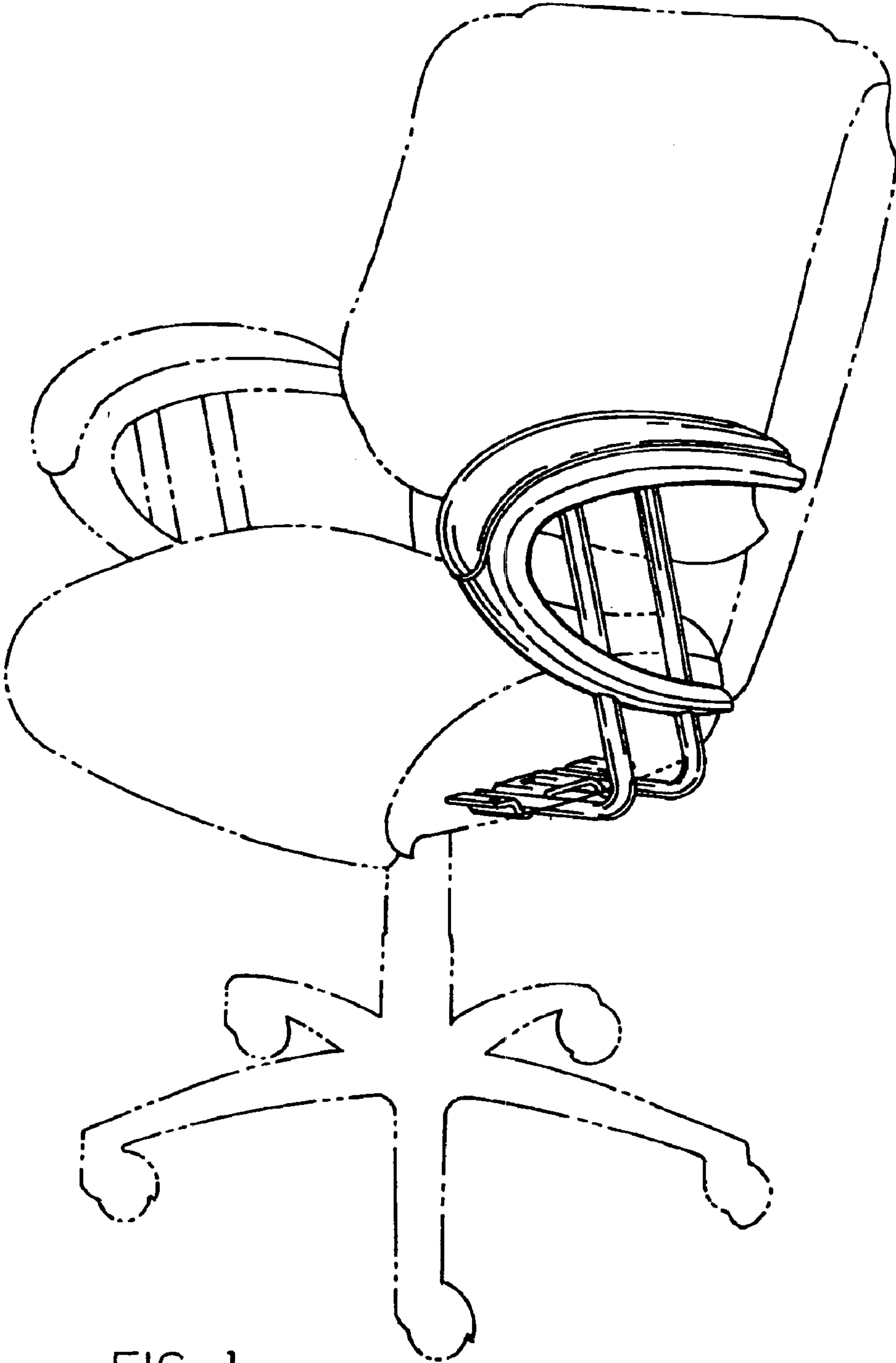


FIG. 1

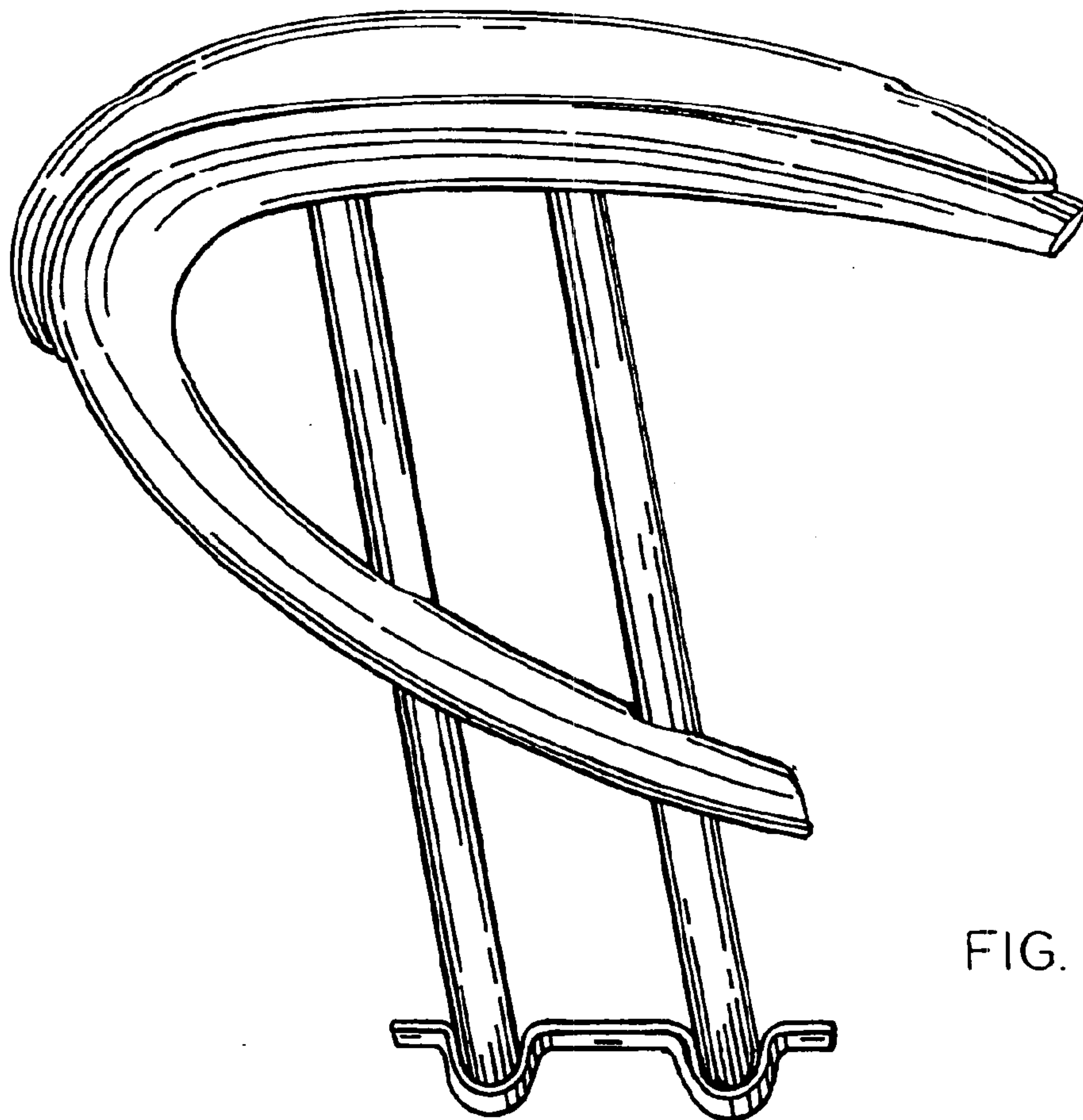


FIG. 2

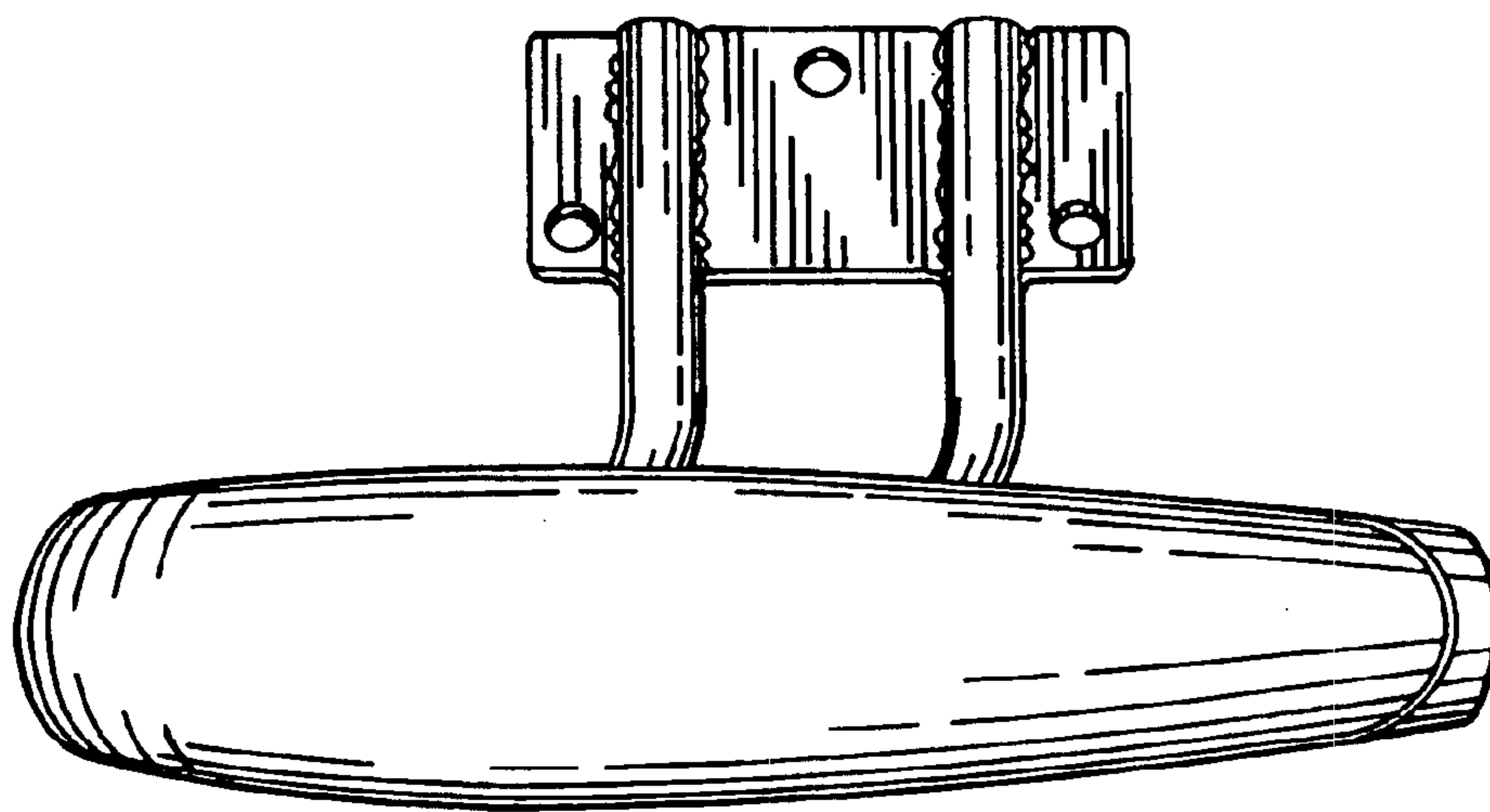


FIG. 3

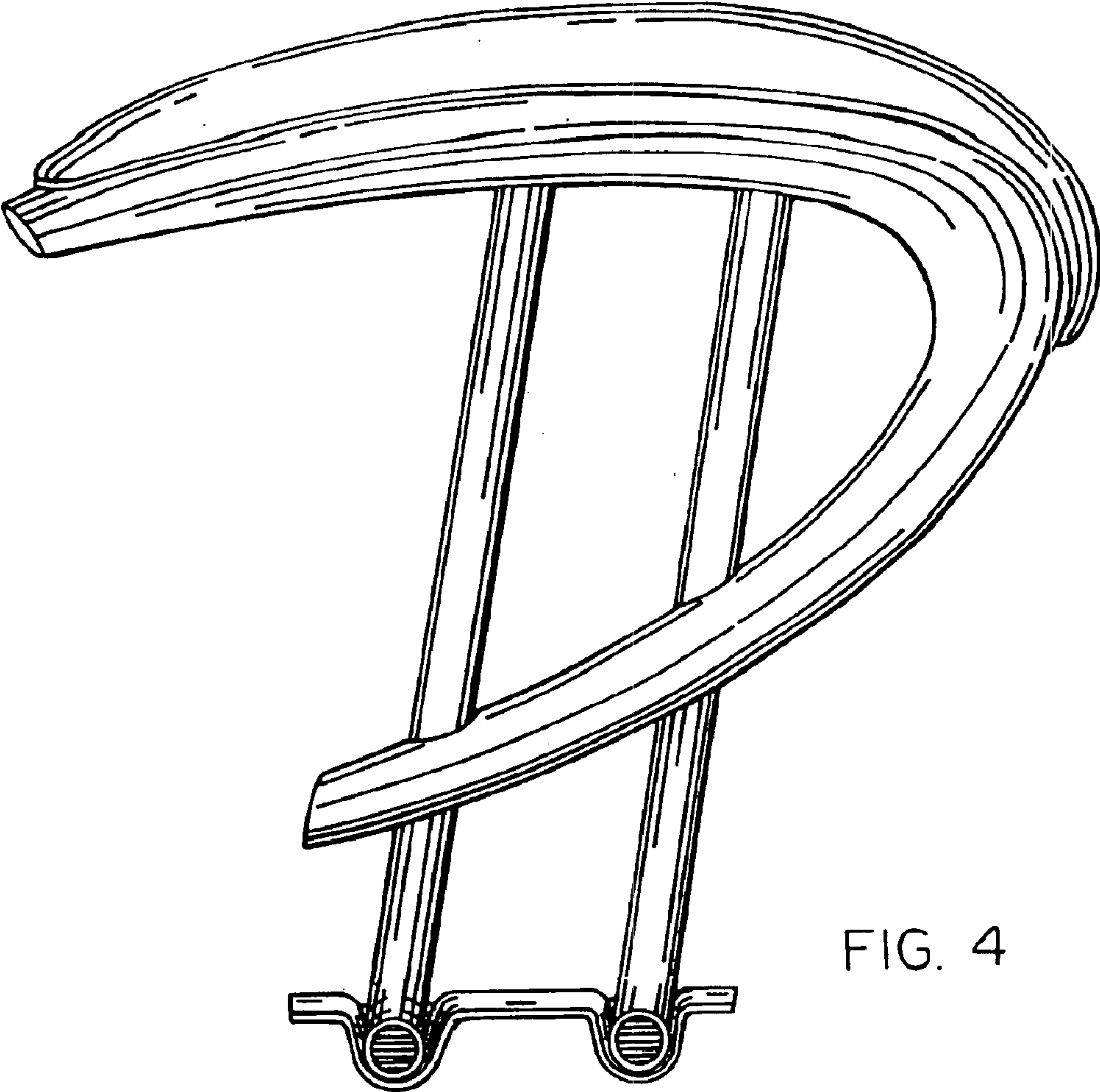


FIG. 4

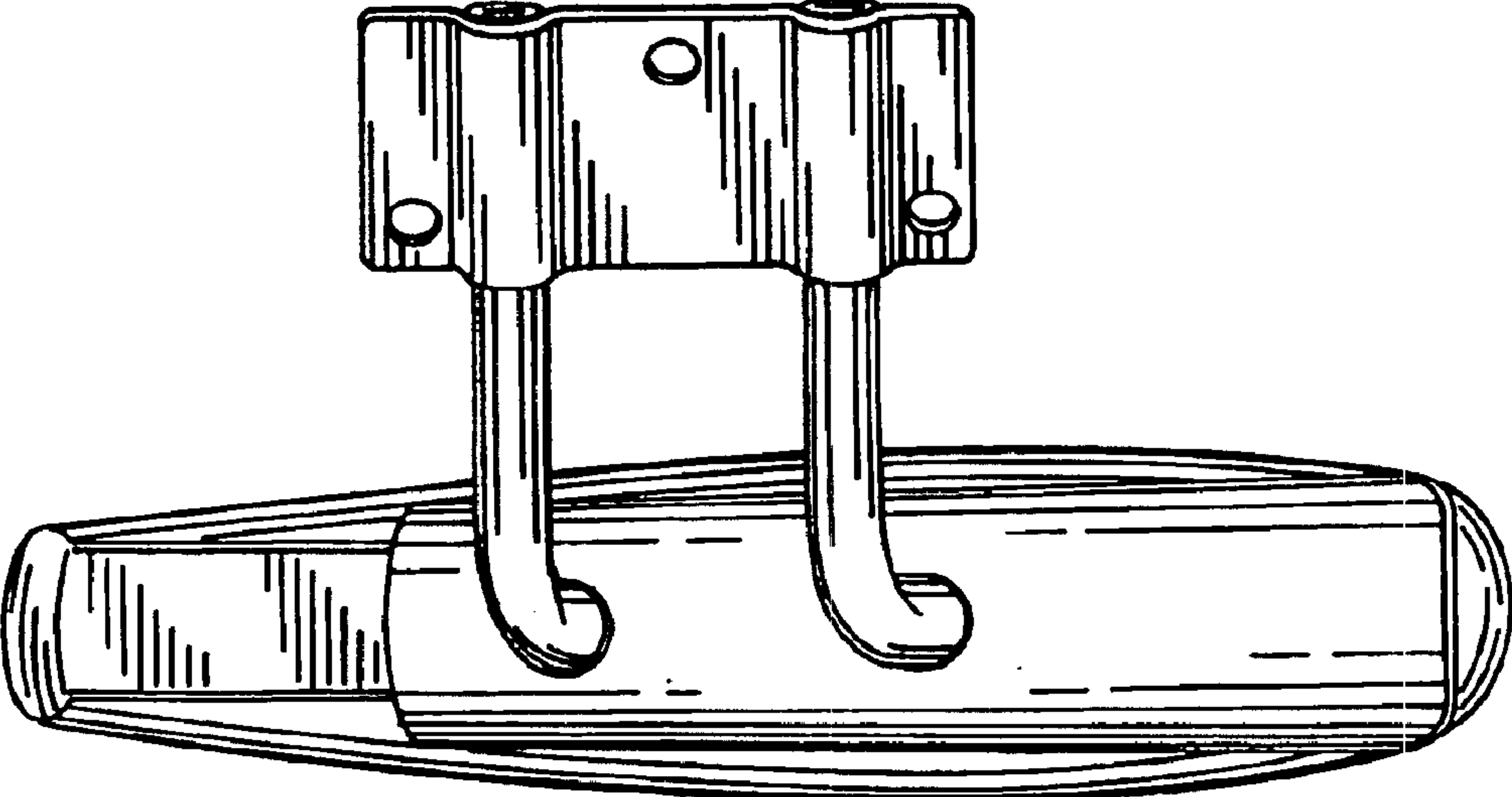


FIG. 5

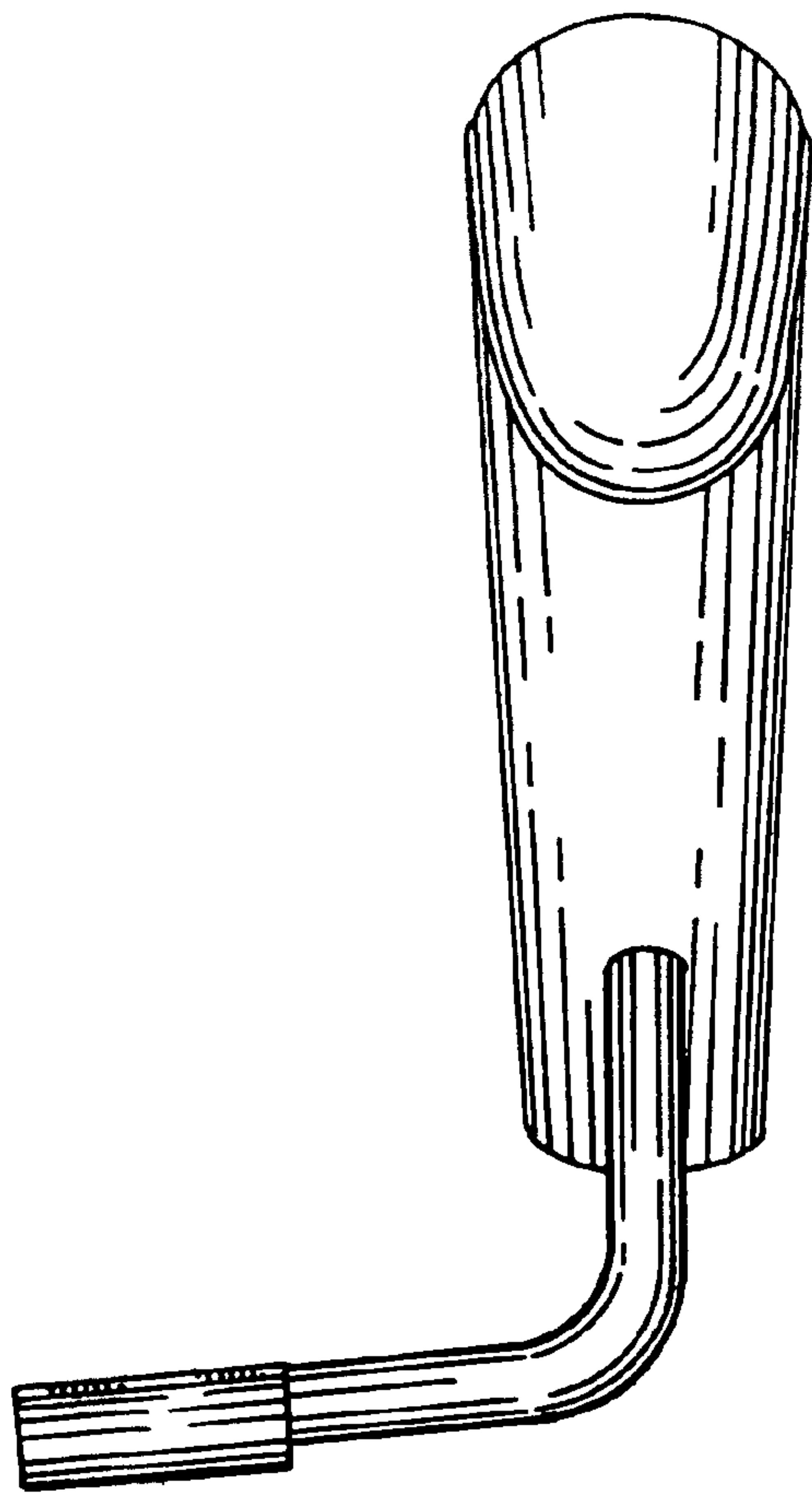


FIG. 6

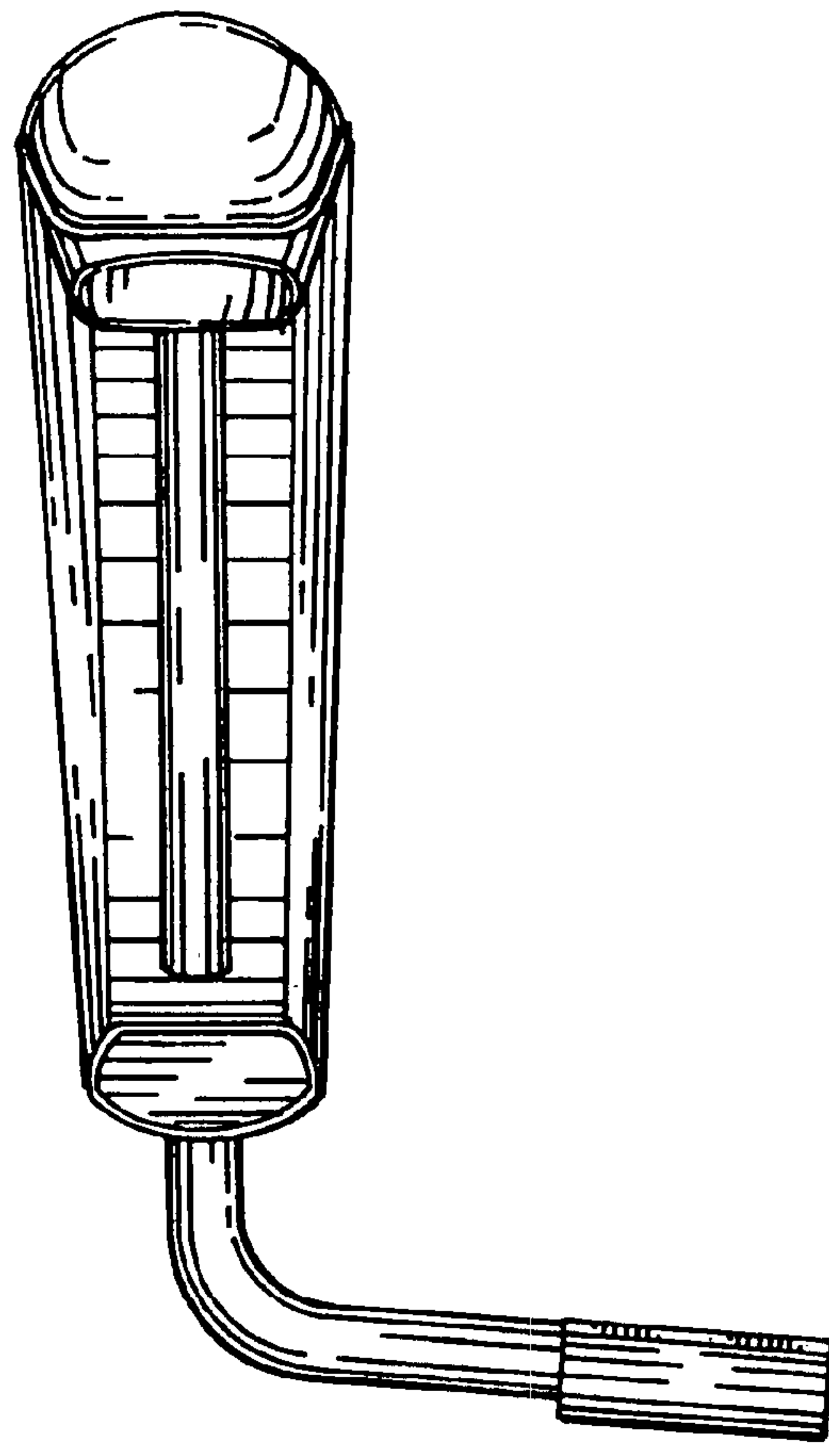


FIG. 7