

US00D504791S

(12) **United States Design Patent** (10) **Patent No.:** **US D504,791 S**  
**Longenecker et al.** (45) **Date of Patent:** **\*\* May 10, 2005**

(54) **HANDLE FOR A CHILD SWING**  
 (75) Inventors: **Michael L. Longenecker**, Ephrata, PA (US); **Jeff G. Greger**, Lititz, PA (US)  
 (73) Assignee: **Graco Children's Products Inc.**, Exton, PA (US)  
 (\*\*) Term: **14 Years**

D421,860 S 3/2000 Gibson et al.  
 D423,833 S \* 5/2000 Greger et al. .... D6/500  
 D451,312 S 12/2001 Kain  
 D451,713 S \* 12/2001 Kain ..... D6/500  
 D451,714 S \* 12/2001 Cone, II ..... D6/500  
 6,520,862 B1 2/2003 Armbruster et al.  
 D477,719 S 7/2003 Chaudeurge  
 6,645,080 B1 \* 11/2003 Greger et al. .... 472/118  
 D490,993 S \* 6/2004 Longenecker et al. .... D6/344

\* cited by examiner

(21) Appl. No.: **29/178,304**  
 (22) Filed: **Mar. 26, 2003**

*Primary Examiner*—Mimosa De  
 (74) *Attorney, Agent, or Firm*—Foley & Lardner LLP

(51) **LOC (7) Cl.** ..... **06-06**  
 (52) **U.S. Cl.** ..... **D6/500; D6/333**  
 (58) **Field of Search** ..... D6/333–336, 344, D6/348, 390, 391, 491, 500–502; D3/213, 217; 294/140; 297/183.1, 183.2, 183.3, 183.4, 183.6, 184.11, 250.1, 256.13, 256.16, 259.3, 273, 277, 281; 5/105, 655; 472/118, 119

(57) **CLAIM**

We claim the ornamental design for a handle for a child swing, as shown and described.

**DESCRIPTION**

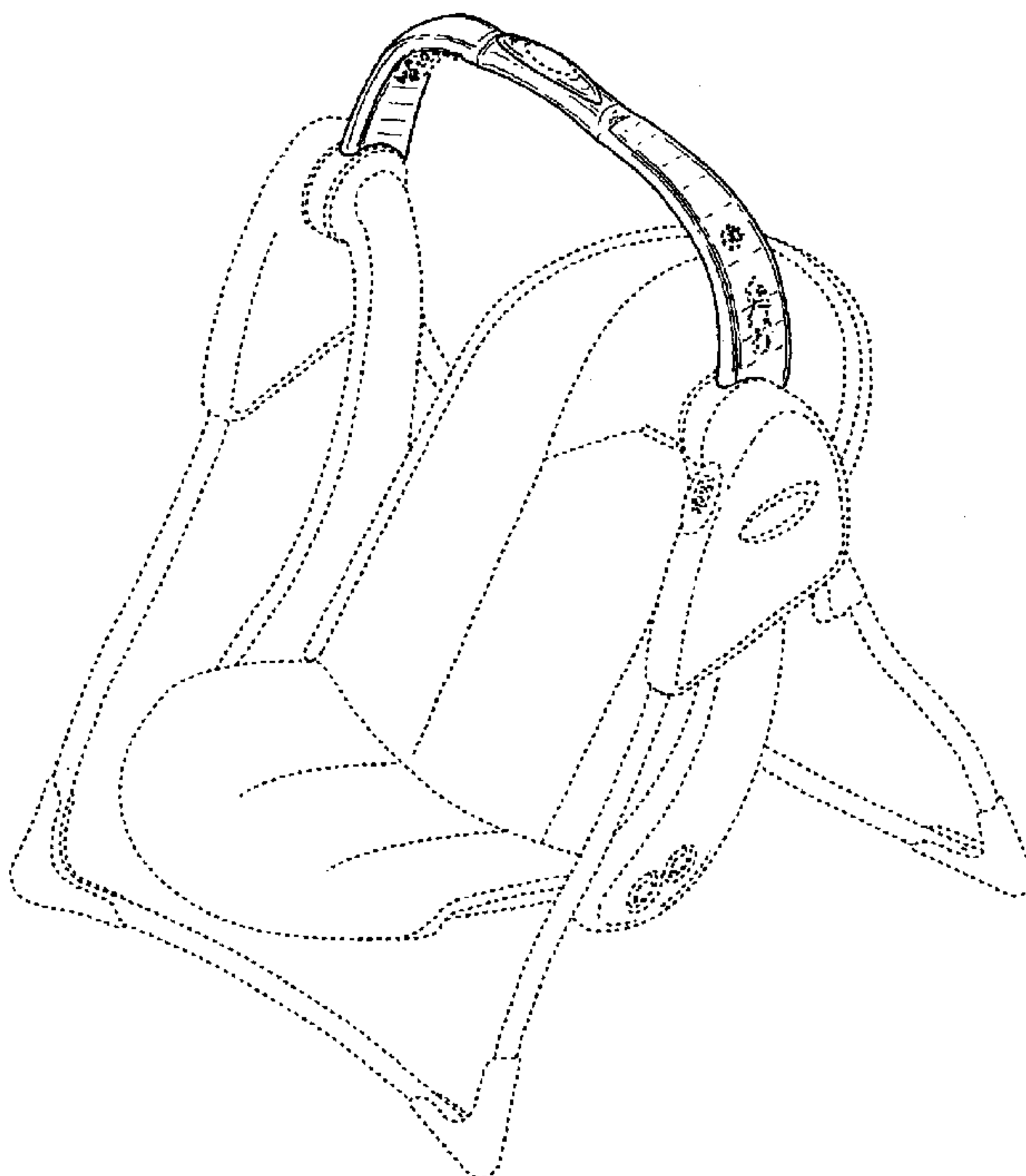
FIG. 1 is a front perspective view of a handle for a child swing according to our new design;  
 FIG. 2 is an enlarged front view thereof;  
 FIG. 3 is an enlarged back view thereof;  
 FIG. 4 is an enlarged left side view thereof;  
 FIG. 5 is an enlarged right side view thereof;  
 FIG. 6 is an enlarged top view thereof; and,  
 FIG. 7 is an enlarged bottom view thereof.  
 The broken lines shown in the drawing are for illustrative purposes only and form no part of the claimed design.

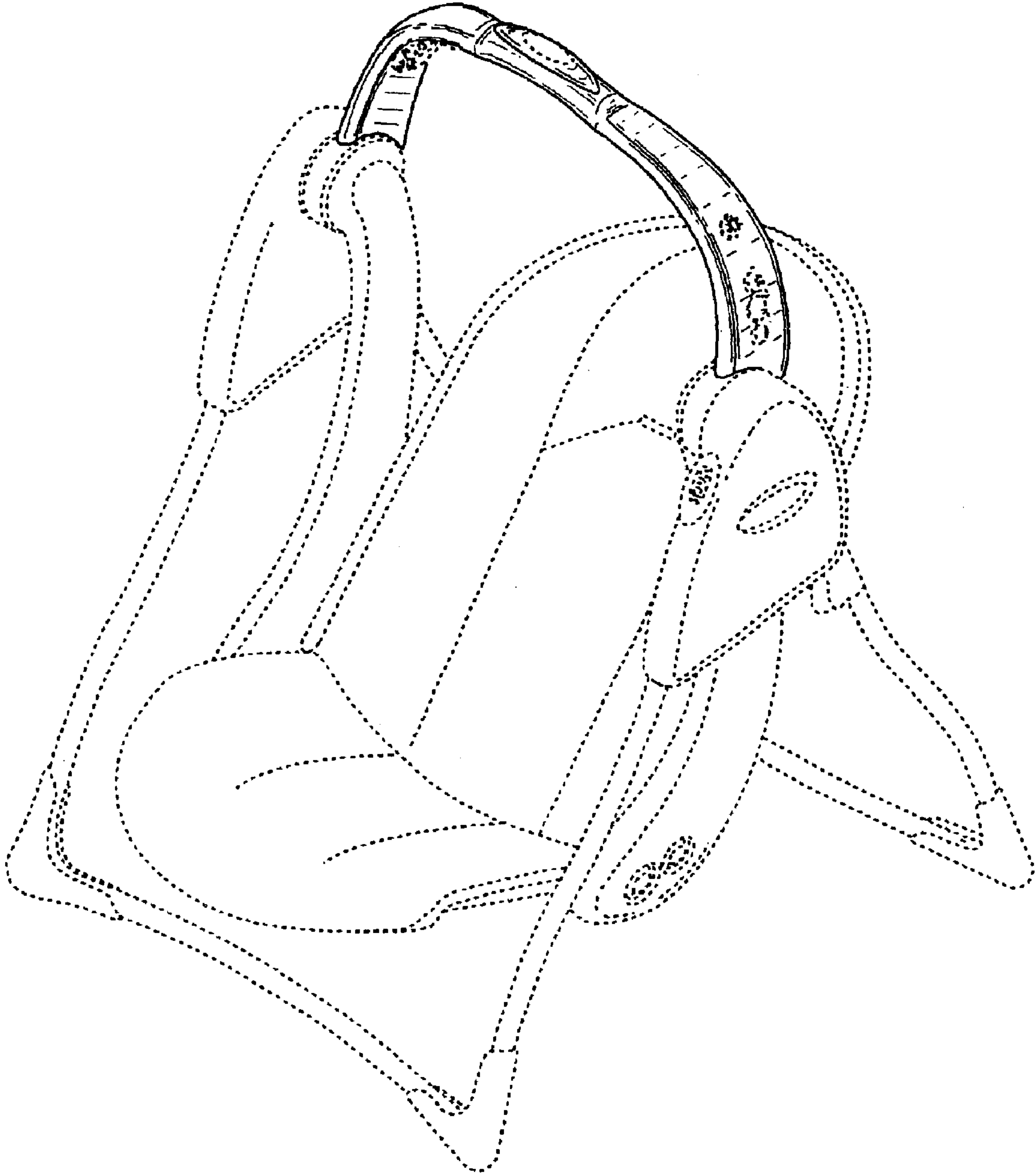
(56) **References Cited**

**U.S. PATENT DOCUMENTS**

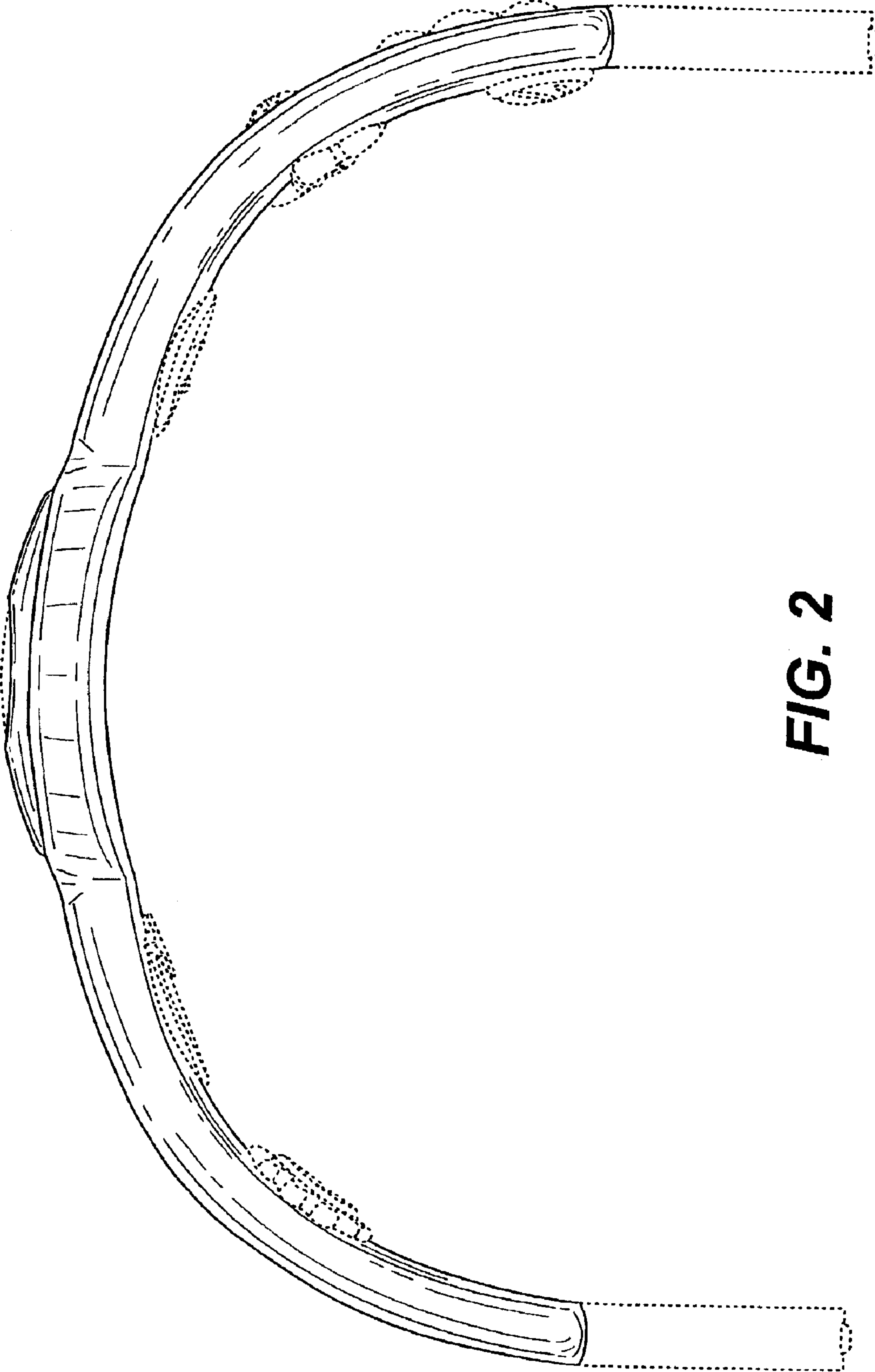
4,371,206 A \* 2/1983 Johnson, Jr. .... 294/140  
 5,143,419 A \* 9/1992 Tepper et al. .... 297/183.3  
 D347,121 S \* 5/1994 Harper et al. .... D6/333  
 5,522,639 A \* 6/1996 Jaime ..... 297/184.11  
 5,658,044 A 8/1997 Krevh  
 5,803,535 A \* 9/1998 Jane Cabagnero ..... 297/183.3  
 D418,700 S \* 1/2000 Julien ..... D6/500

**1 Claim, 5 Drawing Sheets**





**FIG. 1**



**FIG. 2**

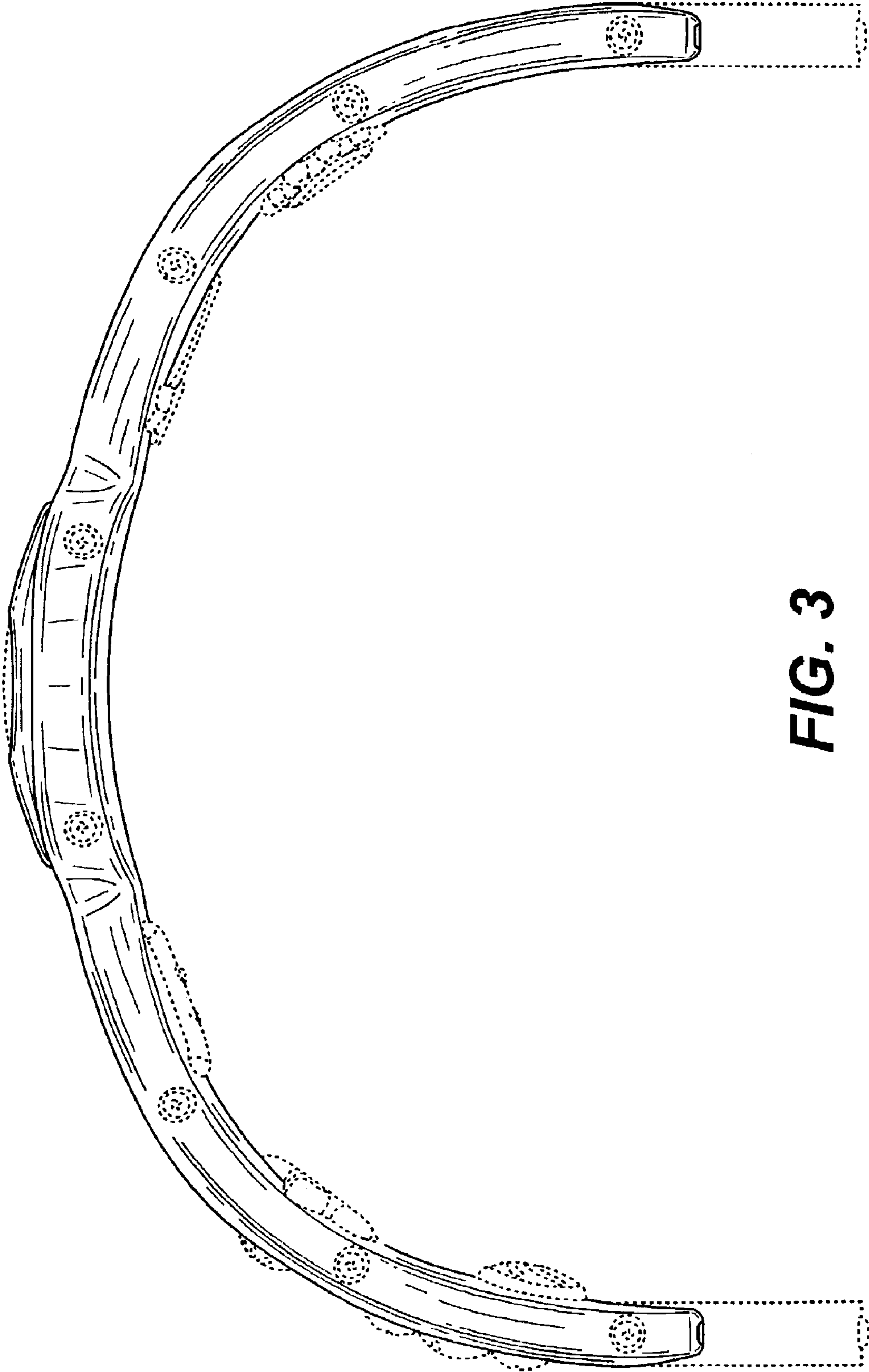
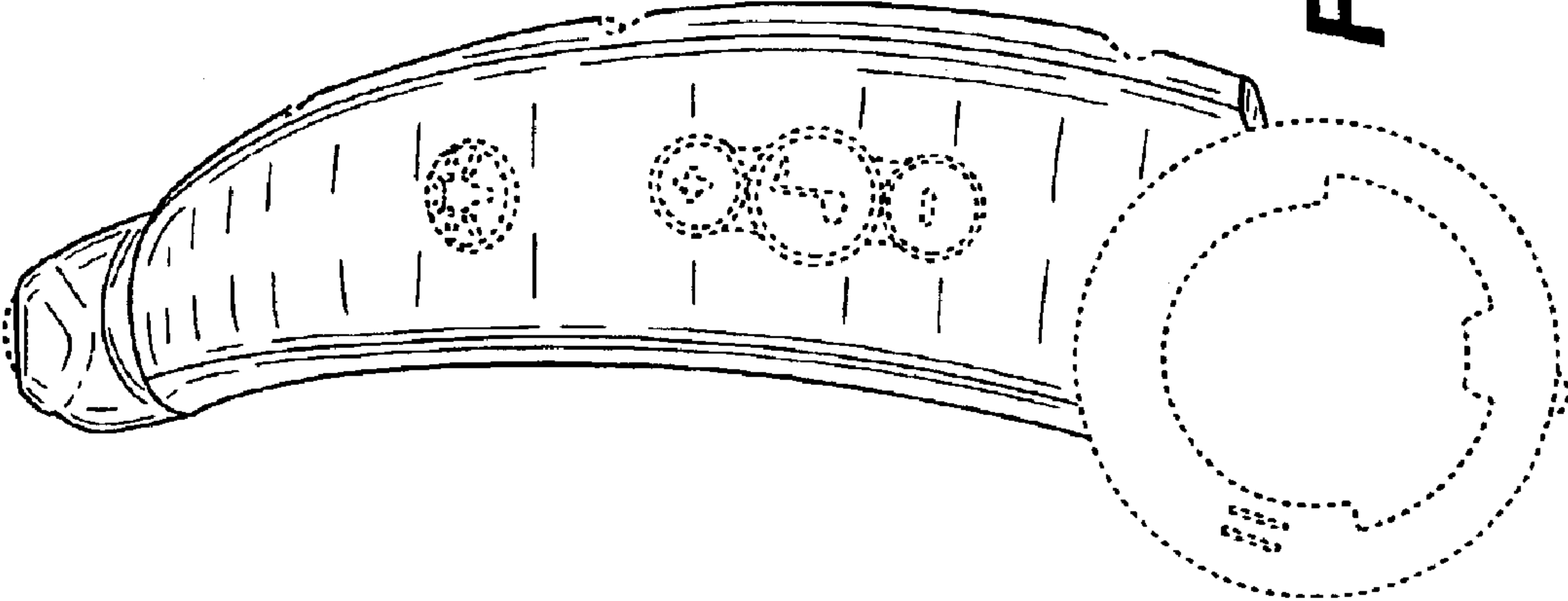
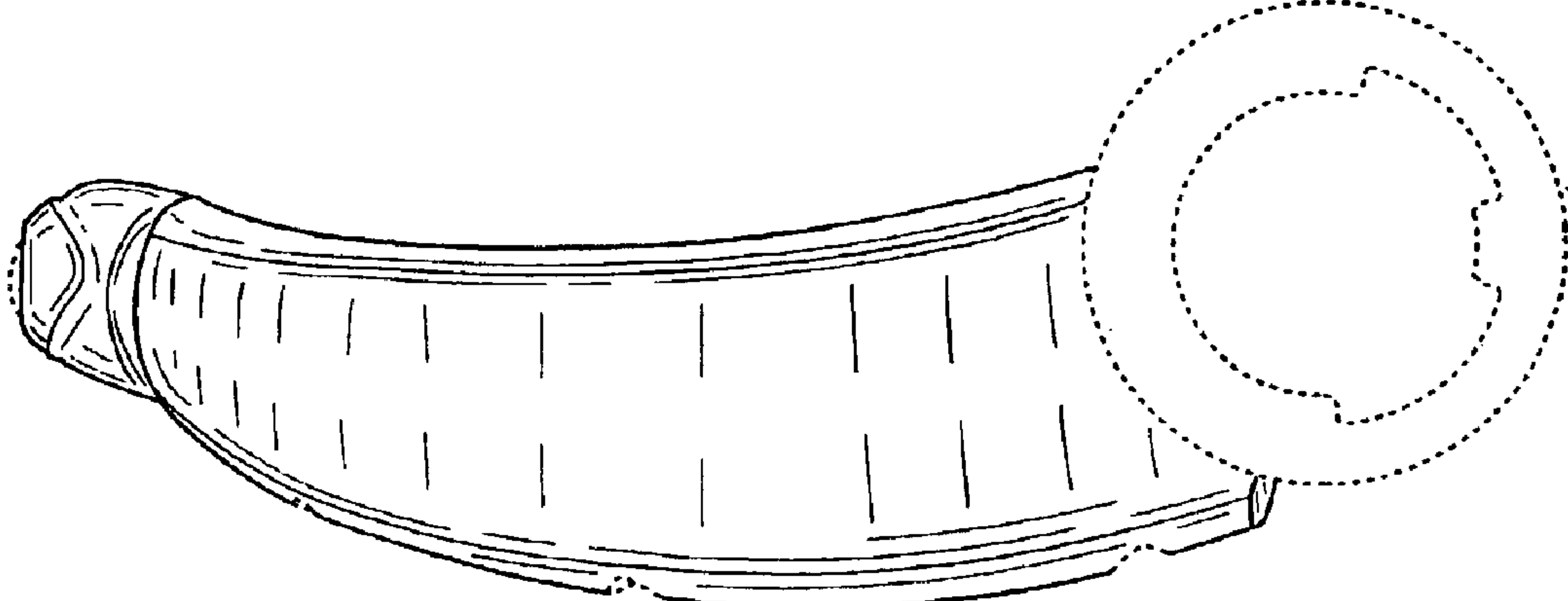


FIG. 3

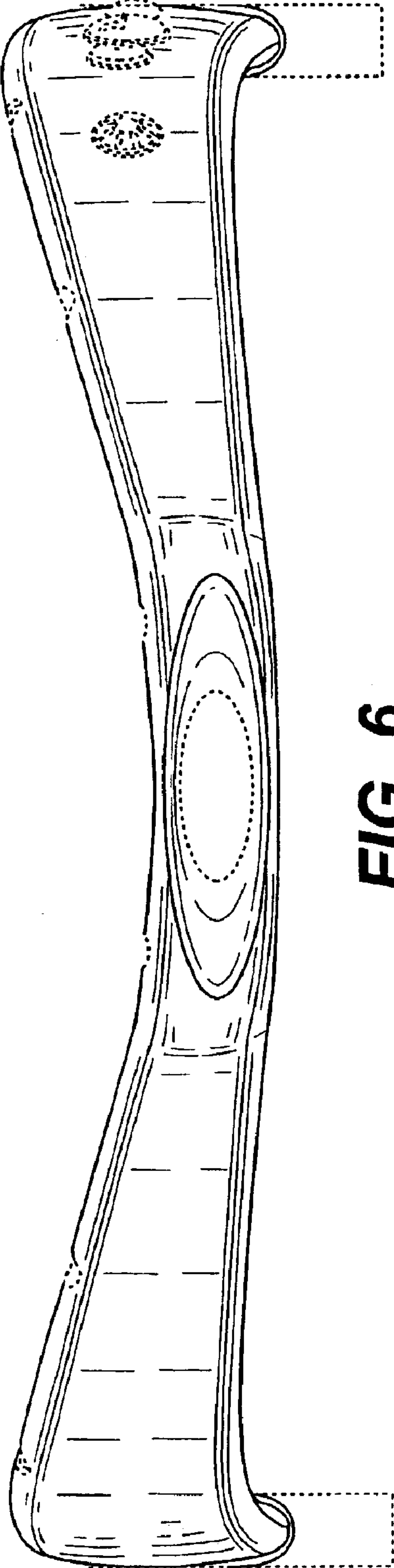


**FIG. 5**

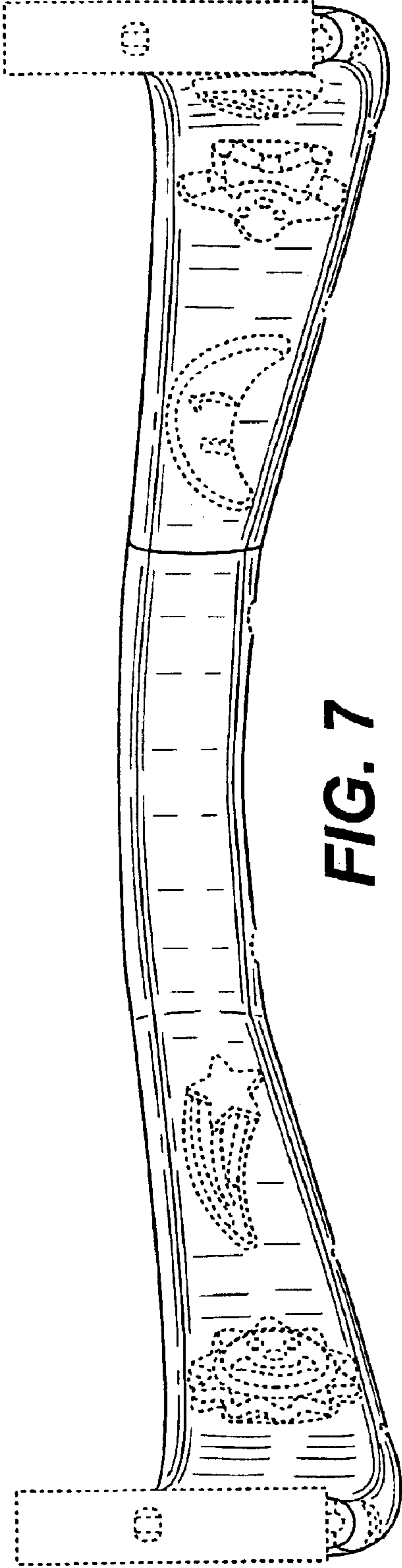


**FIG. 4**





**FIG. 6**



**FIG. 7**