



US00D504788S

(12) **United States Design Patent** (10) **Patent No.:** **US D504,788 S**  
**Rehmert et al.** (45) **Date of Patent:** **\*\* May 10, 2005**

(54) **CHAIR**

(76) Inventors: **Rory S. Rehmert**, P.O. Box 1357, Birmingham, AL (US) 35201; **Timothy M. Le Roy**, P.O. Box 1357, Birmingham, AL (US) 35201; **Jerry C. Camp, Jr.**, P.O. Box 1357, Birmingham, AL (US) 35201; **Jackie Hogan**, P.O. Box 1357, Birmingham, AL (US) 35201

(\*\*) Term: **14 Years**

(21) Appl. No.: **29/210,882**

(22) Filed: **Aug. 9, 2004**

(51) **LOC (7) Cl.** ..... **06-01**

(52) **U.S. Cl.** ..... **D6/376; D6/370**

(58) **Field of Search** ..... **D6/334-336, 370, D6/374, 376, 380, 500-502; 297/445.1, 446.1**

(56) **References Cited**

**U.S. PATENT DOCUMENTS**

D42,529 S \* 5/1912 Travers ..... D6/380  
D49,401 S \* 7/1916 Silverman ..... D6/502

**OTHER PUBLICATIONS**

Plantation "Bistro" Chair. Best 1994 Spring Catalog.\*  
Bistro Armchair. Smith & Hawken Trade Fall 2000 Catalog.\*  
Cannes Folding Chair. Smith & Hawken Catalog.\*  
Tuileries Cafe Dining. Item 25104. Lyon Shaw 1991-1992 Catalog.\*

\* cited by examiner

*Primary Examiner*—Joel A. Sincavage

*Assistant Examiner*—Vy Nguyen

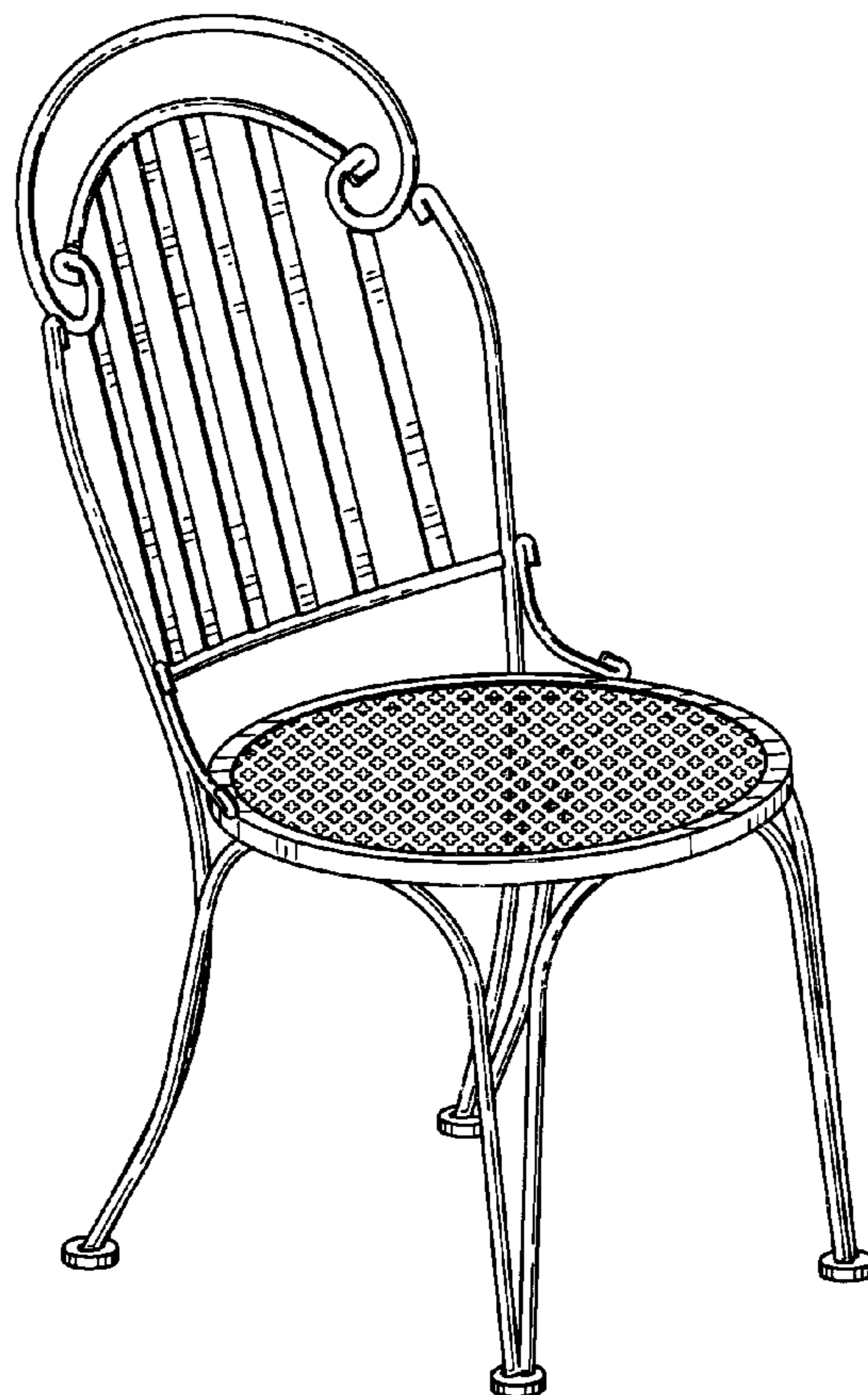
(57) **CLAIM**

The ornamental design for a chair, as shown and described.

**DESCRIPTION**

FIG. 1 is a perspective view of a chair showing our new design;  
FIG. 2 is a right side view thereof;  
FIG. 3 is a top view thereof;  
FIG. 4 is a bottom view thereof;  
FIG. 5 is a front view thereof; and,  
FIG. 6 is a back view thereof.

**1 Claim, 3 Drawing Sheets**



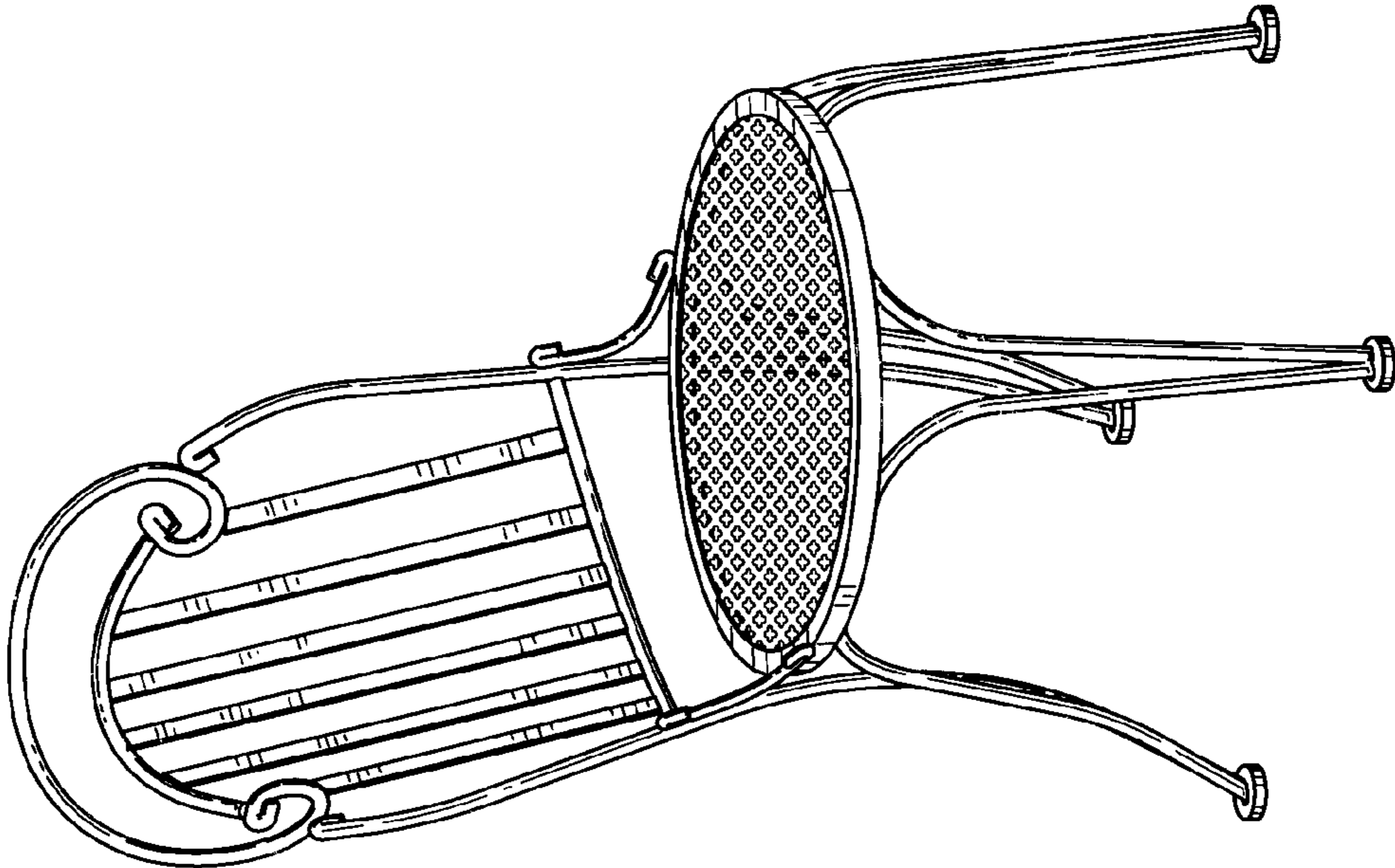


Fig. 1

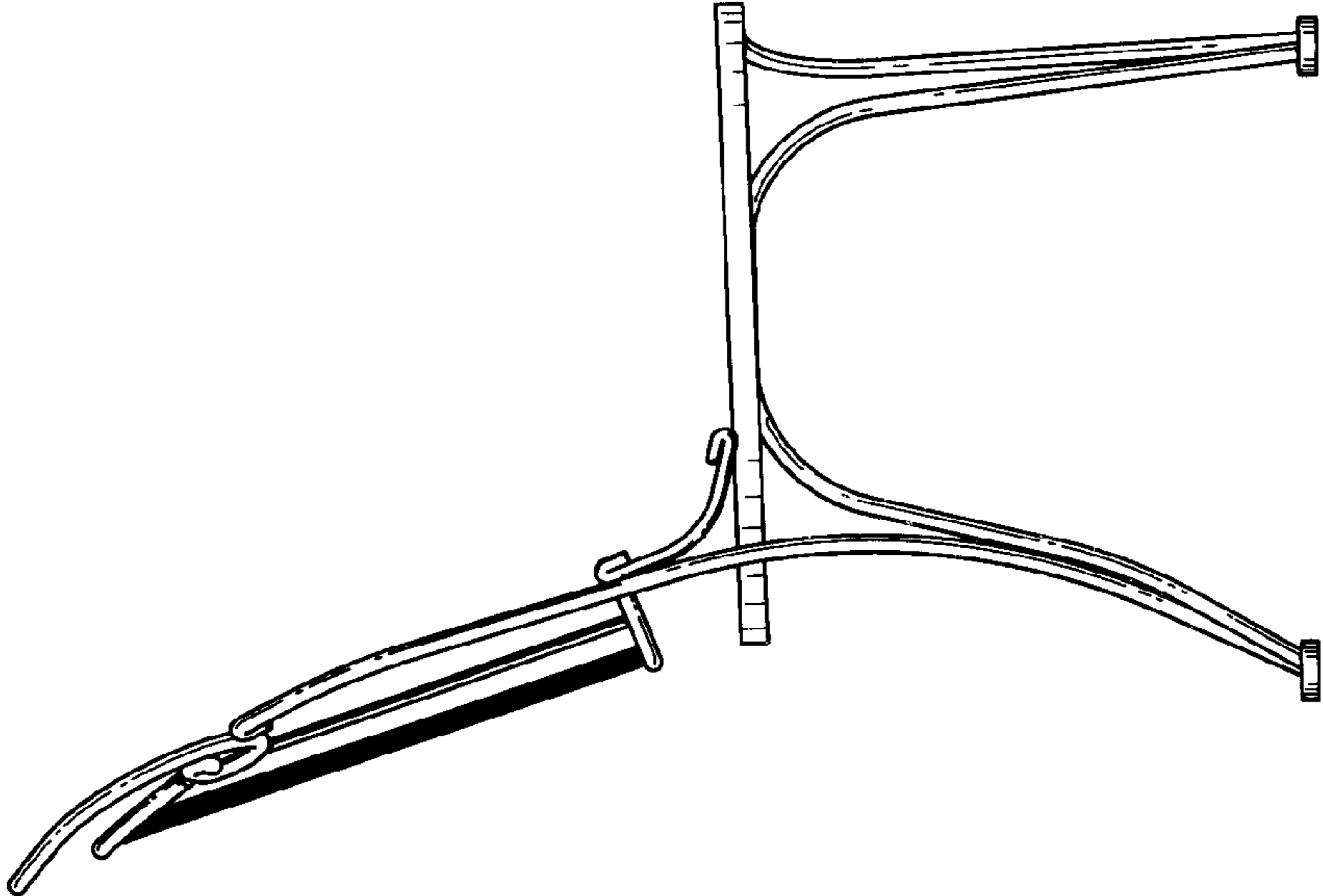


Fig. 2

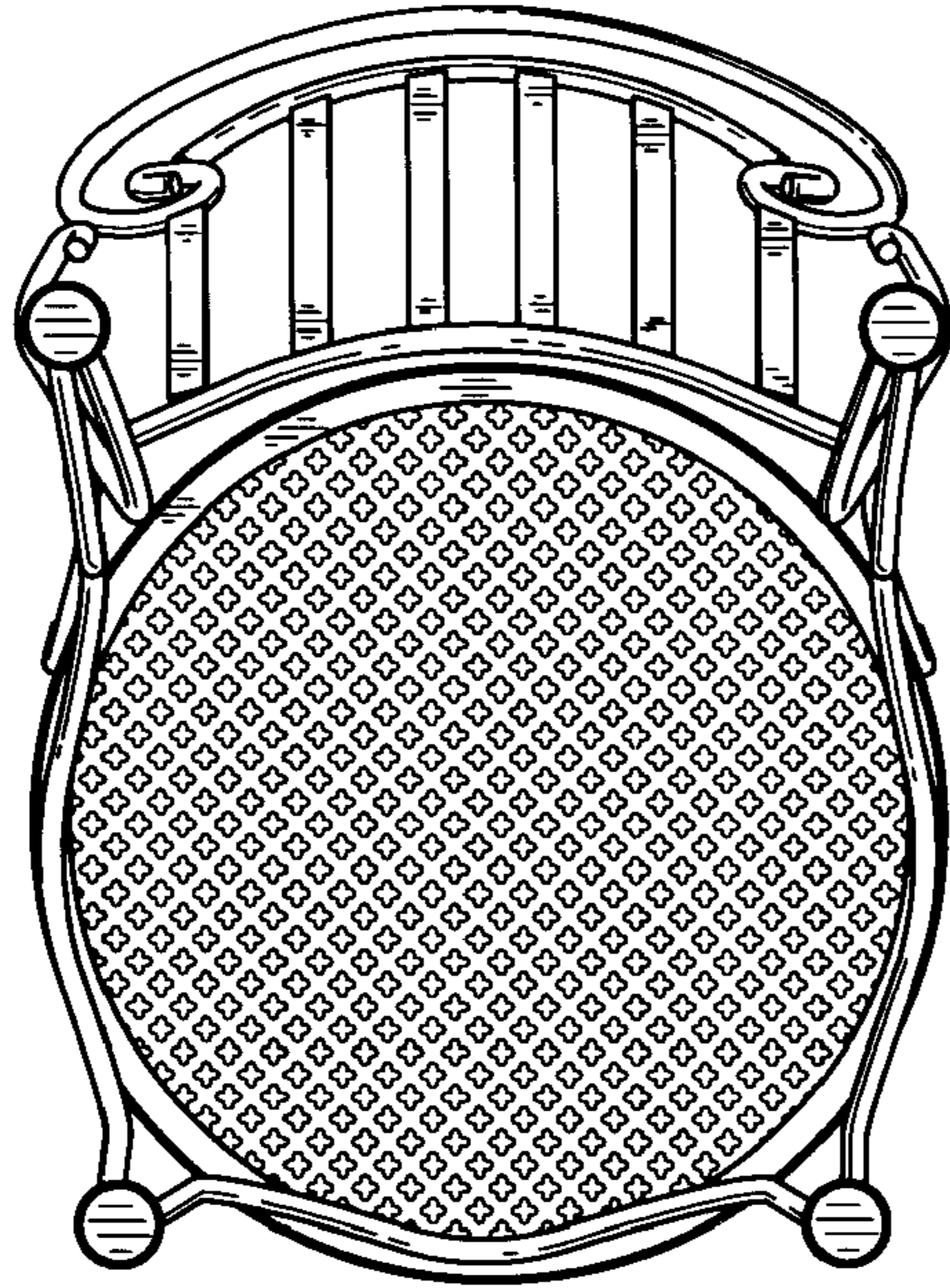


Fig. 4

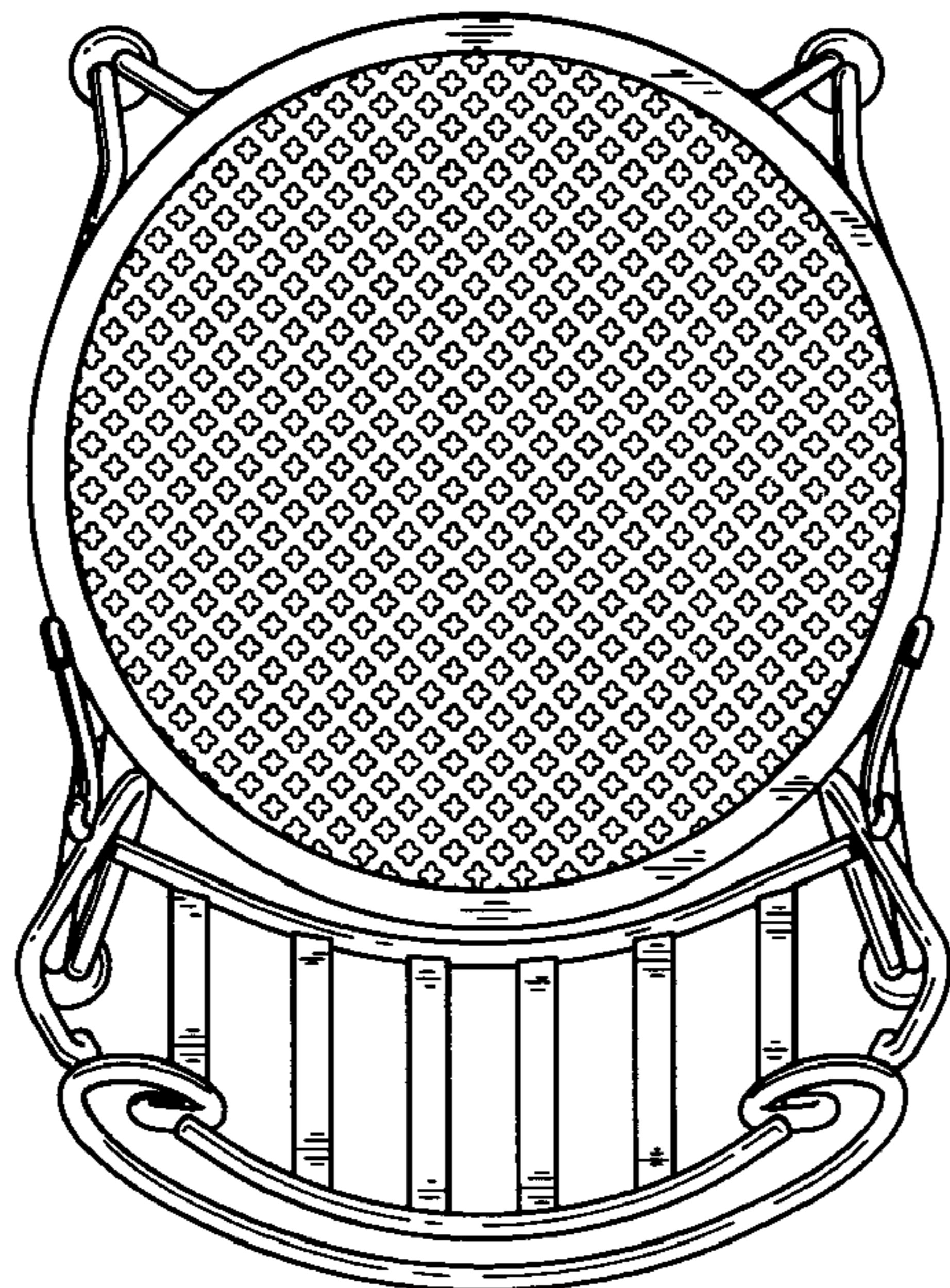


Fig. 3



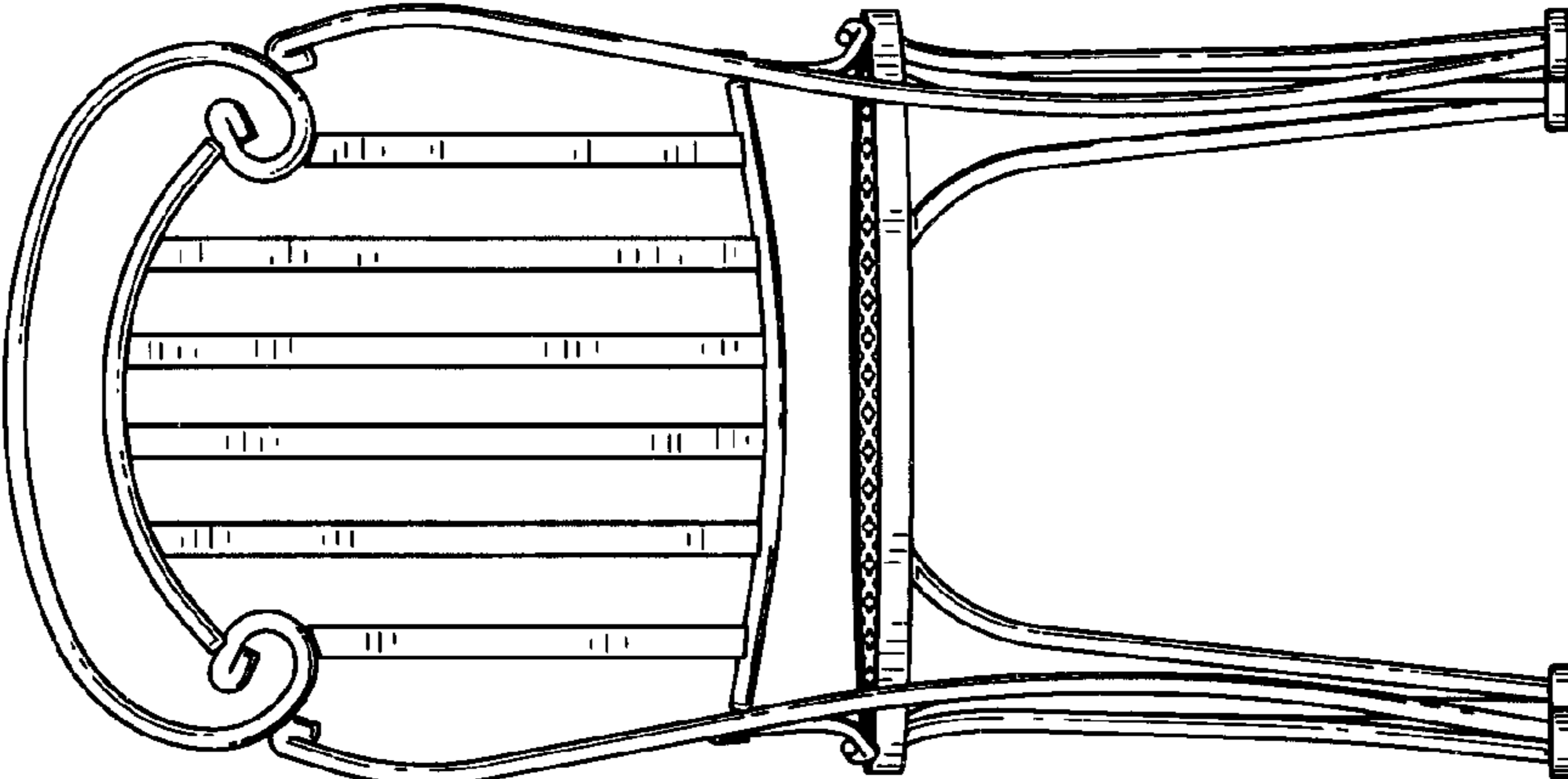


Fig. 6

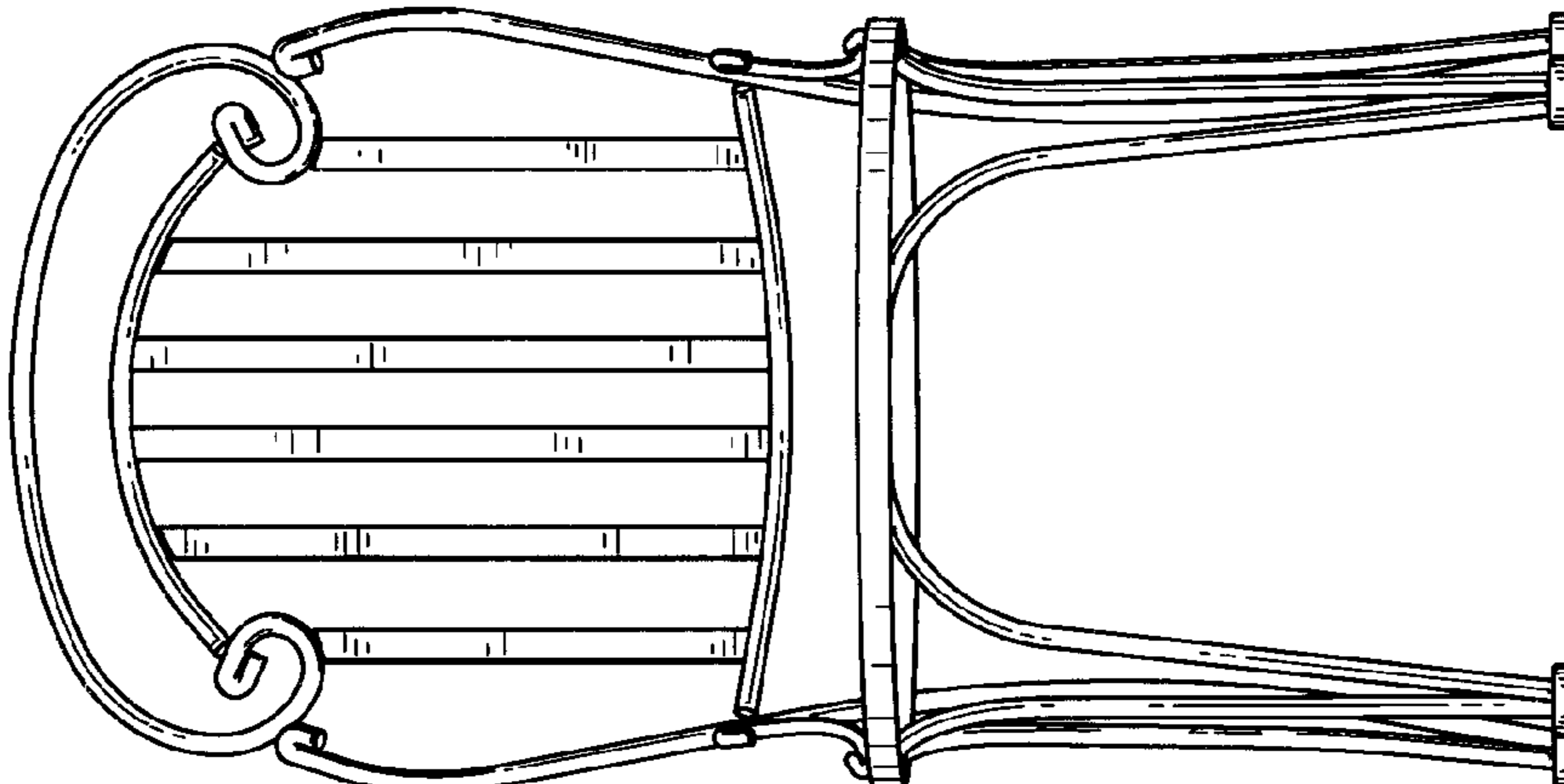


Fig. 5