

US00D504783S

(12) **United States Design Patent**
Park

(10) **Patent No.:** **US D504,783 S**

(45) **Date of Patent:** **** May 10, 2005**

(54) **MASSAGE CHAIR**

D456,154 S * 4/2002 Huynh et al. D6/336
D479,919 S * 9/2003 Genelli et al. D6/336

(75) **Inventor:** **Jeong Hoon Park, Seoul (KR)**

* cited by examiner

(73) **Assignee:** **Beaunix Co., Ltd.,
Choongchungnam-do (KR)**

Primary Examiner—Mimosa De
(74) *Attorney, Agent, or Firm*—Ladas & Parry LLP

(**) **Term:** **14 Years**

(57) **CLAIM**

(21) **Appl. No.:** **29/212,354**

The ornamental design for massage chair, as shown and described.

(22) **Filed:** **Aug. 31, 2004**

(30) **Foreign Application Priority Data**

Mar. 19, 2004 (KR) 30-2004-0007936

(51) **LOC (7) Cl.** **06-01**

(52) **U.S. Cl.** **D6/336**

(58) **Field of Search** D6/334–336, 360,
D6/367, 500–502; D28/56, 61; 4/574.1,
622; 297/182, 188.01, 188.09, 243.21, 310

(56) **References Cited**

U.S. PATENT DOCUMENTS

D424,819 S * 5/2000 Galati et al. D6/336
D434,916 S * 12/2000 Galati et al. D6/336
D454,705 S * 3/2002 Long et al. D6/336
D455,017 S * 4/2002 Tran D6/336
D455,566 S * 4/2002 Park D6/336

DESCRIPTION

FIG. 1 is a perspective view of massage chair according to my new design;
FIG. 2 is a front view of massage chair according to my new design;
FIG. 3 is a rear view of massage chair according to my new design;
FIG. 4 is a left side view of massage chair according to my new design;
FIG. 5 is a right side view of massage chair according to my new design;
FIG. 6 is a top plan view of massage chair according to my new design; and,
FIG. 7 is a bottom view of massage chair according to my new design.

1 Claim, 7 Drawing Sheets

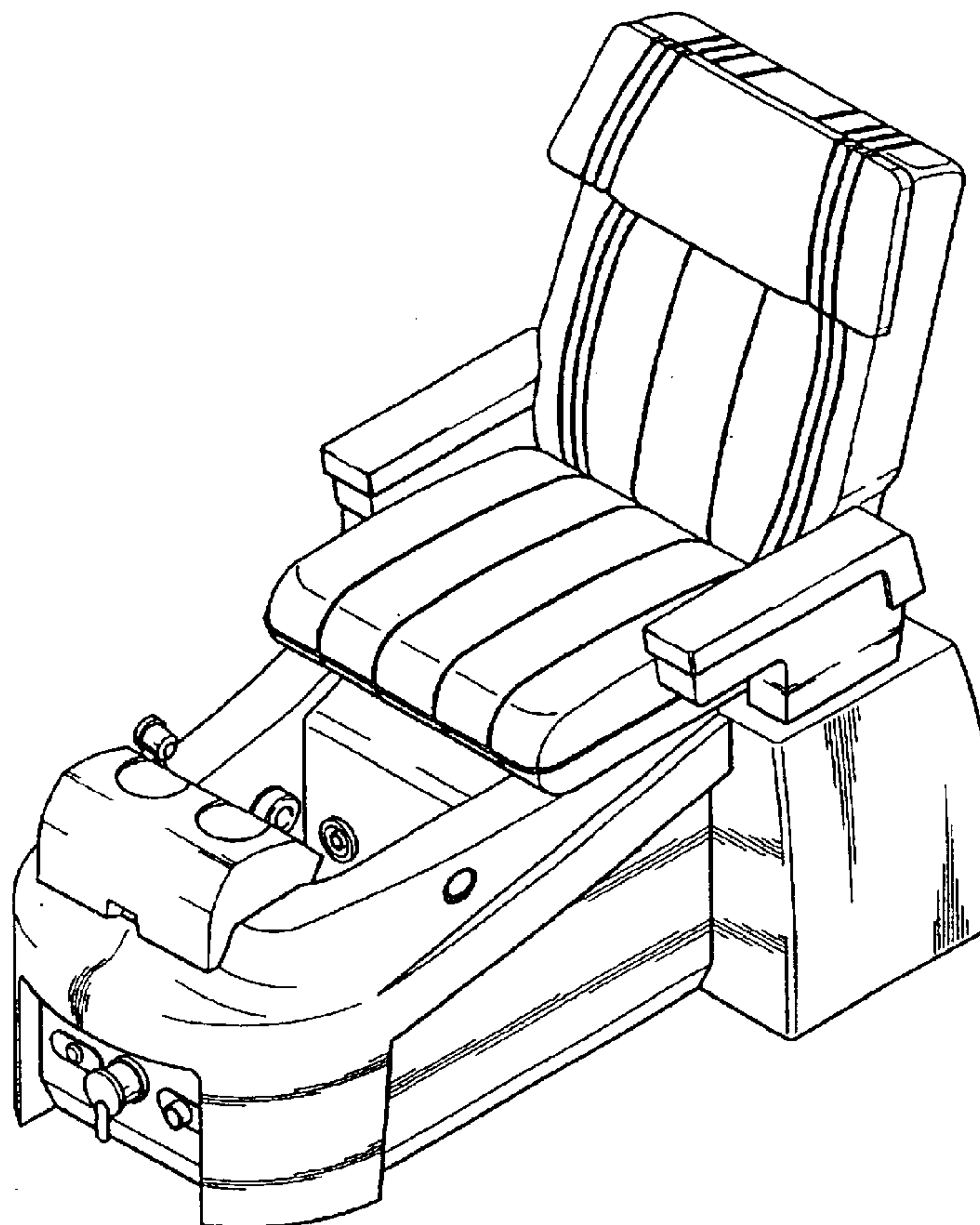


Fig. 1

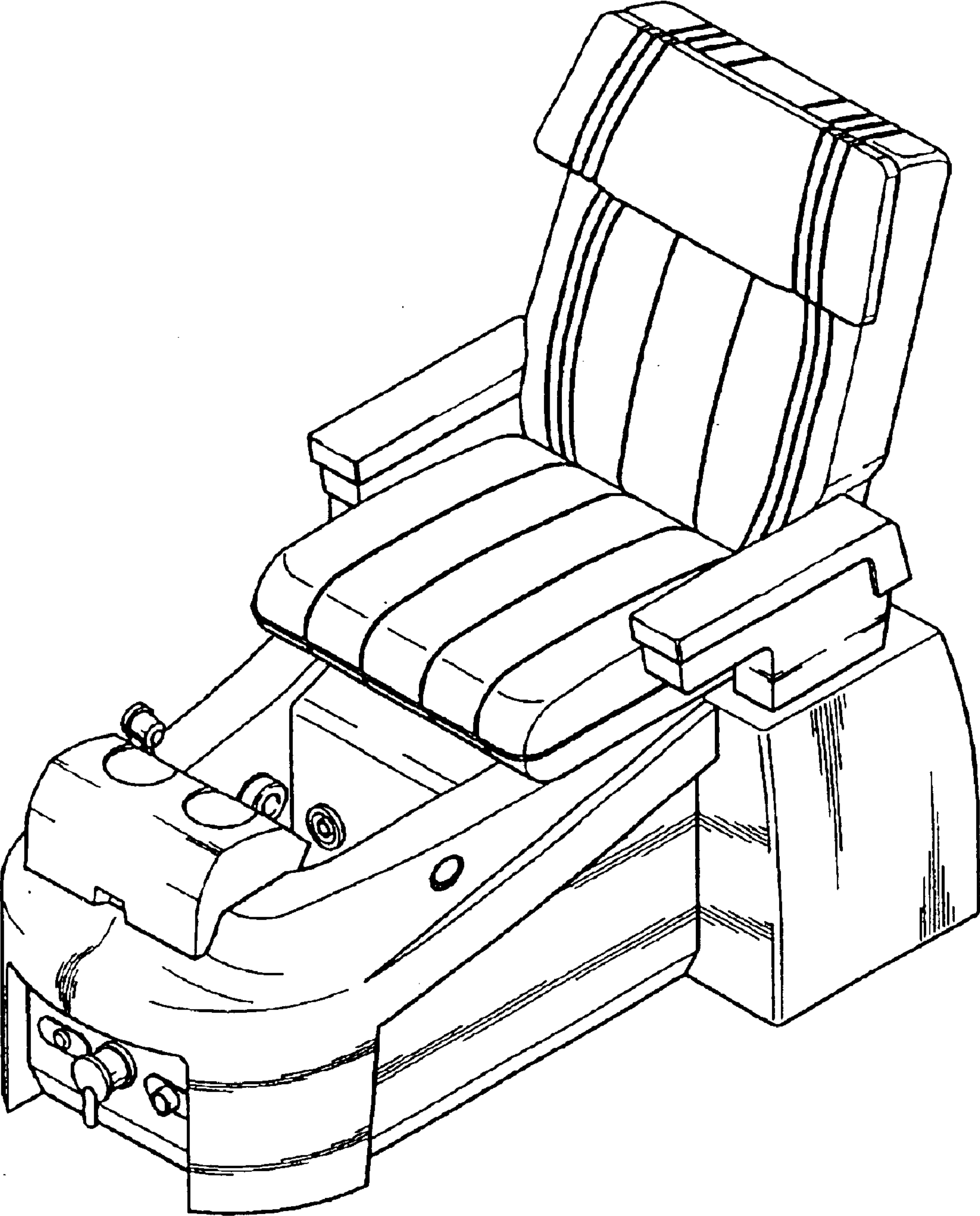


Fig. 2

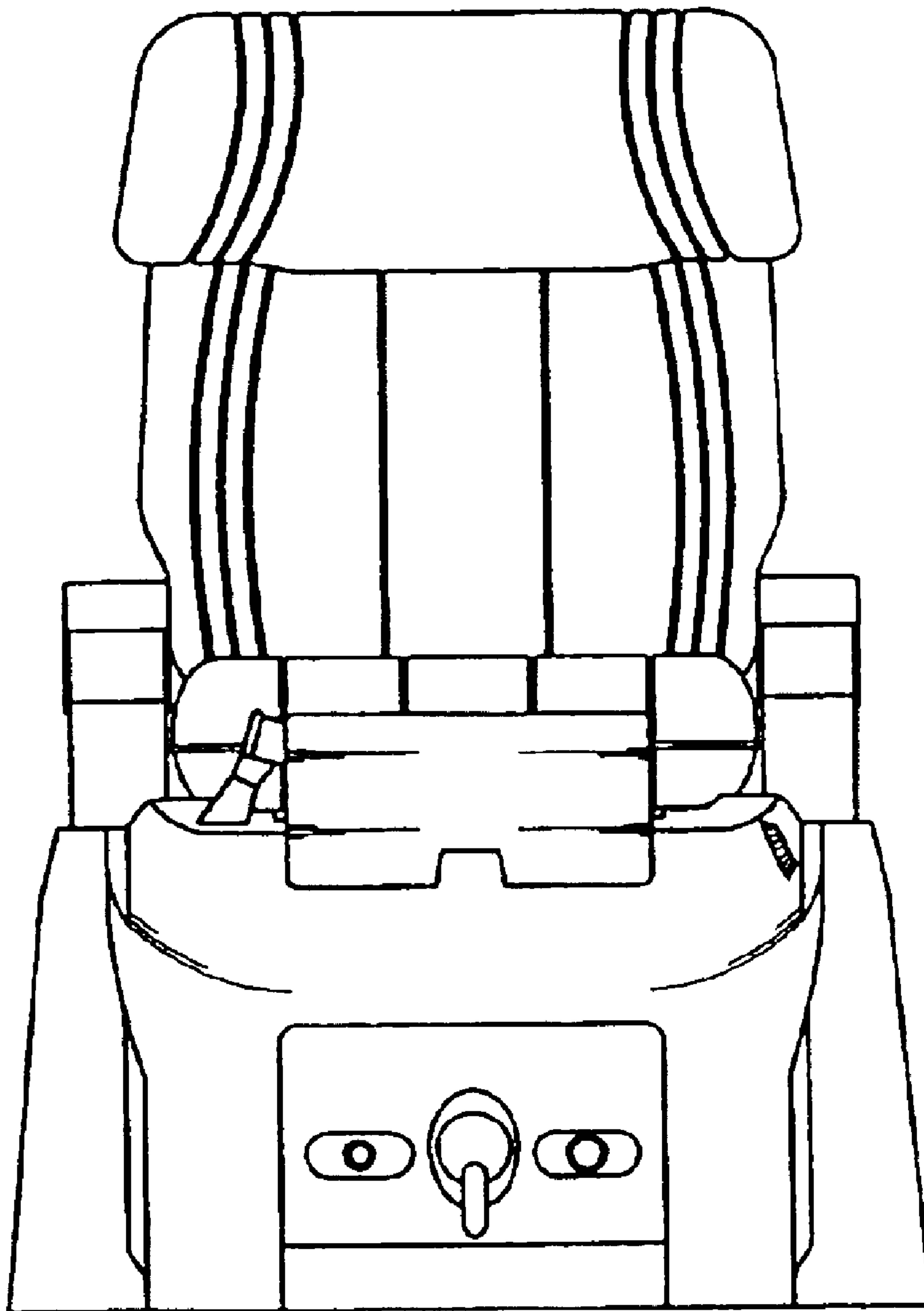


Fig. 3

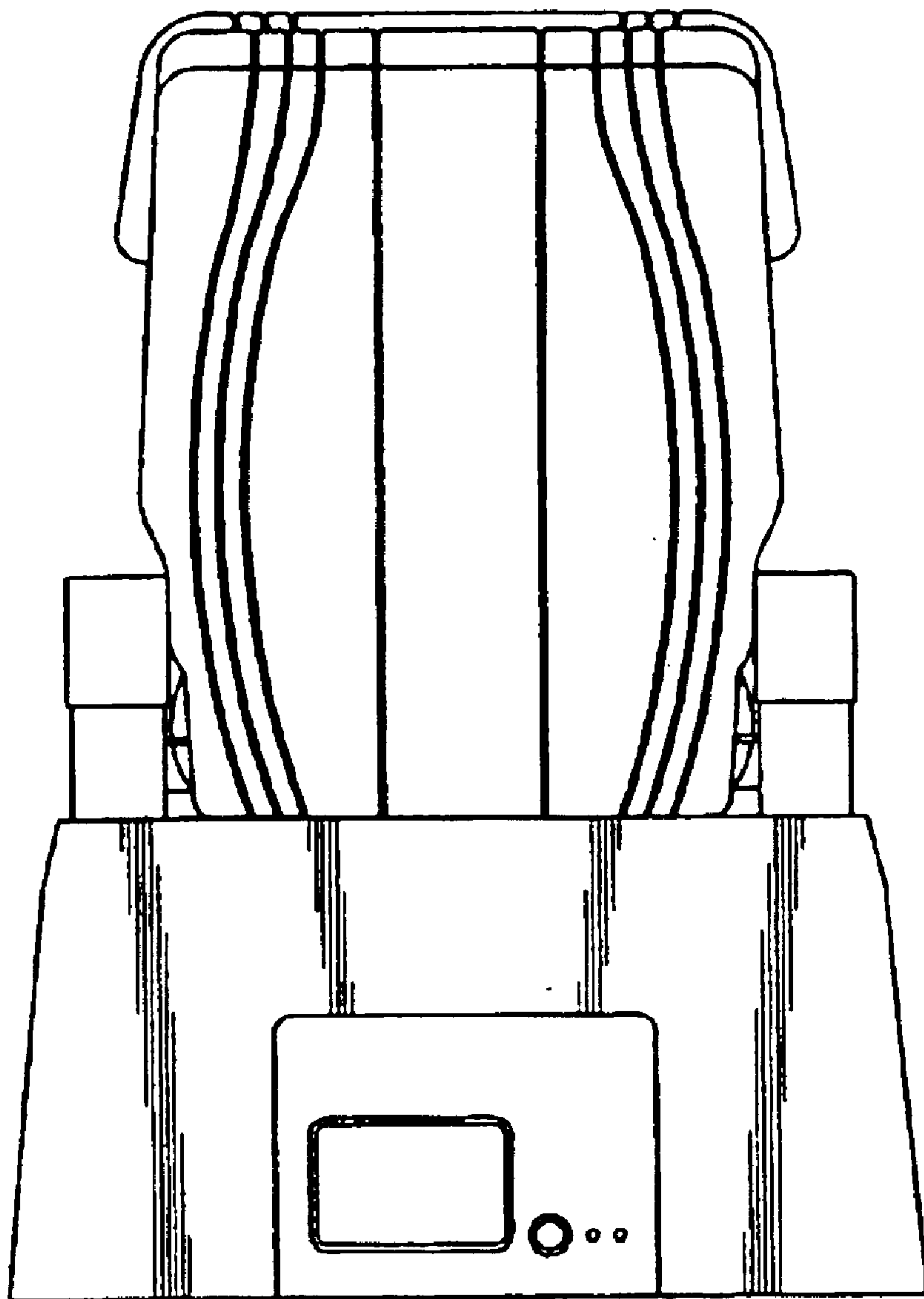


Fig. 4

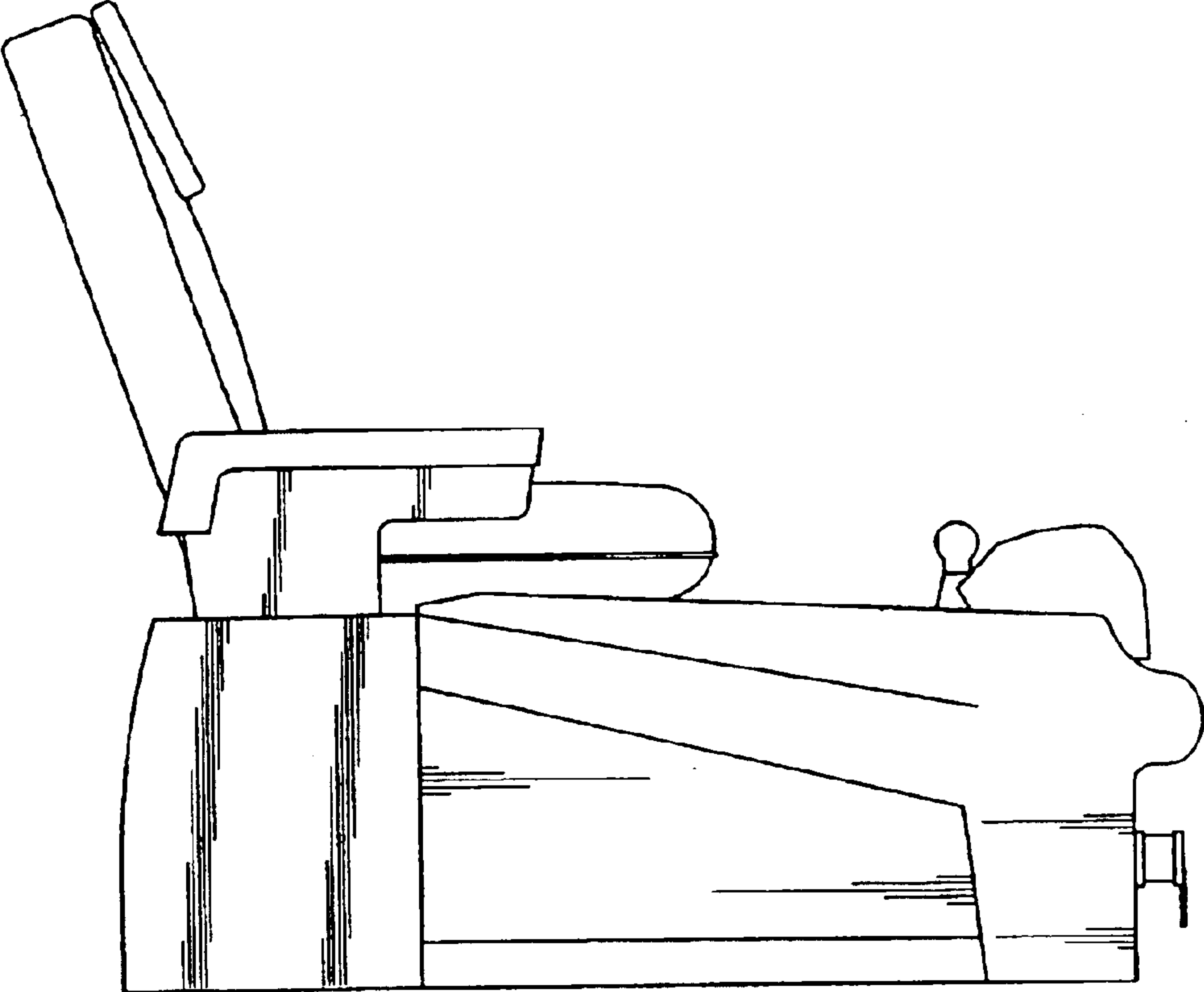


Fig. 5

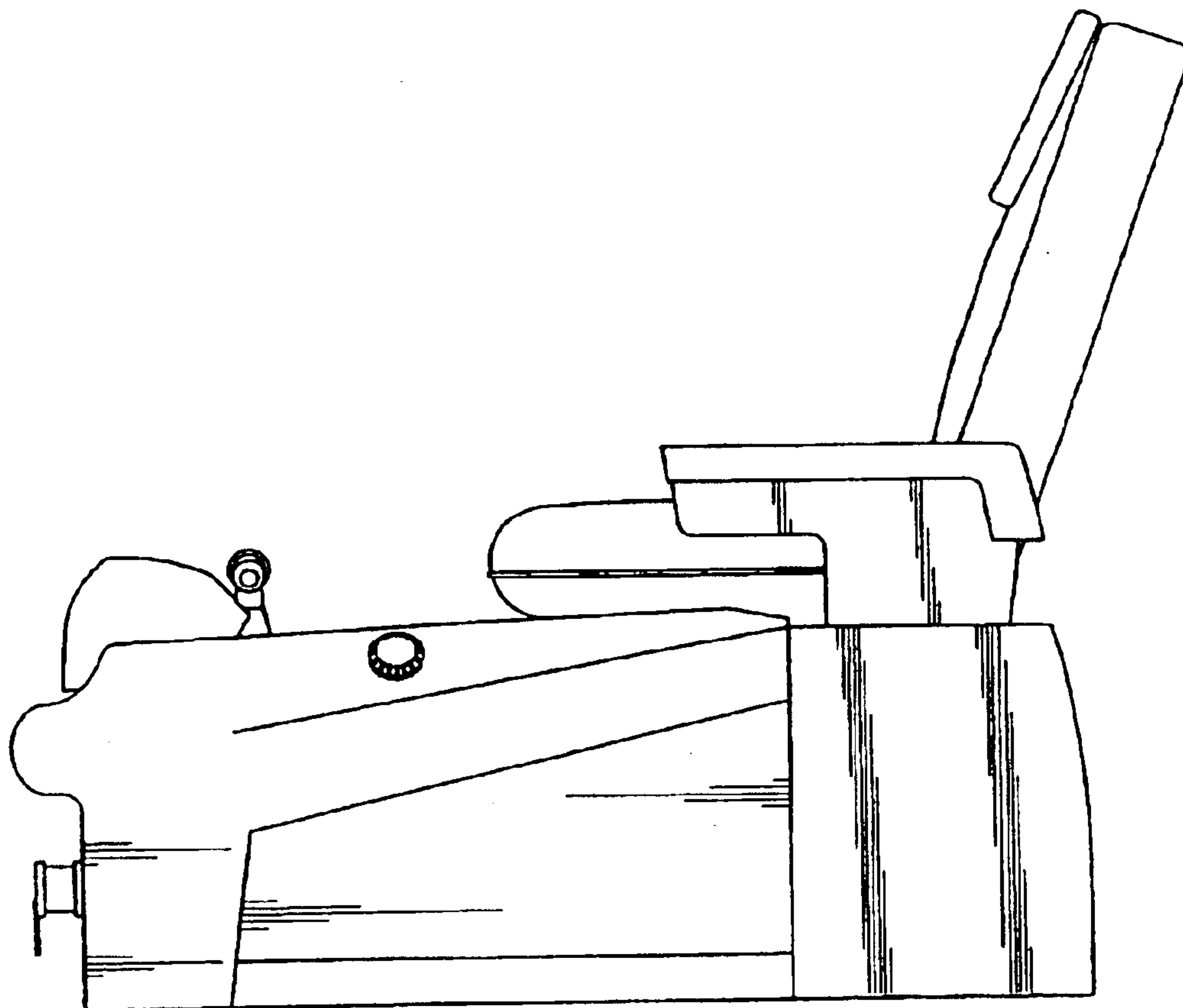


Fig. 6

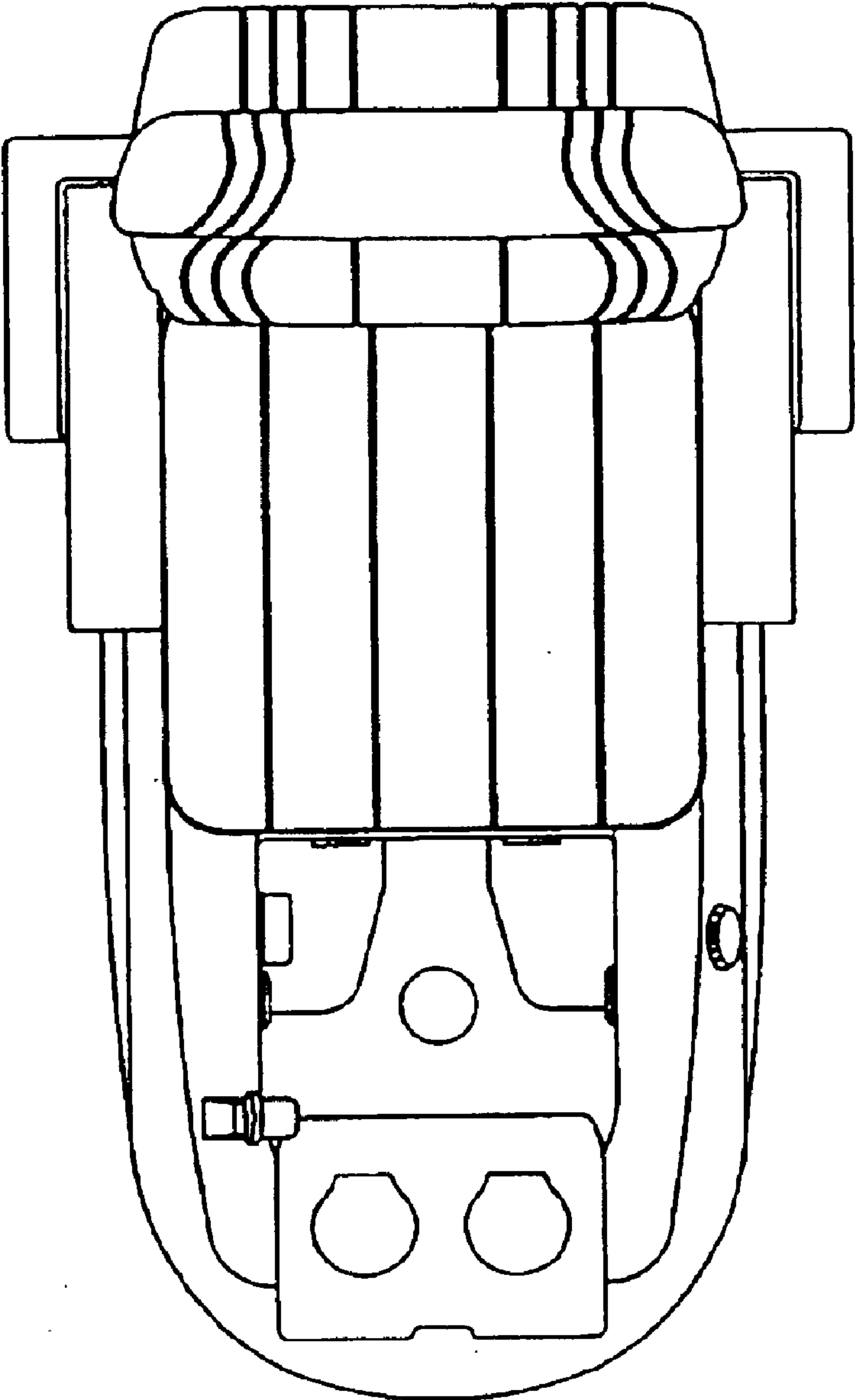


Fig. 7

