

US00D504781S

(12) **United States Design Patent**
Suzuki et al.

(10) **Patent No.:** **US D504,781 S**
(45) **Date of Patent:** **** May 10, 2005**

(54) **SEAT**

(75) Inventors: **Masaru Suzuki**, Brooklyn, NY (US);
Jennifer Hutton, New York, NY (US)

(73) Assignee: **Donghia Furniture/Textiles Ltd.**, New York, NY (US)

(**) Term: **14 Years**

(21) Appl. No.: **29/200,011**

(22) Filed: **Feb. 23, 2004**

(51) **LOC (7) Cl.** **06-01**

(52) **U.S. Cl.** **D6/334; D6/361**

(58) **Field of Search** **D6/334-336, 361,**
D6/367, 368, 500-502; 297/445.1, 446.1,
447.1

(56) **References Cited**

U.S. PATENT DOCUMENTS

D335,035 S	*	4/1993	Floyd	D6/361
D359,856 S		7/1995	Hutton	D6/334
D373,257 S		9/1996	Hutton	D6/381
D379,269 S		5/1997	Hutton	D6/334
D383,006 S		9/1997	Hutton	D6/334
D403,167 S		12/1998	Hutton	D6/334
D404,212 S		1/1999	Hutton	D6/381
D423,244 S		4/2000	Hutton	D6/381
D431,117 S	*	9/2000	Hutton	D6/334
D437,141 S		2/2001	Hutton	D6/381

D437,502 S		2/2001	Hutton	D6/381
D439,752 S	*	4/2001	Natuzzi et al.	D6/334
D446,029 S		8/2001	Hutton	D6/334
D480,567 S	*	10/2003	Ricci	D6/334

* cited by examiner

Primary Examiner—Robert M. Spear

Assistant Examiner—Vy Nguyen

(74) *Attorney, Agent, or Firm*—Heslin Rothenberg Farley & Mesiti P.C.

(57) **CLAIM**

The ornamental design for the seat, as shown and described.

DESCRIPTION

FIG. 1 is a perspective view of a seat accordance with the new design;

FIG. 2 is a top elevational view thereof;

FIG. 3 is a front elevational view thereof;

FIG. 4 is a side elevational view thereof;

FIG. 5 is a back elevational view there;

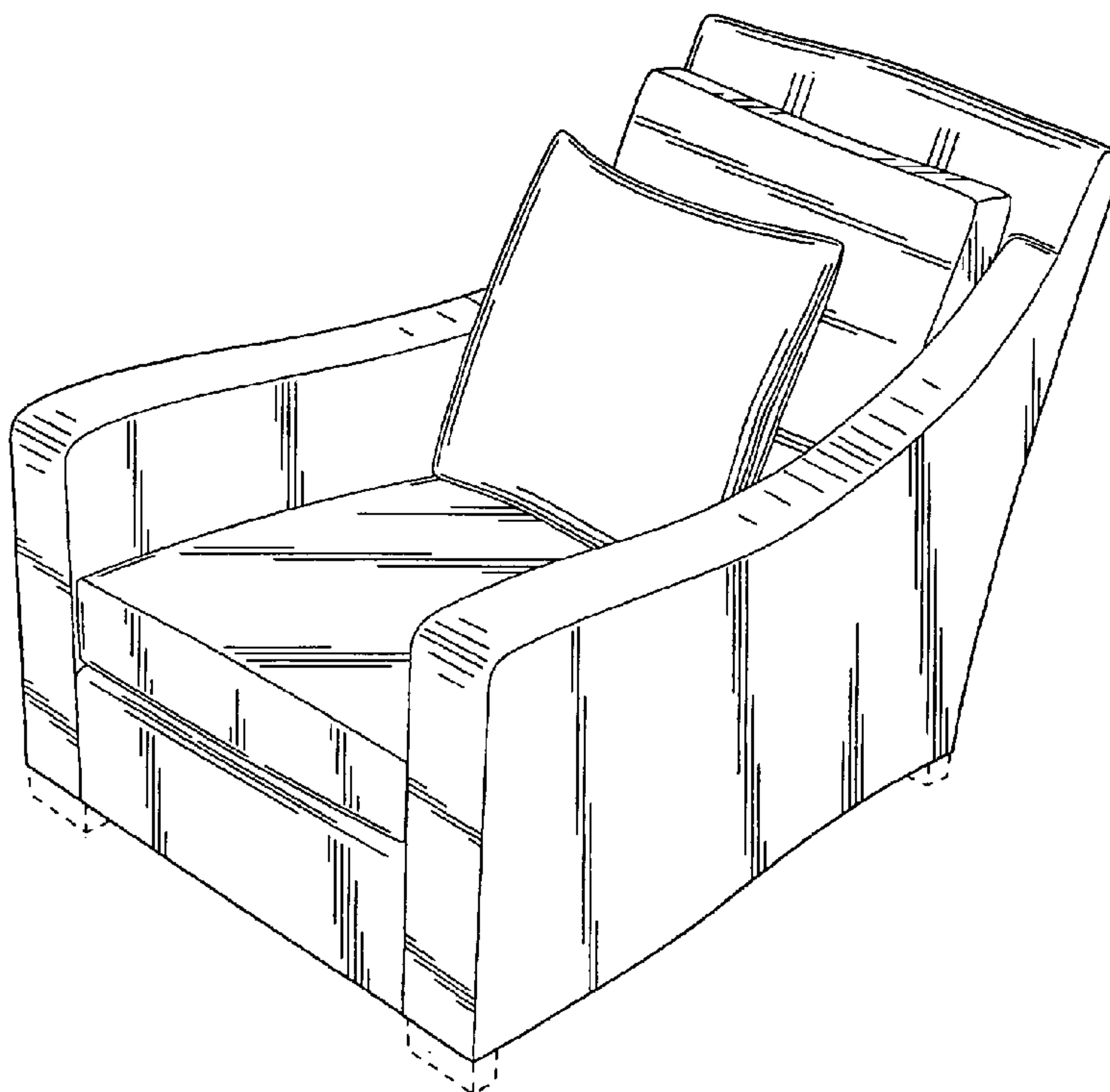
FIG. 6 is a perspective view showing an alternative embodiment of said new design;

FIG. 7 is a front elevational view of an alternative embodiment of said new design having an indeterminate width; and,

FIG. 8 is a front elevational view of an alternative embodiment of said new design.

The broken lines in the figures are for illustrative purposes only and form no part of the claimed invention.

1 Claim, 8 Drawing Sheets



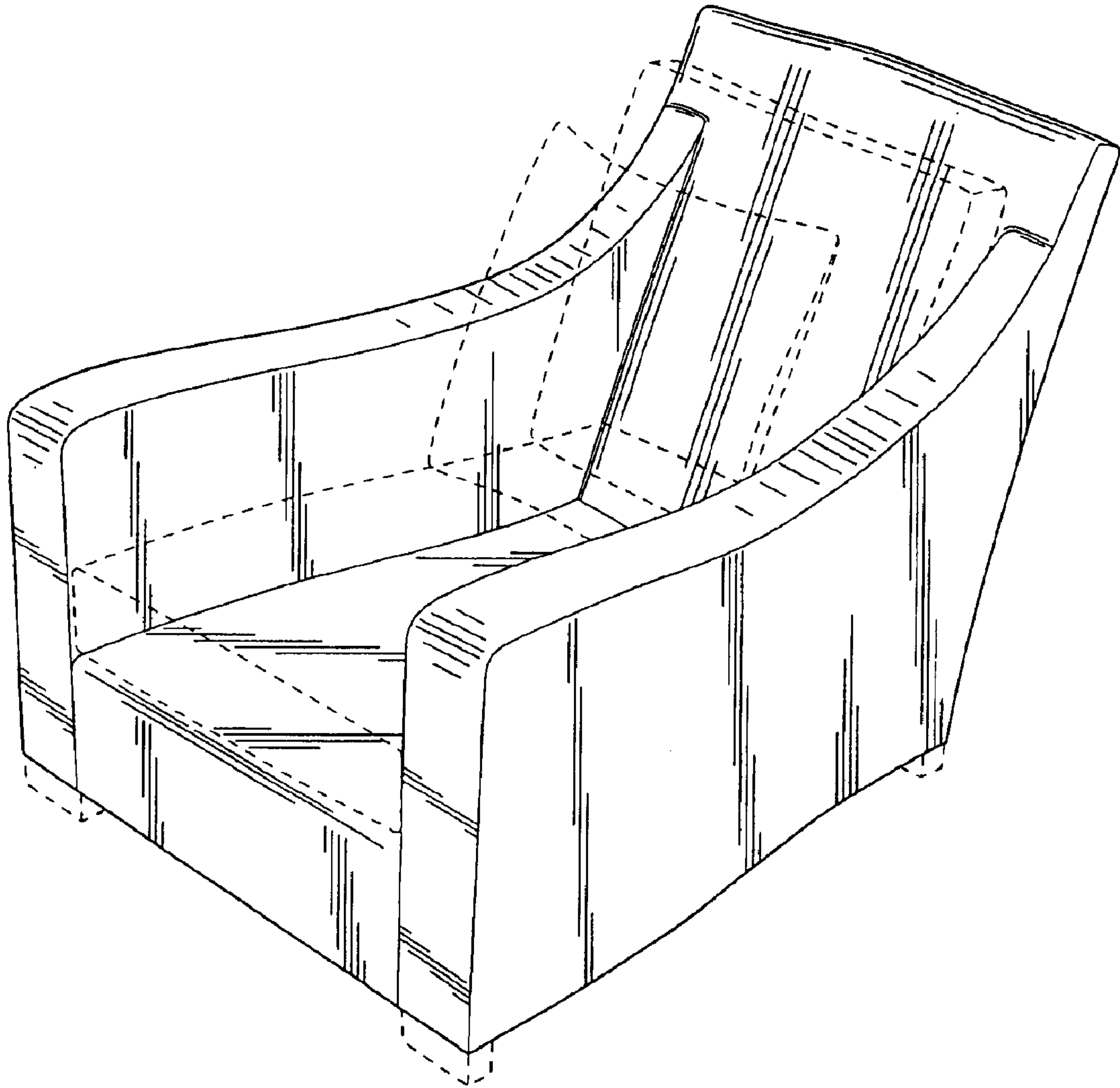


FIG. 1

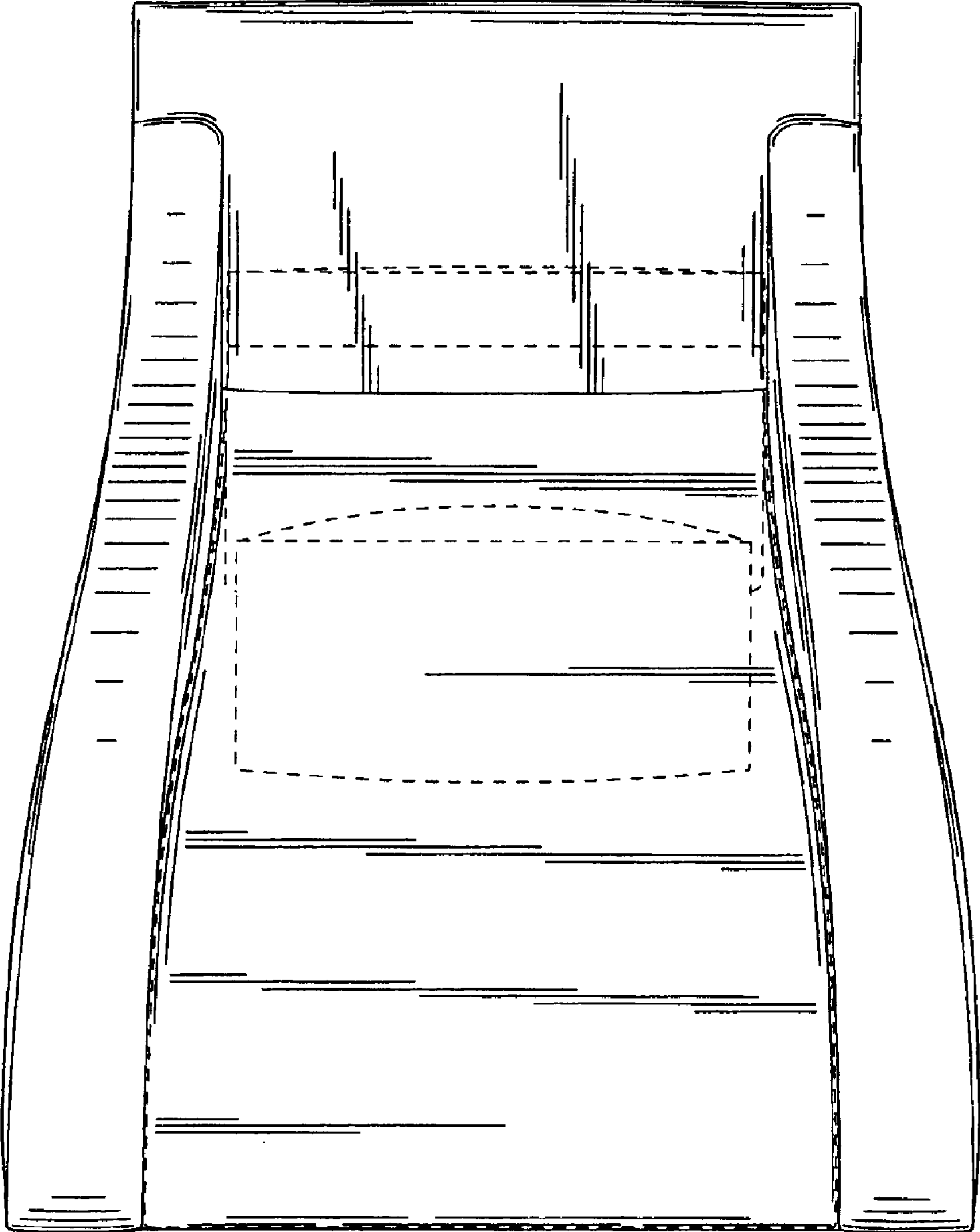


FIG. 2

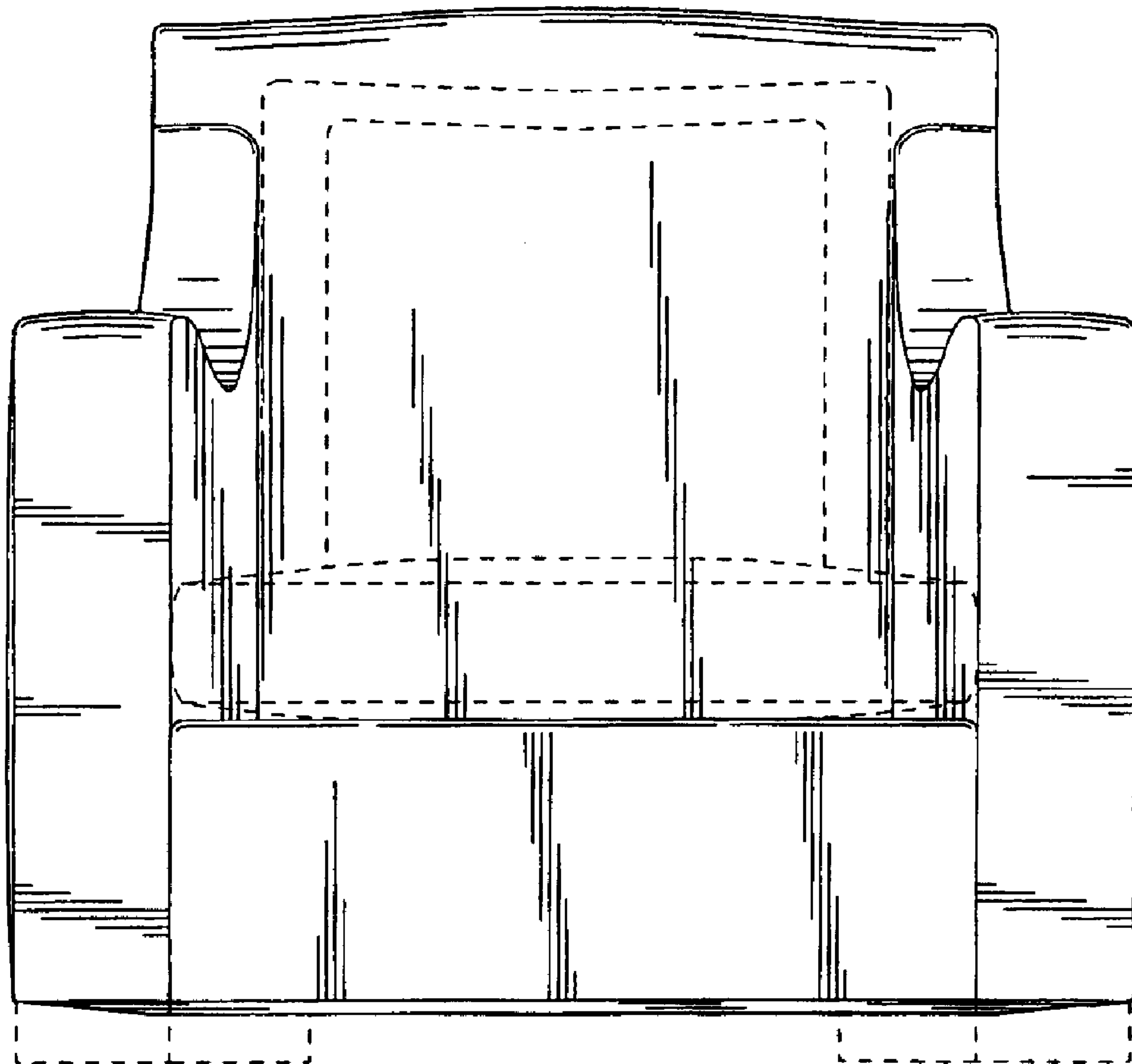


FIG. 3

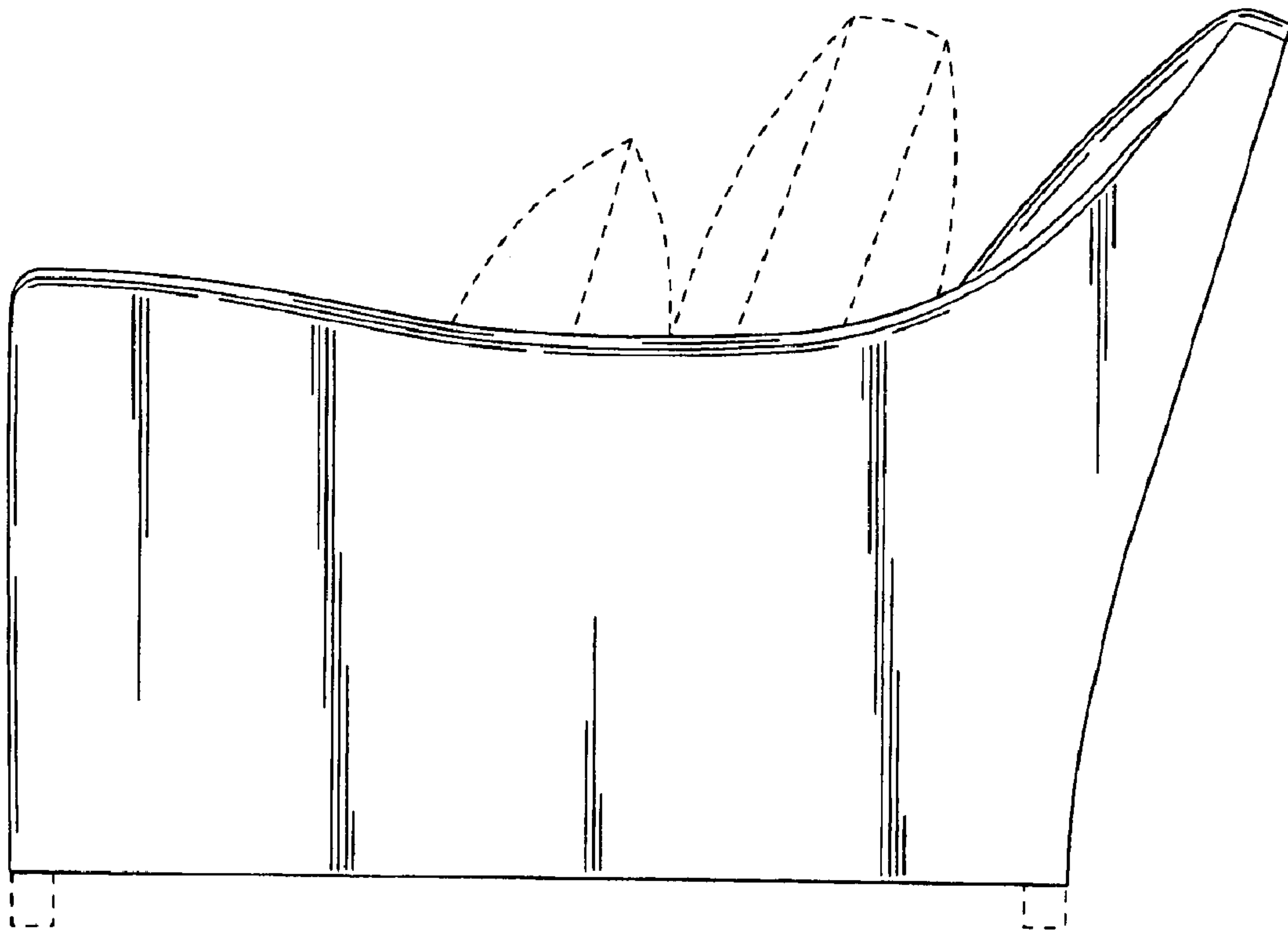


FIG. 4

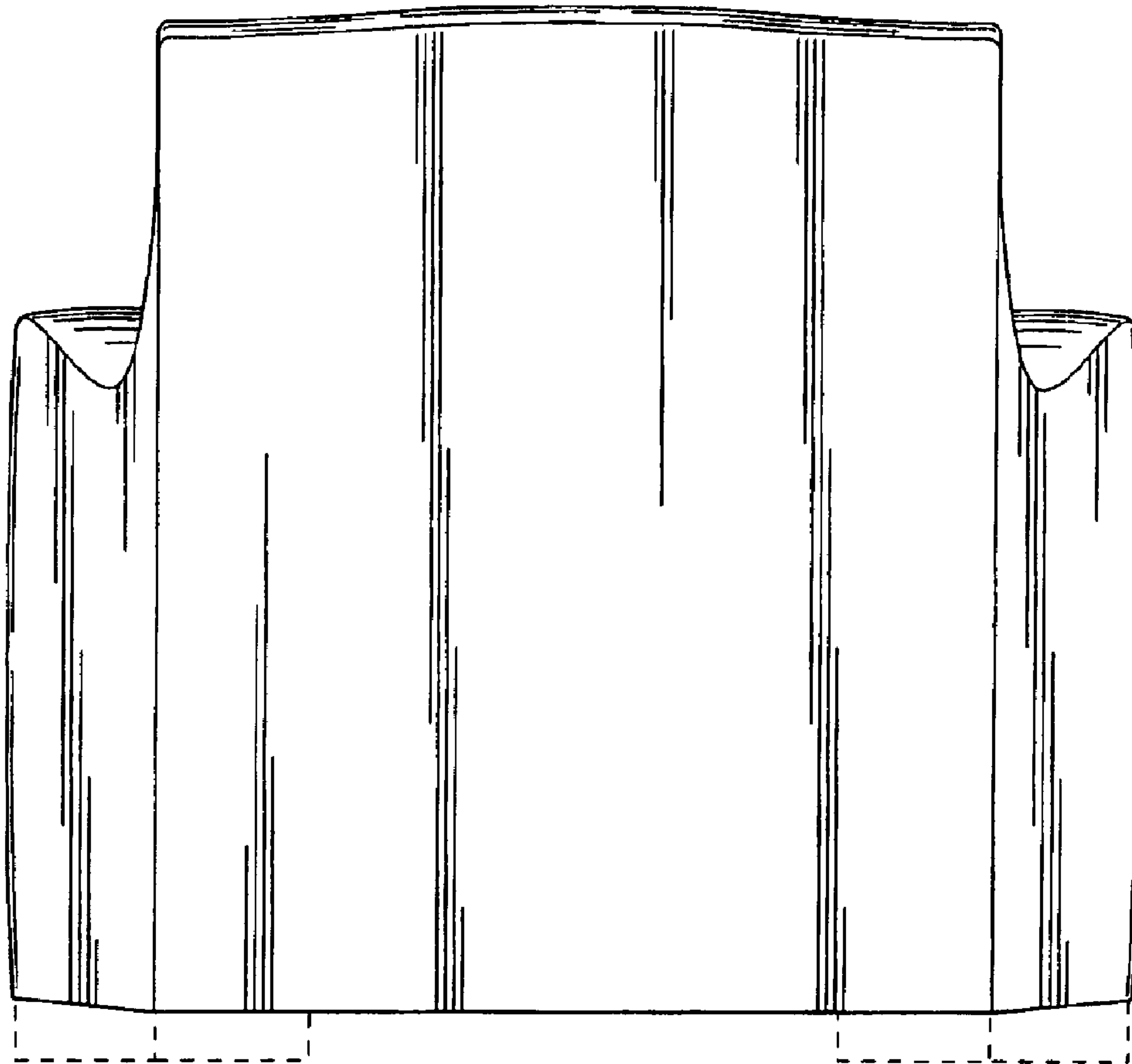


FIG. 5

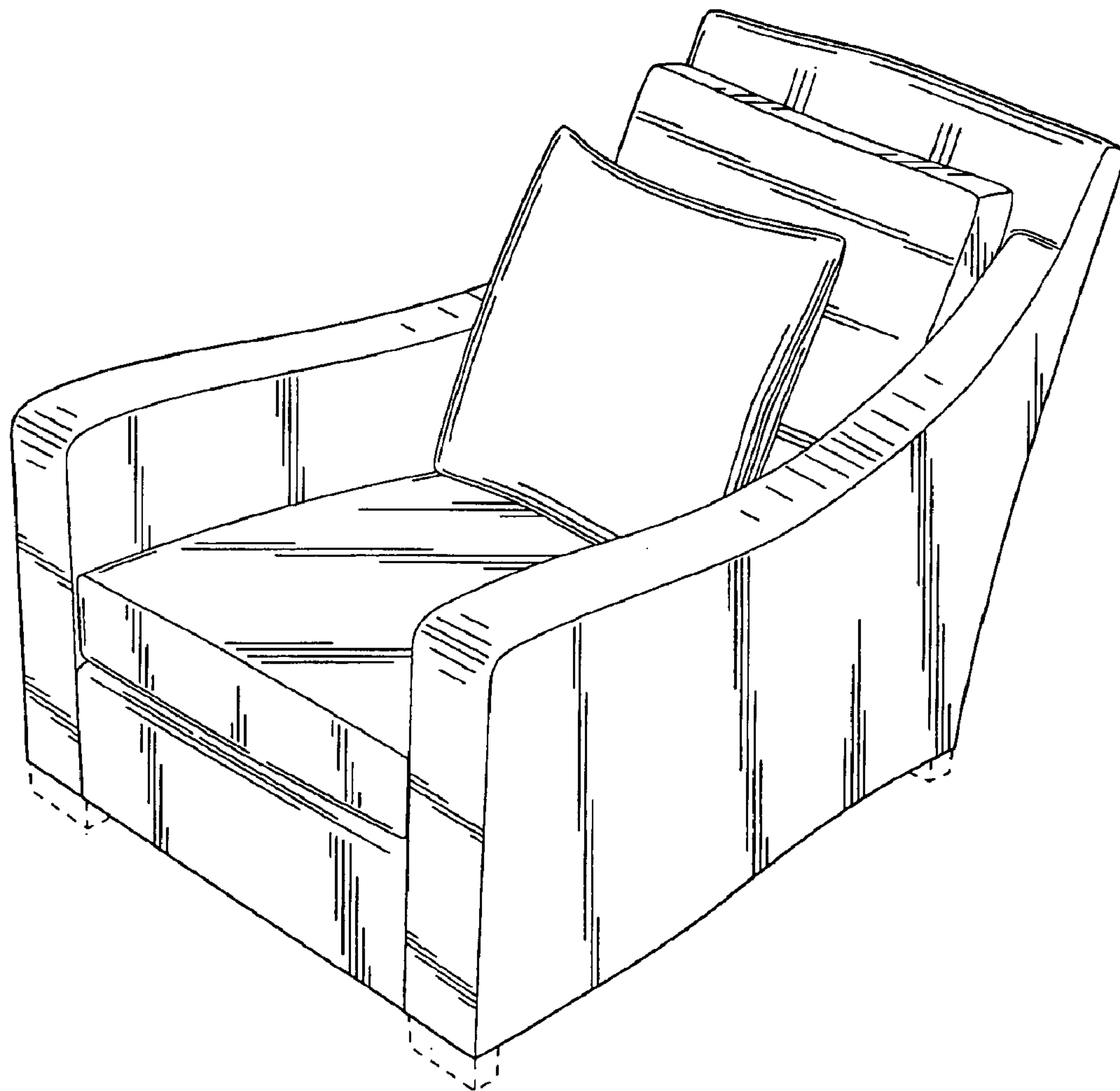


FIG. 6

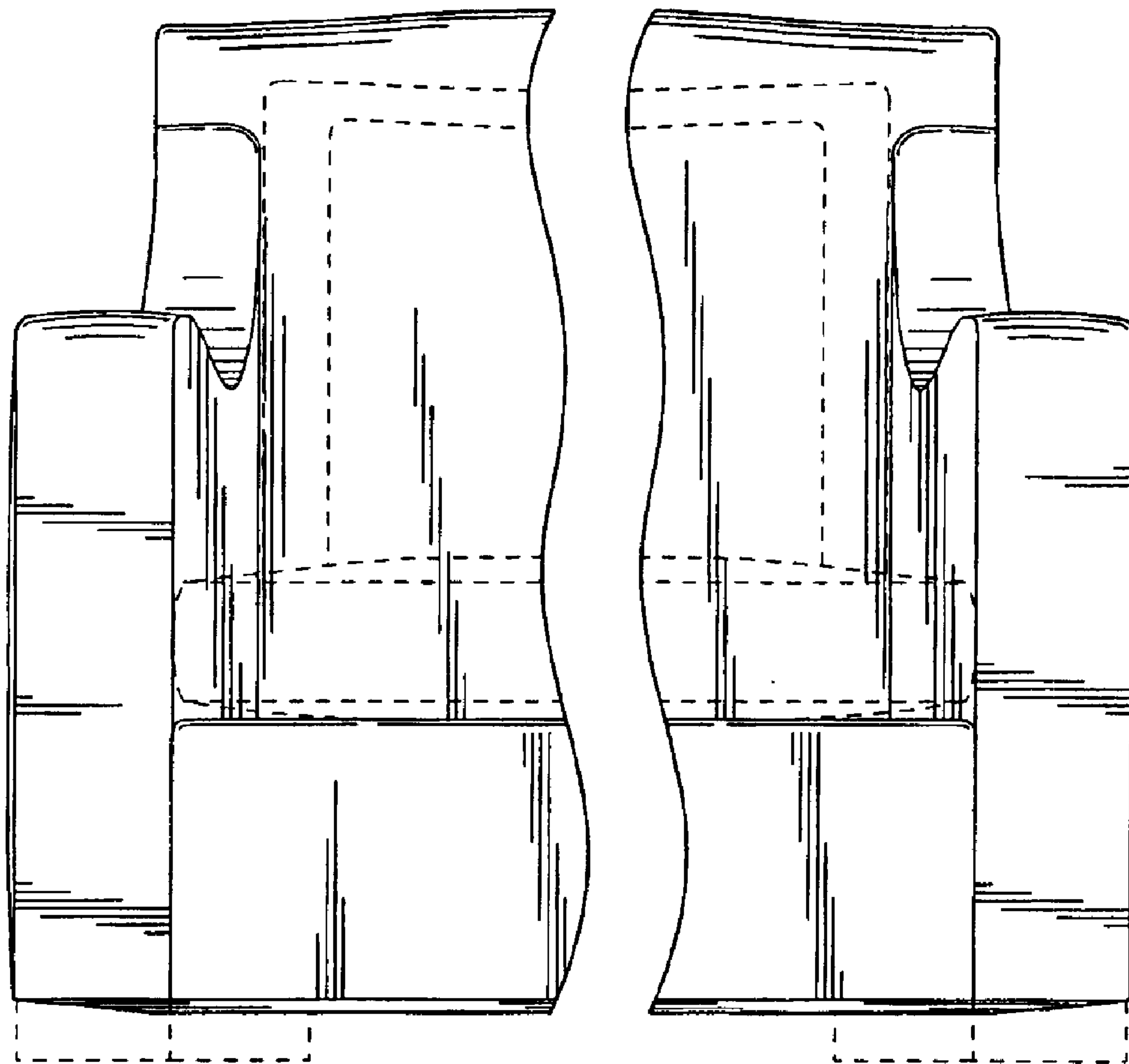


FIG. 7

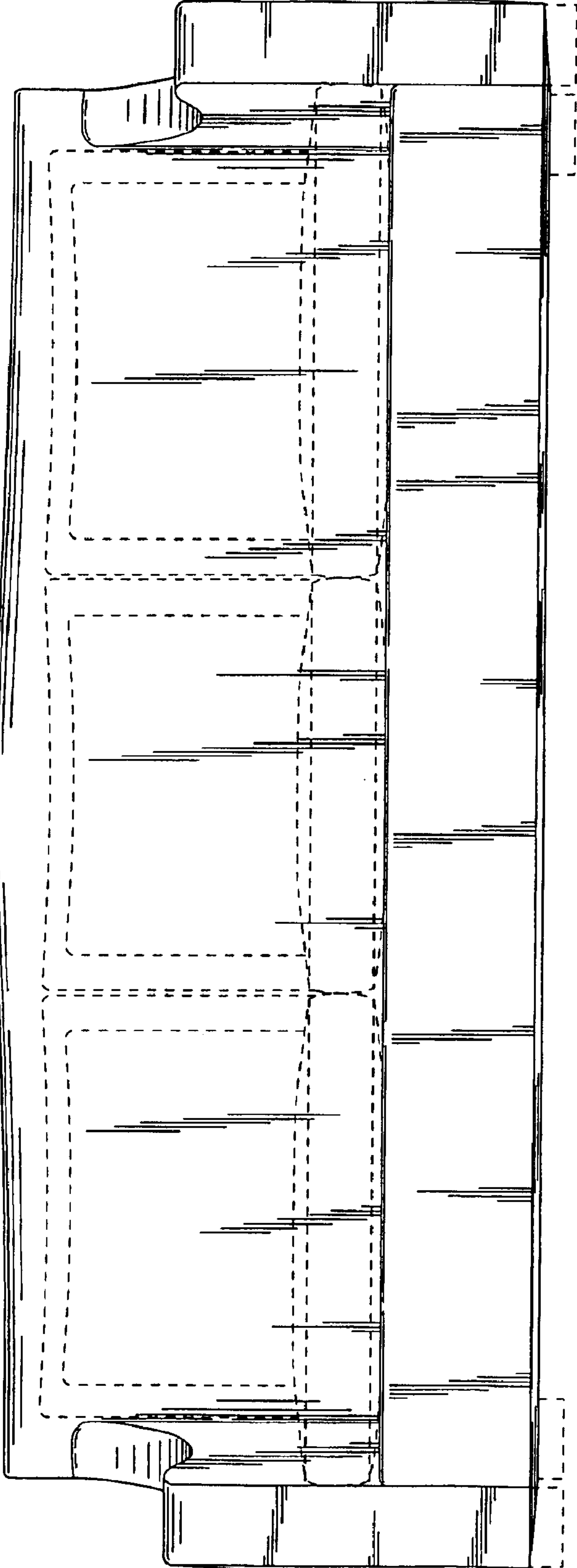


FIG. 8