



US00D504777S

(12) **United States Design Patent**
Gartner

(10) **Patent No.:** **US D504,777 S**

(45) **Date of Patent:** **** May 10, 2005**

(54) **PAD PAINTER**

(75) **Inventor:** **Perry Gartner**, Englewood, NJ (US)

(73) **Assignee:** **Brenner International Corp.**

(**) **Term:** **14 Years**

(21) **Appl. No.:** **29/198,295**

(22) **Filed:** **Jan. 27, 2004**

(51) **LOC (7) Cl.** **04-04**

(52) **U.S. Cl.** **D4/137; D4/138; D32/52**

(58) **Field of Search** D4/137, 138, 199;
D8/90, 94; D32/52; 15/143.1, 104.93, 104.94,
208, 209.1, 210.1, 210.5, 229.13, 235.4,
244.1; 451/344, 490, 523, 524, 526

(56) **References Cited**

U.S. PATENT DOCUMENTS

227,438 A * 5/1880 Lothrop 451/524 X
D198,563 S * 7/1964 Burns et al. D4/137
5,134,745 A * 8/1992 Burns et al. 15/210.1
5,678,277 A * 10/1997 Sorenson 15/210.1

D394,958 S * 6/1998 Polzin et al. D4/137
5,823,862 A * 10/1998 Heidelberger 451/344

* cited by examiner

Primary Examiner—Alan P. Douglas

Assistant Examiner—Lavone D. Tabor

(74) *Attorney, Agent, or Firm*—Richard A. Joel, Esq

(57) **CLAIM**

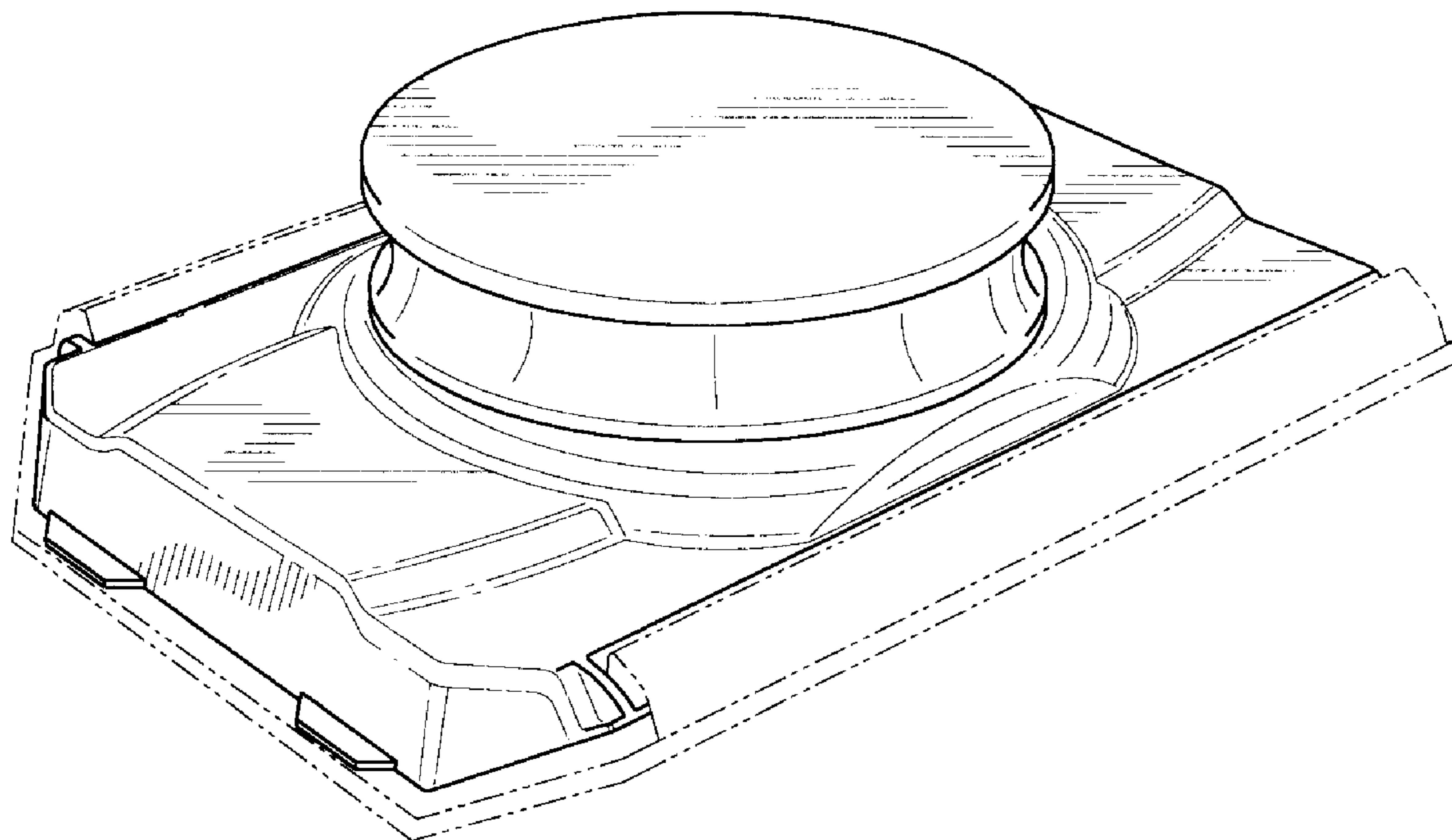
The ornamental design for a pad painter, as shown and described.

DESCRIPTION

FIG. 1 is a front perspective view of the invention;
FIG. 2 is a rear perspective view of the invention;
FIG. 3 is a side view of one side of the invention;
FIG. 4 is a top view of the invention;
FIG. 5 is a side view of the other side of the invention; and,
FIG. 6 is a front view of the invention.

The broken line structure shown in all of the views is for illustrative purposes only and forms no part of the claimed design.

1 Claim, 3 Drawing Sheets



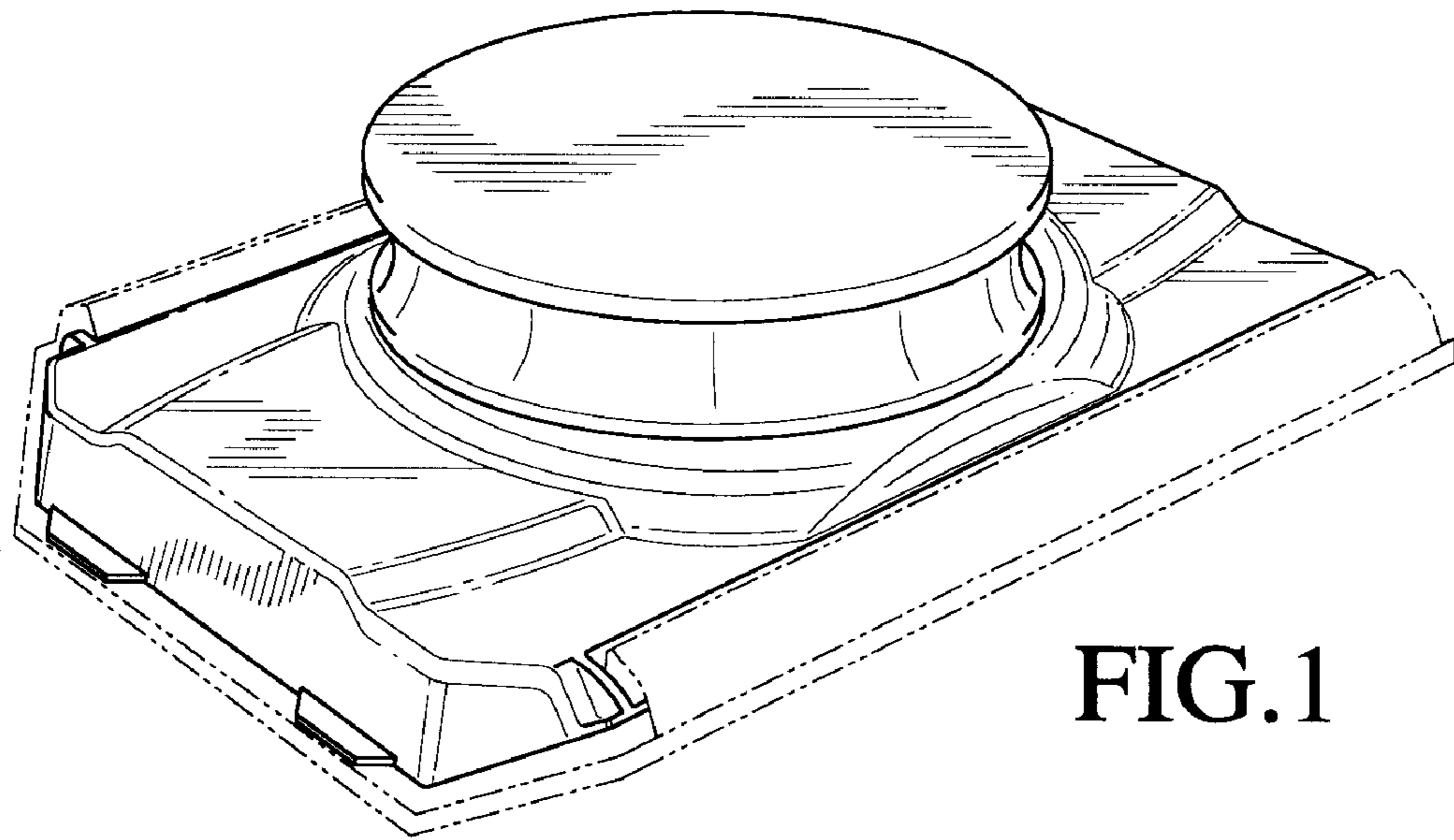


FIG. 1

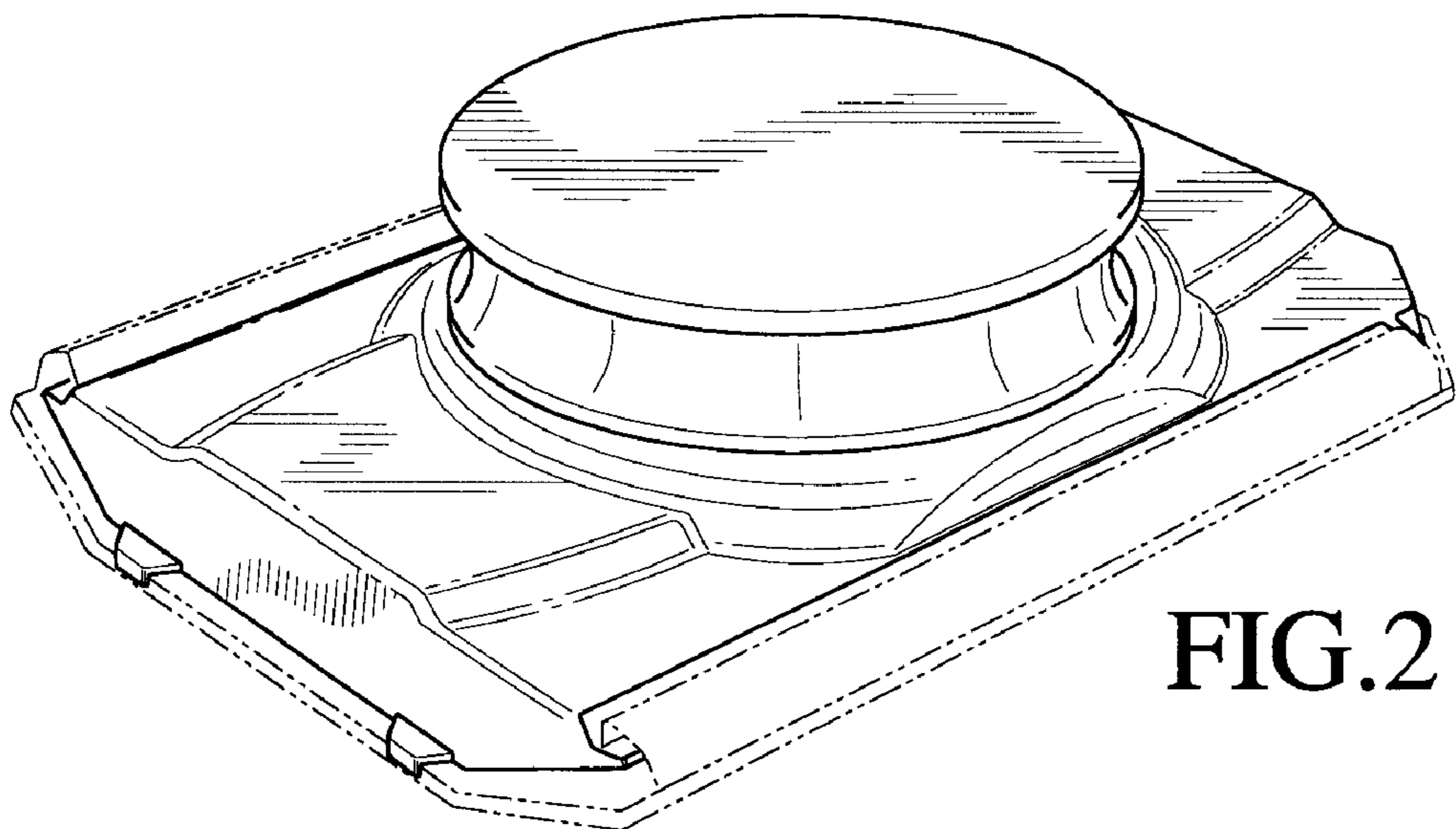


FIG. 2

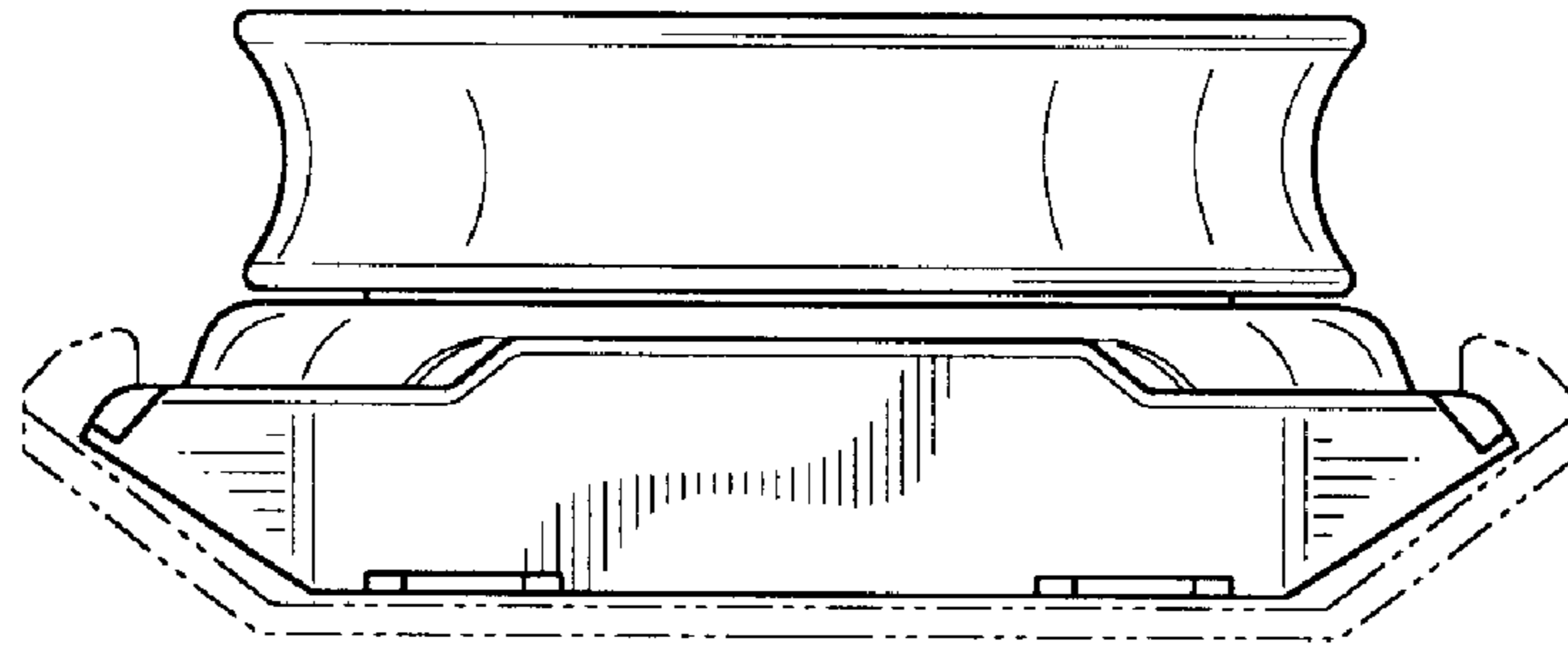
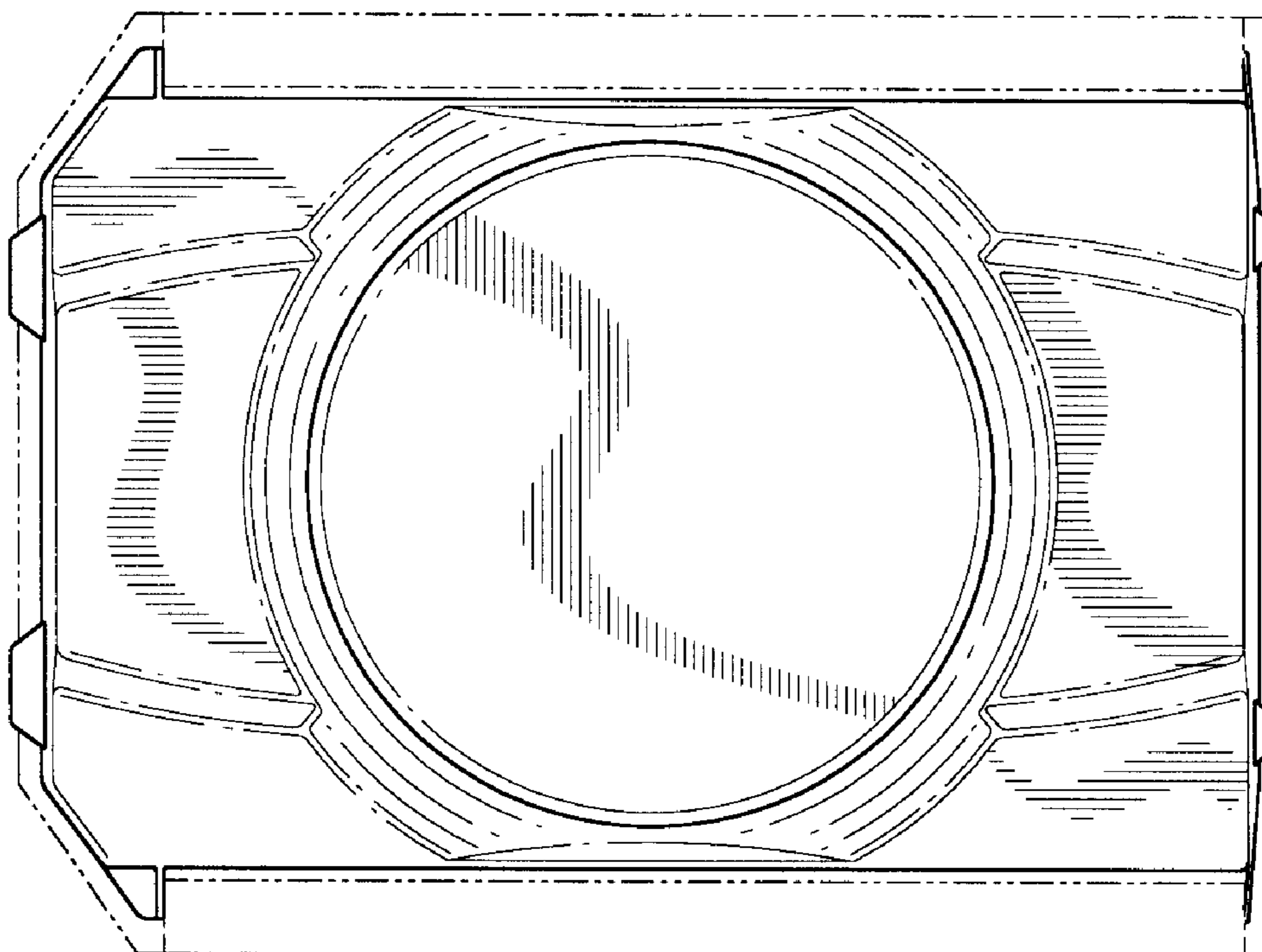


FIG. 3

FIG. 4



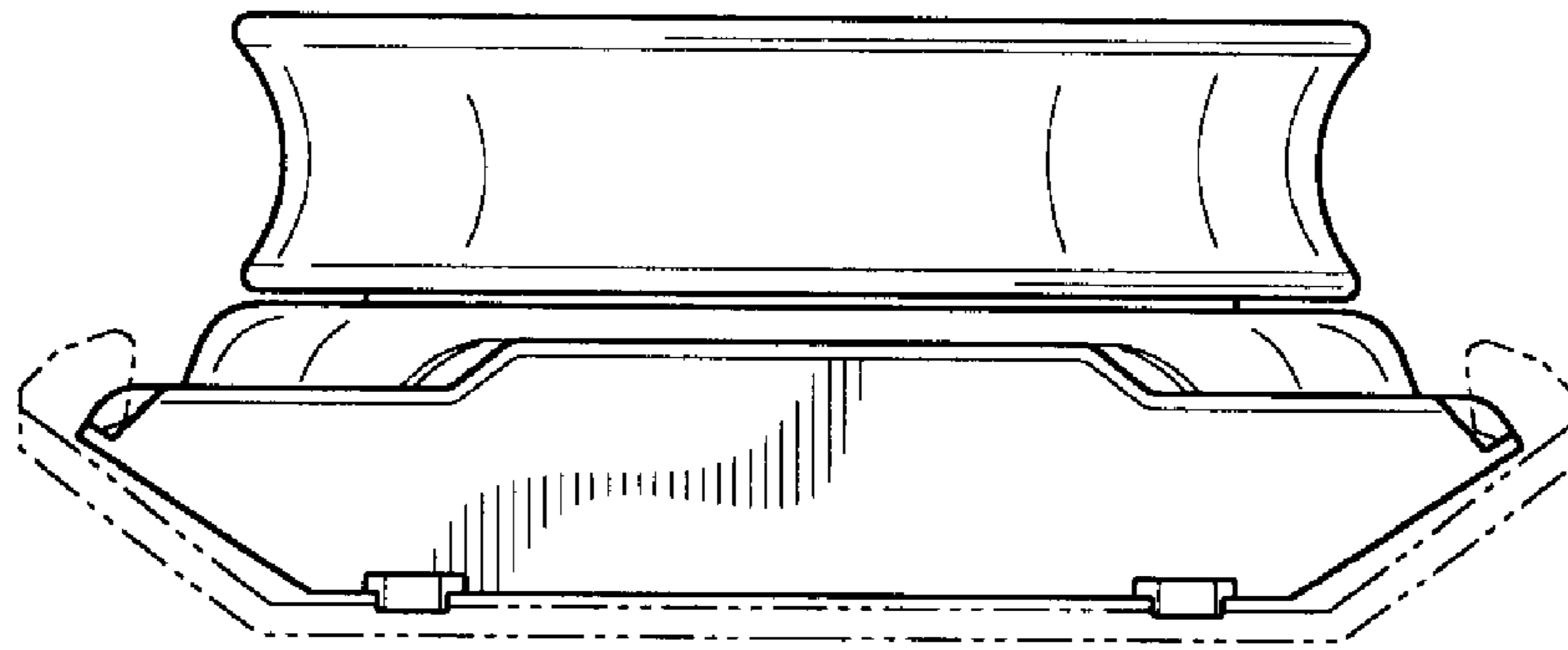


FIG. 5

FIG. 6

