

US00D504773S

(12) **United States Design Patent**
Lu

(10) **Patent No.:** **US D504,773 S**
(45) **Date of Patent:** **** May 10, 2005**

(54) **SUITCASE HANDLE**

(75) **Inventor:** **Line-Ching Lu, Miaoli Hsien (TW)**

(73) **Assignee:** **Ting Cheng Co., Ltd., Miaoli Hsien (TW)**

(**) **Term:** **14 Years**

(21) **Appl. No.:** **29/204,332**

(22) **Filed:** **Apr. 28, 2004**

(51) **LOC (7) Cl.** **03-01**

(52) **U.S. Cl.** **D3/318**

(58) **Field of Search** D3/279, 282, 318,
D3/328, 324; D8/302, 306, 316, 317, 319,
320; D34/24, 26; 190/18 A, 39, 102, 103,
111, 115; 280/37, 47, 26, 655, 655.1; 16/110.1,
113.1, 114.1, 405, 406, 408, 445, 421,
422, 429, 430, 431

(56) **References Cited**

U.S. PATENT DOCUMENTS

D393,746 S * 4/1998 Wang D3/318
D408,709 S * 4/1999 Wang D8/306

D440,482 S * 4/2001 Chang D8/319
6,338,400 B1 * 1/2002 Wu 190/39
D460,265 S * 7/2002 Chang D3/318
D471,715 S * 3/2003 Wu D3/318

* cited by examiner

Primary Examiner—Catherine R. Oliver

Assistant Examiner—Monica A. Weingart

(74) *Attorney, Agent, or Firm*—Alan D. Kamrath; Nikolai & Mersereau, P.A.

(57) **CLAIM**

The ornamental design for a suitcase handle, as shown and described.

DESCRIPTION

FIG. 1 is a perspective view of a suitcase handle showing my design;

FIG. 2 is a front elevational view thereof;

FIG. 3 is a rear elevational view thereof;

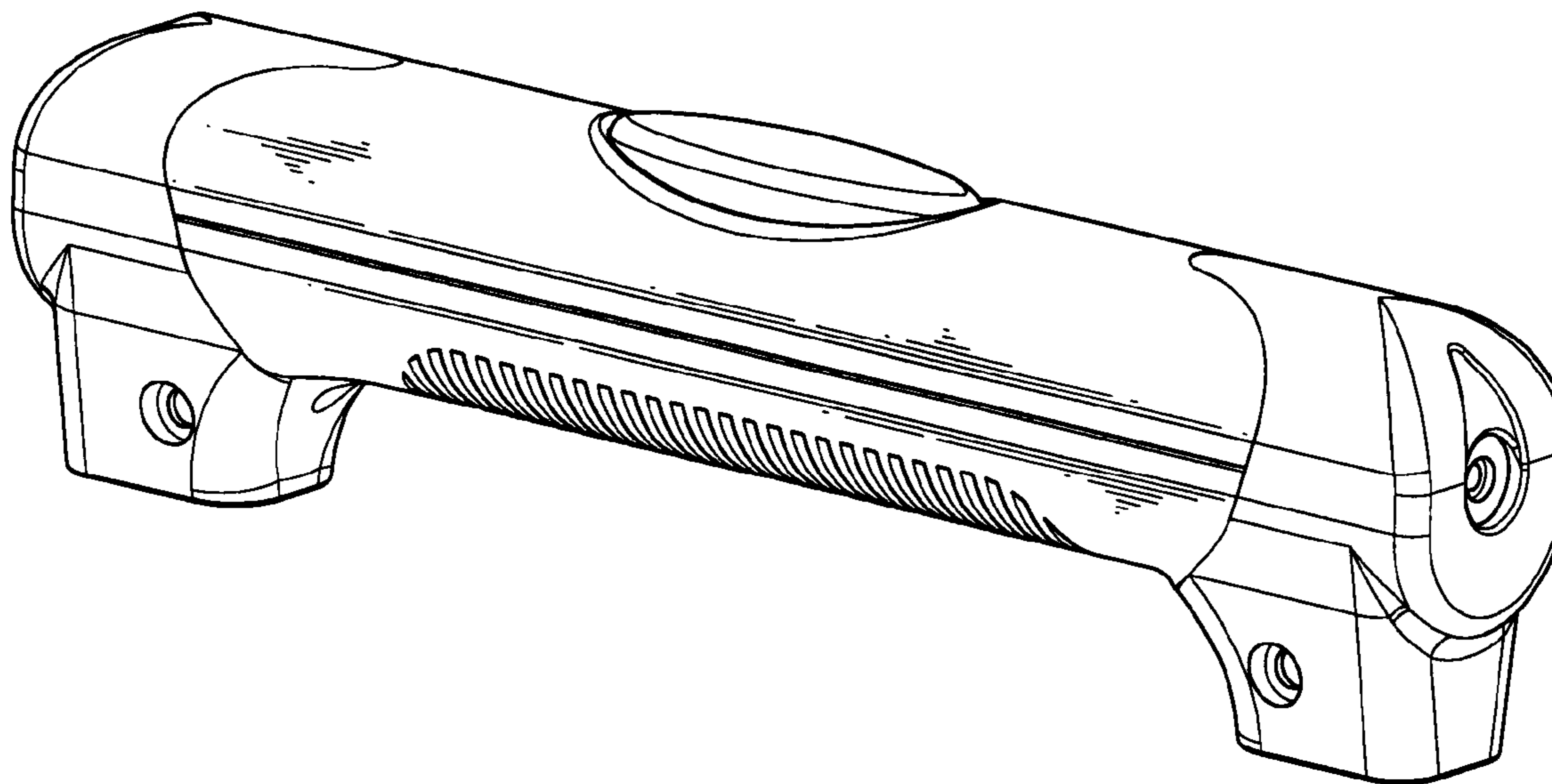
FIG. 4 is a left side elevational view thereof;

FIG. 5 is a right side elevational view thereof;

FIG. 6 is a top plan view thereof; and,

FIG. 7 is a bottom plan view thereof.

1 Claim, 4 Drawing Sheets



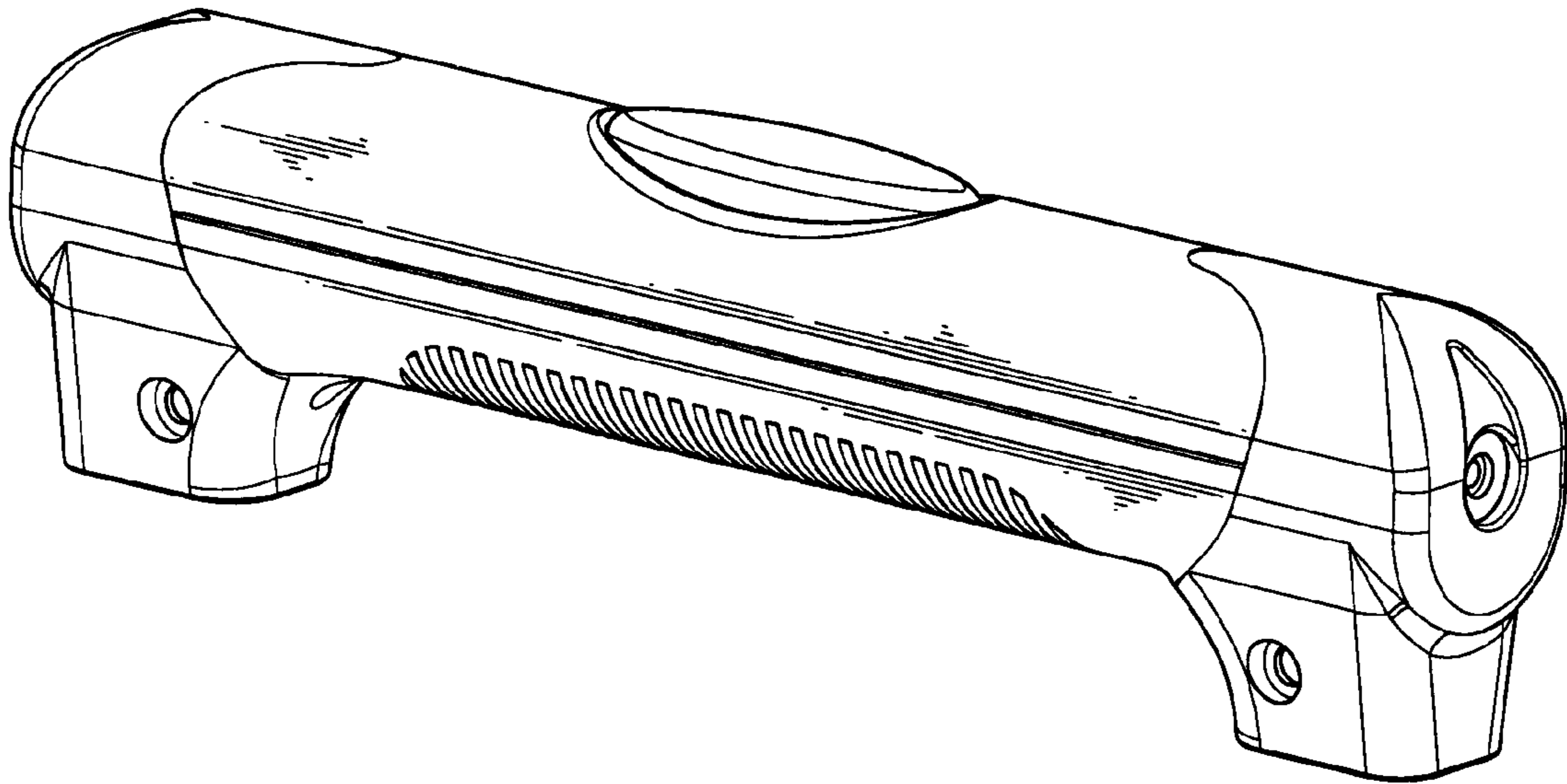


FIG. 1

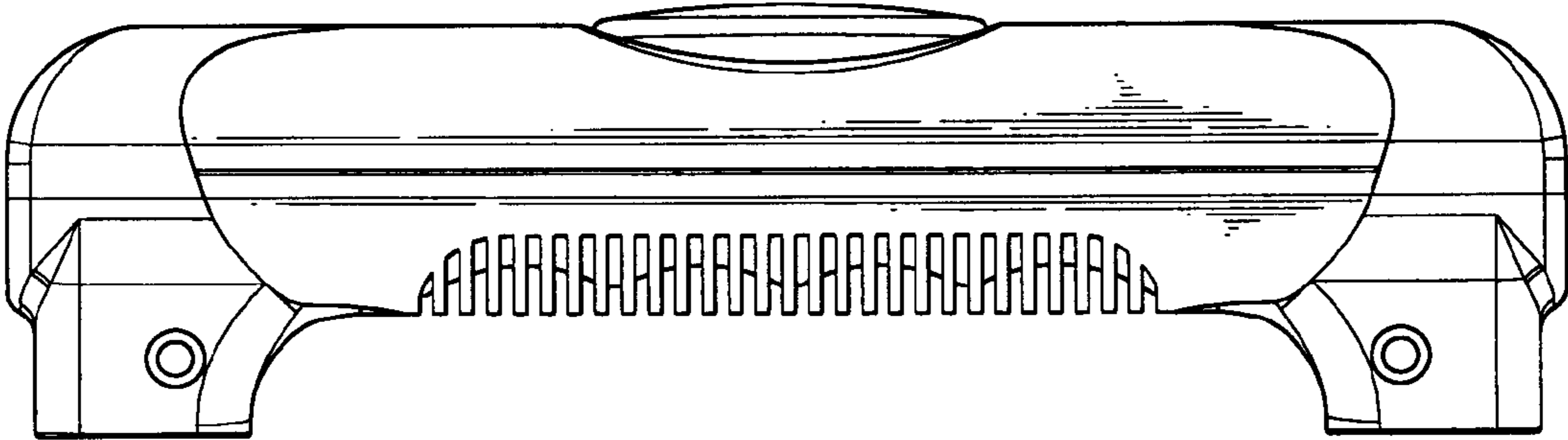


FIG. 2

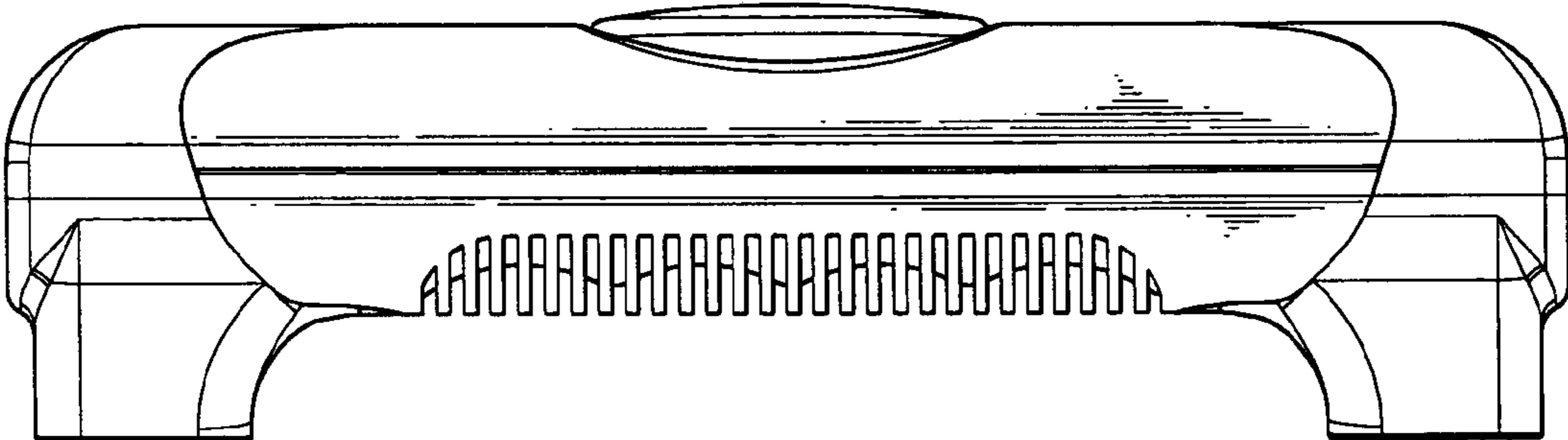


FIG. 3

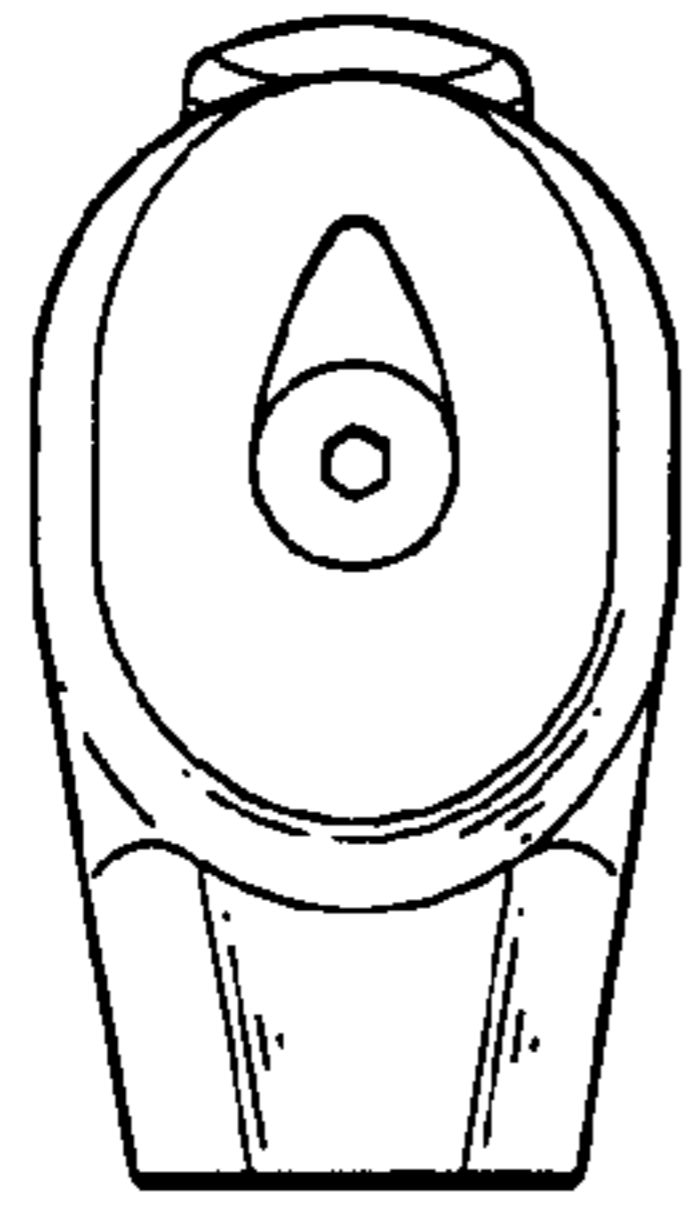


FIG. 4

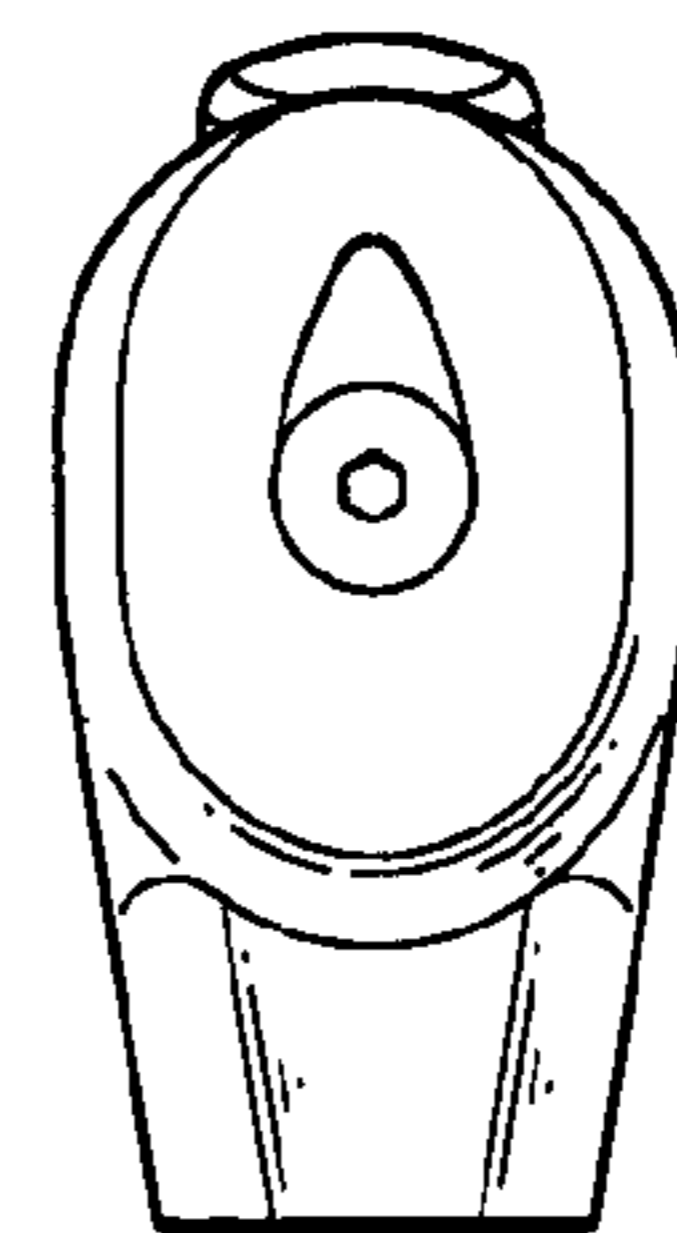


FIG. 5

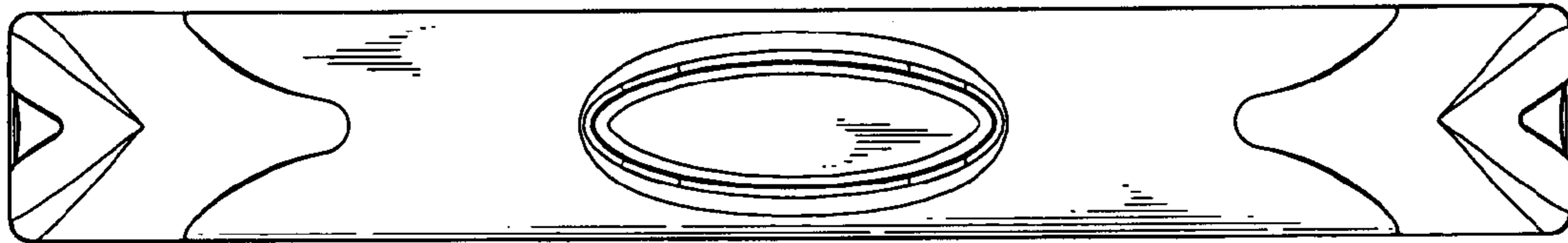


FIG. 6

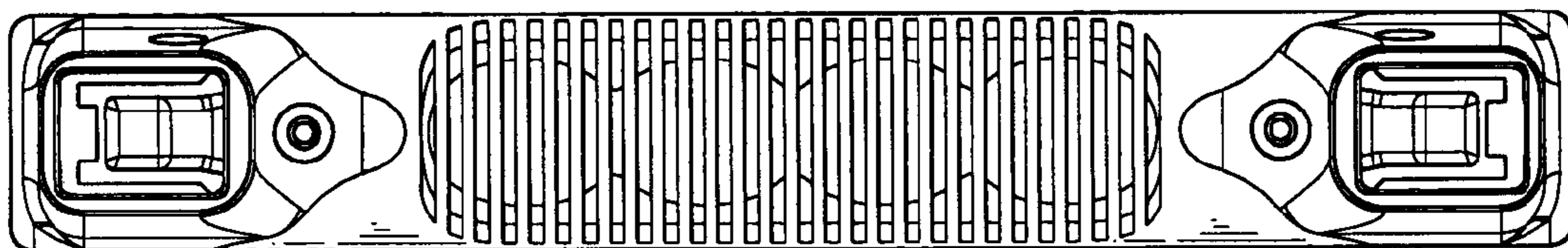


FIG. 7