



US00D504772S

(12) **United States Design Patent**
Sanders

(10) **Patent No.: US D504,772 S**

(45) **Date of Patent: ** May 10, 2005**

(54) **STACKABLE CARRYING CASE AND STORAGE DEVICE**

(75) Inventor: **David Sanders**, Alpharetta, GA (US)

(73) Assignee: **Southern States Marketing, Inc.**,
Marietta, GA (US)

(**) Term: **14 Years**

(21) Appl. No.: **29/209,908**

(22) Filed: **Jul. 24, 2004**

Related U.S. Application Data

(62) Division of application No. 29/183,495, filed on Jun. 12, 2003.

(51) **LOC (7) Cl.** **03-01**

(52) **U.S. Cl.** **D3/297; D3/282; D3/281**

(58) **Field of Search** **D3/272, 273, 294,**
D3/295, 297, 276, 282; D6/441, 448, 432;
D19/75; 206/425; 312/298, 204, 213, 138.1,
348.4

(56) **References Cited**

U.S. PATENT DOCUMENTS

D360,778 S * 8/1995 Apt et al. D6/448

D372,378 S * 8/1996 Kruger D6/448
D393,541 S * 4/1998 Calmeise D3/297
D434,225 S * 11/2000 Story et al. D3/281
D468,130 S * 1/2003 Licari D6/441
D468,932 S * 1/2003 Licari D6/441
D475,197 S * 6/2003 Stoddard D3/284
D478,208 S * 8/2003 Cassel D3/273

* cited by examiner

Primary Examiner—Philip S. Hyder

(74) *Attorney, Agent, or Firm*—Nora M. Tocups, Esq.

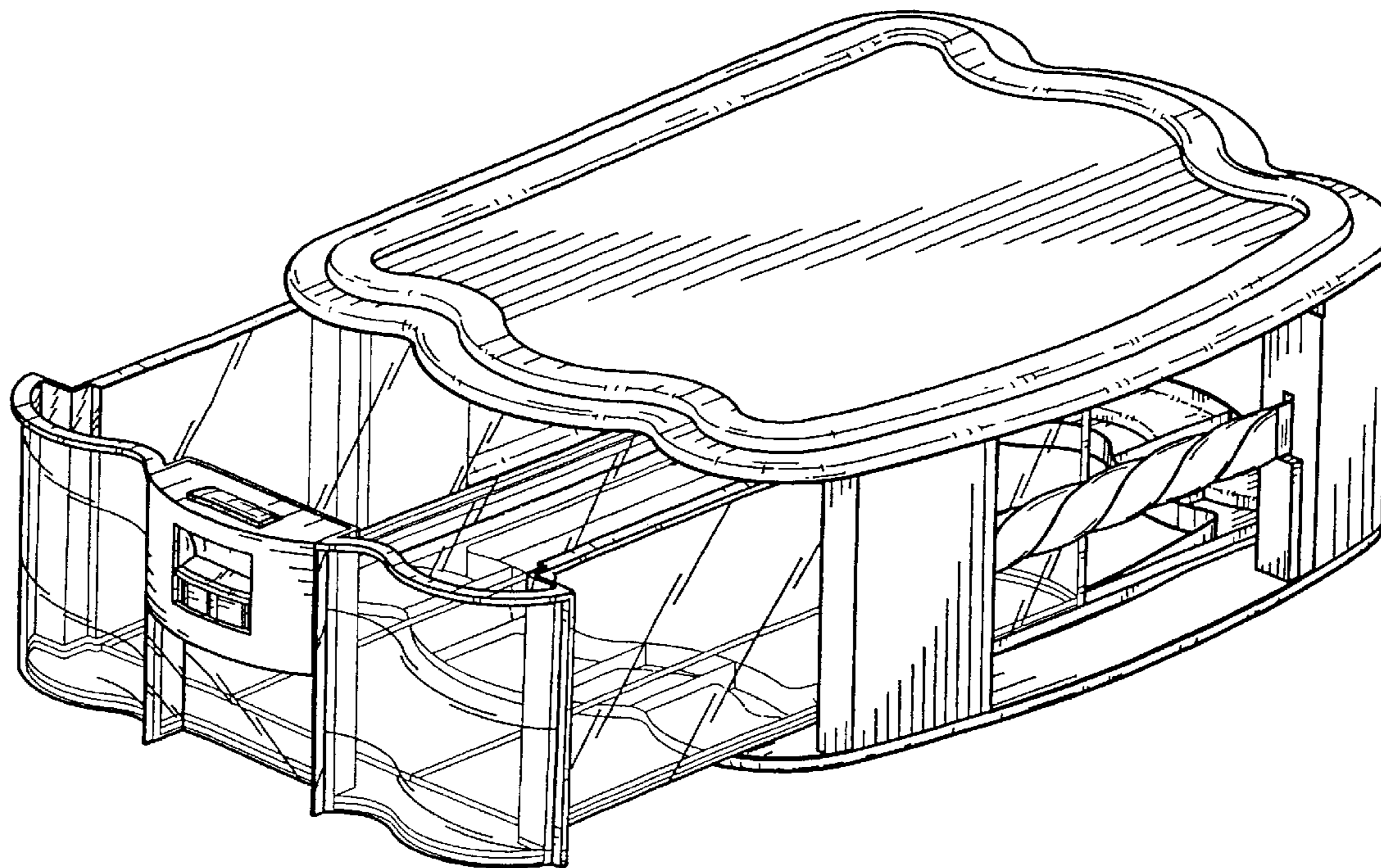
(57) **CLAIM**

The ornamental design for a stackable carrying case and storage device, as shown and described.

DESCRIPTION

FIG. 1 is a top front perspective view showing the front, top, and right side of the stackable carrying case and storage device, showing my new design.

1 Claim, 1 Drawing Sheet



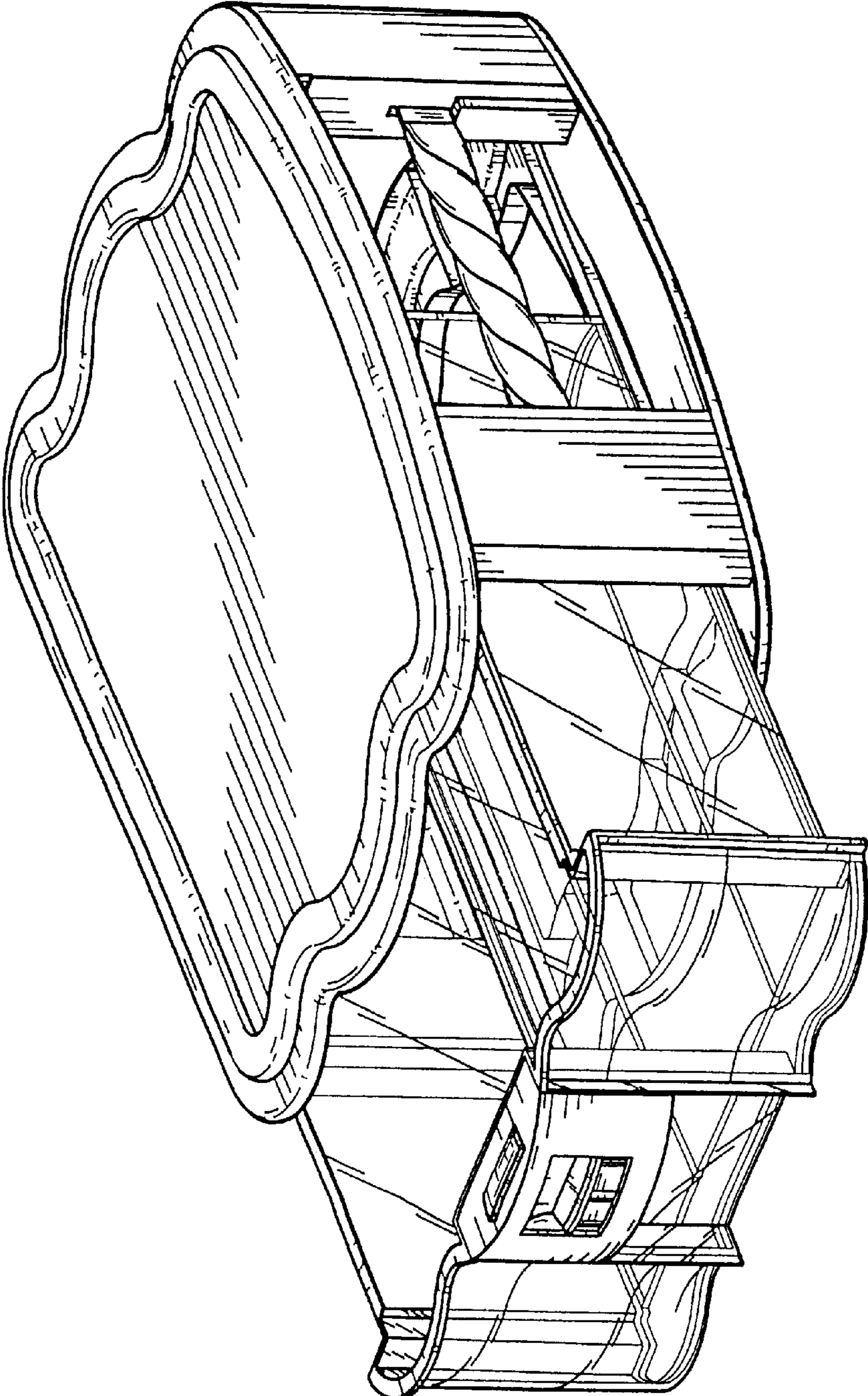


FIG. 1