

US00D504771S

(12) **United States Design Patent**
Boyd et al.

(10) **Patent No.: US D504,771 S**
(45) **Date of Patent: ** May 10, 2005**

(54) **WINDOWED CONTAINER**

(76) Inventors: **David S. Boyd**, 1409 James Ct.,
Ottawa, IL (US) 61350; **Jennifer L. Boyd**, 1409 James Ct., Ottawa, IL (US)
61350

(**) Term: **14 Years**

(21) Appl. No.: **29/188,260**

(22) Filed: **Aug. 15, 2003**

(51) **LOC (7) Cl.** **03-01**

(52) **U.S. Cl.** **D3/273; D3/294; D9/418**

(58) **Field of Search** **D3/273, 272, 294,**
D3/302, 276, 274; D9/418, 423, 424; 206/769;
220/662, 663, 60

(56) **References Cited**

U.S. PATENT DOCUMENTS

597,325 A	1/1898	Prickett	
3,667,648 A *	6/1972	Koziol	126/211
5,607,058 A	3/1997	Huesman et al.	
D397,552 S *	9/1998	Rutledge	D3/302
D406,463 S *	3/1999	Rutledge	D3/302
D414,606 S *	10/1999	Sun	D3/276

437,518 A1	2/2001	Andersson	
D437,779 S *	2/2001	Randall et al.	D9/418
6,206,225 B1	3/2001	Fox	
D441,578 S	5/2001	Andersson	
D446,014 S *	8/2001	Adkins	D3/302
6,520,331 B2	2/2003	Okin et al.	
D473,712 S *	4/2003	Sabounjian	D3/270

* cited by examiner

Primary Examiner—Philip S. Hyder

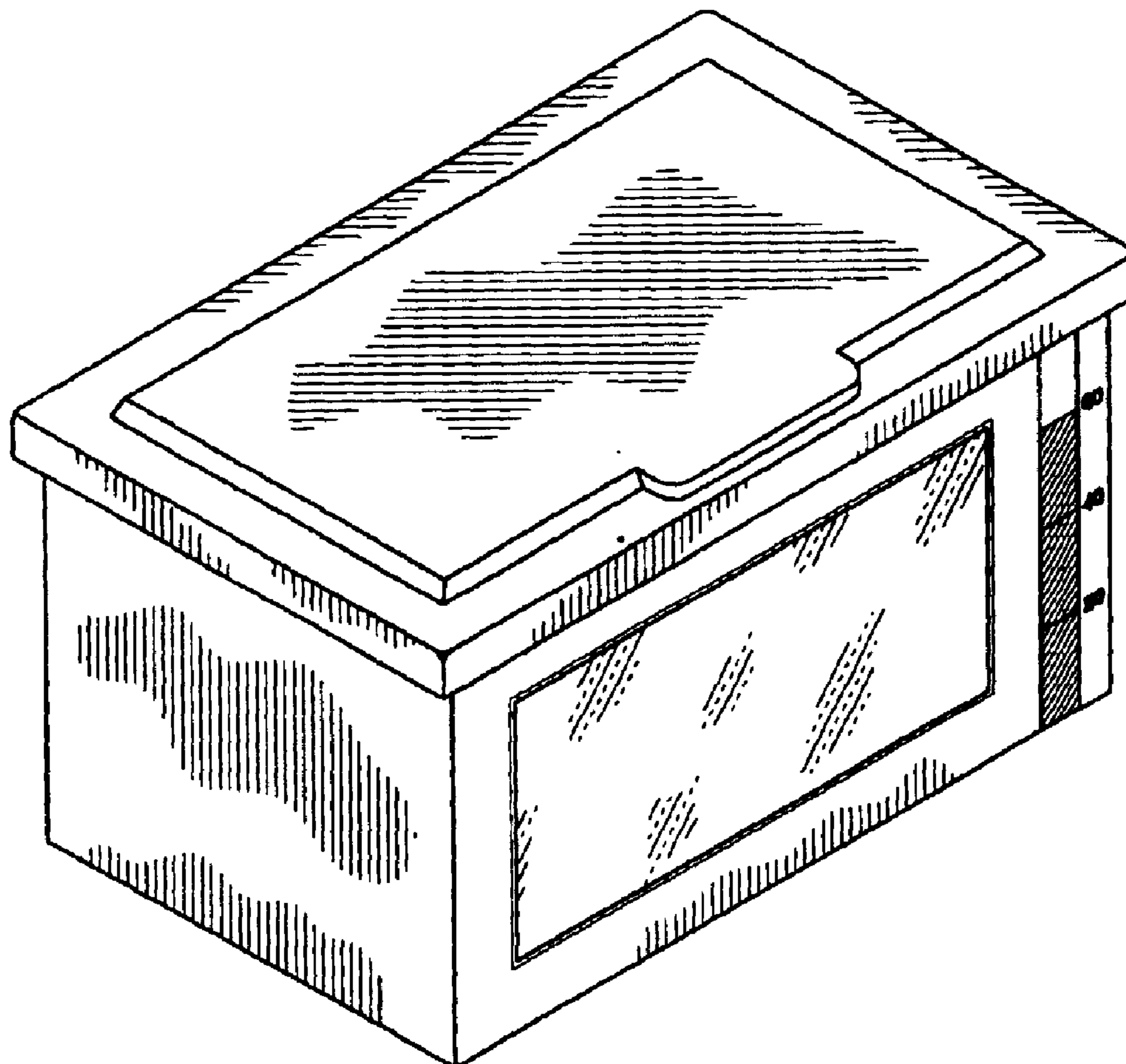
(57) **CLAIM**

The ornamental design for a windowed container, as shown and described.

DESCRIPTION

FIG. 1 is a front elevational view of a windowed container showing my our design;
FIG. 2 is a rear elevational view thereof;
FIG. 3 is a side view, taken from the left side of FIG. 1, the right side view being a mirror image thereof;
FIG. 4 is a top plan view thereof;
FIG. 5 is a bottom plan view thereof; and,
FIG. 6 is a perspective view thereof.

1 Claim, 4 Drawing Sheets



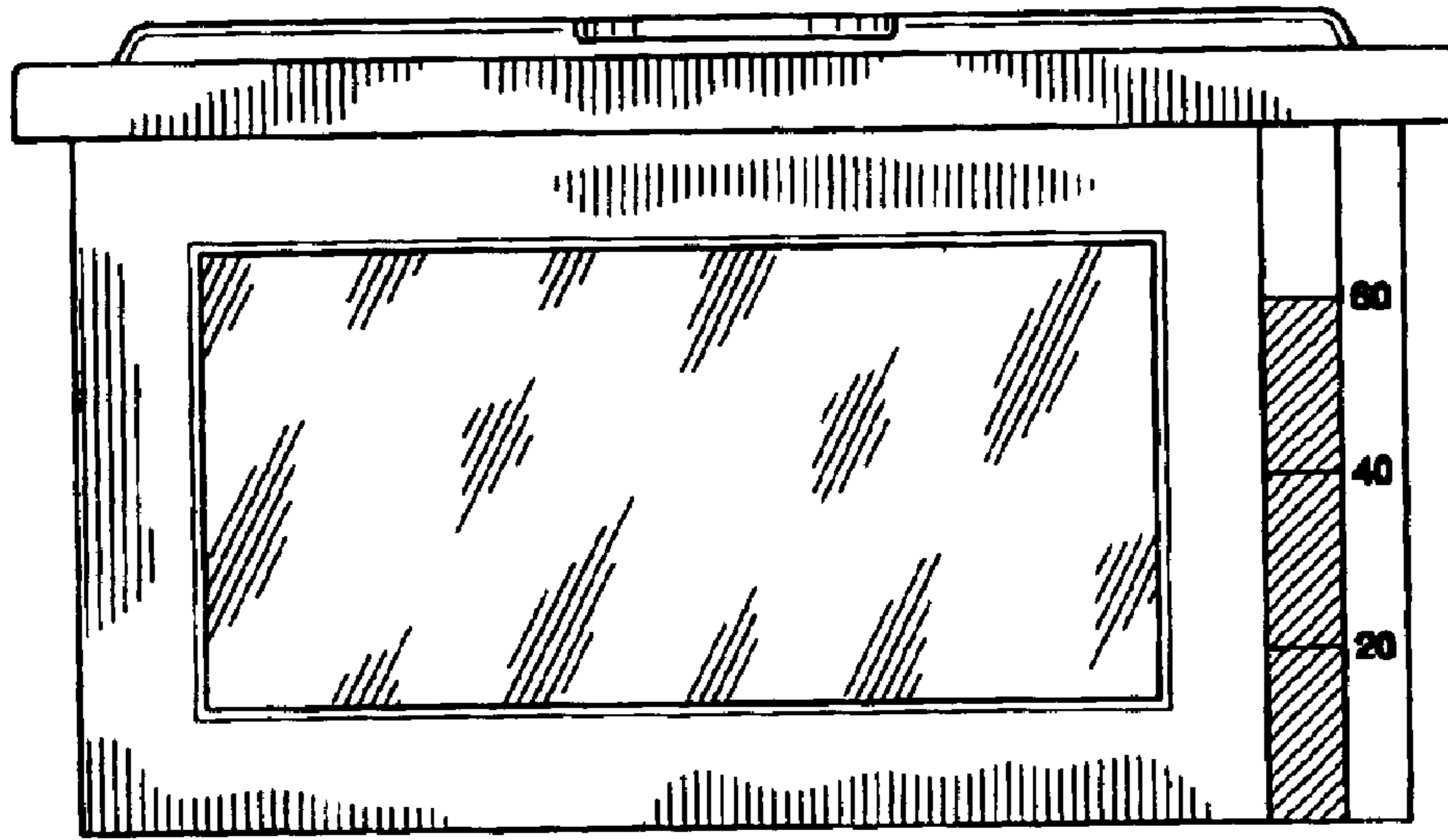


FIG.1

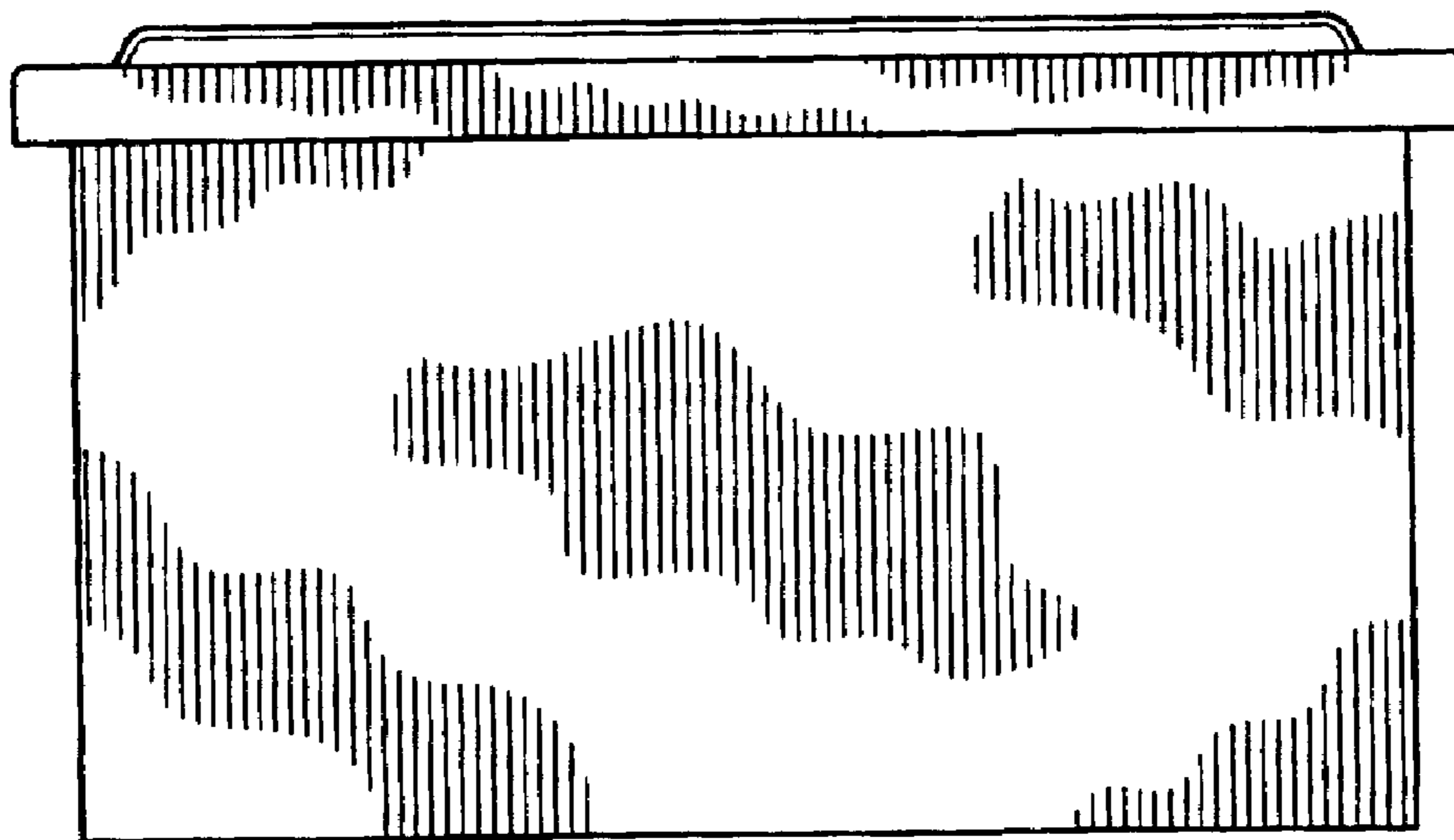


FIG.2

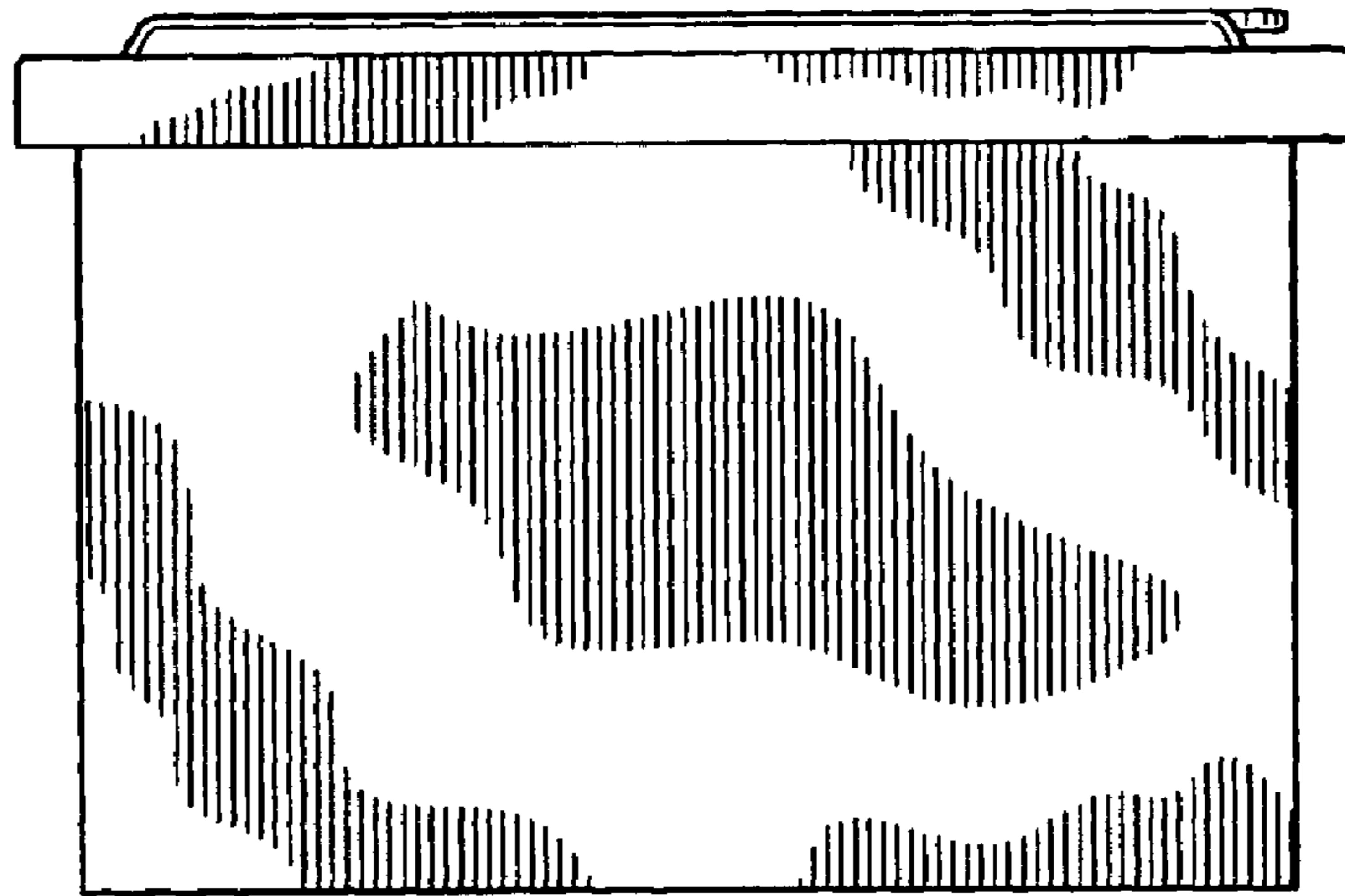


FIG.3

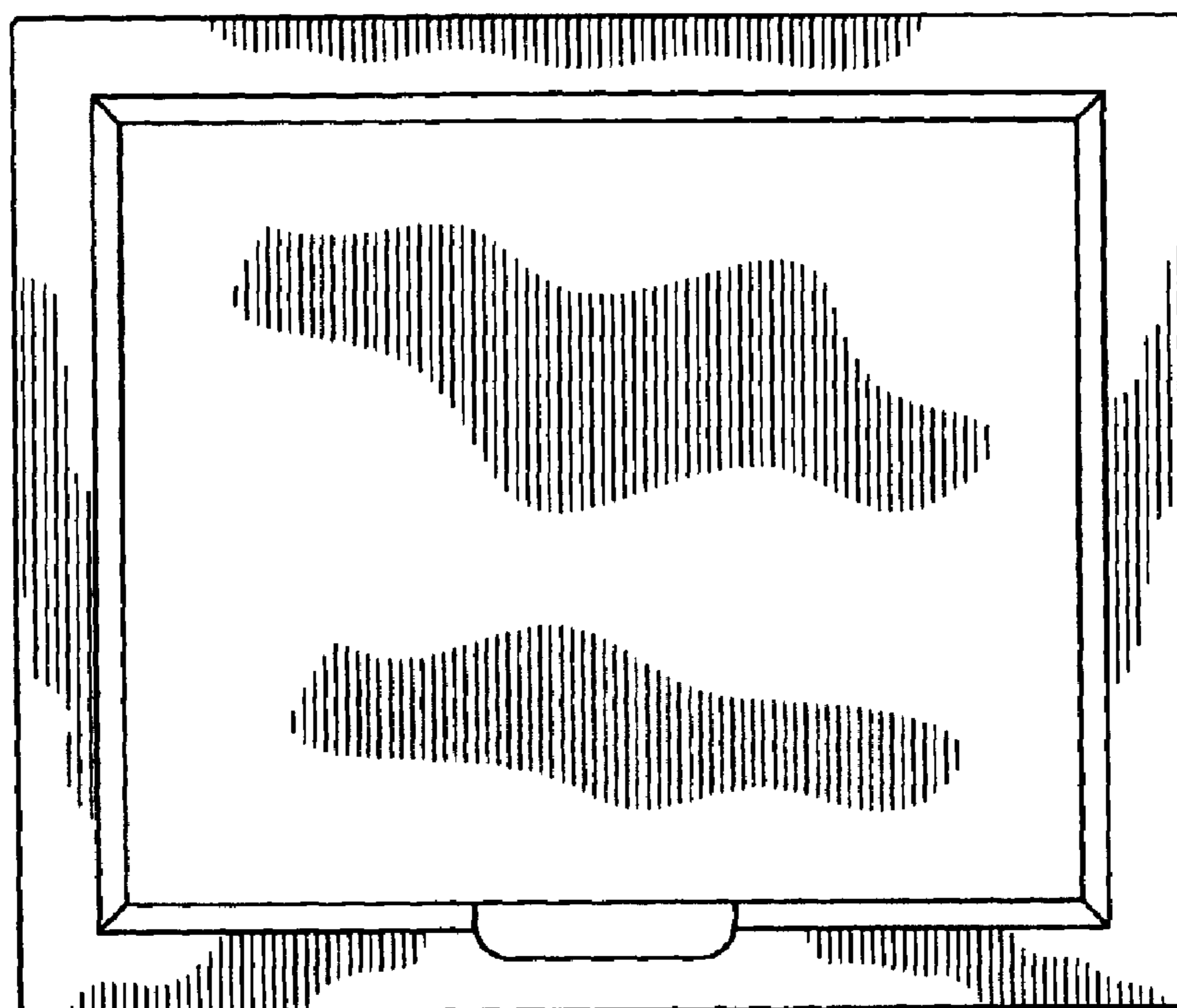


FIG.4

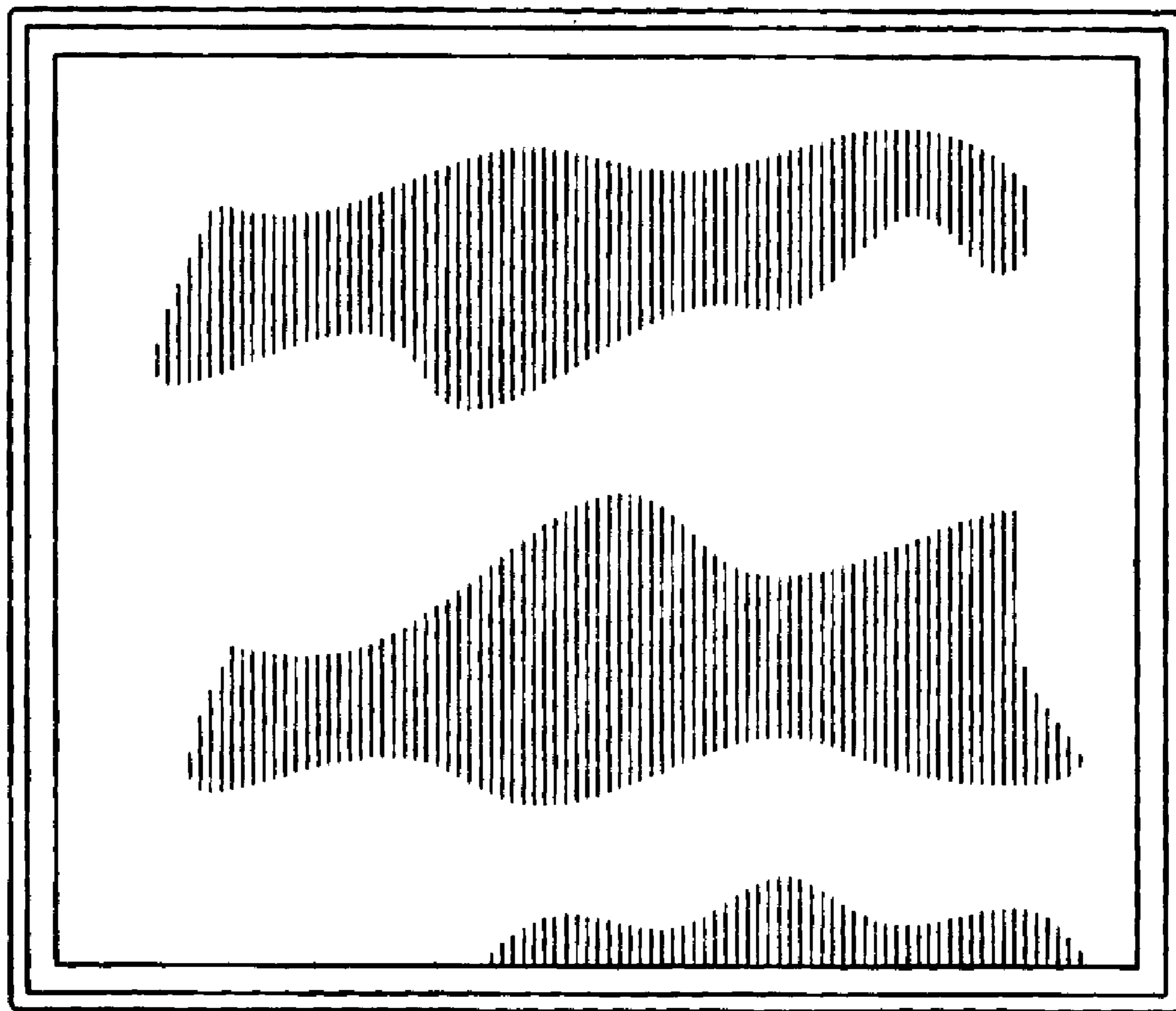


FIG.5

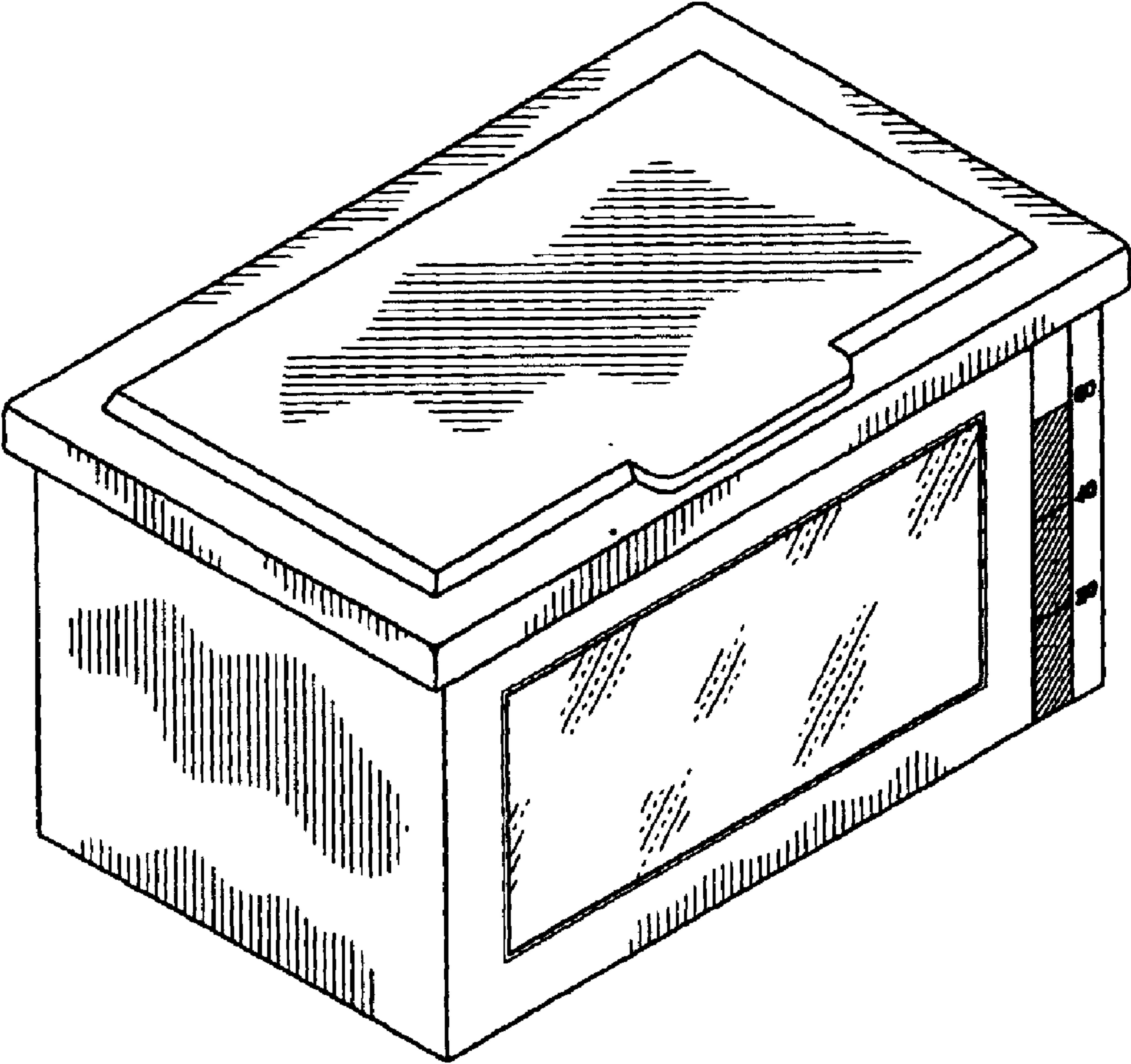


FIG.6