

US00D504769S

(12) **United States Design Patent**  
**Bozik et al.**

(10) **Patent No.: US D504,769 S**  
(45) **Date of Patent: \*\* May 10, 2005**

(54) **GOLF ACCESSORY**

(75) Inventors: **William P. Bozik**, 6519-107 th Ter. N.,  
Pinellas Park, FL (US) 33782; **Judith**  
**E. Bozik**, Pinellas Park, FL (US)

(73) Assignee: **William P. Bozik**, Pinellas Park, FL  
(US)

(\*\*) Term: **14 Years**

(21) Appl. No.: **29/181,592**

(22) Filed: **May 13, 2003**

(51) **LOC (7) Cl.** ..... **03-01**

(52) **U.S. Cl.** ..... **D3/221**

(58) **Field of Search** ..... D3/221, 224, 226,  
D3/215, 320; 224/247, 269, 666, 918-919;  
D21/793-794, 796; 206/315.1, 223, 579

(56) **References Cited**

**U.S. PATENT DOCUMENTS**

3,233,802 A \* 2/1966 Ludwick ..... 224/918  
3,298,579 A \* 1/1967 Smith ..... 224/918  
D249,570 S \* 9/1978 Studt ..... D21/794

D274,830 S \* 7/1984 Lynch ..... D3/224  
4,736,877 A \* 4/1988 Clark ..... 224/666  
D390,354 S \* 2/1998 Presley ..... D3/221  
6,705,497 B1 \* 3/2004 Schuett ..... 224/247

\* cited by examiner

*Primary Examiner*—Catherine R. Oliver

(57) **CLAIM**

We claim the ornamental design for the “golf accessory,” as shown and described.

**DESCRIPTION**

A Magnetic golf ball marker with a spring steel belt clip holder.

FIG. 1 is a front perspective view of the golf accessory holder showing our new design;

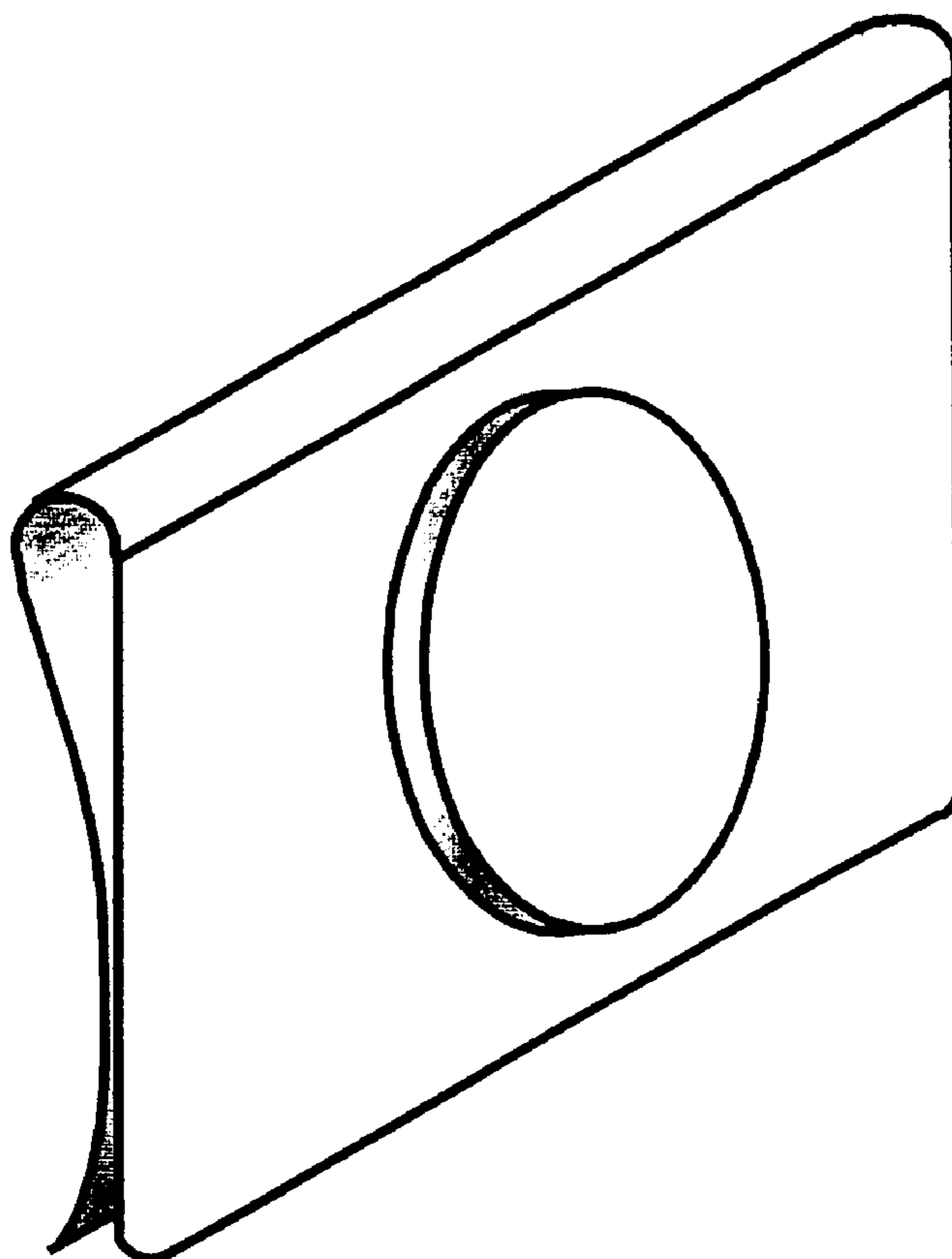
FIG. 2 is a front perspective view with the ball marker removed;

FIG. 3 is a side view;

FIG. 4 is a perspective view of the ball marker; and,

FIG. 5 is an exploded perspective view, with the ball marker shown removed.

**1 Claim, 5 Drawing Sheets**



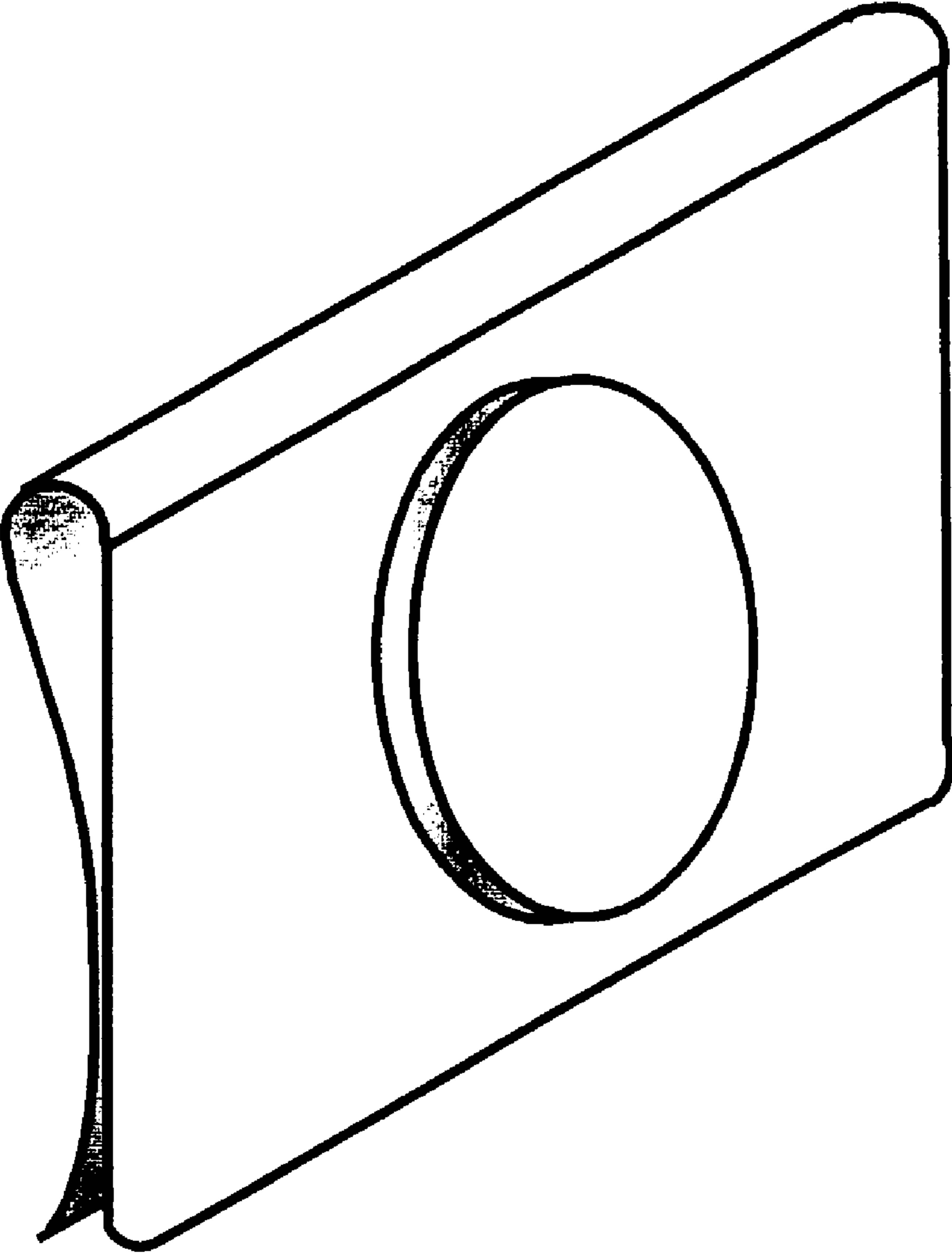


FIGURE 1

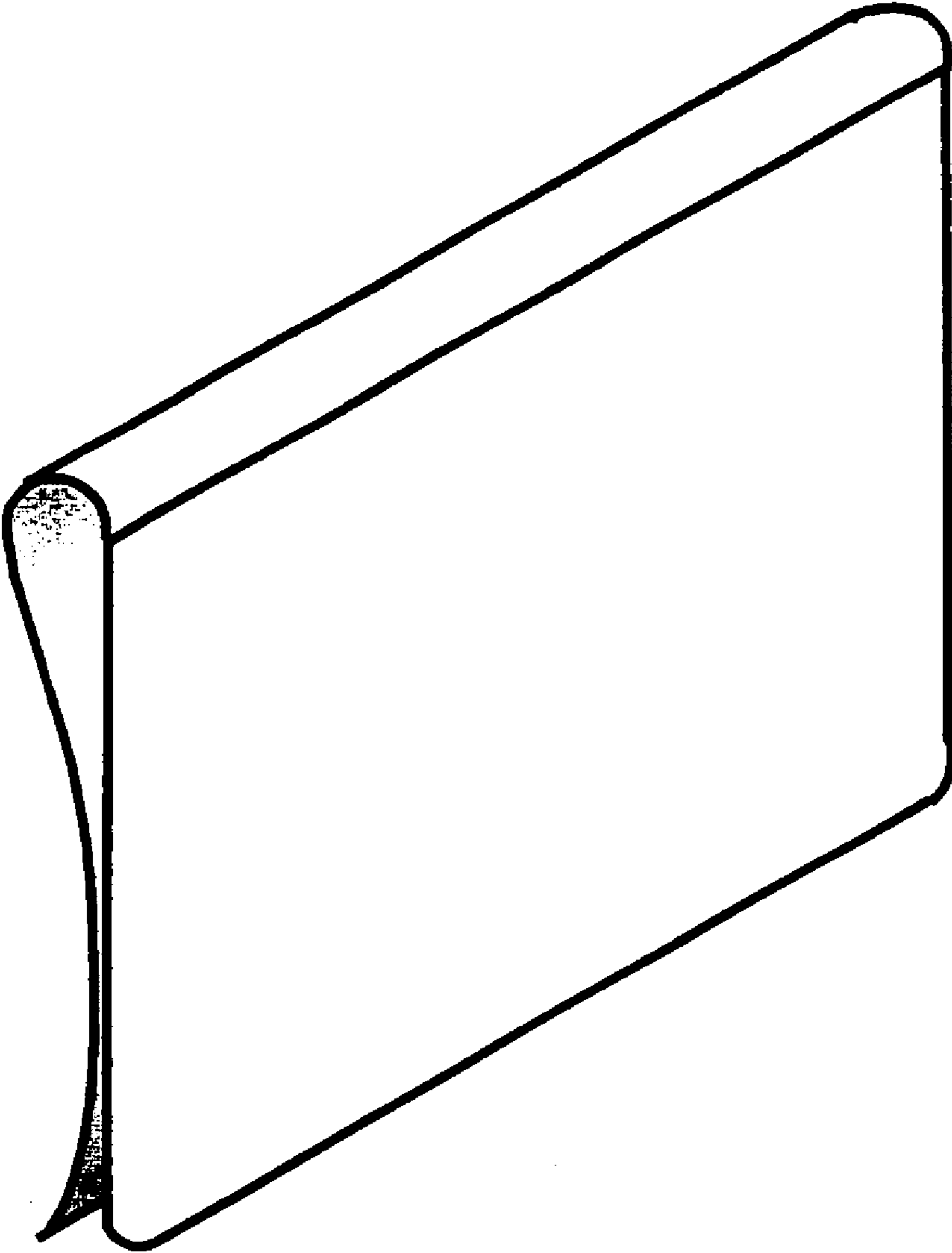


FIGURE 2



FIGURE 3

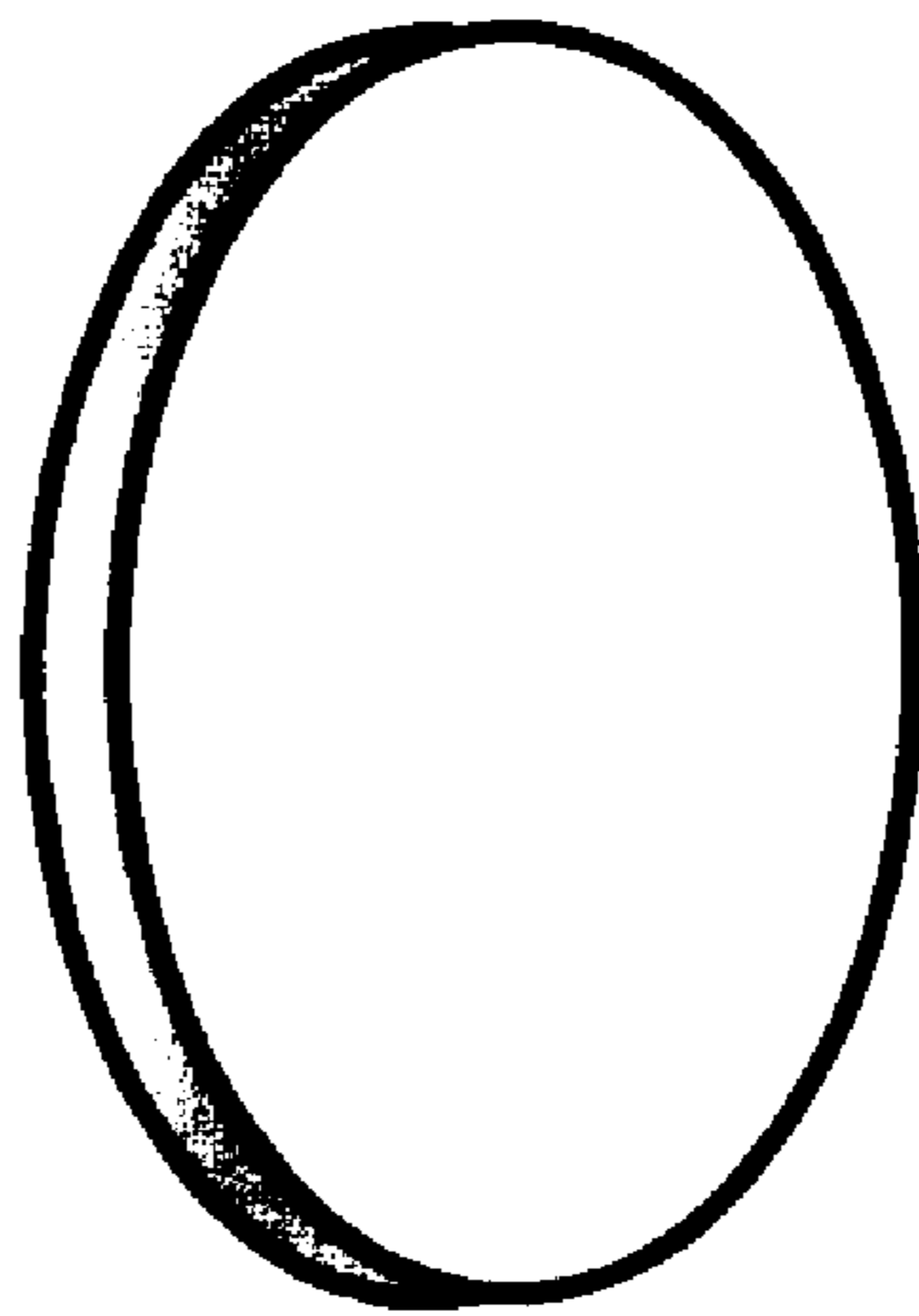


FIGURE 4

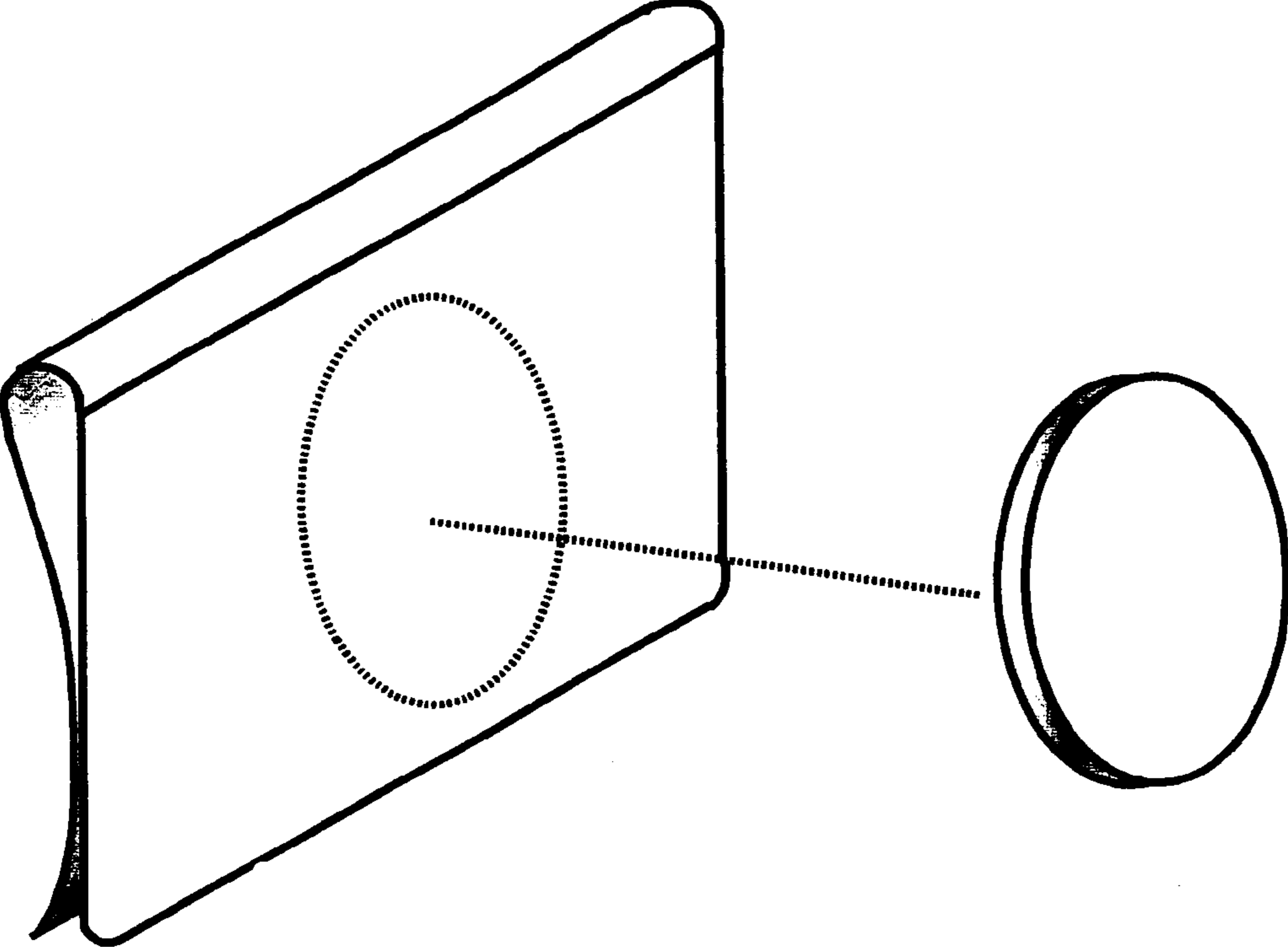


FIGURE 5