

US00D504768S

(12) **United States Design Patent**
Goradesky

(10) **Patent No.:** **US D504,768 S**
(45) **Date of Patent:** **** May 10, 2005**

(54) **SWIVEL BELT CLIP FOR CELLULAR TELEPHONE**

(75) Inventor: **Harold A. Goradesky**, Fort Lauderdale, FL (US)

(73) Assignee: **A.G. Findings & Mfg. Co., Inc.**, Sunrise, FL (US)

(**) Term: **14 Years**

(21) Appl. No.: **29/193,809**

(22) Filed: **Nov. 14, 2003**

(51) **LOC (7) Cl.** **03-01**

(52) **U.S. Cl.** **D3/218**

(58) **Field of Search** D3/218, 215, 219, D3/224, 226, 228; 224/240, 268-271, 197, 930; 24/3.11, 3.12, 3.13

(56) **References Cited**

U.S. PATENT DOCUMENTS

5,730,342	A *	3/1998	Tien	224/271
6,283,348	B1 *	9/2001	Wang	224/271
D478,418	S *	8/2003	Badillo et al.	D3/218
2003/0098323	A1 *	5/2003	Taylor et al.	224/197
2004/0069821	A1 *	4/2004	Kobayashi	224/271

* cited by examiner

Primary Examiner—Catherine R. Oliver
(74) *Attorney, Agent, or Firm*—Robert C. Kain, Jr.; Fleit, Kain

(57) **CLAIM**

I claim the ornamental design for swivel belt clip for cellular telephone, as shown and described.

DESCRIPTION

FIG. 1 is a top-left perspective view of the swivel belt clip for cellular telephone.

FIG. 2 is a rear-left perspective view of the swivel belt clip for cellular telephone.

FIG. 3 is a bottom-right perspective view of the swivel belt clip for cellular telephone.

FIG. 4 is front elevational view of the swivel belt clip for cellular telephone.

FIG. 5 is a top view of the swivel belt clip for cellular telephone.

FIG. 6 is a bottom view of the swivel belt clip for cellular telephone.

FIG. 7 is a left side view of the swivel belt clip for cellular telephone.

FIG. 8 is a right side view of the swivel belt clip for cellular telephone; and,

FIG. 9 is the rear elevational view of the swivel belt clip for cellular telephone.

1 Claim, 3 Drawing Sheets

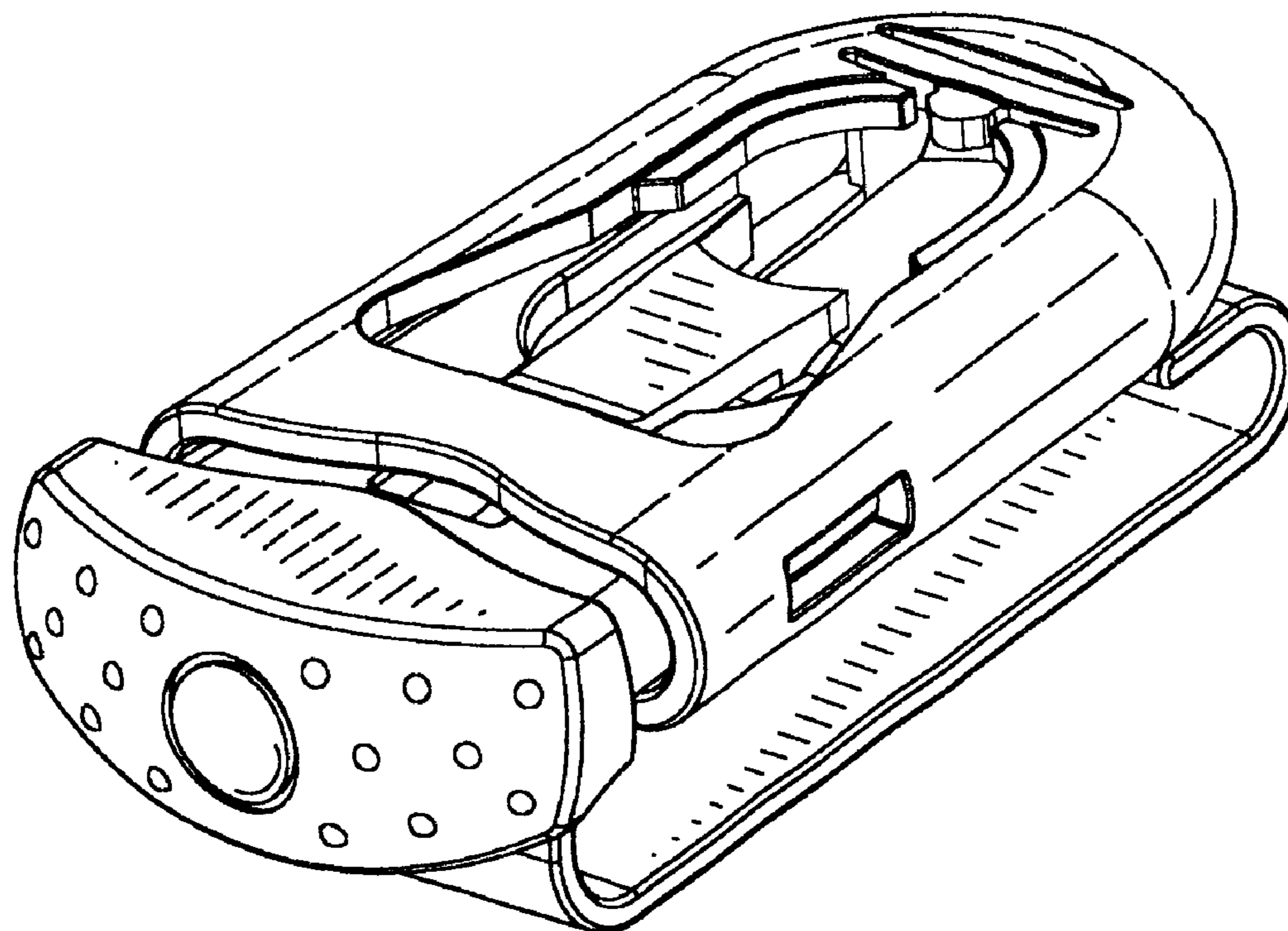


FIG. 2

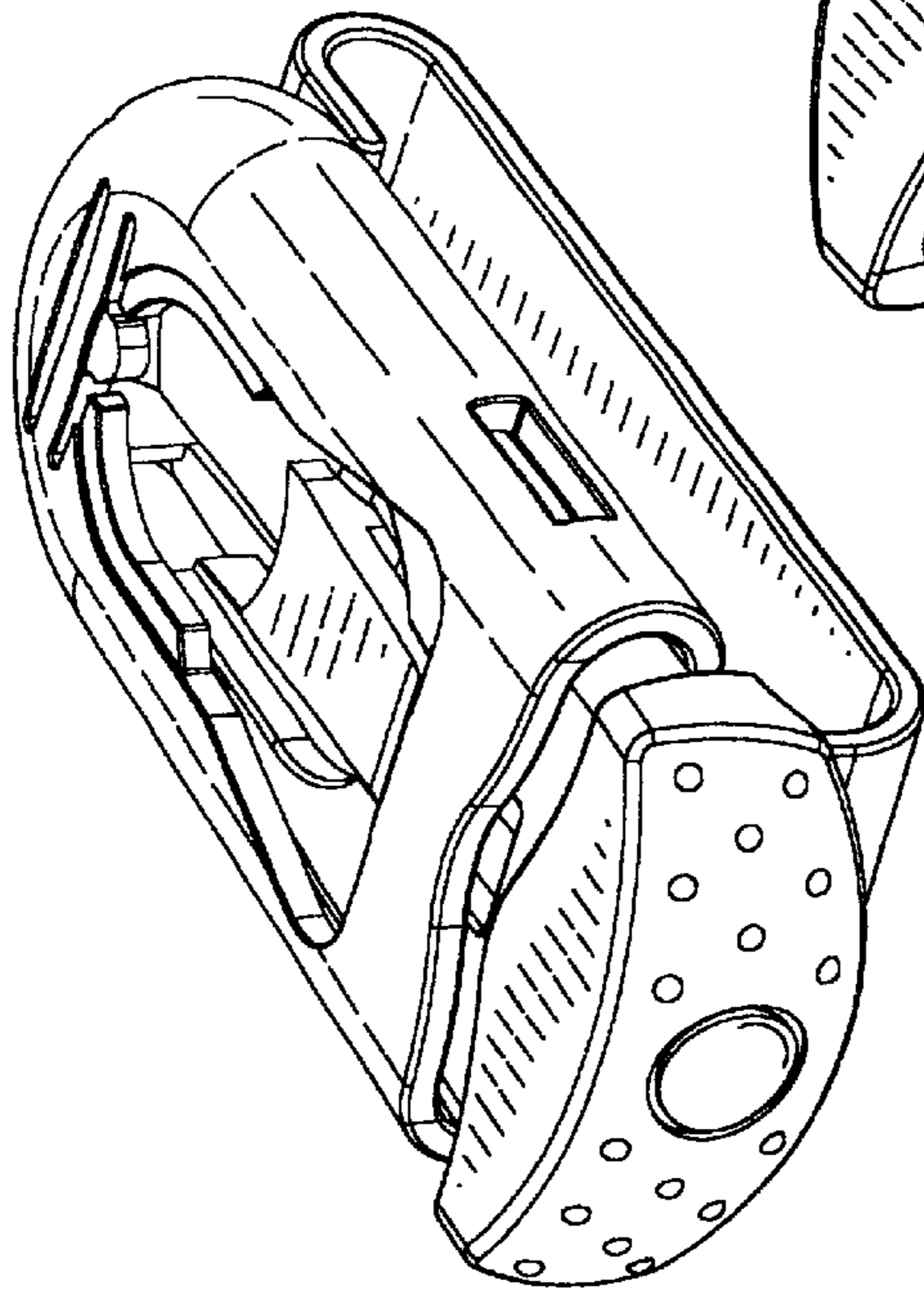
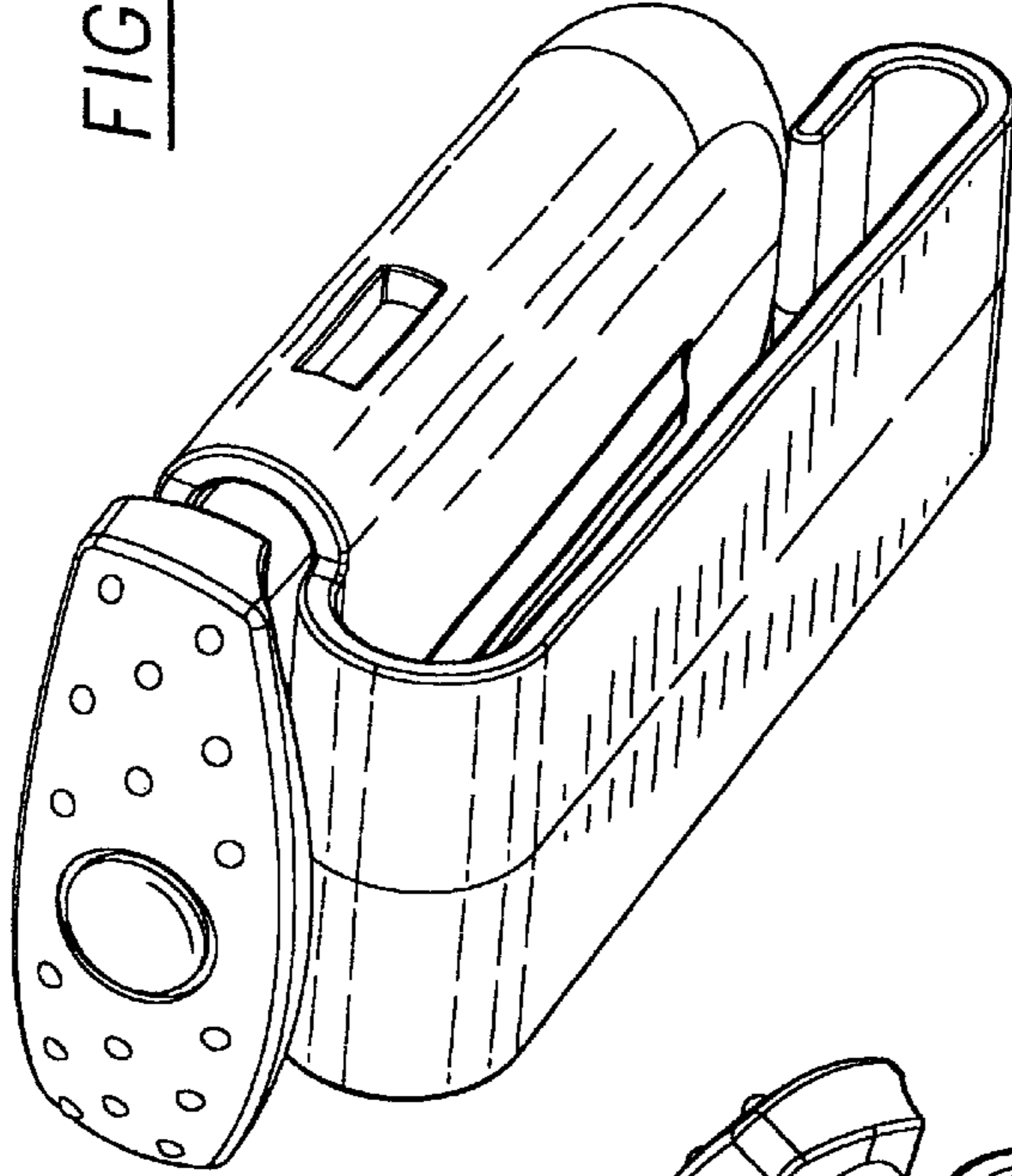


FIG. 1

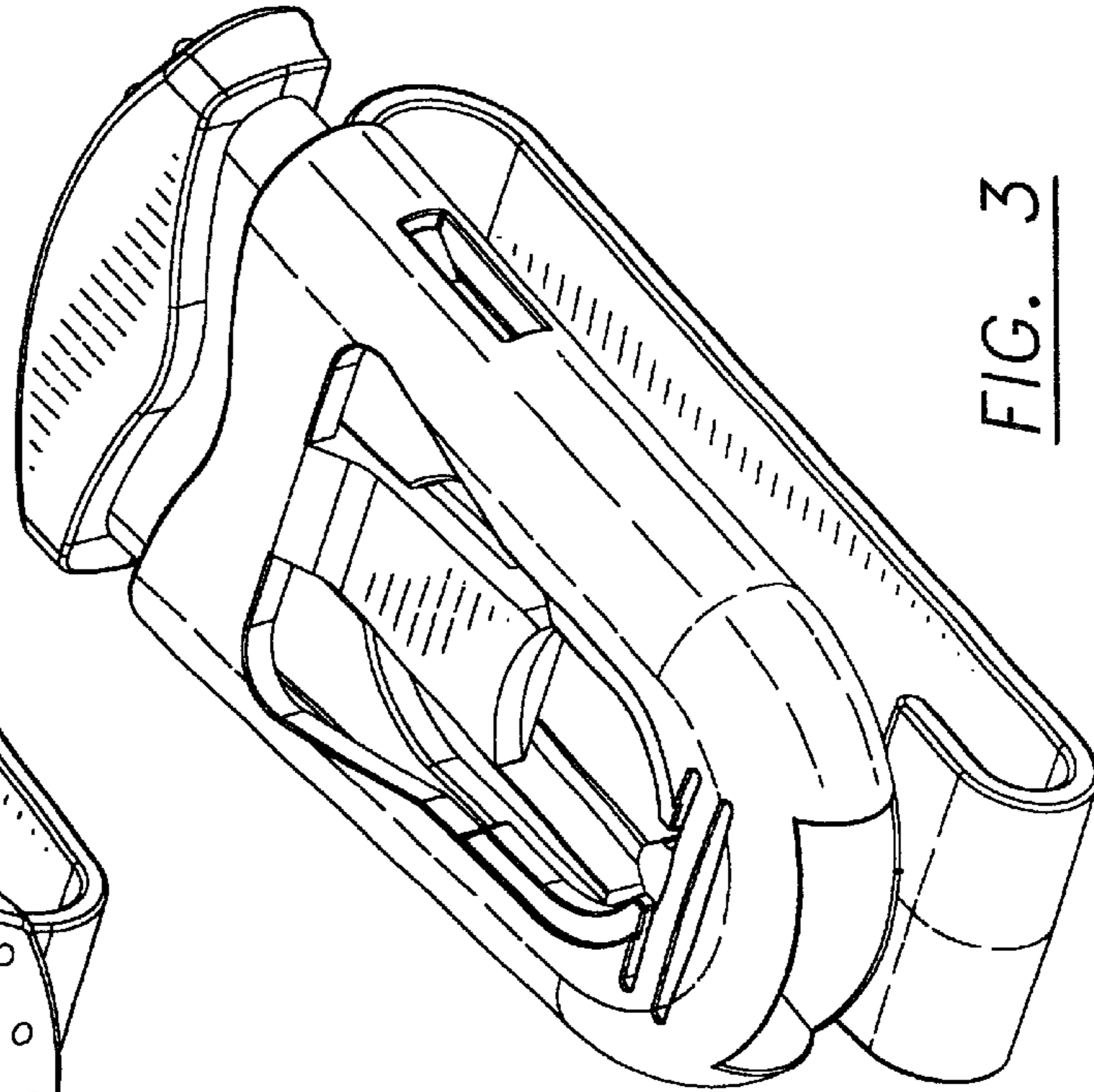


FIG. 3

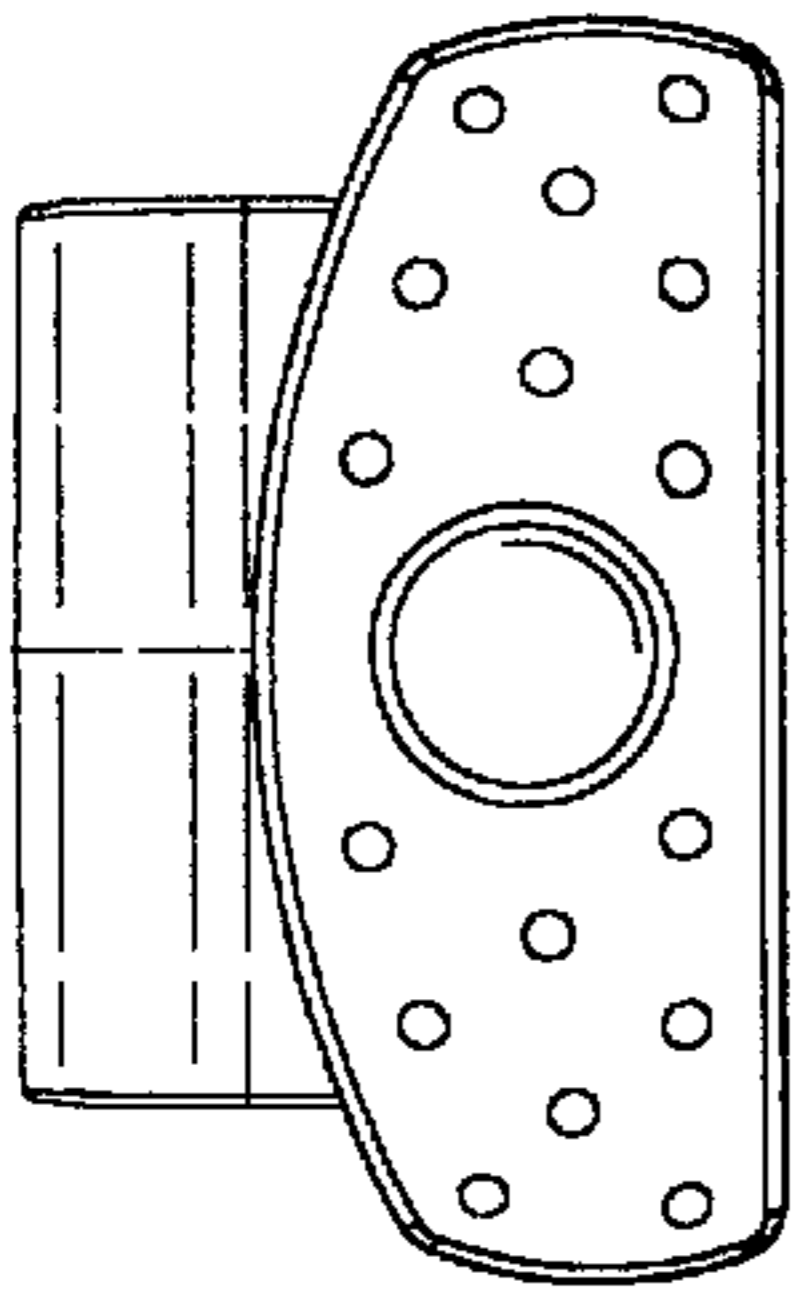


FIG. 5

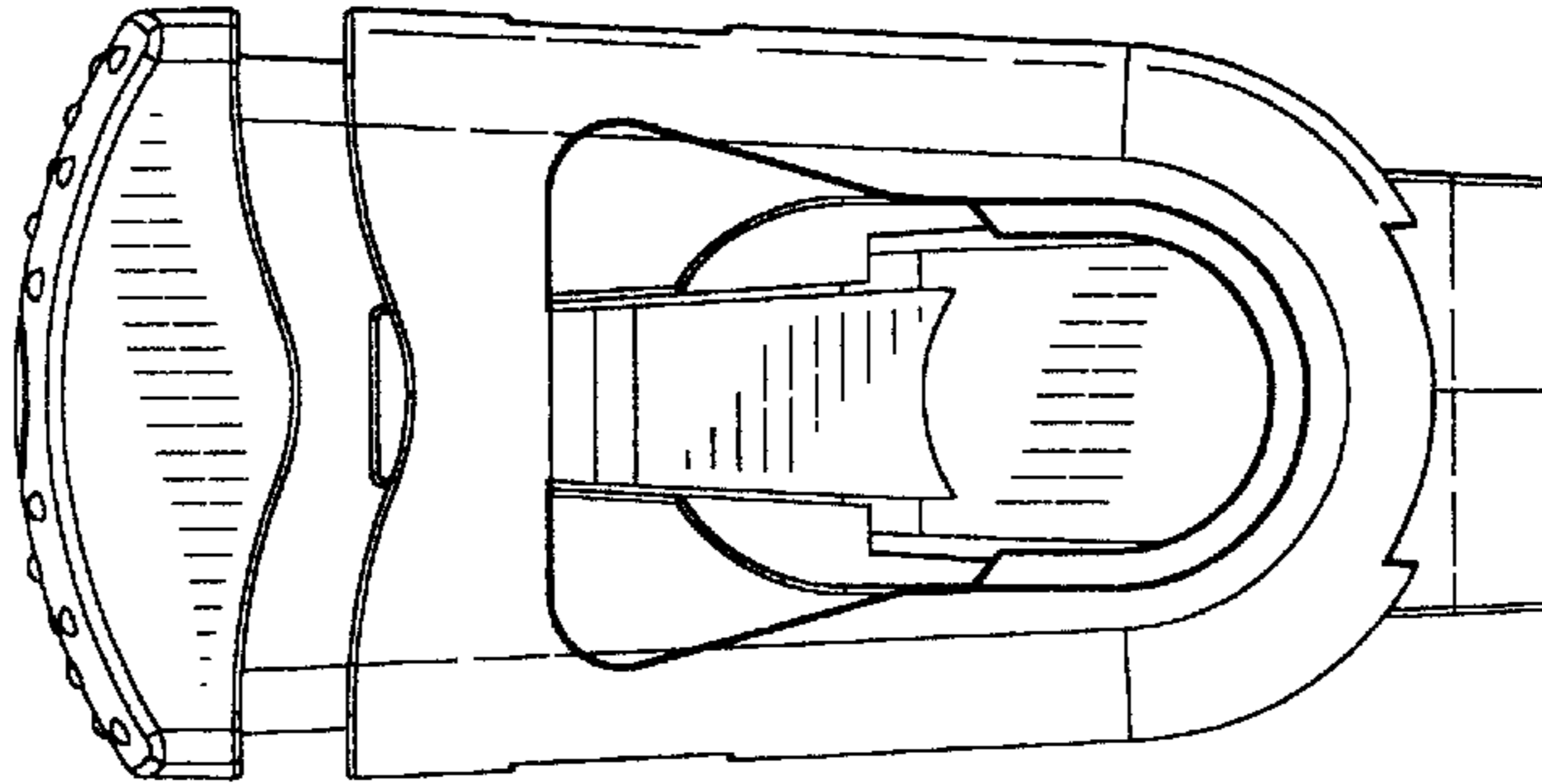


FIG. 4

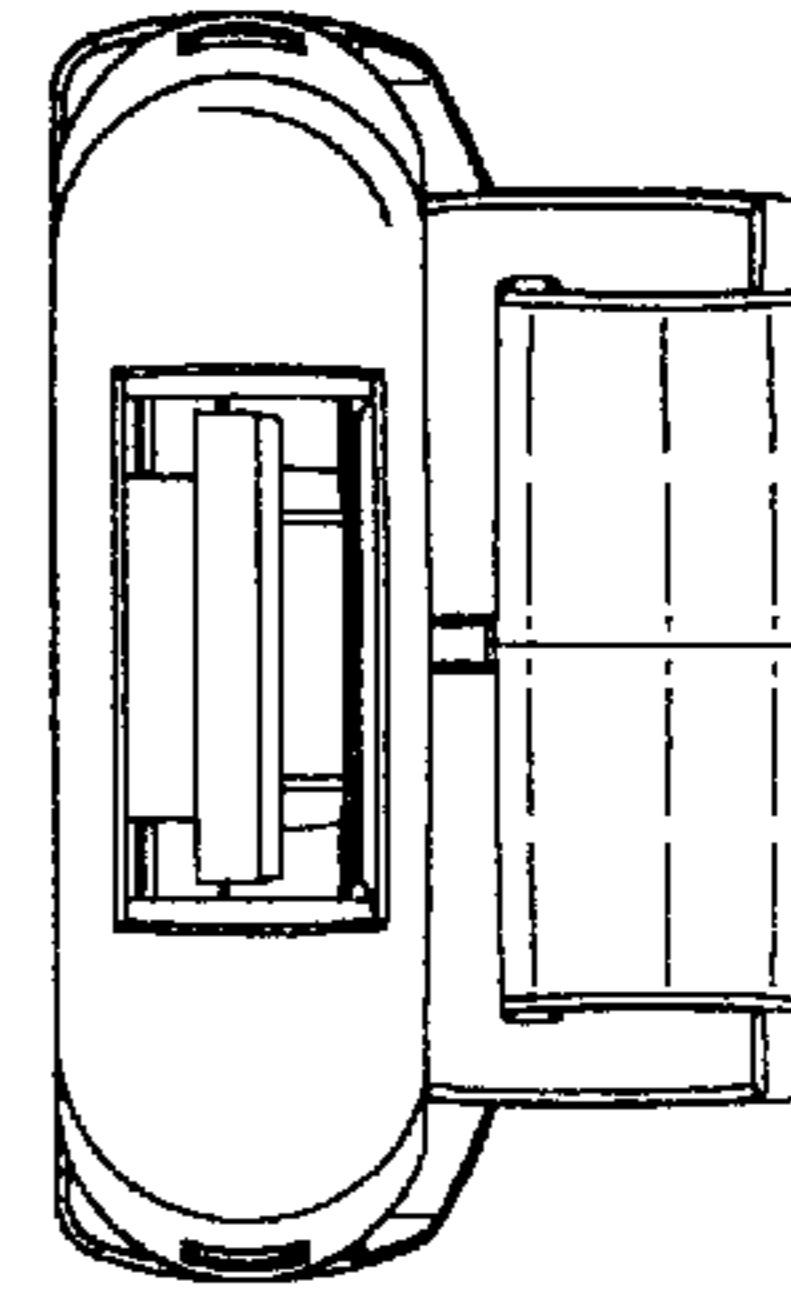


FIG. 6

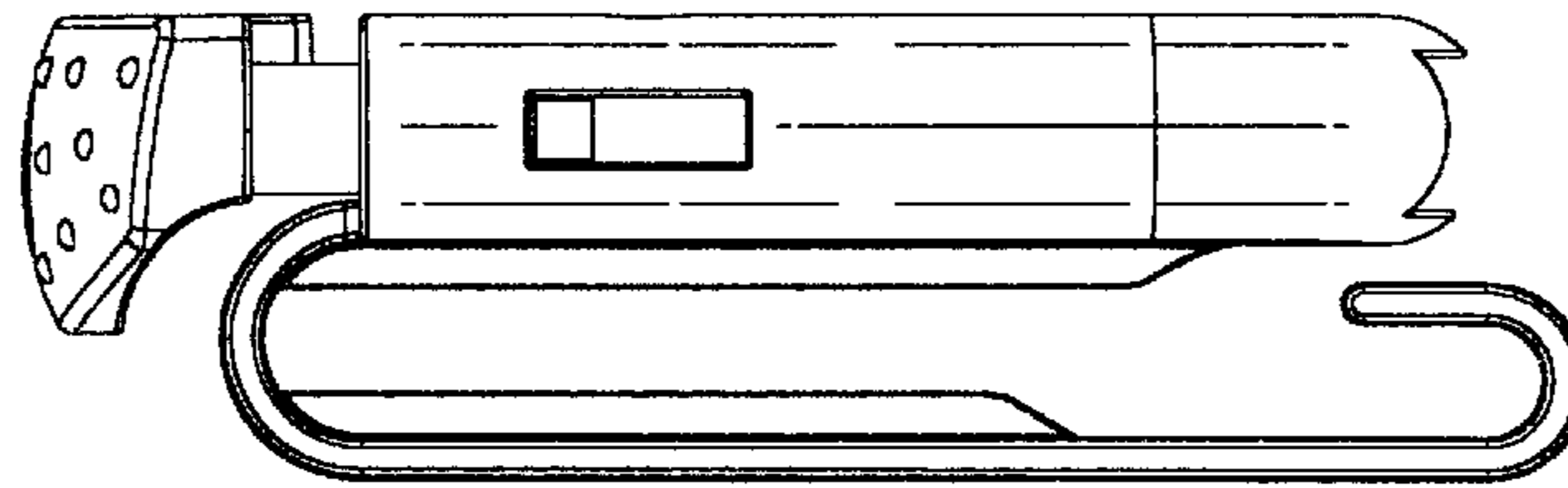


FIG. 7

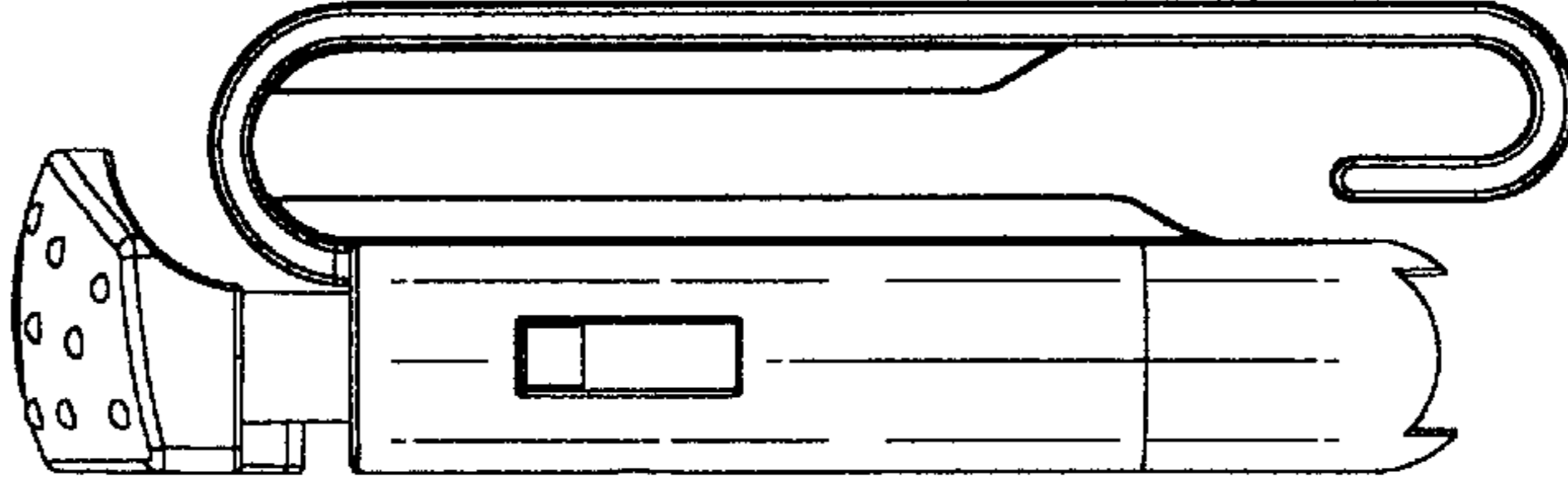


FIG. 8

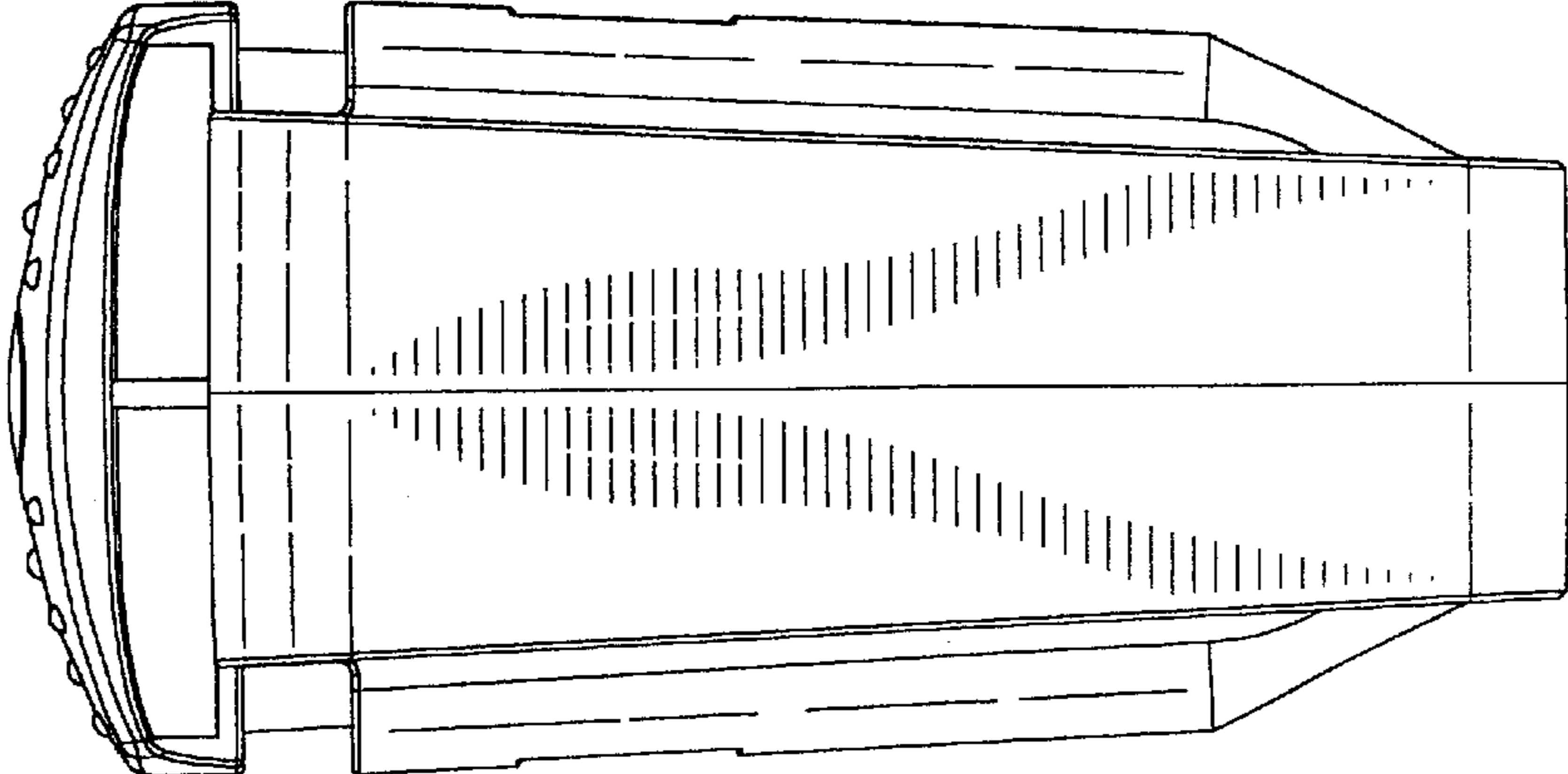


FIG. 9