

US00D504748S

(12) **United States Design Patent**
Jäger

(10) **Patent No.:** **US D504,748 S**

(45) **Date of Patent:** **** May 3, 2005**

(54) **CHEW TOY FOR ANIMALS**

(75) **Inventor:** **Claudius Jäger**, Boulder, CO (US)

(73) **Assignee:** **Artemis Rubber Technology, Inc.**,
Longmont, CO (US)

(**) **Term:** **14 Years**

(21) **Appl. No.:** **29/186,346**

(22) **Filed:** **Jul. 14, 2003**

(51) **LOC (7) Cl.** **30-99**

(52) **U.S. Cl.** **D30/160; D24/211**

(58) **Field of Search** **D30/160; D21/406,**
D21/408, 475-476, 478-479, 483, 532,
662, 681, 682, 707, 711, 713; D24/193-195,
211; 119/702, 706-711; 156/72; 273/160;
446/85, 227, 369; 473/143, 575-576, 578-580,
612, 614; 482/114; 601/118-120, 131, 139;
606/234, 236; 411/157; 219/222, 226; 132/248-249,
268

(56) **References Cited**

U.S. PATENT DOCUMENTS

- 1,345,096 A * 6/1920 Mount 601/118
- 1,631,990 A * 6/1927 Tabb 219/222
- 3,104,648 A * 9/1963 Fisher 119/711

- D215,057 S * 8/1969 Sun D21/681
- D243,013 S * 1/1977 Jones et al. D19/37
- 4,109,649 A * 8/1978 Iyomasa D30/160
- D253,373 S * 11/1979 Celeste D24/211
- 4,433,683 A * 2/1984 McCoy et al. 601/120
- D306,886 S * 3/1990 Shiek et al. D21/662
- D337,827 S * 7/1993 Seng D24/211
- D398,401 S * 9/1998 Antoskow D24/211

* cited by examiner

Primary Examiner—Cathy Anne MacCormac

(74) *Attorney, Agent, or Firm*—Robert W Becker &
Associates; Robert W Becker

(57) **CLAIM**

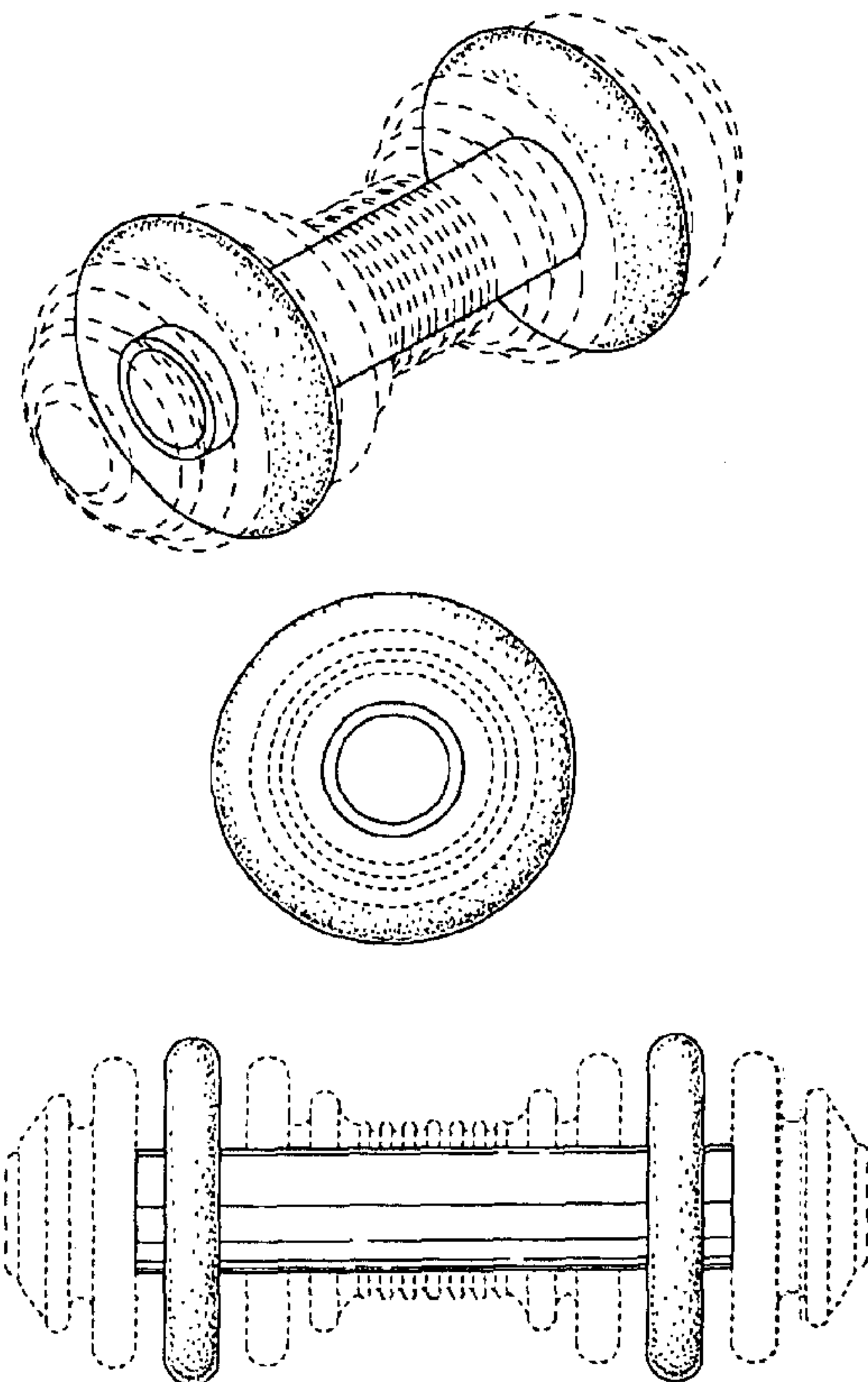
The ornamental design for a chew toy for animals, as shown and described.

DESCRIPTION

FIG. 1 is a perspective view of a chew toy for animals;
FIG. 2 is an end view thereof;
FIG. 3 is an opposite end view thereof; and,
FIG. 4 is a front elevational view thereof, the rear, top and
bottom are identical.

The broken lines are for illustrative purposes only and form
no part of the claimed design.

1 Claim, 3 Drawing Sheets



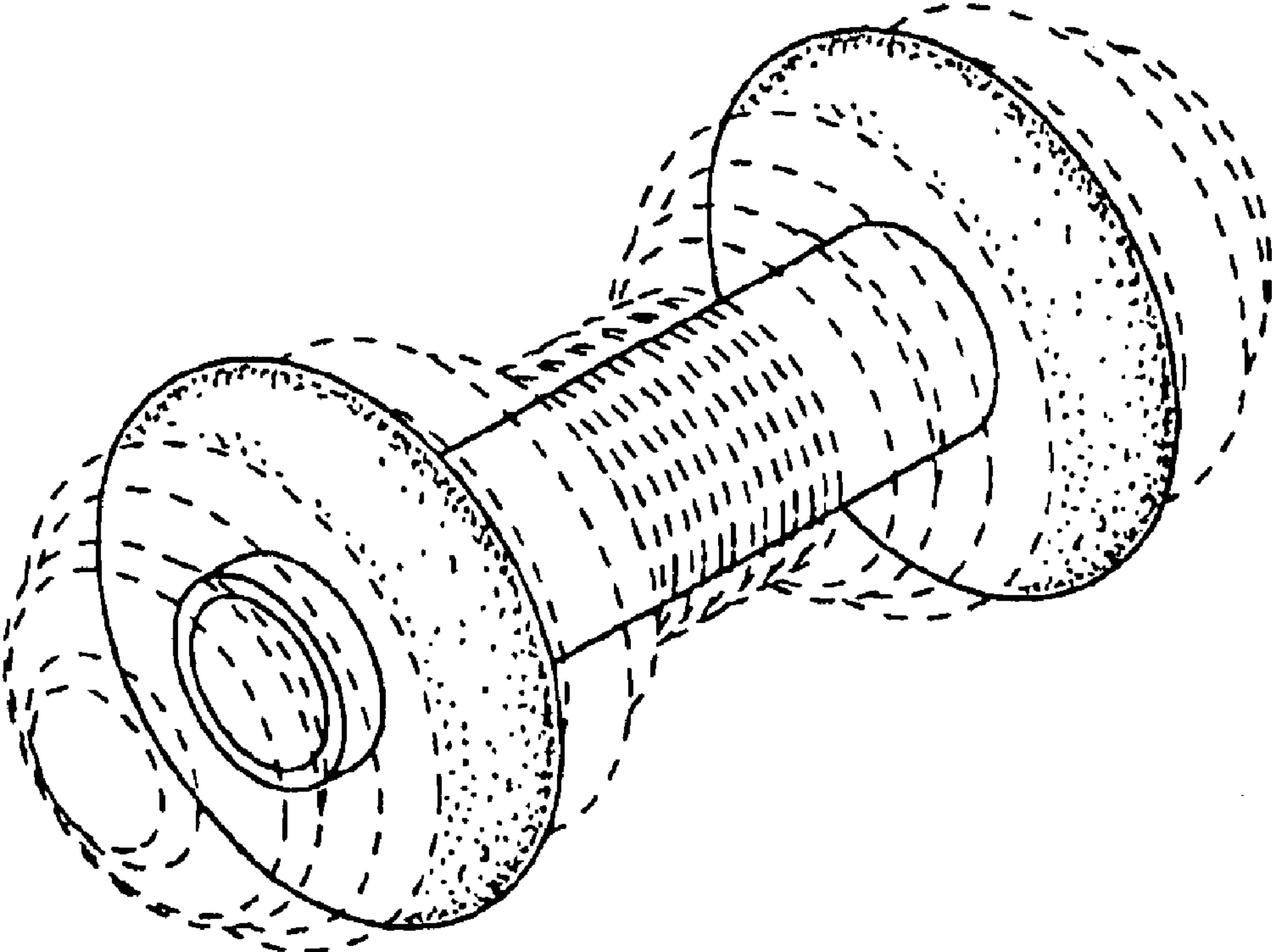


FIG. 1

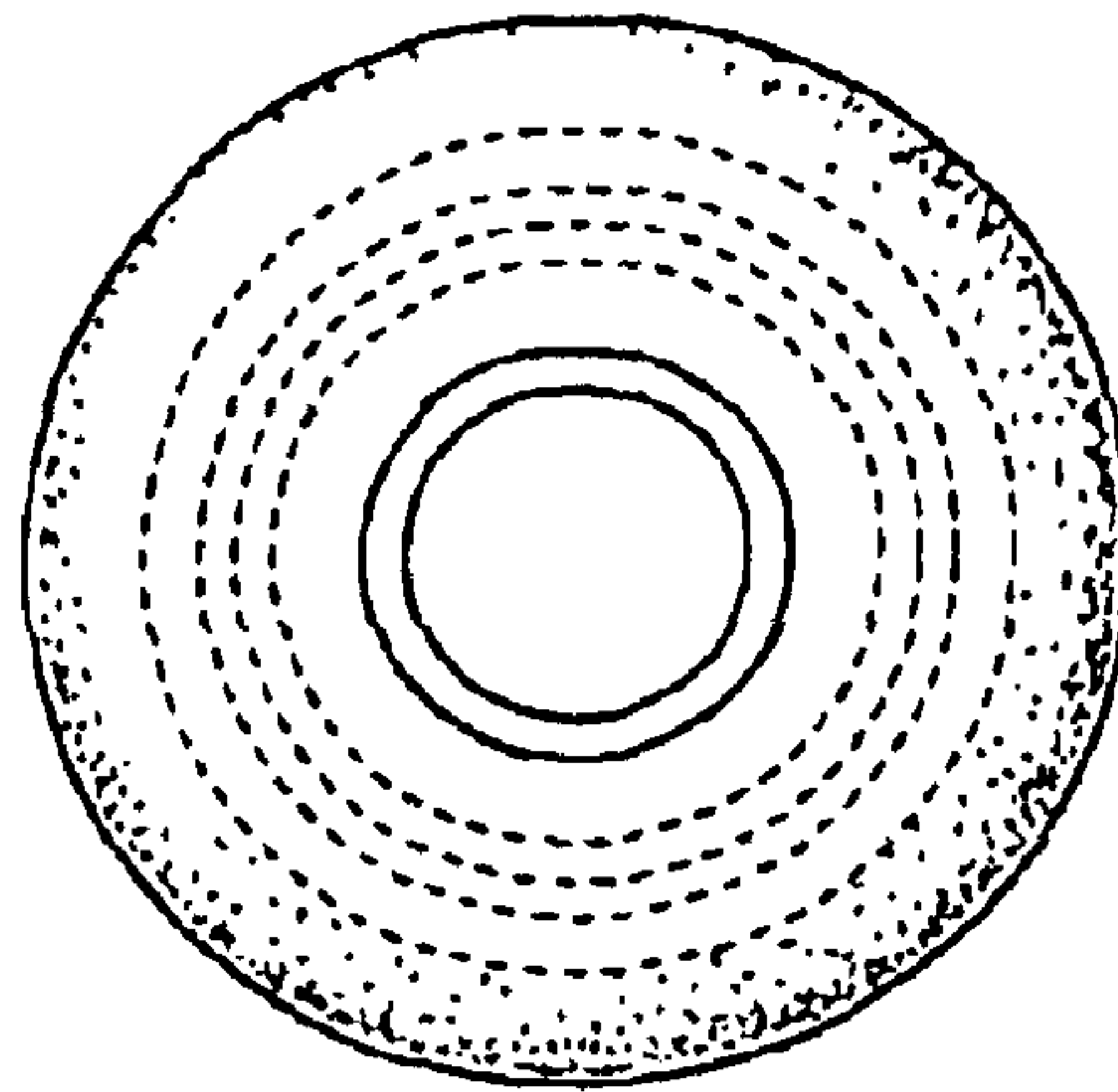


FIG. 2

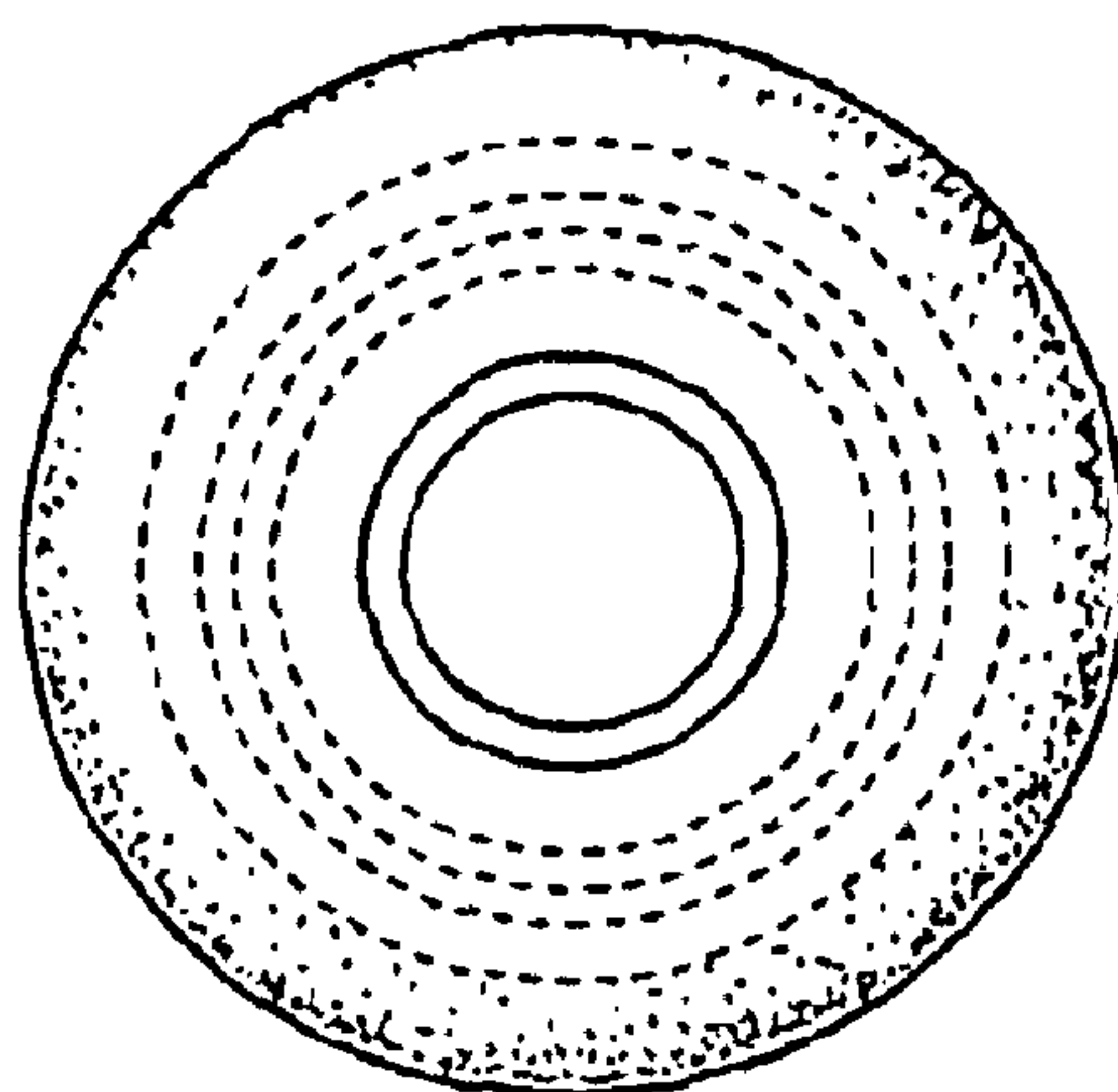


FIG. 3

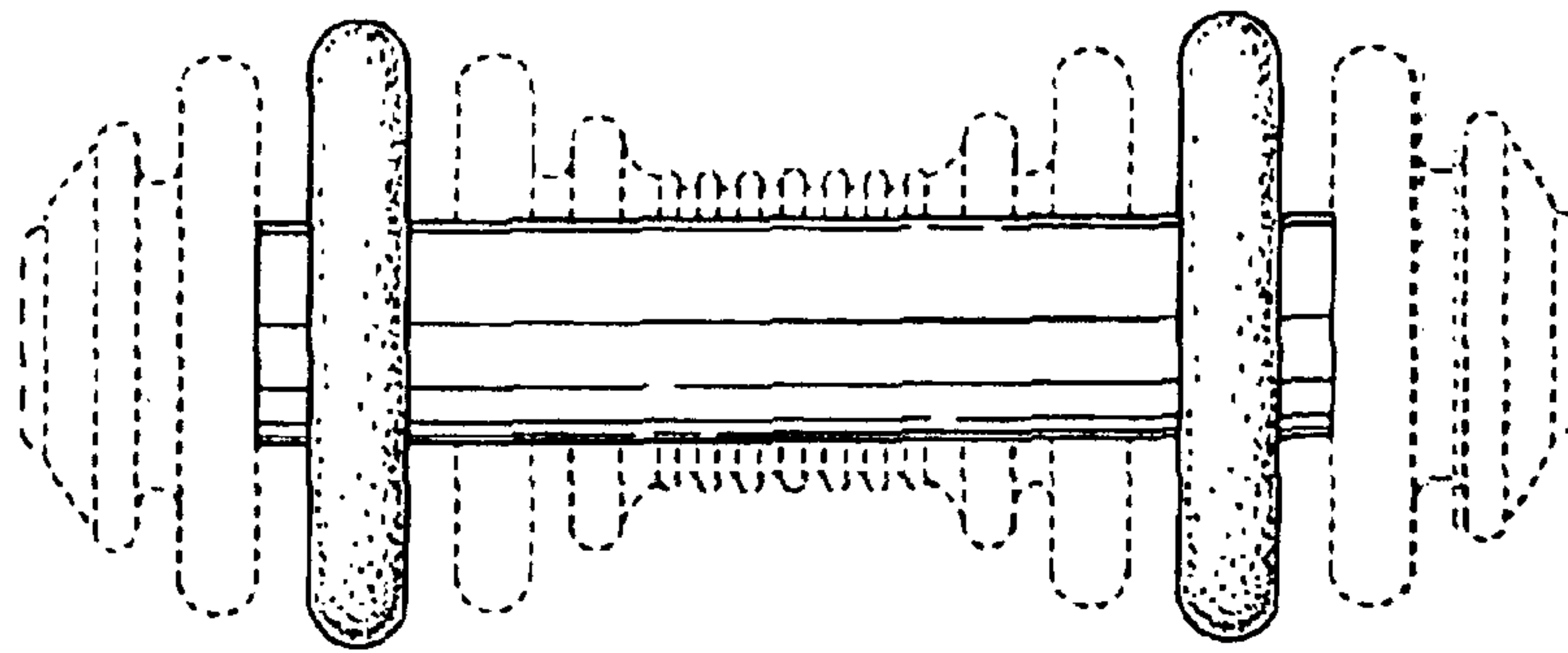


FIG.4