

US00D504746S

(12) **United States Design Patent**
Lee

(10) **Patent No.:** **US D504,746 S**

(45) **Date of Patent:** **** May 3, 2005**

(54) **ILLUMINANT BIRD FEEDER**

(76) **Inventor:** **Feng-Nien Lee**, 285, Chung Feng Rd.,
Pin Chen City, Taoyuan Hsien (TW)

(**) **Term:** **14 Years**

(21) **Appl. No.:** **29/209,991**

(22) **Filed:** **Jul. 23, 2004**

(51) **LOC (7) Cl.** **30-03**

(52) **U.S. Cl.** **D30/124; D26/67**

(58) **Field of Search** D30/124-128;
D26/137, 51, 67; 362/325; 119/51.1-51.2,
77, 428-429, 57.8-57.9, 69.5, 432, 51.01

(56) **References Cited**

U.S. PATENT DOCUMENTS

2,475,207 A	*	7/1949	Smith	119/52.2
3,548,186 A	*	12/1970	Brock	362/325
D386,835 S	*	11/1997	Passamare	D30/124
D428,537 S	*	7/2000	Miller	D30/124

D470,630 S	*	2/2003	Kuelbs	D30/128
D473,333 S	*	4/2003	Willmorth	D26/67
D485,930 S	*	1/2004	Chen	D26/67

* cited by examiner

Primary Examiner—Pamela Burgess

(74) *Attorney, Agent, or Firm*—Alan D. Kamrath

(57) **CLAIM**

The ornamental design for an illuminant bird feeder, as shown and described.

DESCRIPTION

FIG. 1 is a perspective view of an illuminant bird feeder showing my design;

FIG. 2 is a front elevational view thereof;

FIG. 3 is a rear elevational view thereof;

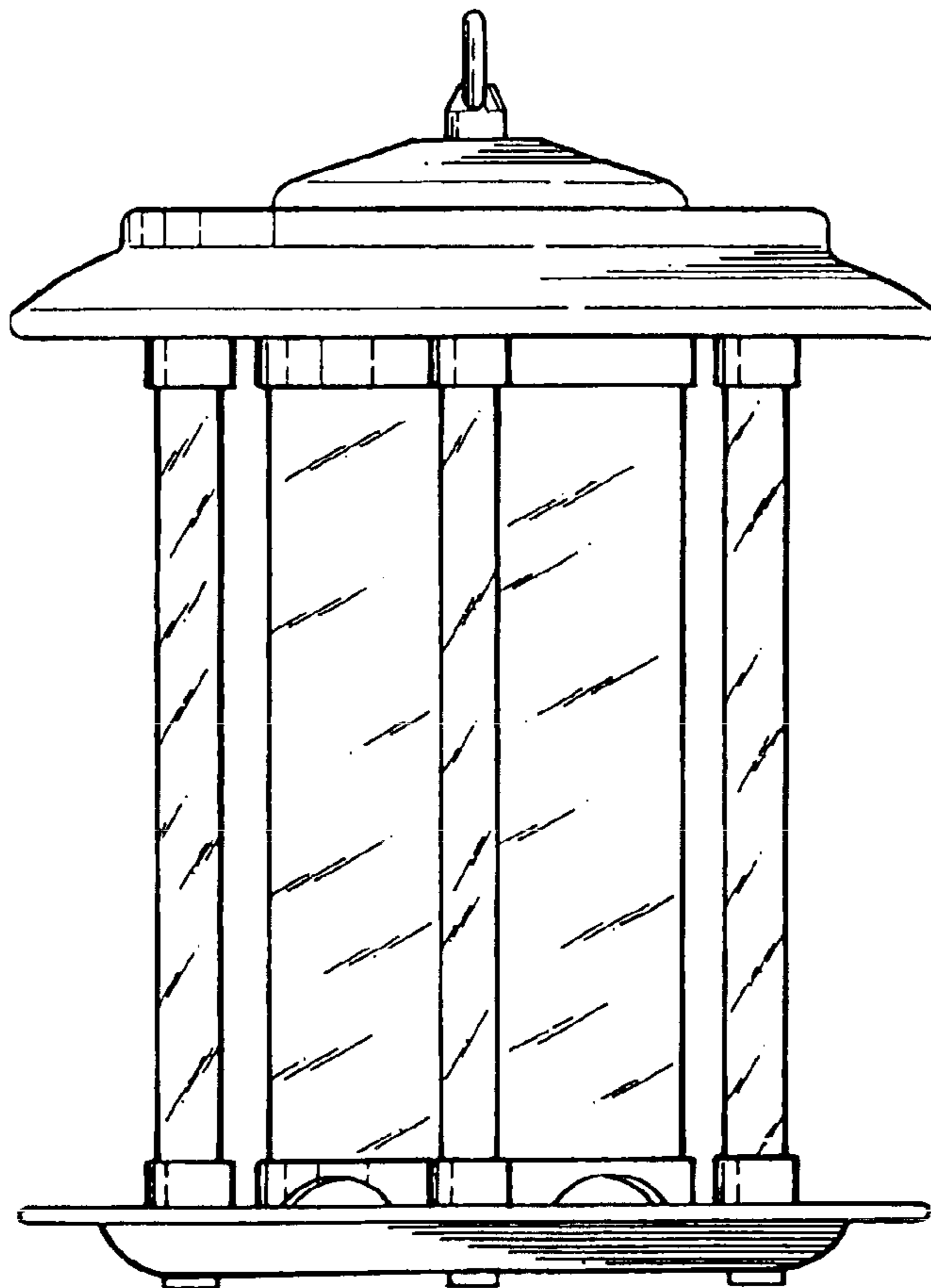
FIG. 4 is a left side elevational view thereof;

FIG. 5 is a right side elevational view thereof;

FIG. 6 is a top plan view thereof; and,

FIG. 7 is a bottom plan view thereof.

1 Claim, 5 Drawing Sheets



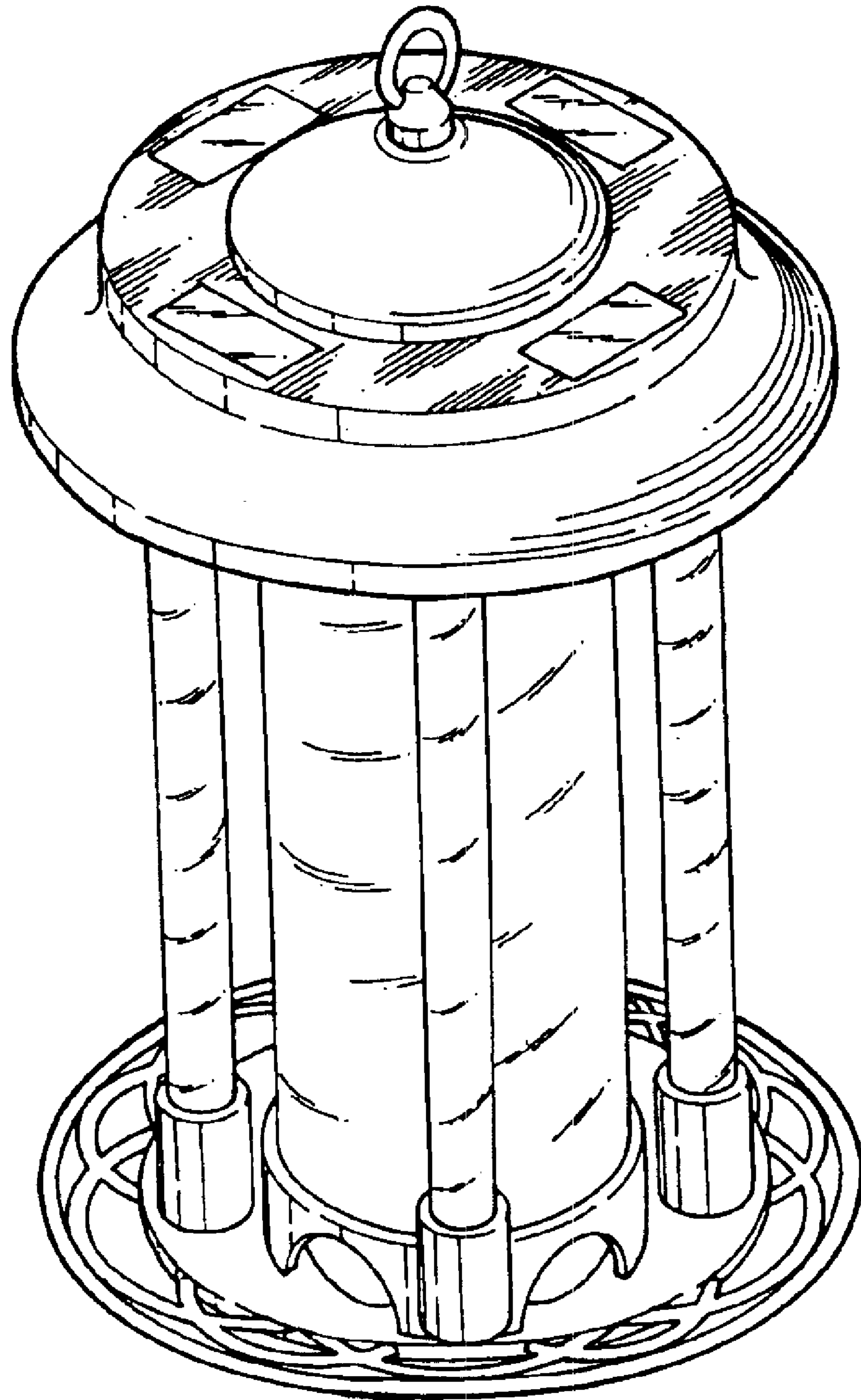


FIG 1

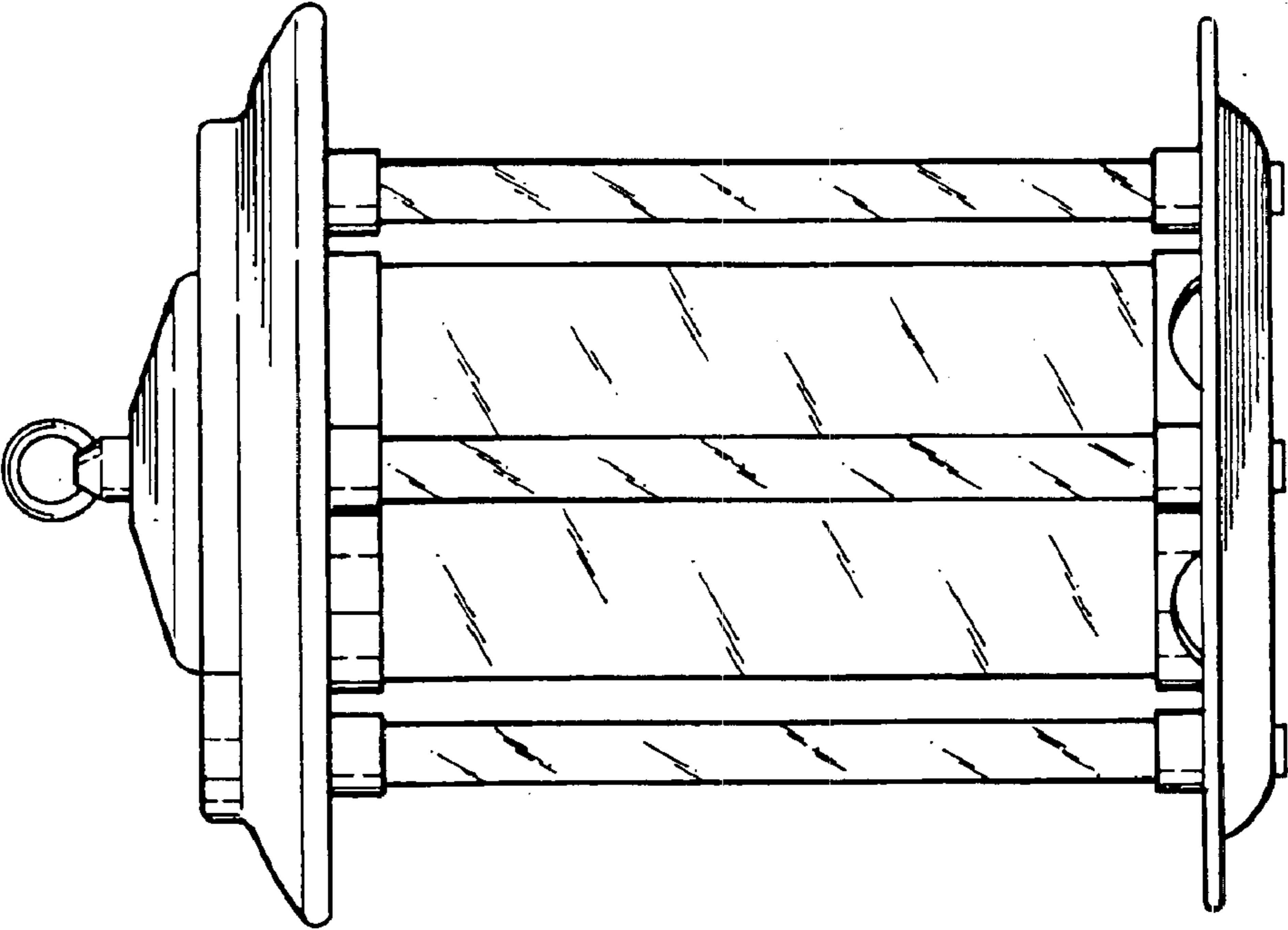


FIG 2

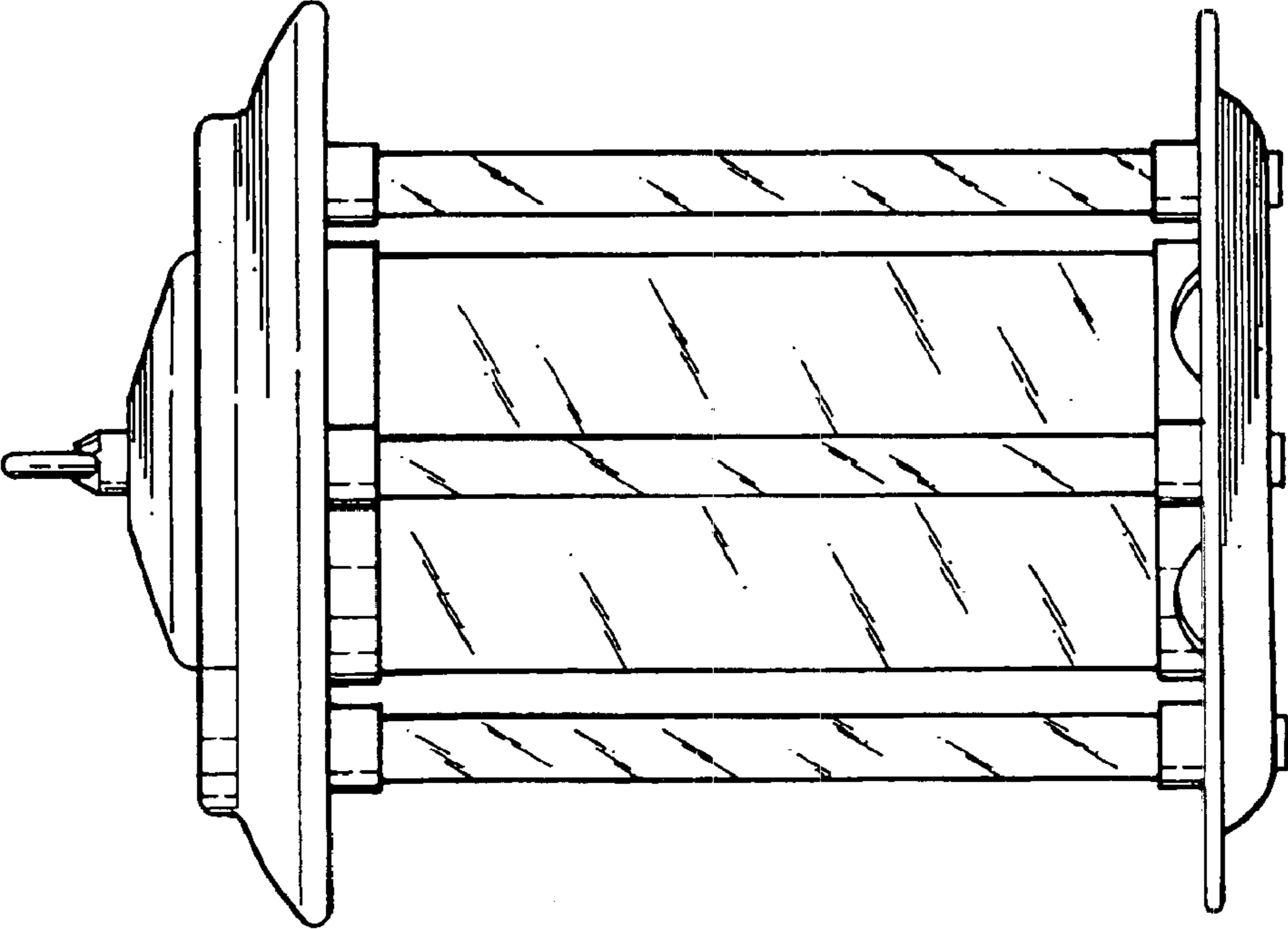


FIG 4

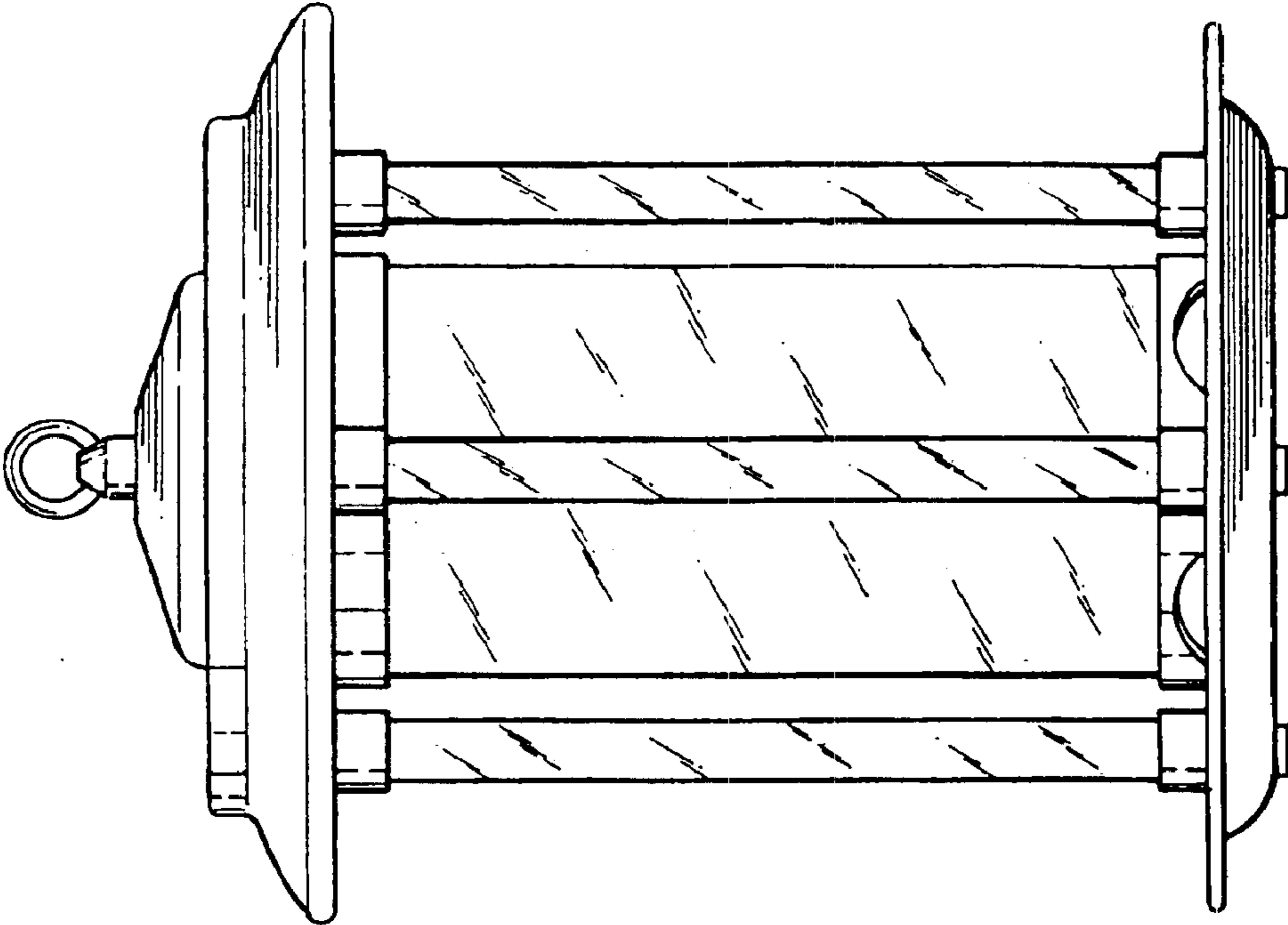


FIG 3

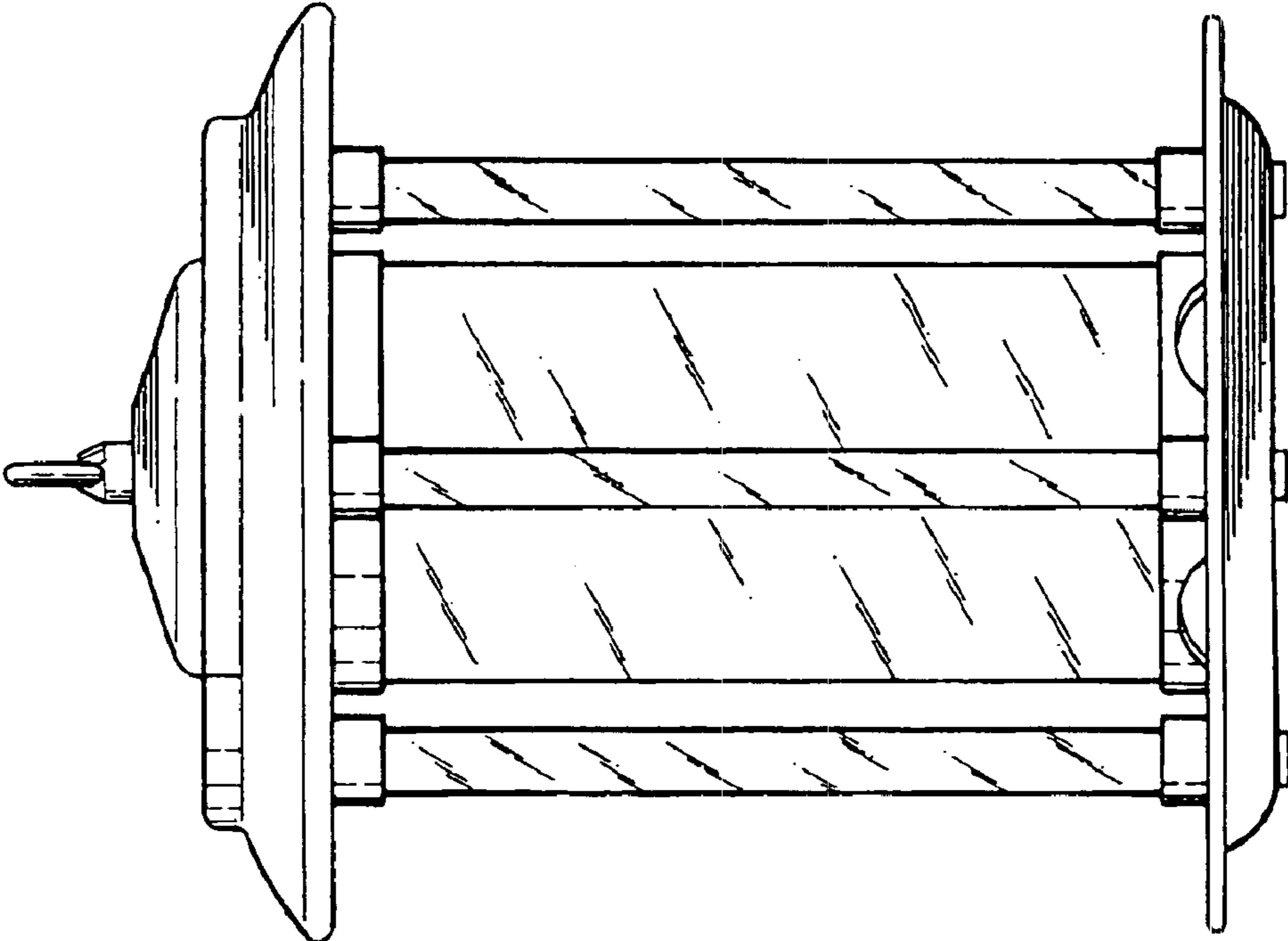


FIG 5

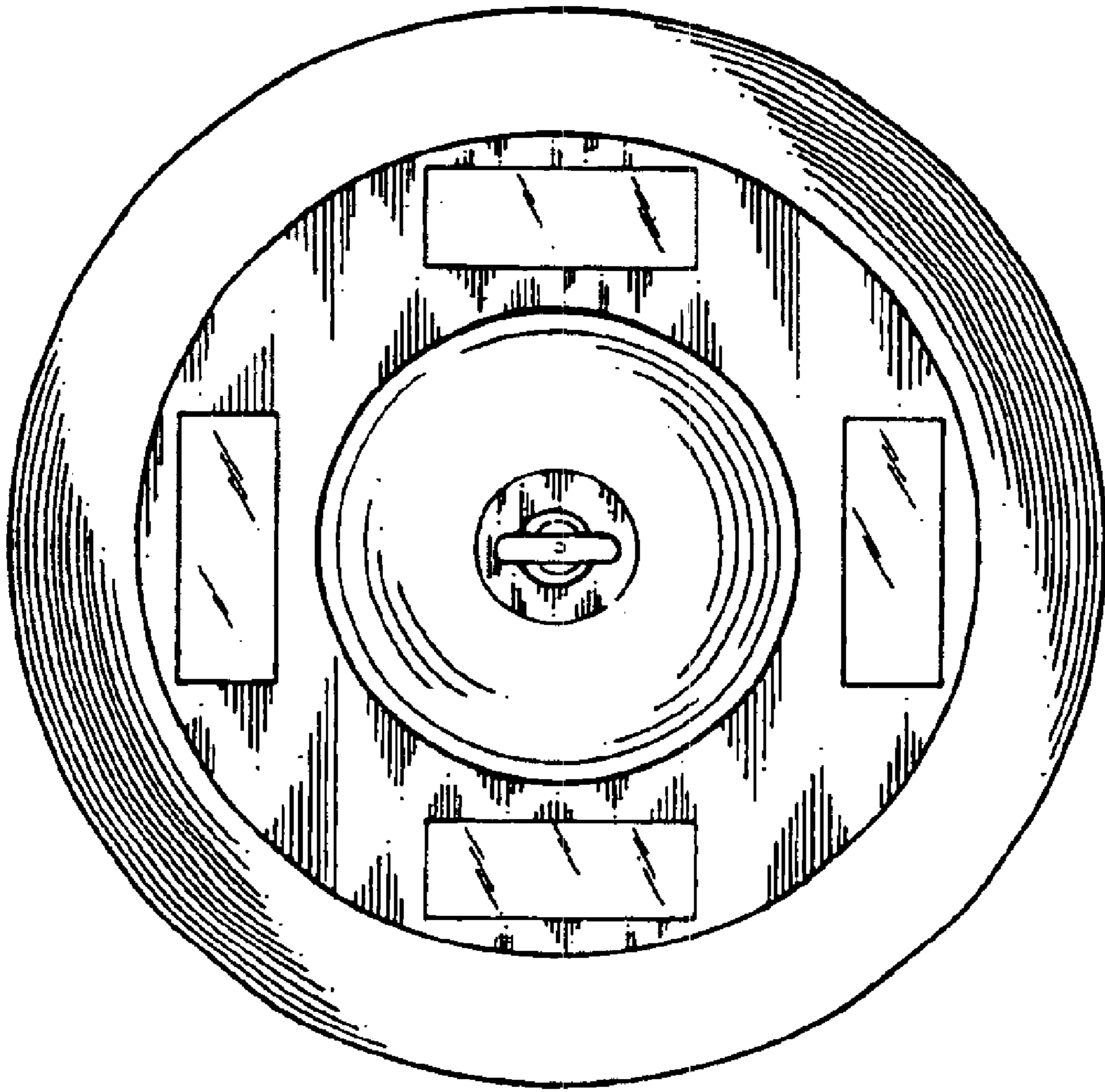


FIG 6

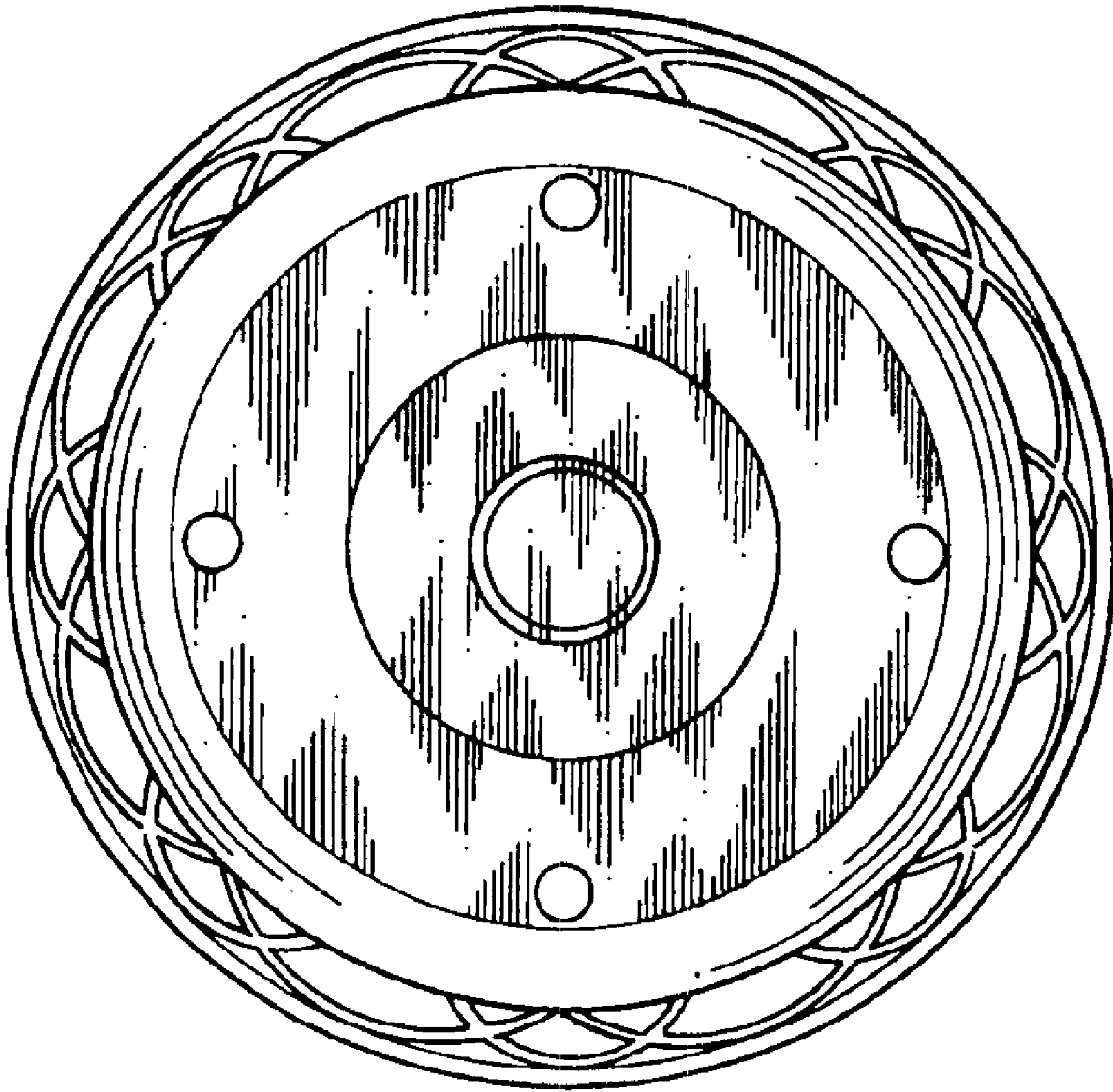


FIG 7