



US00D504743S

(12) **United States Design Patent**
Kostow

(10) **Patent No.:** **US D504,743 S**
(45) **Date of Patent:** **** May 3, 2005**

(54) **COMPACT**

(75) Inventor: **Clare Kostow**, New York, NY (US)

(73) Assignee: **L'Oreal S.A.**, Paris (FR)

(**) Term: **14 Years**

(21) Appl. No.: **29/195,349**

(22) Filed: **Dec. 10, 2003**

(51) **LOC (7) Cl.** **28-03**

(52) **U.S. Cl.** **D28/78**

(58) **Field of Search** D28/73, 76-84;
132/293-307, 314-318; 206/581, 823

(56) **References Cited**

U.S. PATENT DOCUMENTS

D267,983 S	2/1983	Cheung	D28/67
D285,177 S	* 8/1986	Goetz	D28/83
D305,164 S	* 12/1989	Hall	D28/83
D401,017 S	11/1998	Thorpe	D28/78
D407,855 S	4/1999	Orsomando	D28/83
D431,881 S	10/2000	Gavin	D28/78
D433,539 S	11/2000	Gavin	D28/78
D433,773 S	11/2000	Gavin	D28/83

D462,809 S * 9/2002 LaSpina et al. D28/78

* cited by examiner

Primary Examiner—Jennifer Rivard

(74) *Attorney, Agent, or Firm*—Baker Botts L.L.P.

(57) **CLAIM**

I claim the ornamental design for a compact, as shown and described.

DESCRIPTION

FIG. 1 is a three-dimensional perspective view of the compact of the present invention;

FIG. 2 is a three-dimensional perspective view with the compact top open;

FIG. 3 is a top view of the compact of the present invention;

FIG. 4 is a front view of the compact of the present invention;

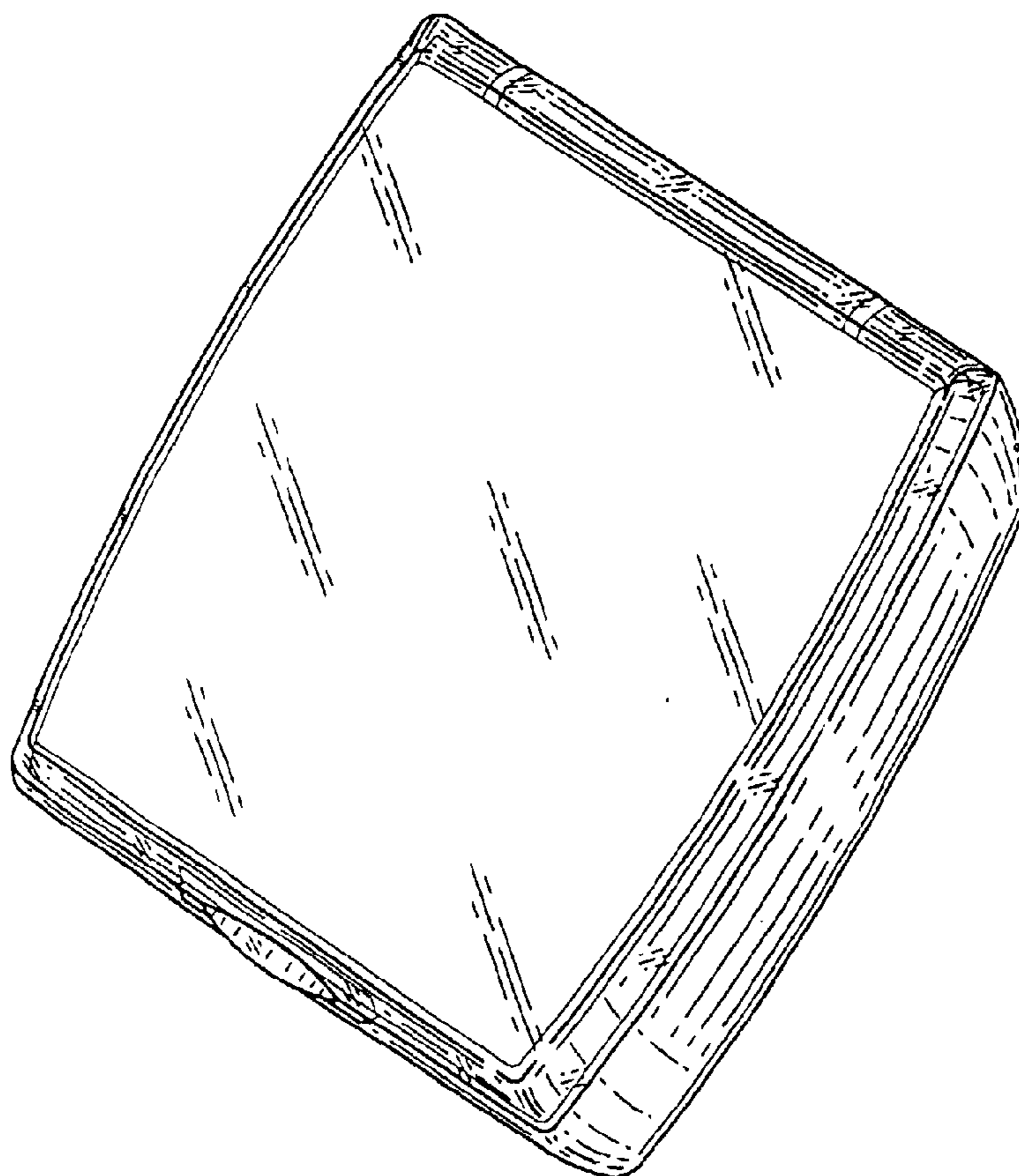
FIG. 5 is a back view of the compact of the present invention;

FIG. 6 is a side view of the compact of the present invention; and,

FIG. 7 is a bottom view of the compact of the present invention.

The broken lines are shown for illustrative purposes only and form no part of the claimed design.

1 Claim, 2 Drawing Sheets



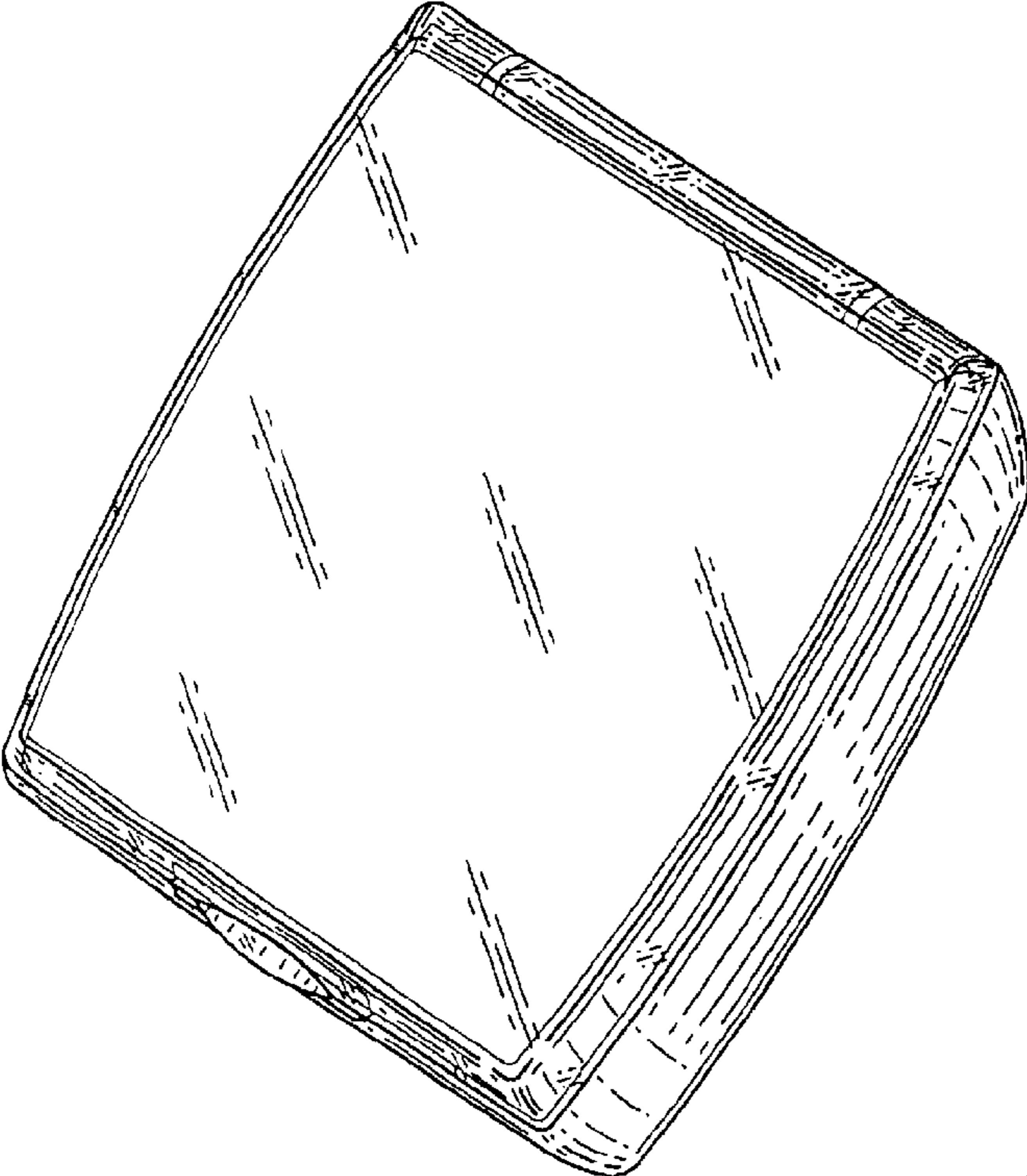


FIG. 1

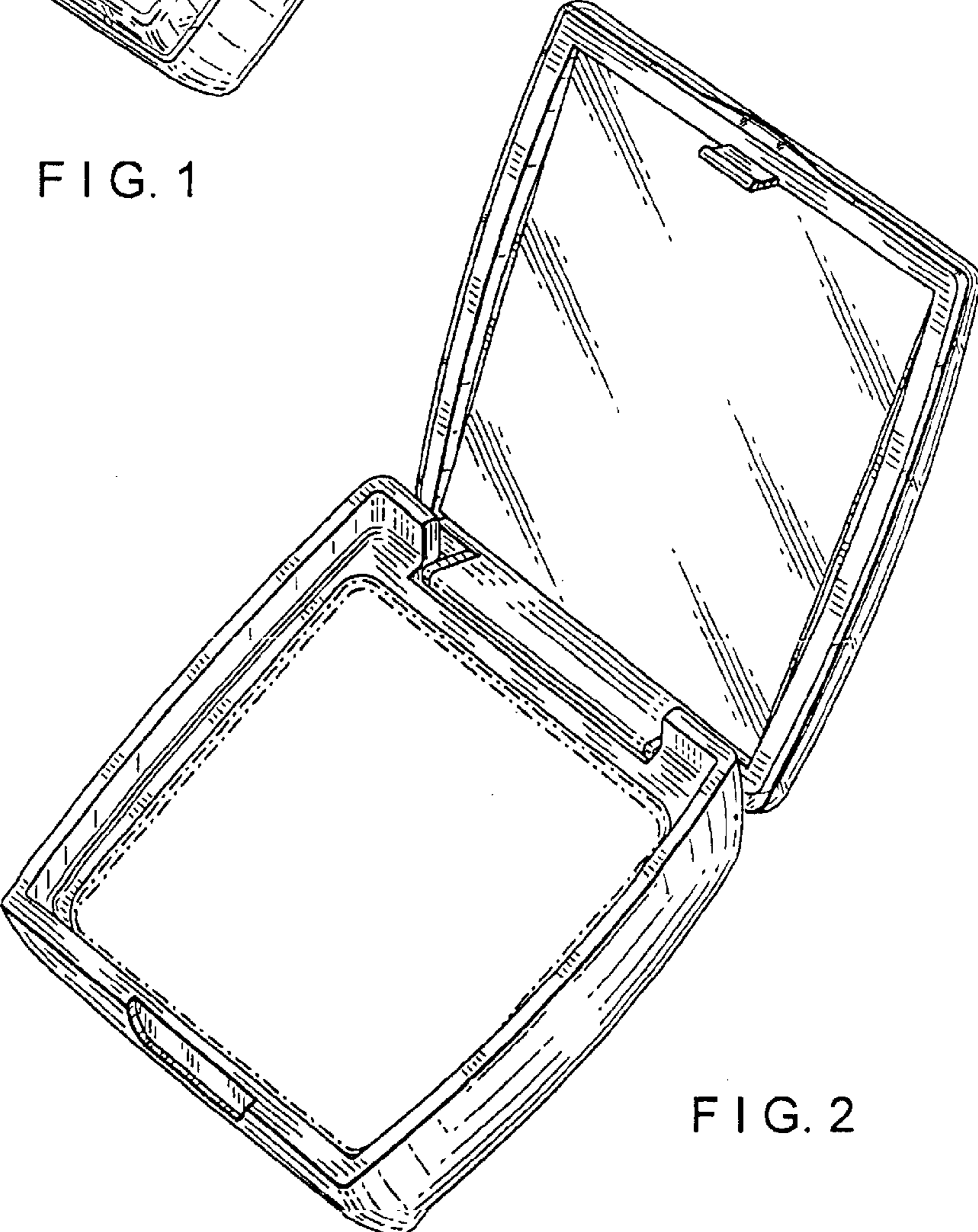


FIG. 2

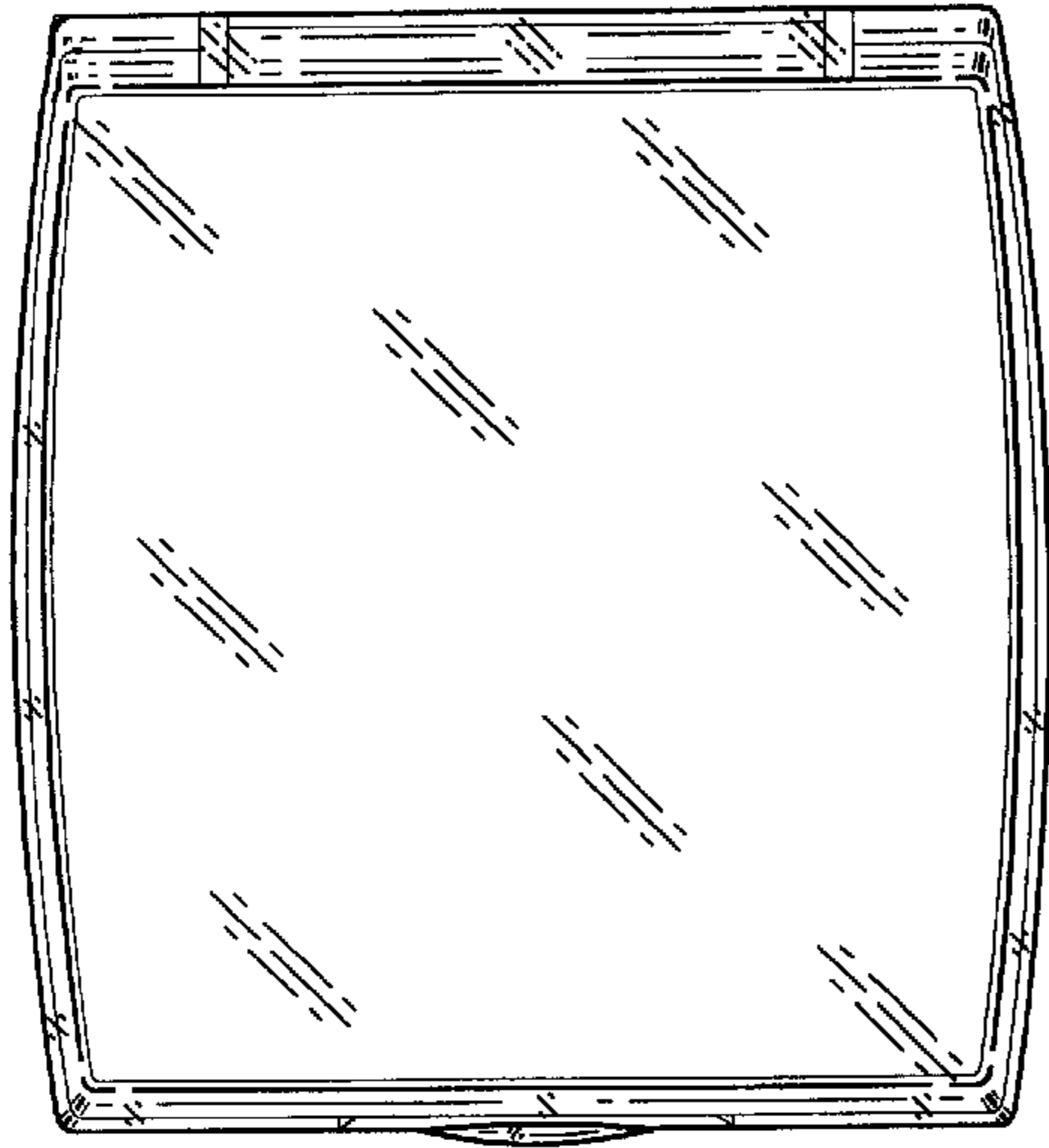


FIG. 3

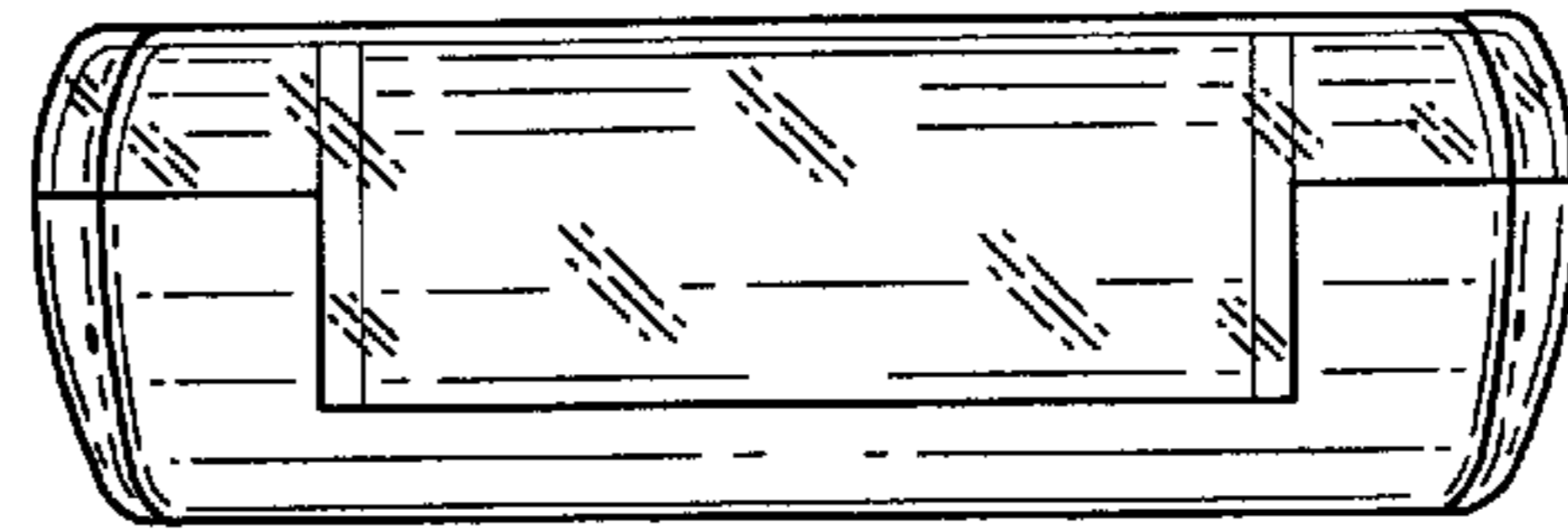


FIG. 5

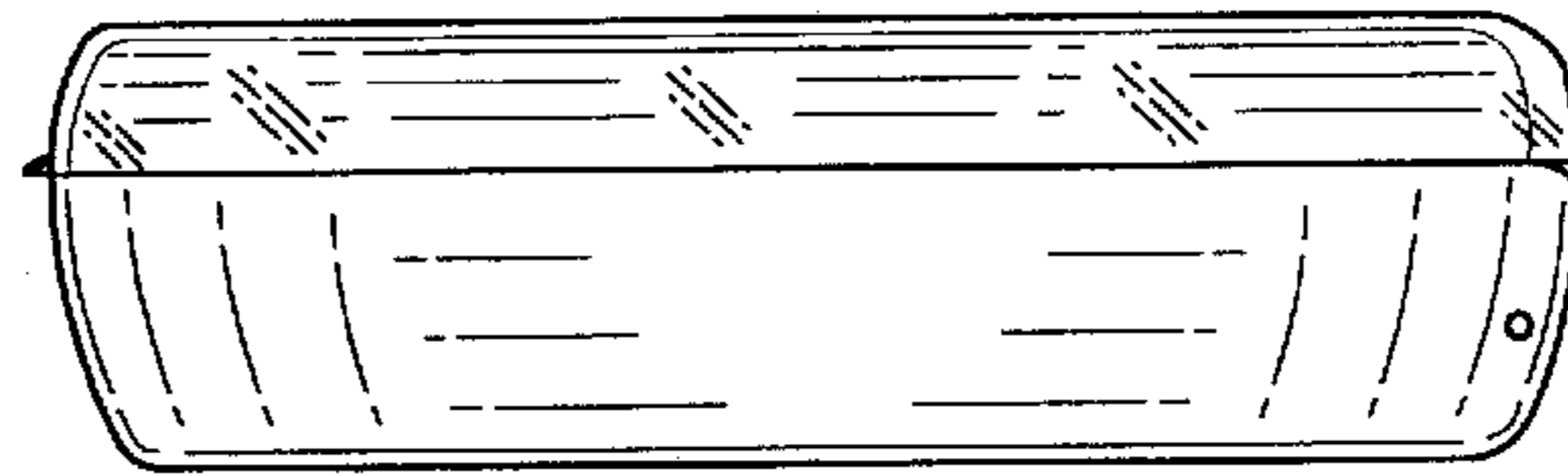


FIG. 6

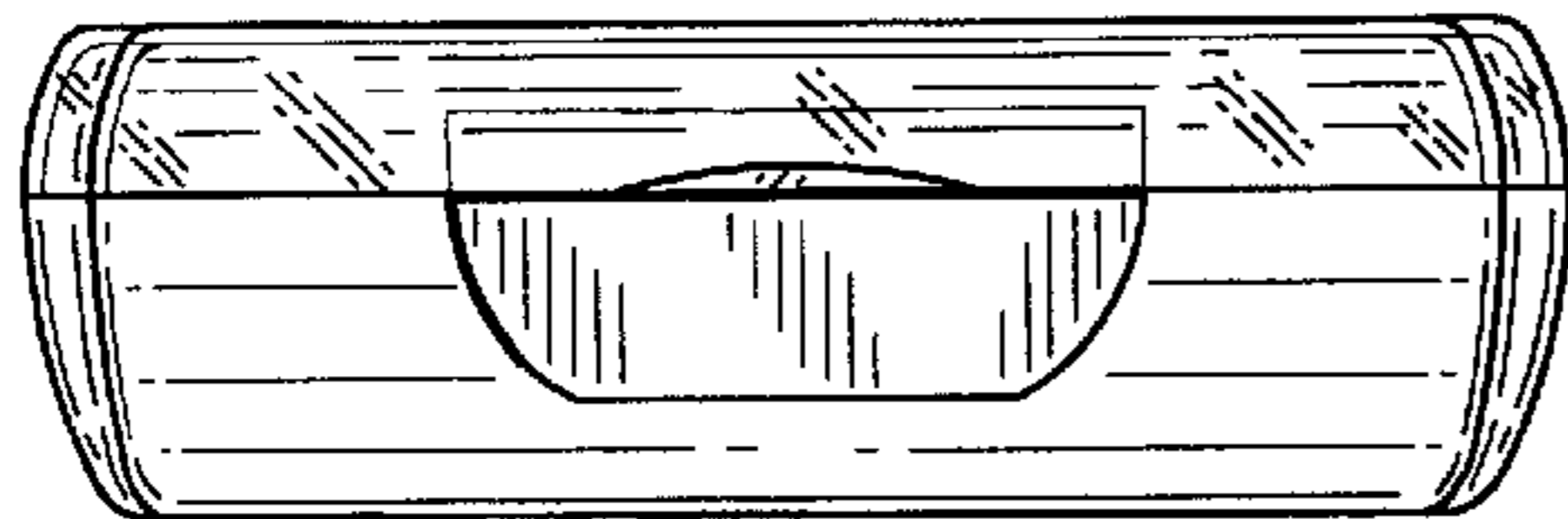


FIG. 4

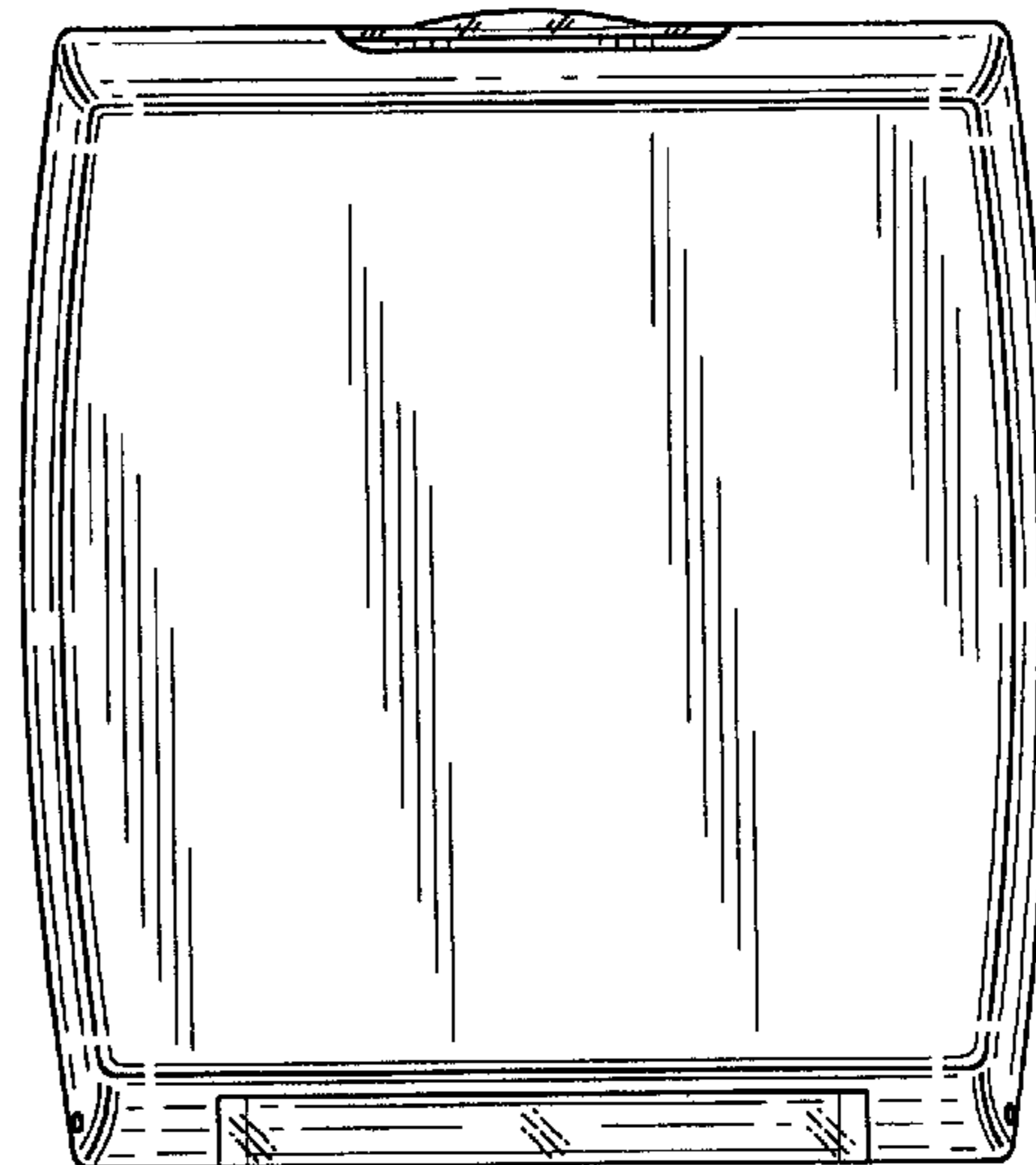


FIG. 7