

US00D504739S

(12) **United States Design Patent** (10) **Patent No.:** **US D504,739 S**
Muhlnickel (45) **Date of Patent:** **** May 3, 2005**

(54) **FLASHLIGHT**

(76) Inventor: **Donald L. Muhlnickel**, 19519-2
Industrial Dr., P.O. Box 9, New Paris,
IN (US) 46553

(**) Term: **14 Years**

(21) Appl. No.: **29/204,273**

(22) Filed: **Apr. 27, 2004**

(51) **LOC (7) Cl.** **26-02**

(52) **U.S. Cl.** **D26/47**

(58) **Field of Search** D26/37-50; D22/108;
362/157, 158, 171-174, 183-208

(56) **References Cited**

U.S. PATENT DOCUMENTS

3,244,871 A *	4/1966	Feldman	D26/47
D263,508 S *	3/1982	Hubachek	D26/47
D478,146 S *	8/2003	Wygant	D22/108

* cited by examiner

Primary Examiner—Marcus A. Jackson

(74) *Attorney, Agent, or Firm*—Ronald Foster; Botkin & Hall, LLP

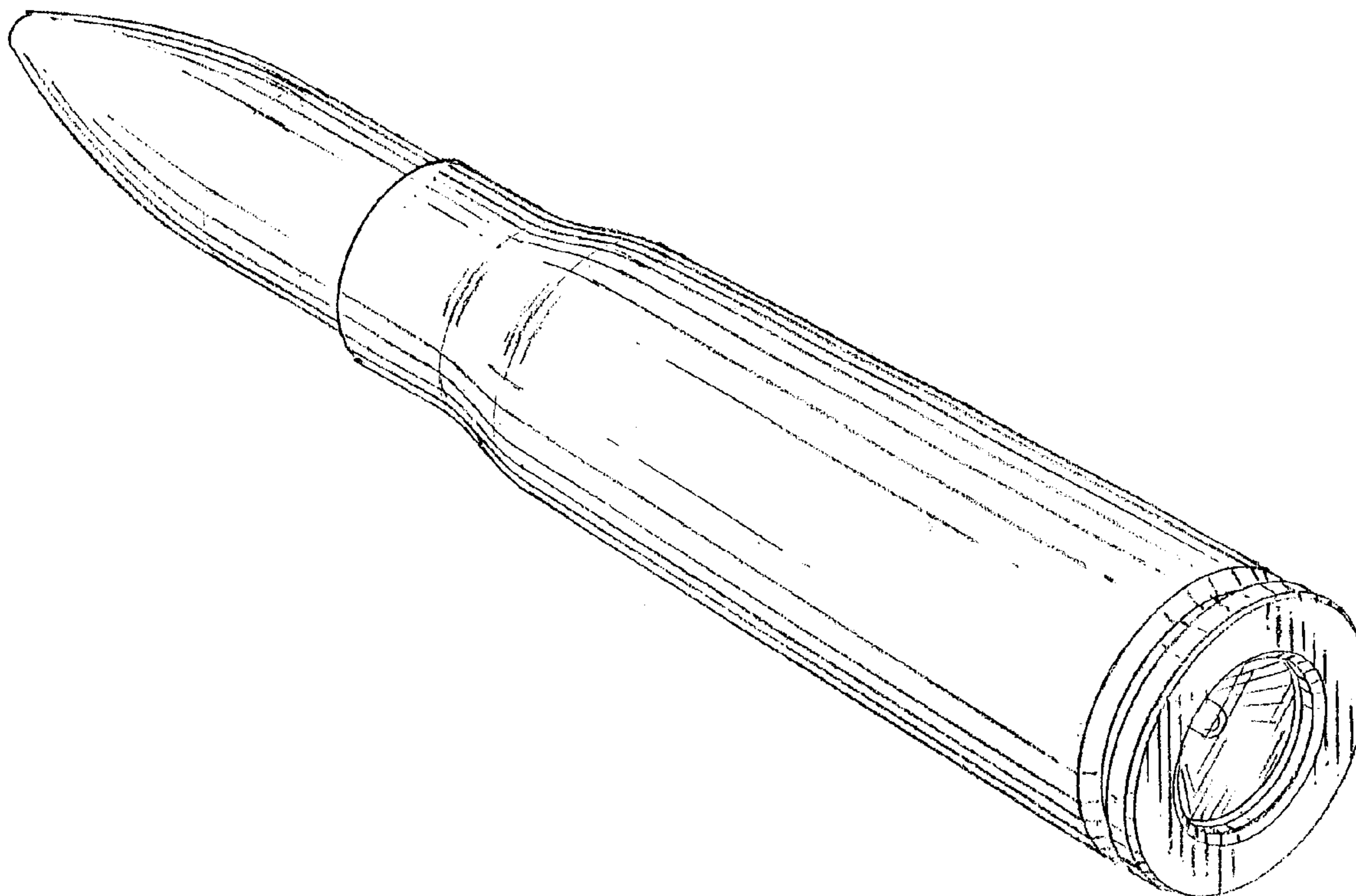
(57) **CLAIM**

The ornamental design for a flashlight, as shown and described.

DESCRIPTION

FIG. 1 is a front and side perspective view of a first embodiment of a flashlight showing my new design;
 FIG. 2 is a side view of the first embodiment thereof;
 FIG. 3 is a rear view of the first embodiment thereof;
 FIG. 4 is a front view of the first embodiment thereof;
 FIG. 5 is a front and side perspective view of a second embodiment of a flashlight showing my new design;
 FIG. 6 is a side view of the second embodiment thereof;
 FIG. 7 is a rear view of the second embodiment thereof; and,
 FIG. 8 is a front view of the second embodiment thereof.

1 Claim, 2 Drawing Sheets



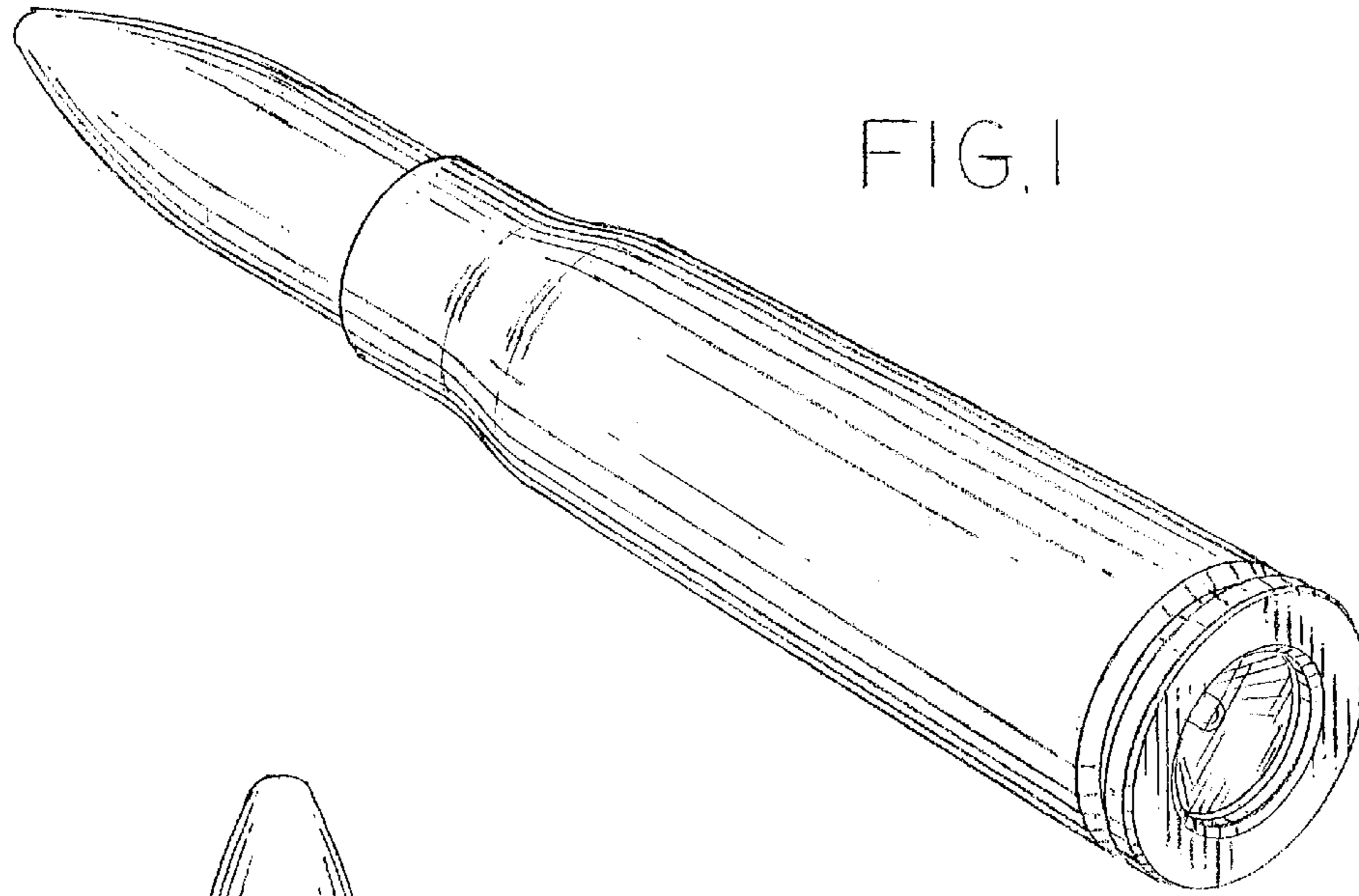


FIG. 2

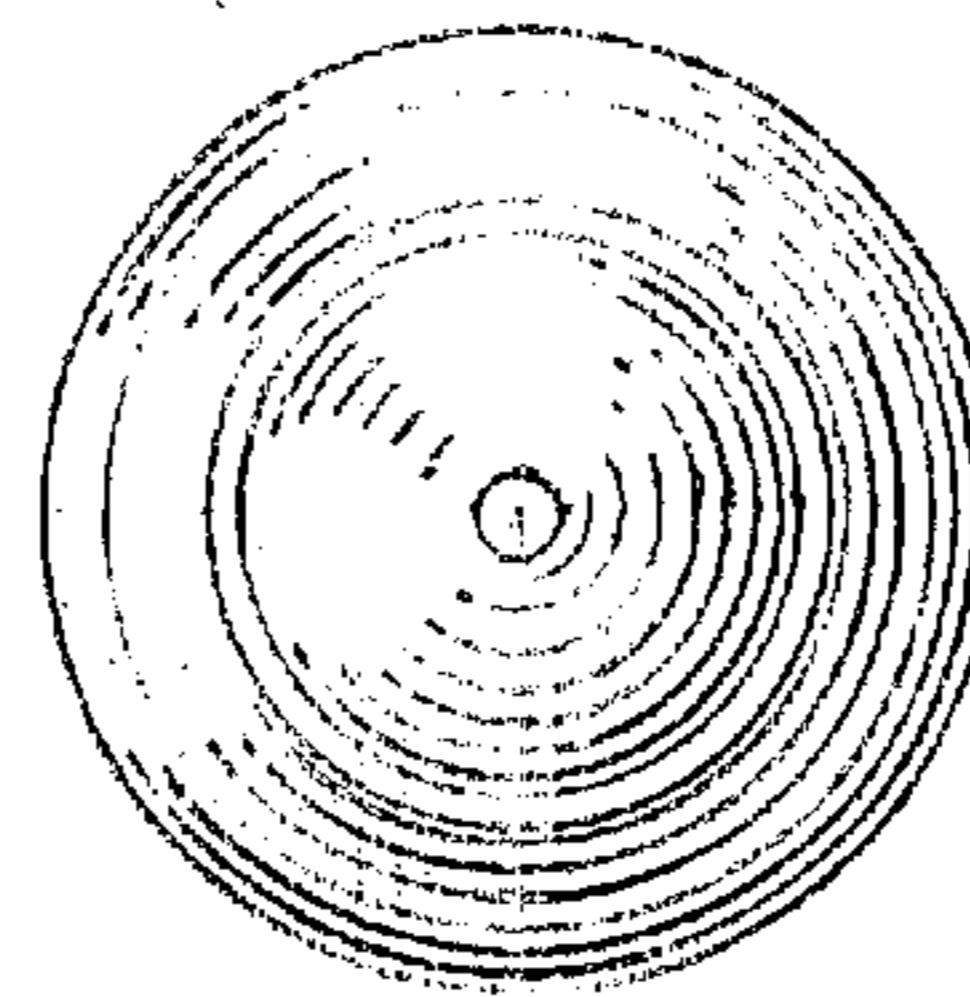
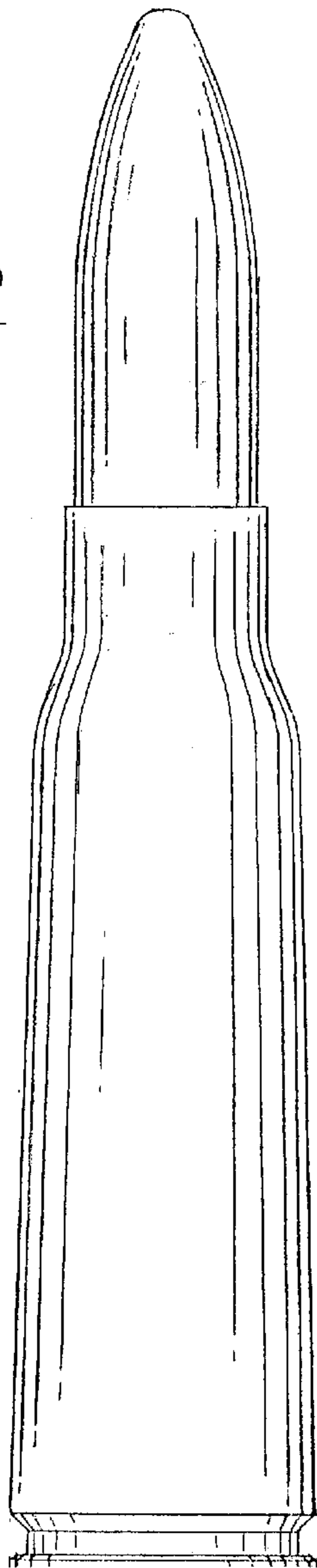


FIG. 3

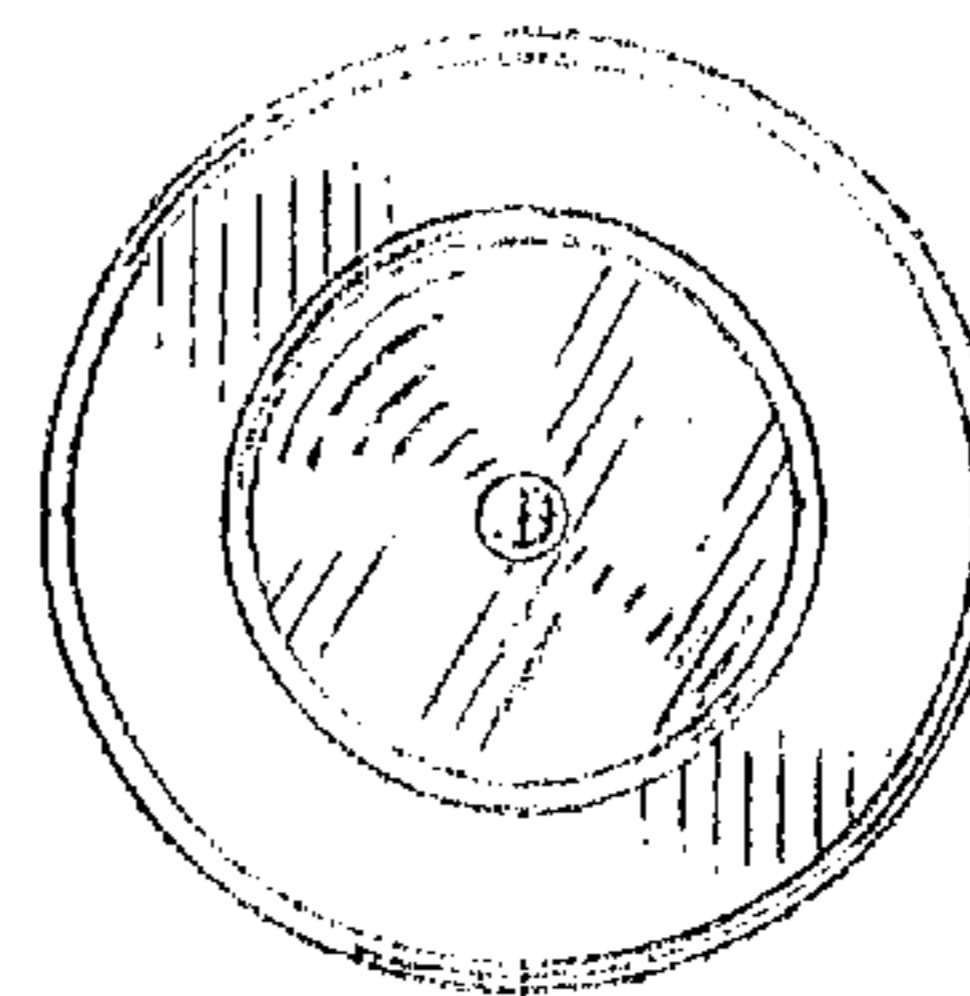


FIG. 4

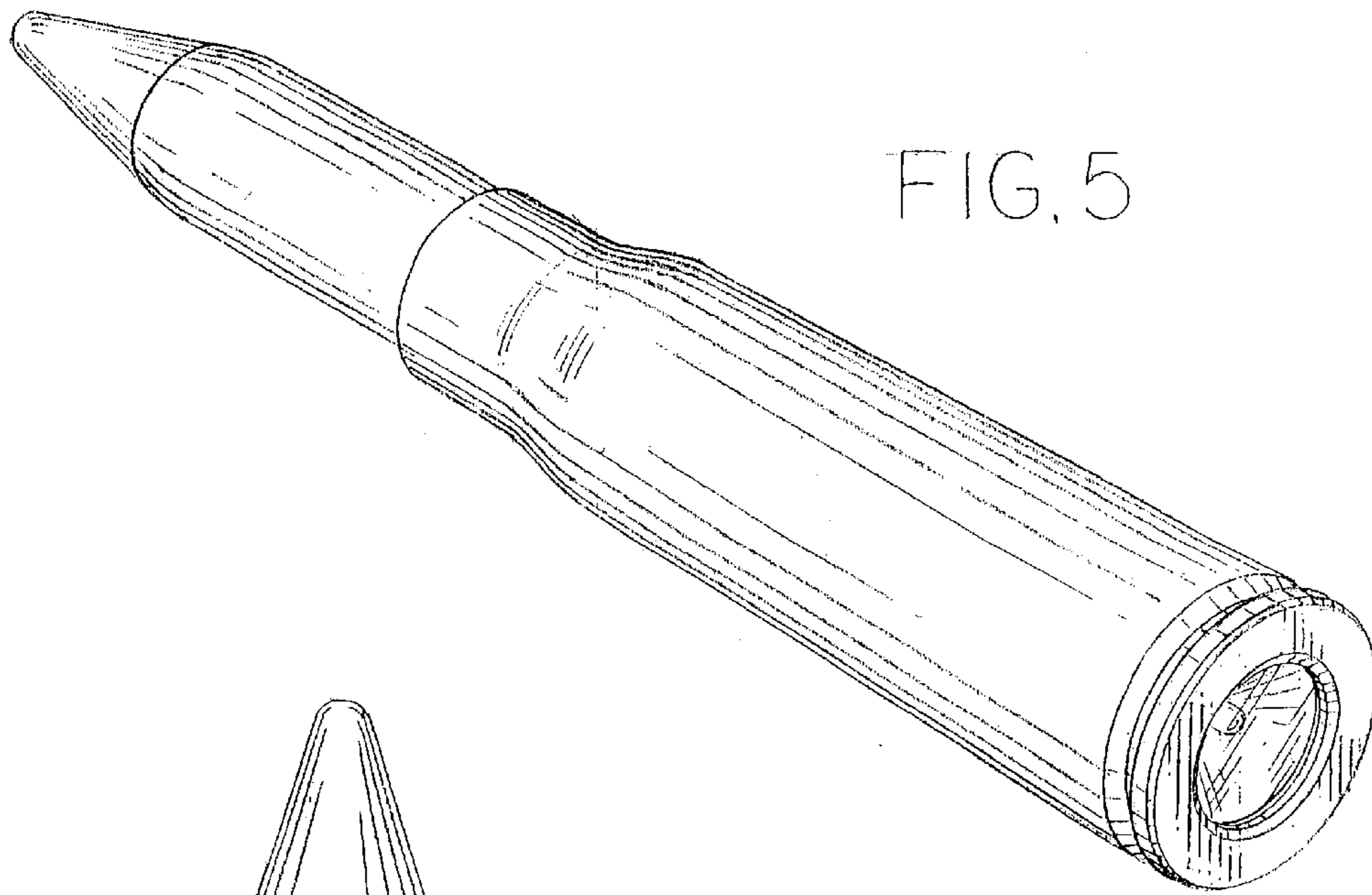


FIG. 5

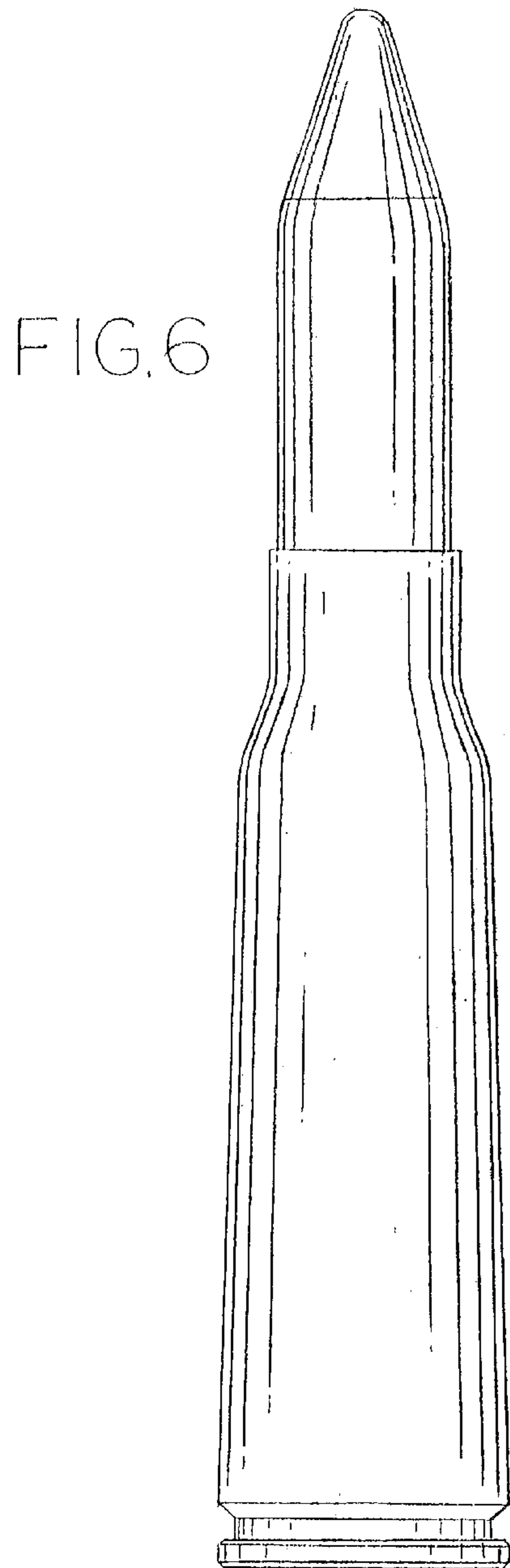


FIG. 6

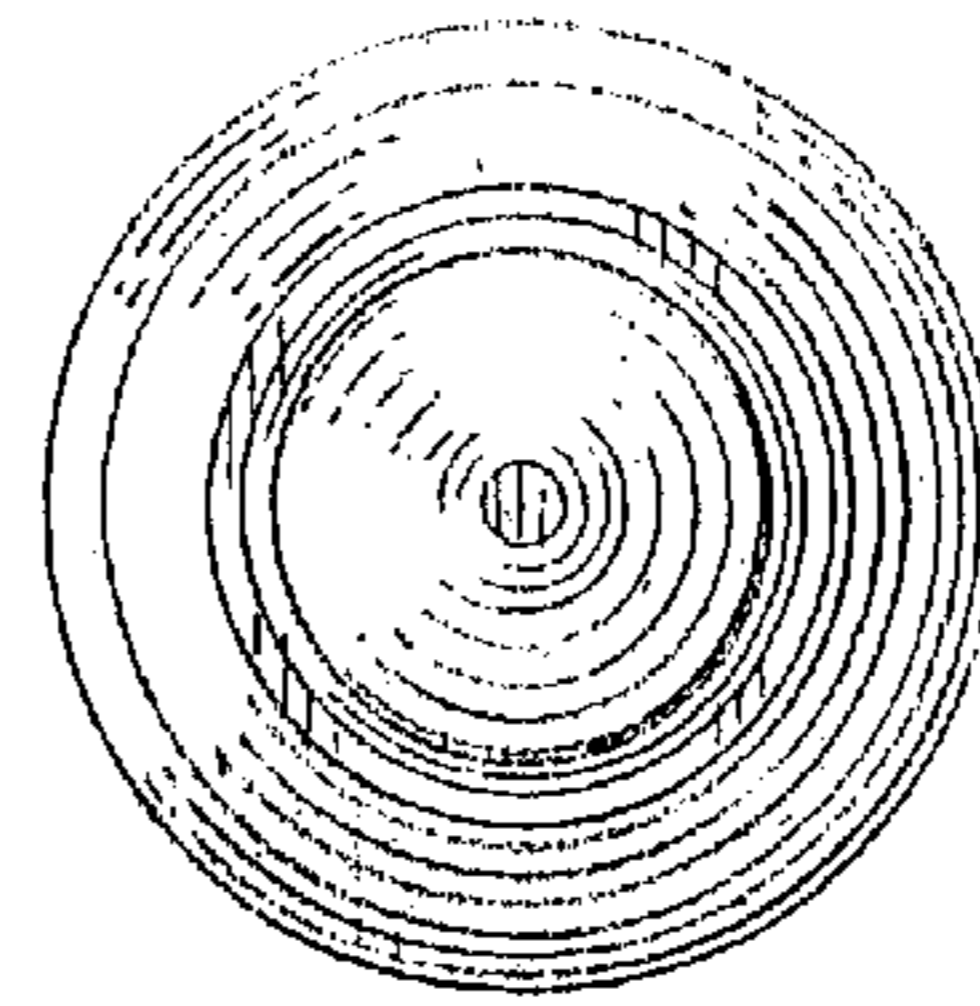


FIG. 7

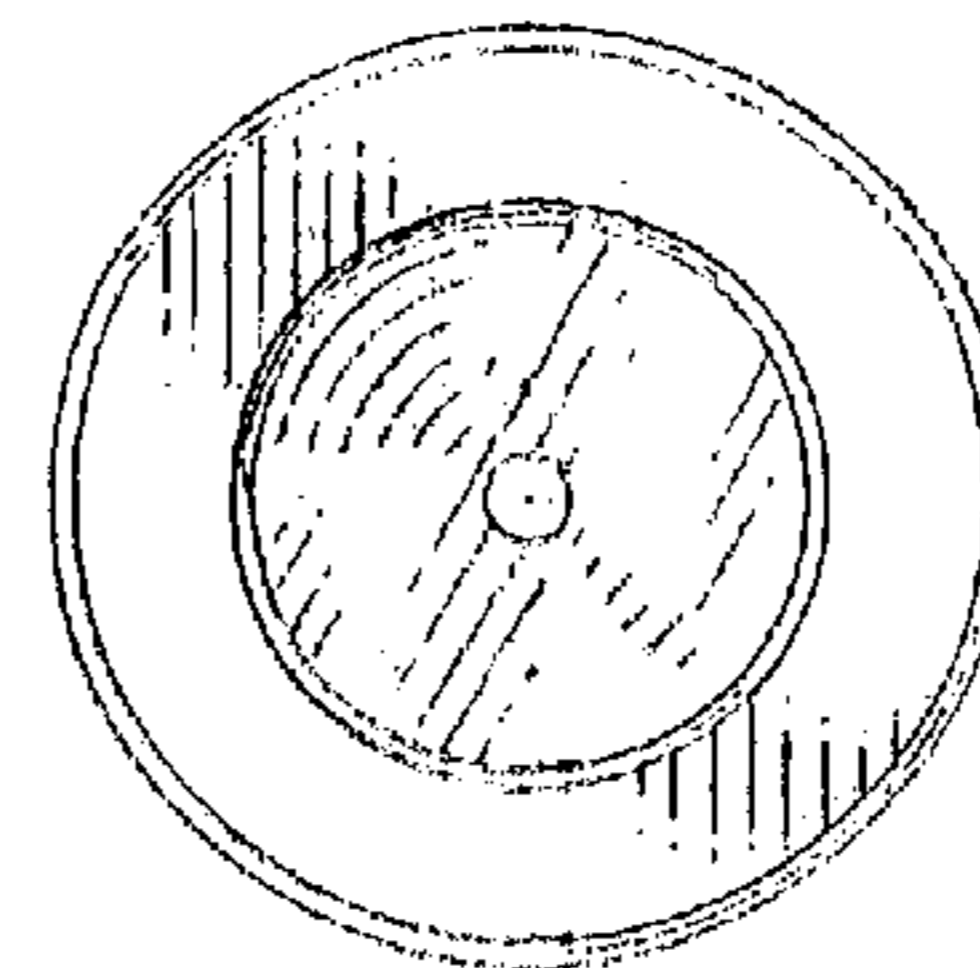


FIG. 8