



US00D504738S

(12) **United States Design Patent**  
**Rachwal**

(10) **Patent No.:** **US D504,738 S**

(45) **Date of Patent:** **\*\* May 3, 2005**

(54) **FLASHLIGHT**

(76) **Inventor:** **Ervin J. Rachwal**, 4975 Southern Wood Dr., Sarasota, FL (US) 34241

(\*\*) **Term:** **14 Years**

(21) **Appl. No.:** **29/213,397**

(22) **Filed:** **Sep. 16, 2004**

(51) **LOC (7) Cl.** ..... **26-02**

(52) **U.S. Cl.** ..... **D26/41**

(58) **Field of Search** ..... D26/37-50; 362/157, 362/158, 171-174, 183-208

(56) **References Cited**

**U.S. PATENT DOCUMENTS**

- D342,800 S \* 12/1993 Petterson et al. .... D26/41
- D363,563 S \* 10/1995 Yuen ..... D26/42
- D425,642 S \* 5/2000 Zeller ..... D26/44

\* cited by examiner

*Primary Examiner*—Marcus A. Jackson

(74) *Attorney, Agent, or Firm*—Tarolli, Sundheim, Covell & Tummino L.L.P.

(57) **CLAIM**

The ornamental design for flashlight, as shown.

**DESCRIPTION**

FIG. 1 is an enlarged pictorial illustration of our new and original design for a flashlight;

FIG. 2 is a side elevational view of FIG. 1;

FIG. 3 is a rear elevational view of FIG. 1;

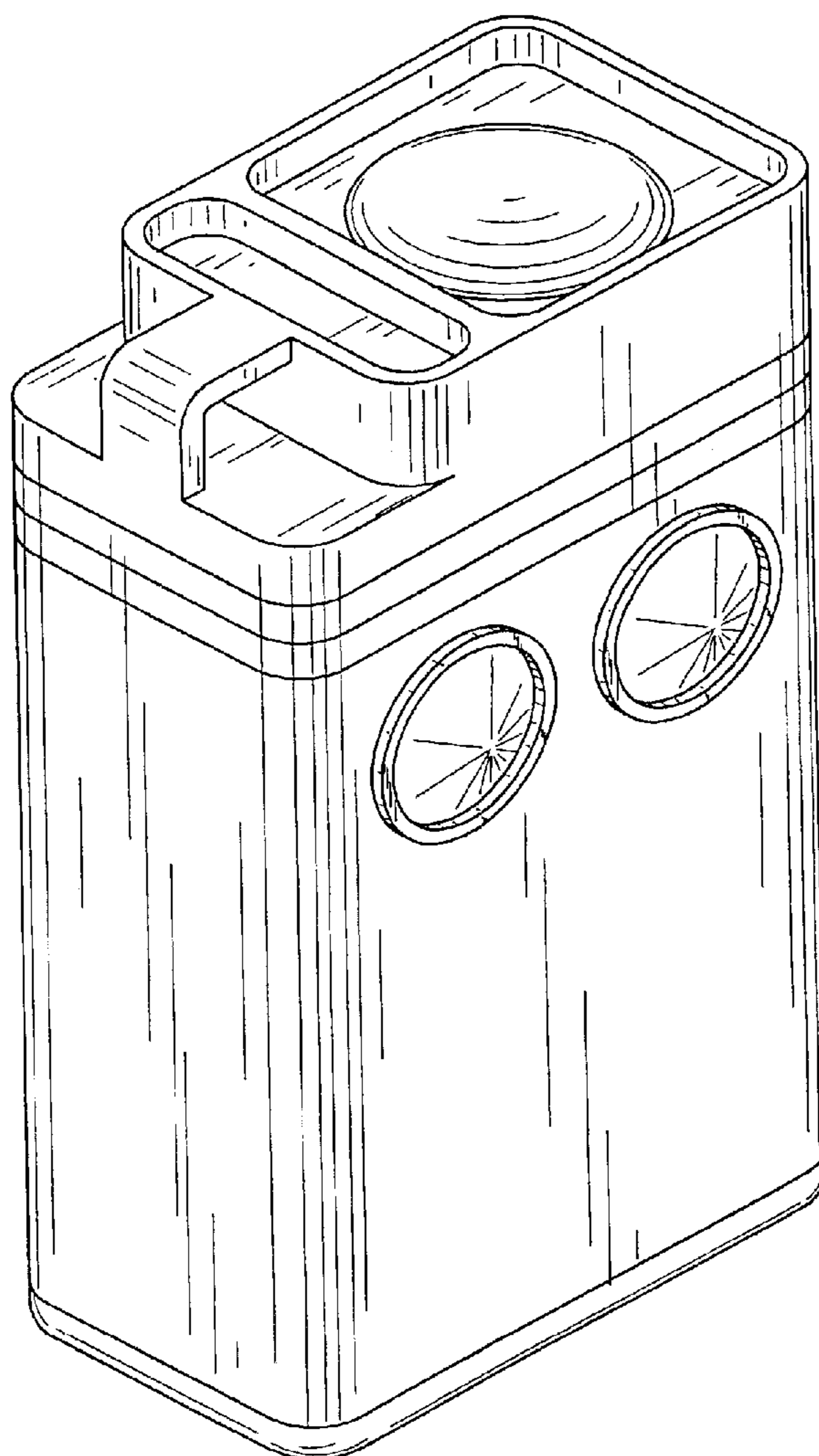
FIG. 4 is a side elevational view of FIG. 1;

FIG. 5 is a front elevational view of FIG. 1;

FIG. 6 is a top plan view of FIG. 1; and,

FIG. 7 is a bottom plan view of FIG. 1.

**1 Claim, 3 Drawing Sheets**



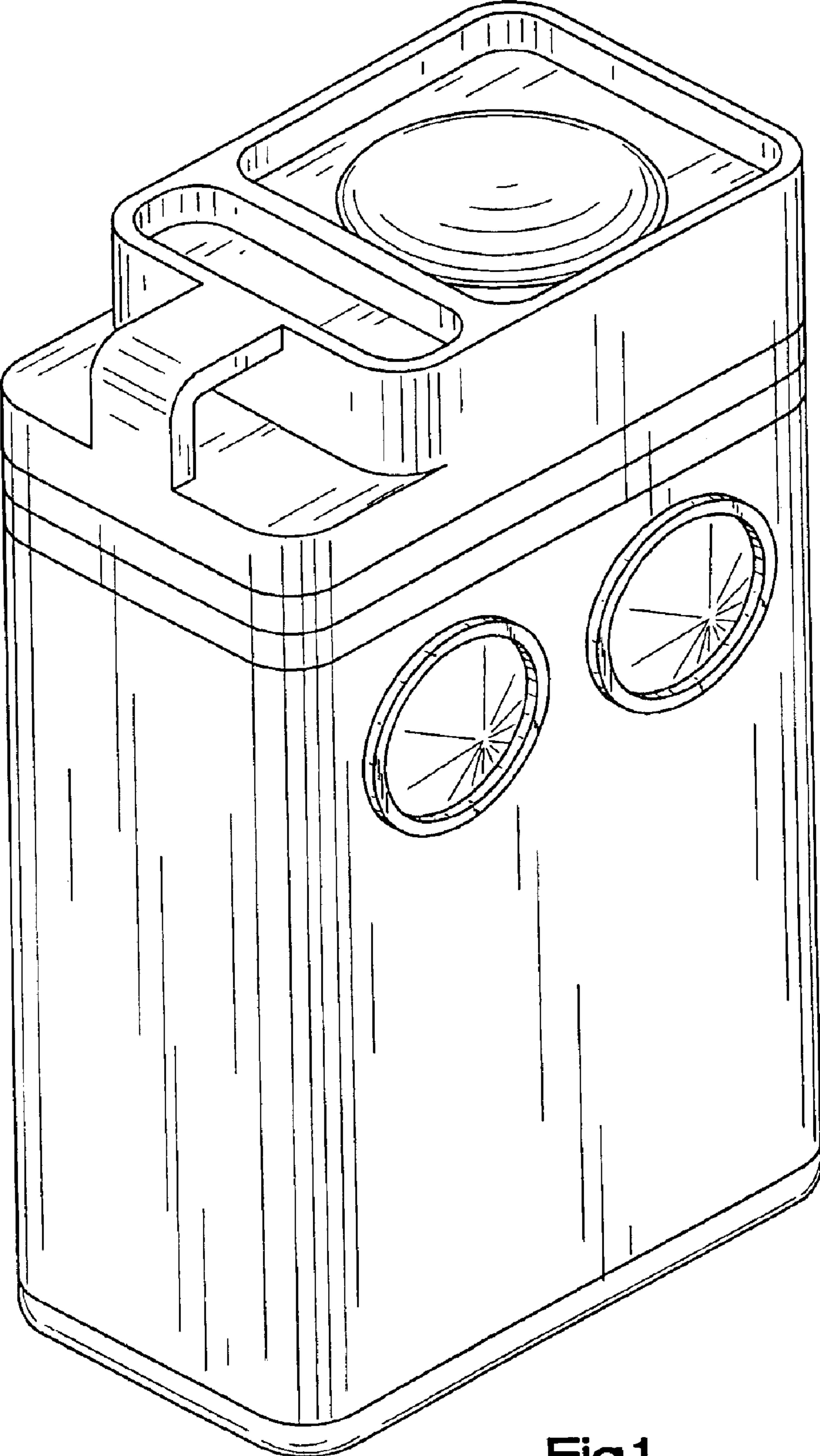


Fig.1

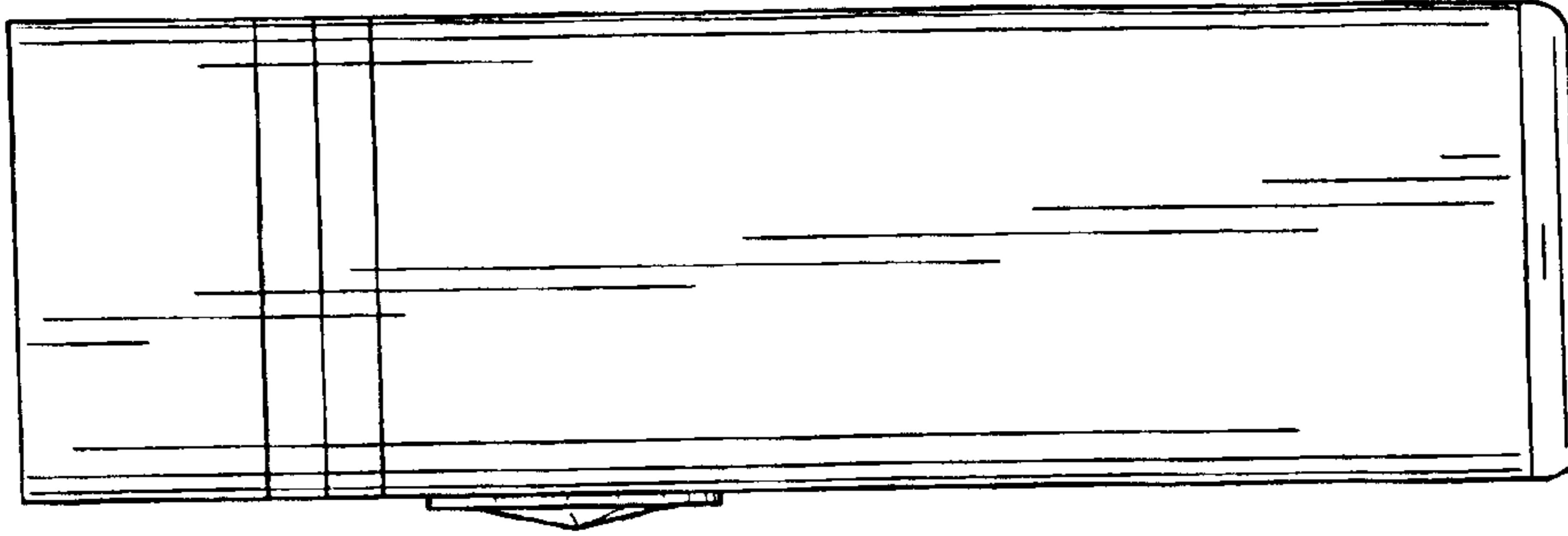


Fig.4

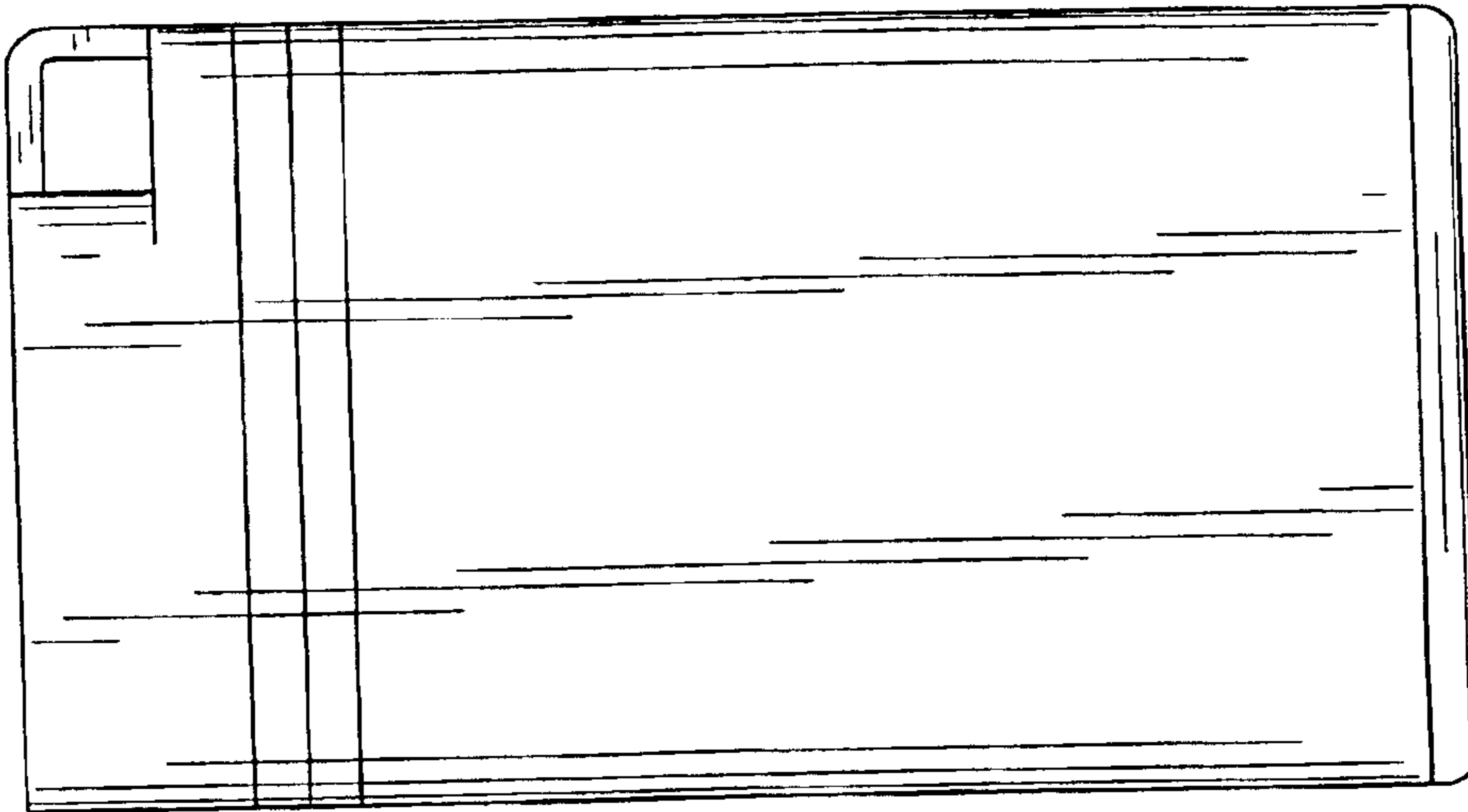


Fig.3

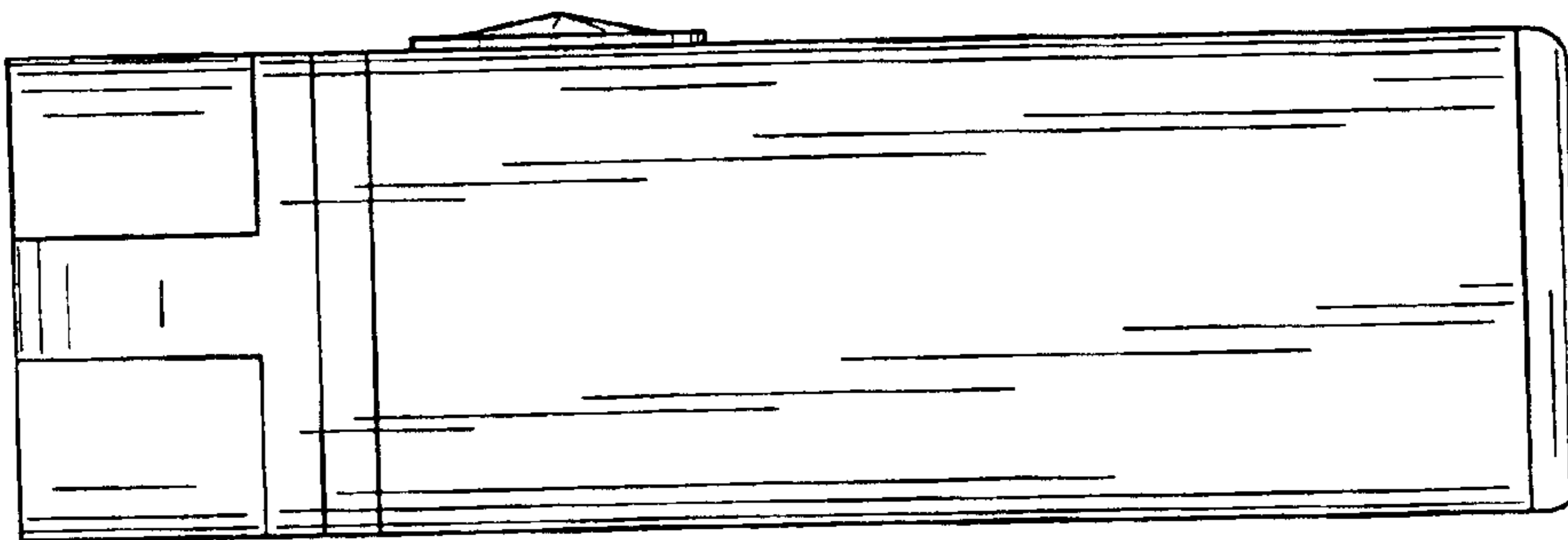


Fig.2

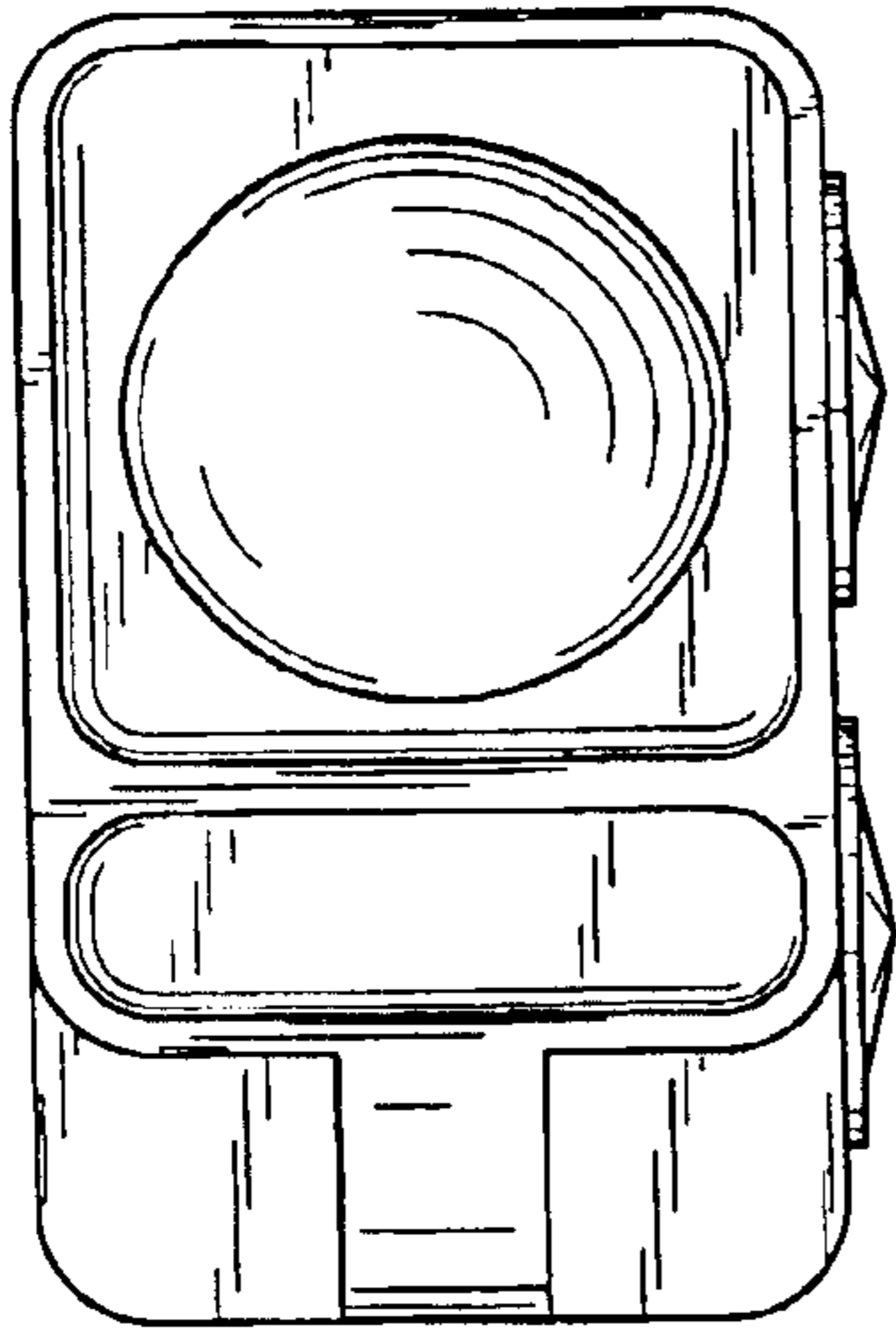


Fig.6

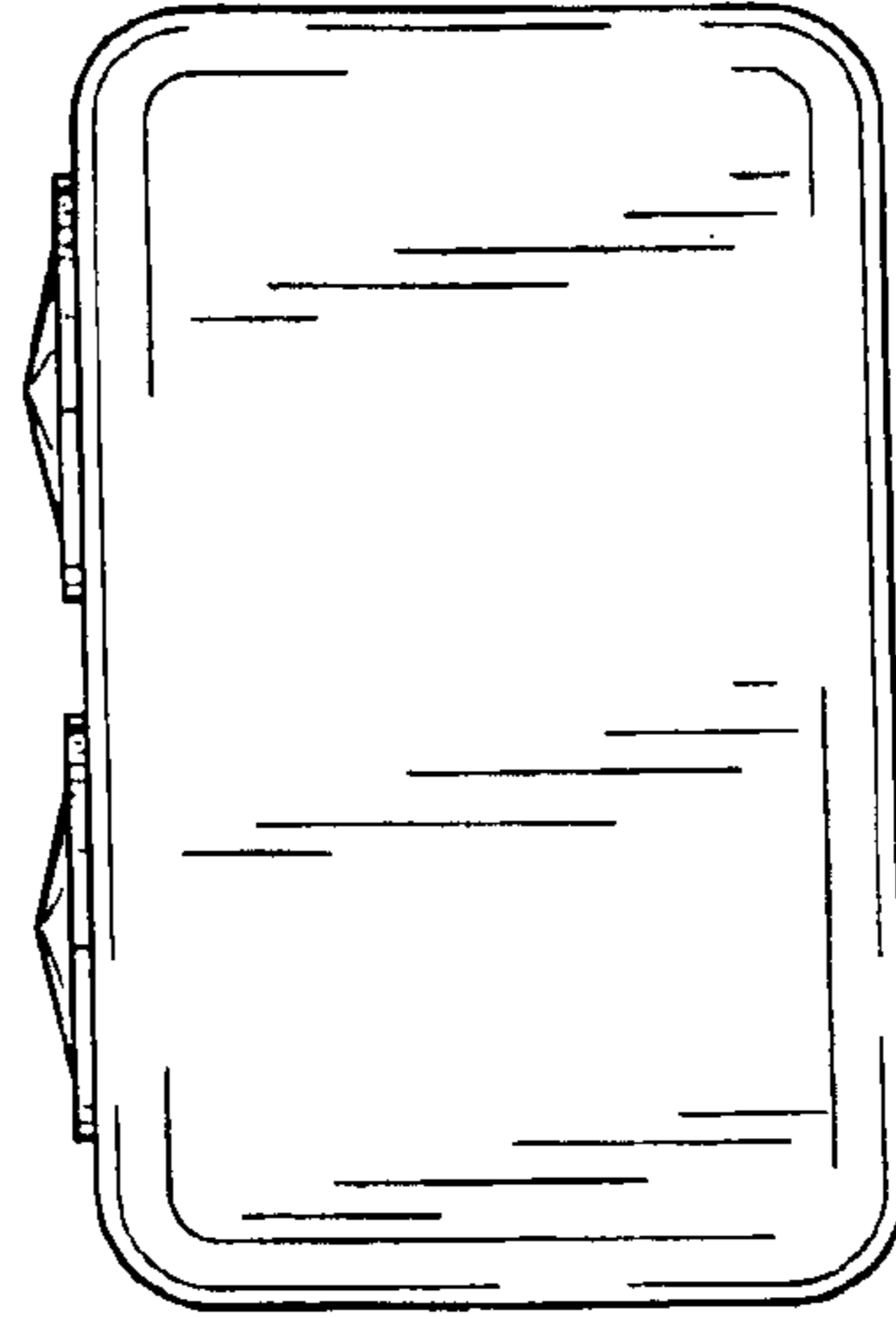


Fig.7

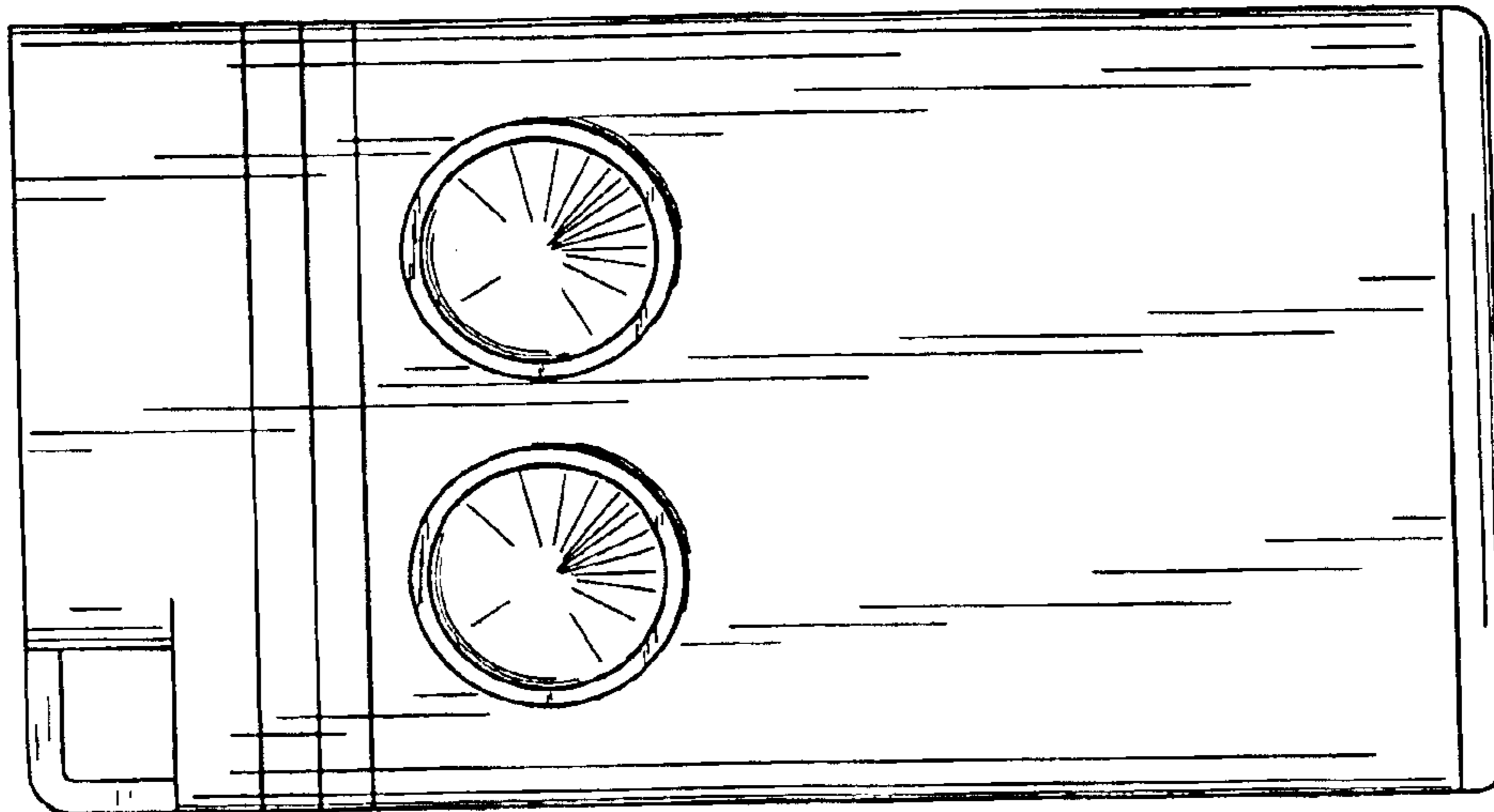


Fig.5