

US00D504726S

(12) **United States Design Patent**  
**Ryan**

(10) **Patent No.:** **US D504,726 S**  
(45) **Date of Patent:** **\*\* May 3, 2005**

(54) **MODULE FOR USE WITH  
ELECTROTHERAPY AND/OR ULTRASOUND  
THERAPY PRODUCT**

D481,123 S \* 10/2003 Hayamizu ..... D24/138

\* cited by examiner

(75) Inventor: **Bradley Peter Ryan, Sydney (AU)**

*Primary Examiner*—Louis S. Zarfaz  
*Assistant Examiner*—John Windmuller

(73) Assignee: **Encore Medical Asset Corporation,  
Henderson, NV (US)**

(74) *Attorney, Agent, or Firm*—Chambliss, Bahner &  
Stophel, P.C.

(\*\*) Term: **14 Years**

(57) **CLAIM**

(21) Appl. No.: **29/211,377**

The ornamental design for a module for use with electro-  
therapy and/or ultrasound therapy product, as shown and  
described.

(22) Filed: **Aug. 16, 2004**

**Related U.S. Application Data**

**DESCRIPTION**

(62) Division of application No. 29/192,468, filed on Oct. 27,  
2003.

FIG. 1 is a perspective view of the module of my new  
design.

(51) **LOC (7) Cl.** ..... **24-01**

FIG. 2 is a front view of the module of my new design.

(52) **U.S. Cl.** ..... **D24/200**

FIG. 3 is a right side view of the module of my new design.  
The left side view is a mirror image of FIG. 3.

(58) **Field of Search** ..... D24/200, 170,  
D24/144, 133, 185, 186; 606/32

FIG. 4 is a rear view of the module of my new design.

(56) **References Cited**

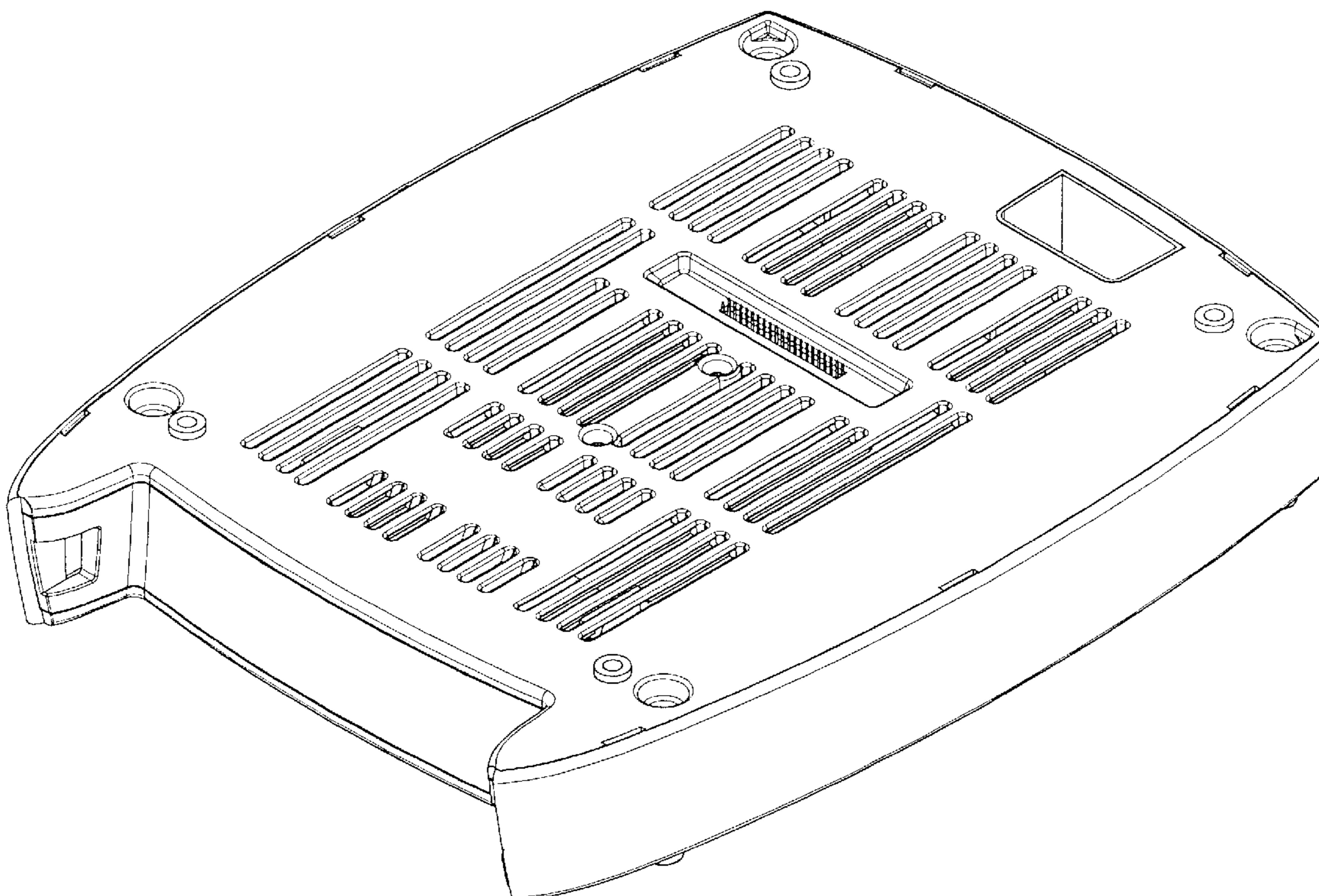
FIG. 5 is a top view of the module of my new design; and,

FIG. 6 is a bottom view of the module of my new design.

**U.S. PATENT DOCUMENTS**

D405,174 S \* 2/1999 Rogler ..... D24/107

**1 Claim, 6 Drawing Sheets**



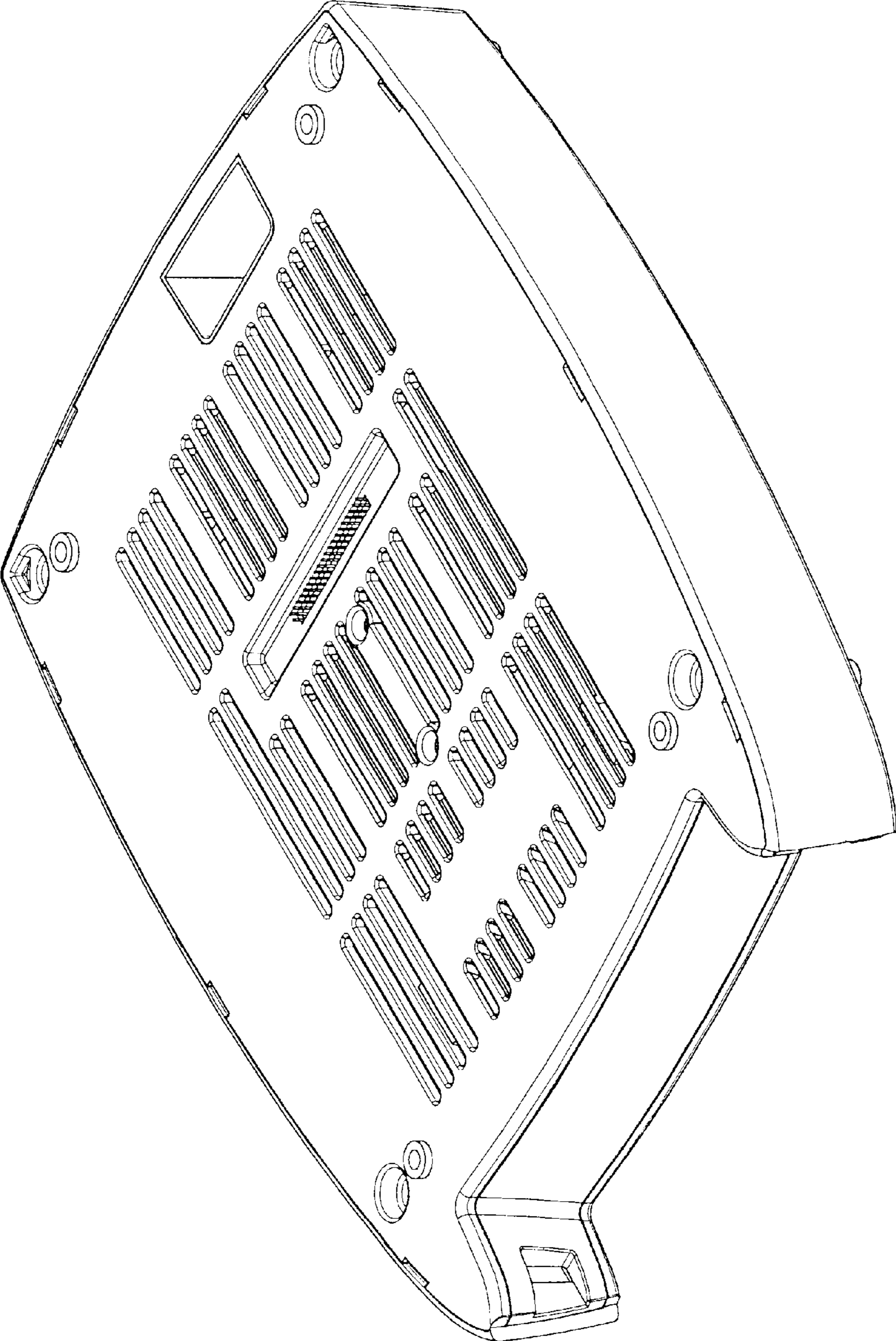


FIGURE 1

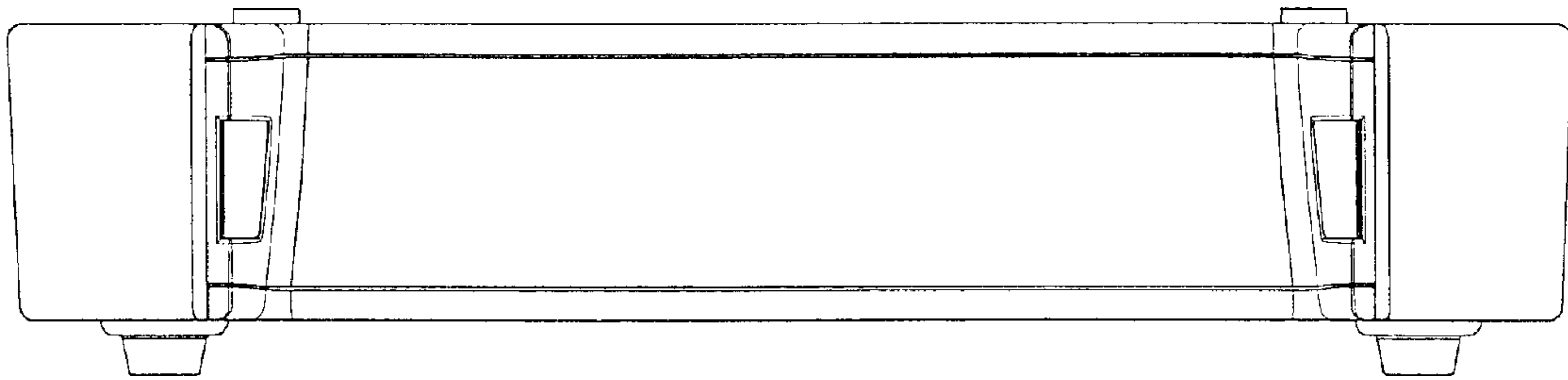


FIGURE 2

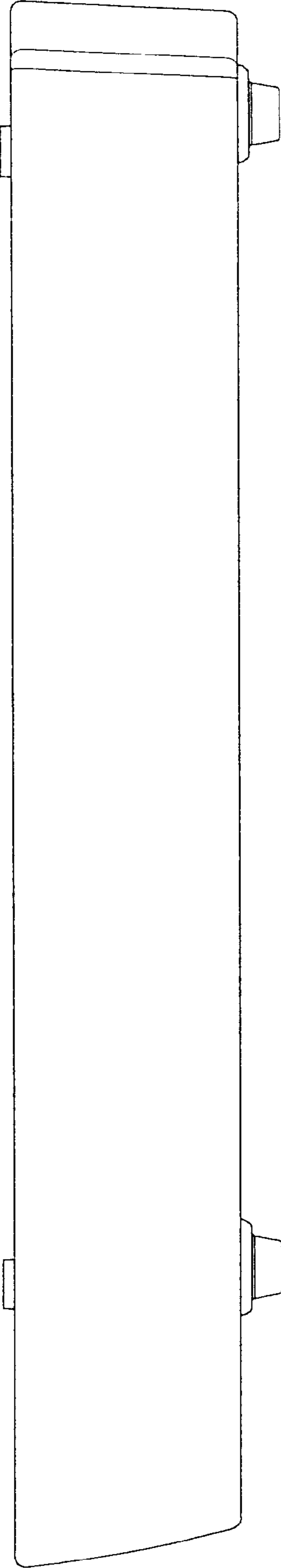


FIGURE 3

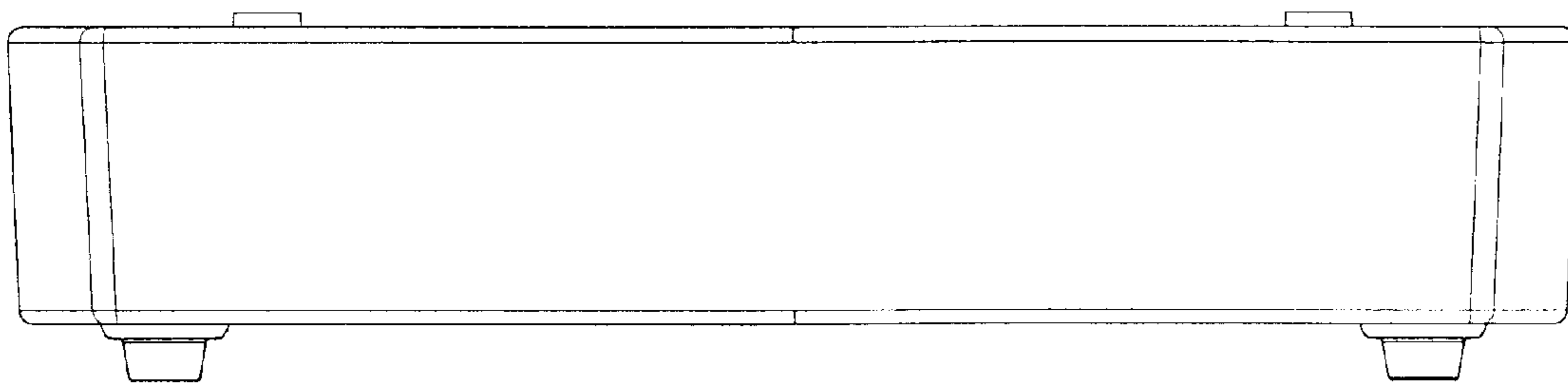


FIGURE 4

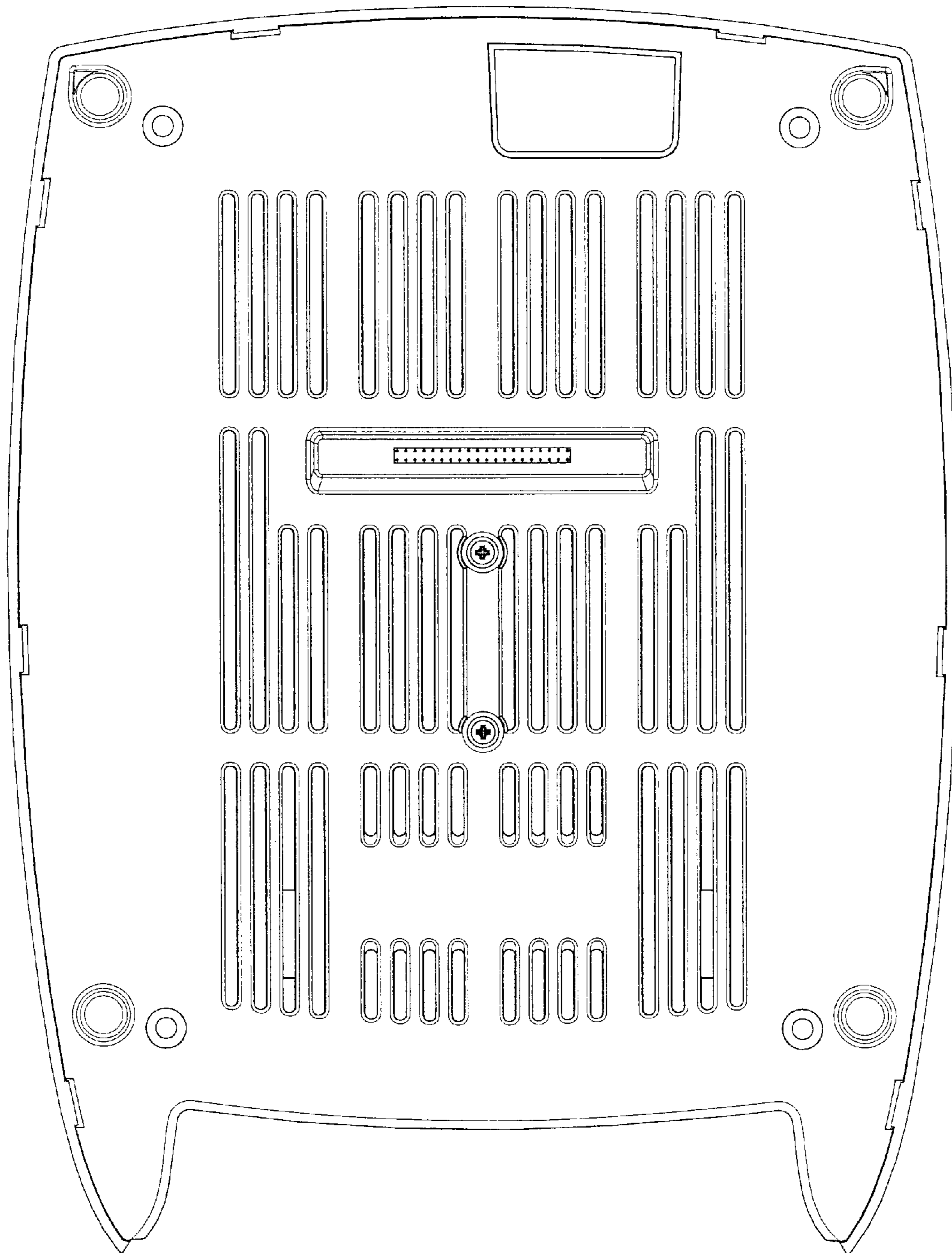


FIGURE 5

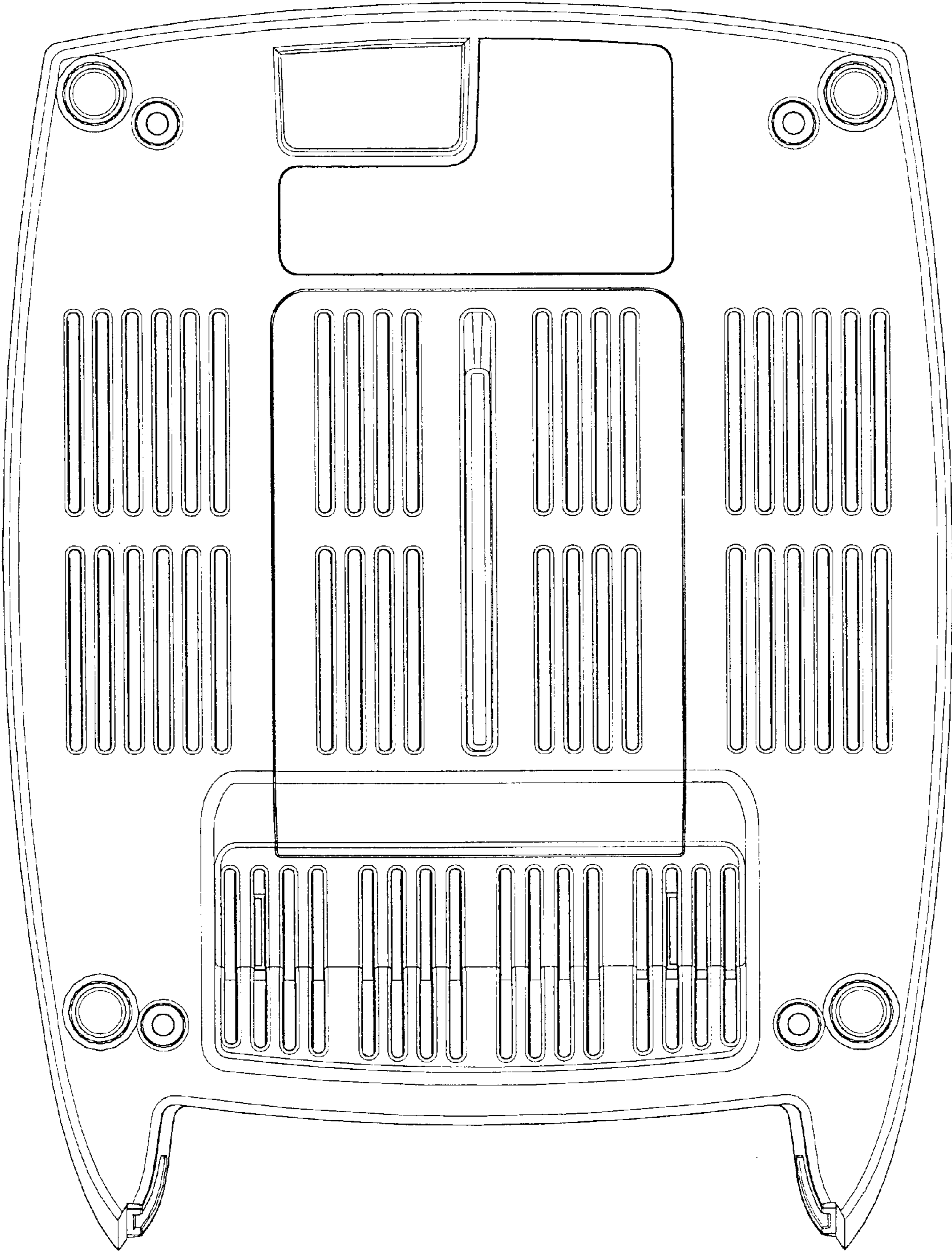


FIGURE 6