



US00D504717S

(12) **United States Design Patent** (10) **Patent No.:** **US D504,717 S**
Piatt (45) **Date of Patent:** **** May 3, 2005**

(54) **LAVATORY**

(74) *Attorney, Agent, or Firm*—Quarles & Brady LLP

(75) Inventor: **James M. Piatt**, Sheboygan Falls, WI (US)

(57) **CLAIM**

The ornamental design for a lavatory, as shown and described.

(73) Assignee: **Kohler Co.**, Kohler, WI (US)

(**) Term: **14 Years**

DESCRIPTION

(21) Appl. No.: **29/211,855**

In a preferred embodiment, the nature of this product is as a plumbing fixture in the form of a lavatory which is primarily useful for washing the body parts of humans.

(22) Filed: **Aug. 23, 2004**

FIG. 1 is a left, top, front perspective view of a lavatory embodying my new design;

Related U.S. Application Data

FIG. 2 is a top plan view thereof;

(60) Division of application No. 29/189,654, filed on Sep. 9, 2003, now Pat. No. Des. 497,980, which is a division of application No. 29/158,619, filed on Apr. 4, 2002, now Pat. No. Des. 479,586, which is a continuation-in-part of application No. 29/153,935, filed on Oct. 26, 2001, now Pat. No. Des. 486,208.

FIG. 3 is a front elevational view thereof;

(51) **LOC (7) Cl.** **23-02**

FIG. 4 is a left side elevational view thereof, the right side elevational view thereof being a mirror image of the left side shown;

(52) **U.S. Cl.** **D23/293.1**

FIG. 5 is a left, top, front perspective view of a lavatory according to another embodiment of my new design;

(58) **Field of Search** D23/270–274,
D23/283–284, 286–287, 291–292, 293.1,
304, 308; 4/553, 619, 557–558, 596–604,
612–614, 622, 629–630, 638, 660, 650–652,
632

FIG. 6 is a top plan view thereof;

(56) **References Cited**

FIG. 7 is a front elevational view thereof;

U.S. PATENT DOCUMENTS

D35,008 S	8/1901	Clow	D23/293.01
998,742 A	7/1911	Berkley	4/652 X
2,389,724 A	11/1945	Falco	4/612 X
2,532,769 A	12/1950	Houpt	4/632

FIG. 8 is a left side elevational view thereof, the right side elevational view thereof being a mirror image of the left side shown;

(Continued)

FIG. 9 is a left, top, front perspective view of a lavatory according to another embodiment of my new design;

OTHER PUBLICATIONS

2000 Kohler catalog ad, p. 11.23, showing “Memoirs” shower receptors.
Jul. 2001 Kohler catalog ad, p. 8.3b, showing a “SOK” bath.

FIG. 10 is a top plan view thereof;

FIG. 11 is a front elevational view thereof;

FIG. 12 is a left side elevational view thereof, the right side elevational view thereof being a mirror image of the left side shown;

FIG. 13 is a left, top, front perspective view of a lavatory according to another embodiment of my new design;

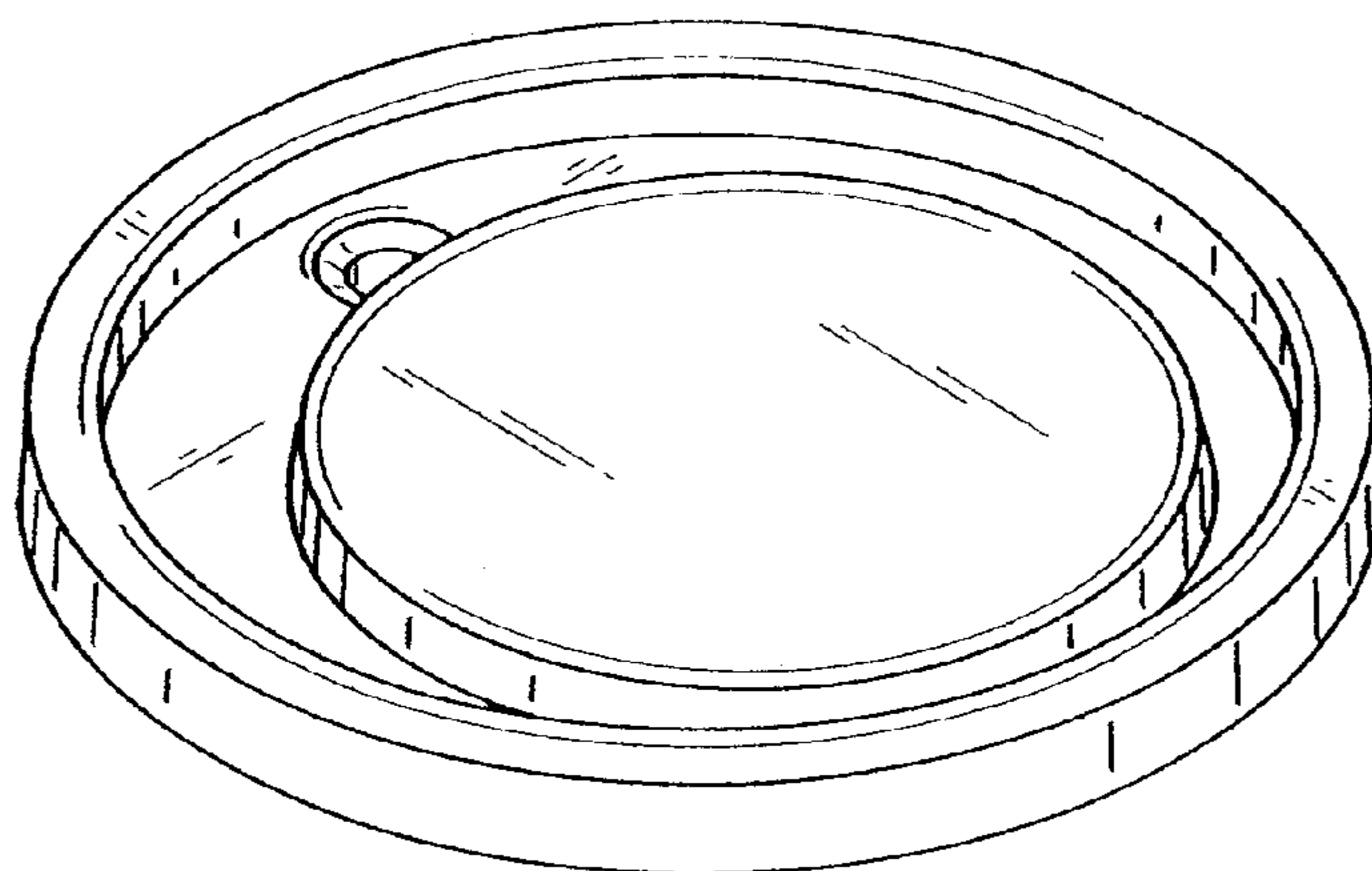
FIG. 14 is a top plan view thereof;

FIG. 15 is a front elevational view thereof; and,

FIG. 16 is a left side elevational view thereof, the right side elevational view thereof being a mirror image of the left side shown.

Primary Examiner—Robert A. Delehanty

1 Claim, 4 Drawing Sheets



US D504,717 S

Page 2

U.S. PATENT DOCUMENTS

2,902,700 A	9/1959	Chambers	4/629	4,689,841 A	9/1987	Owen	4/644
2,914,777 A	12/1959	Parson	4/628	D298,452 S	11/1988	Carter	D23/293.1
3,038,172 A	6/1962	Fritz et al.	4/638 X	D332,829 S	1/1993	Belfor	D23/292
3,376,583 A	4/1968	Frey	4/638	D356,148 S	3/1995	Kohler, Jr. et al.	D23/293.1
D218,606 S	9/1970	Lein	D23/284	5,560,052 A	10/1996	Ferguson et al.	4/650
D244,030 S	4/1977	Tongish	D23/284	5,628,484 A	5/1997	Lechuga	4/594
4,086,669 A	5/1978	Combis	4/622	D423,653 S	4/2000	Svendsen	D23/293.1
				D463,538 S	9/2002	Chipperfield	D23/284

FIG. 1

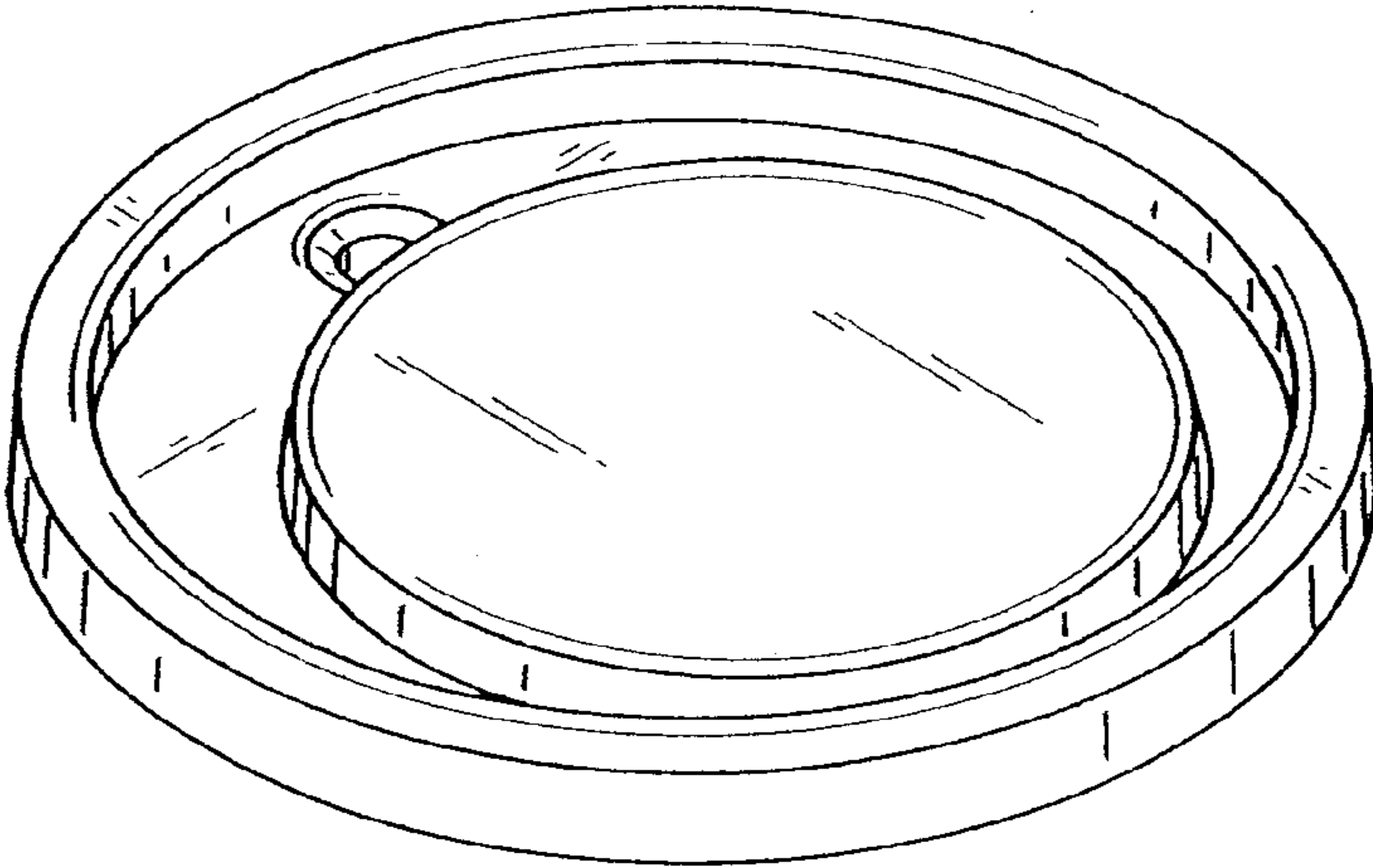


FIG. 2

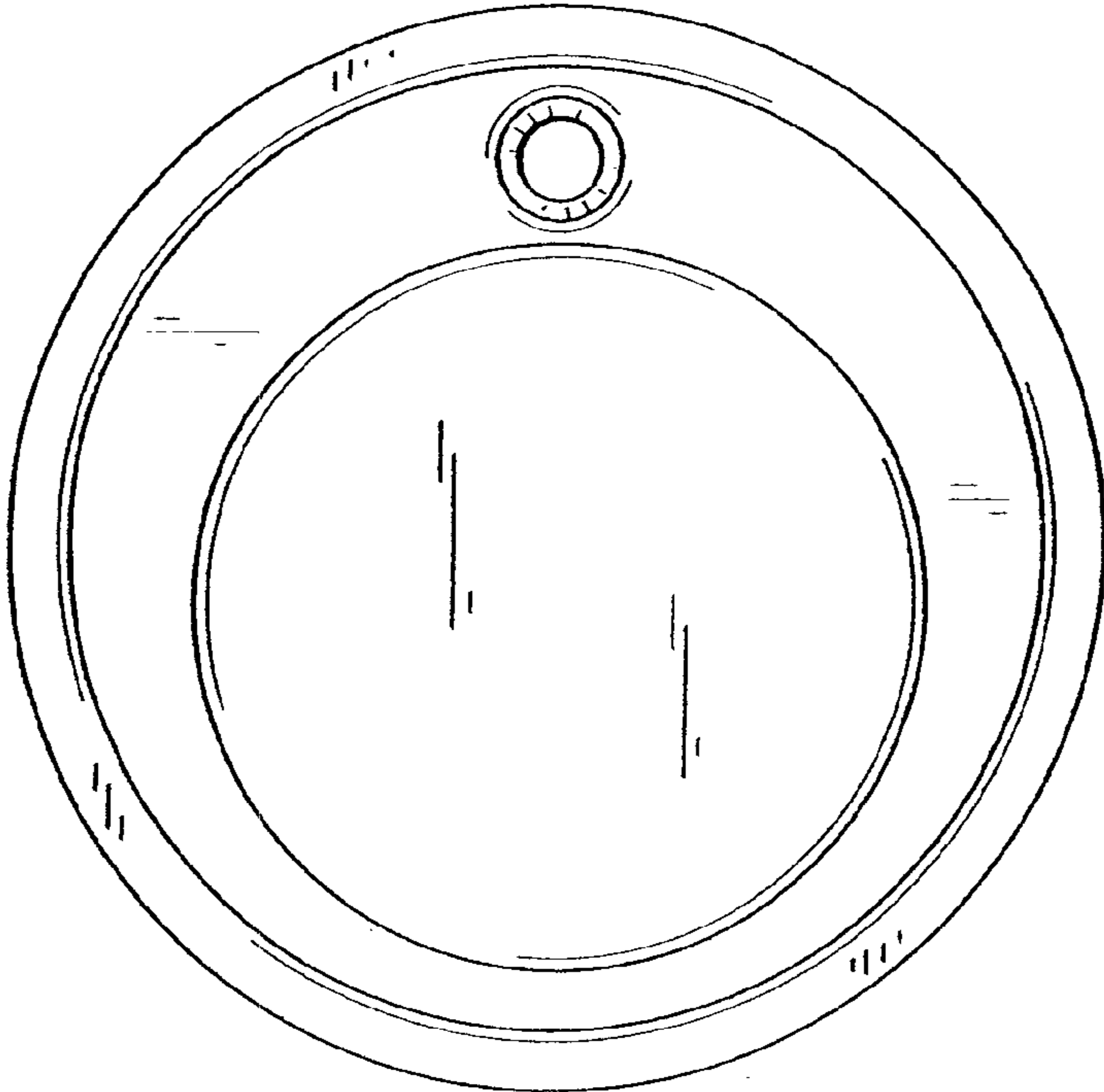


FIG. 3



FIG. 4

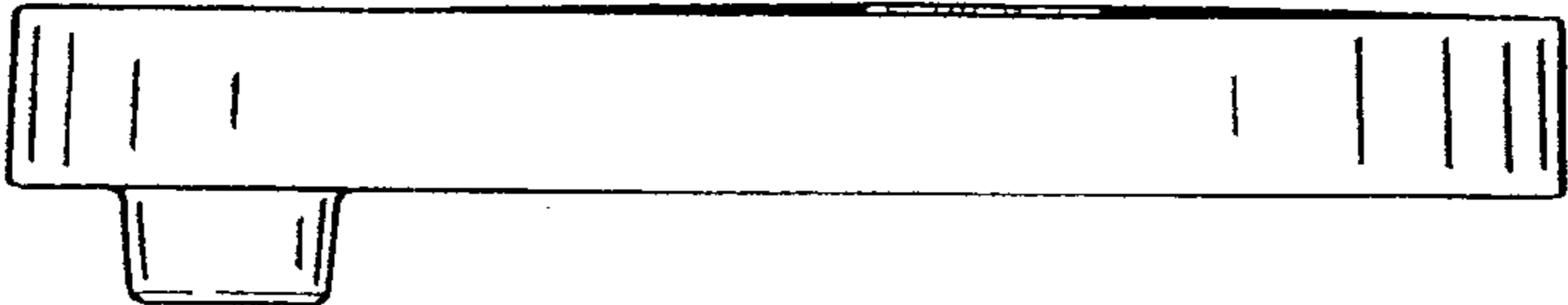


FIG. 5

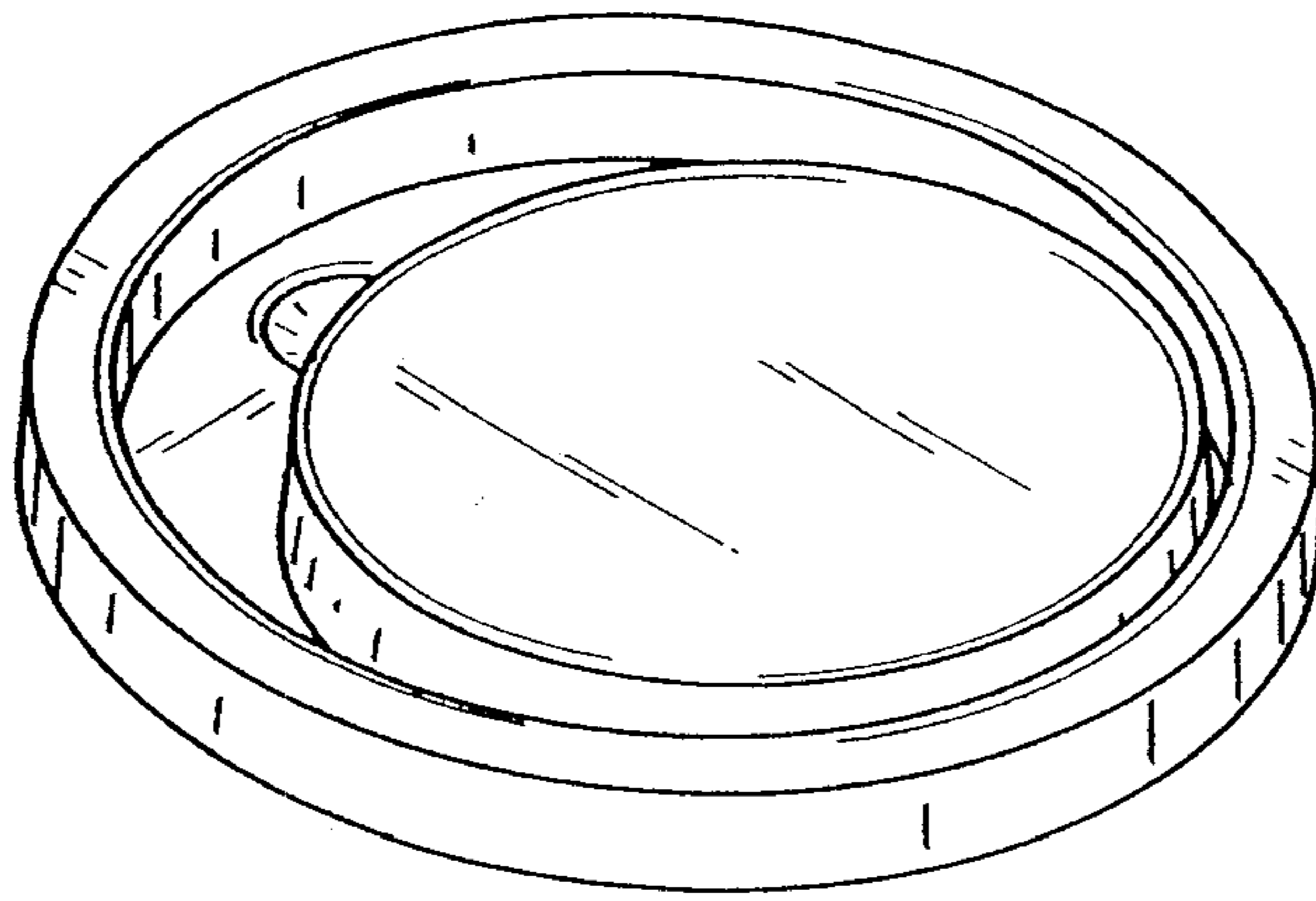


FIG. 6

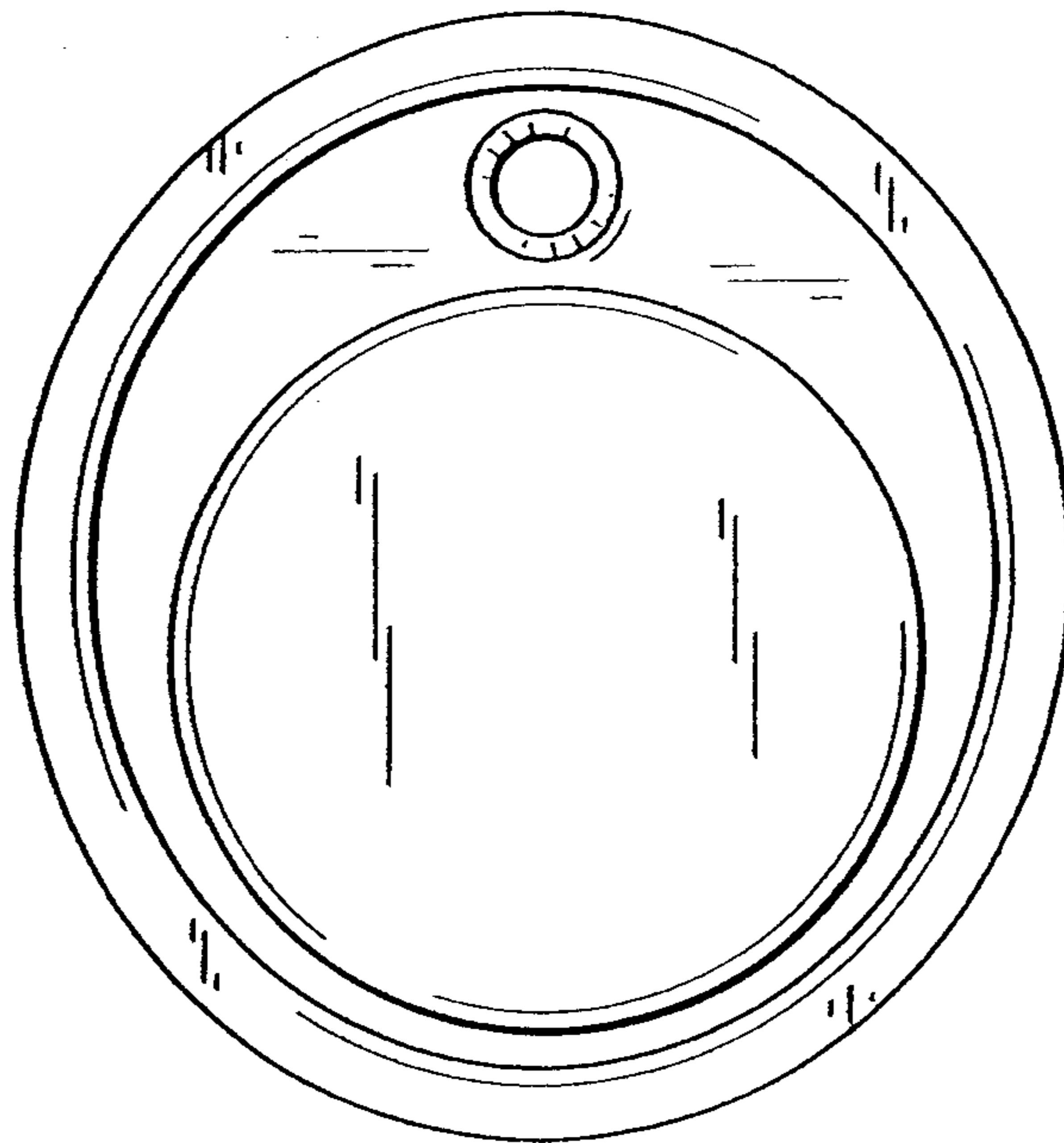


FIG. 7

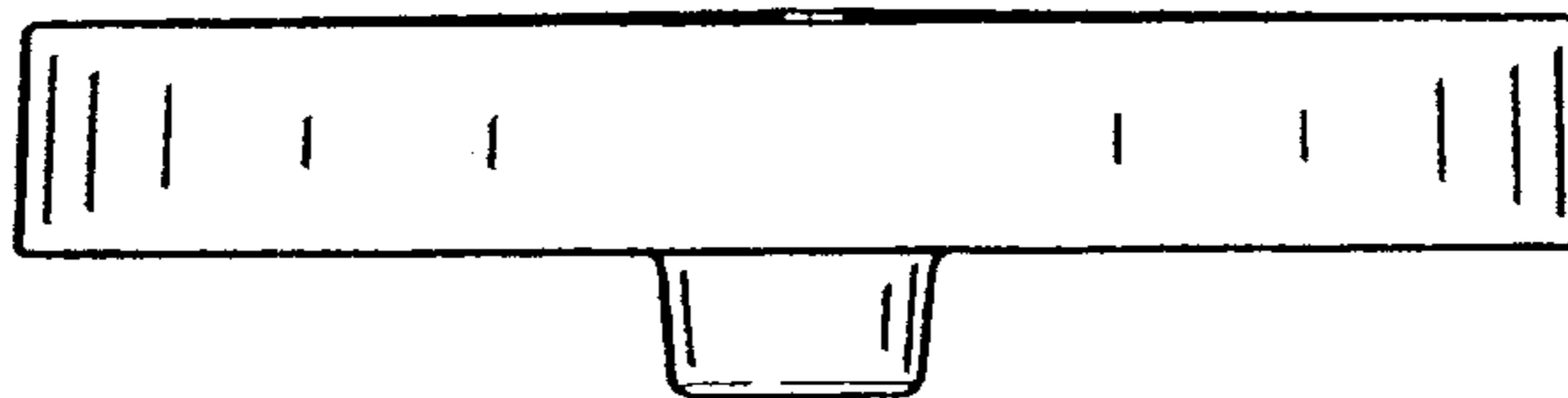


FIG. 8

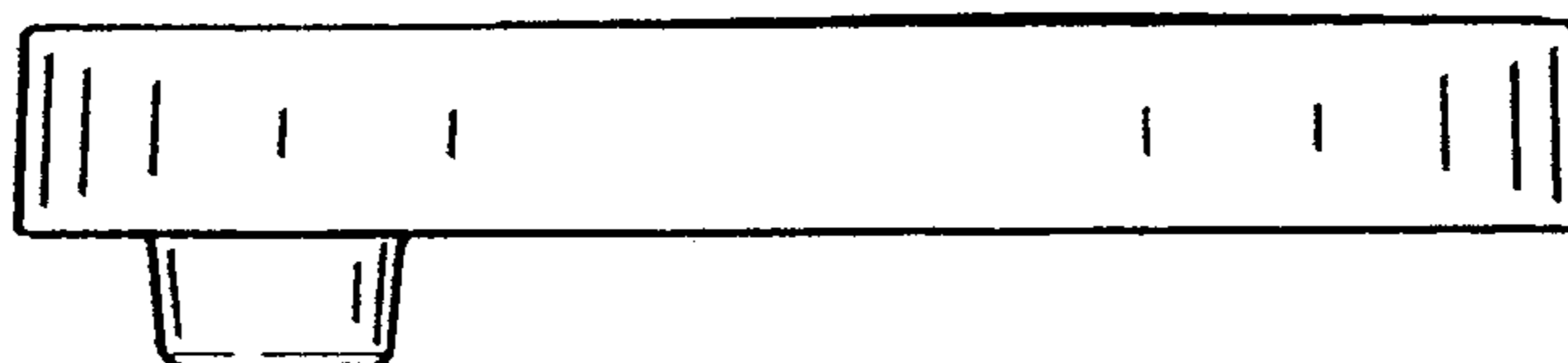


FIG. 9

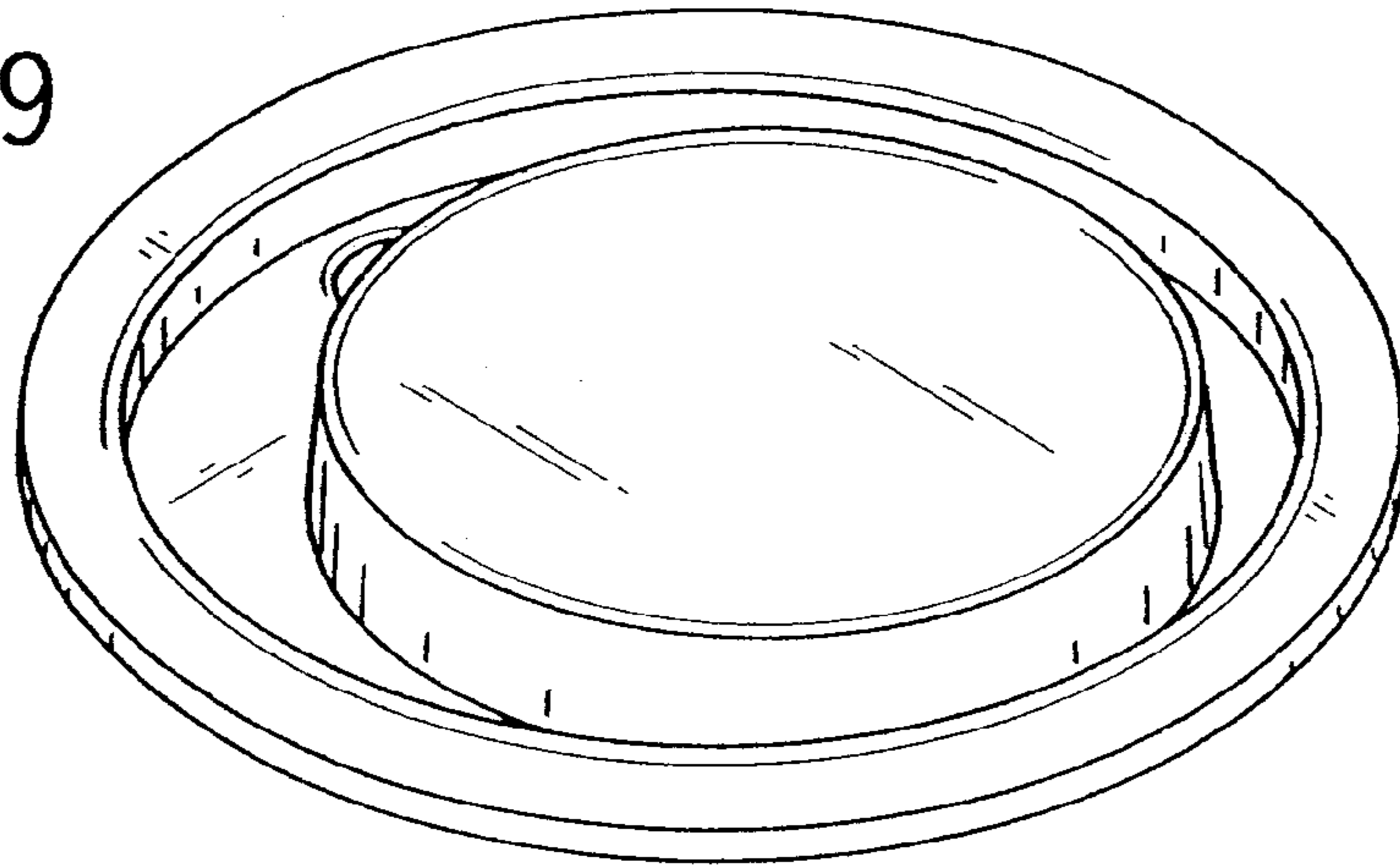


FIG. 10

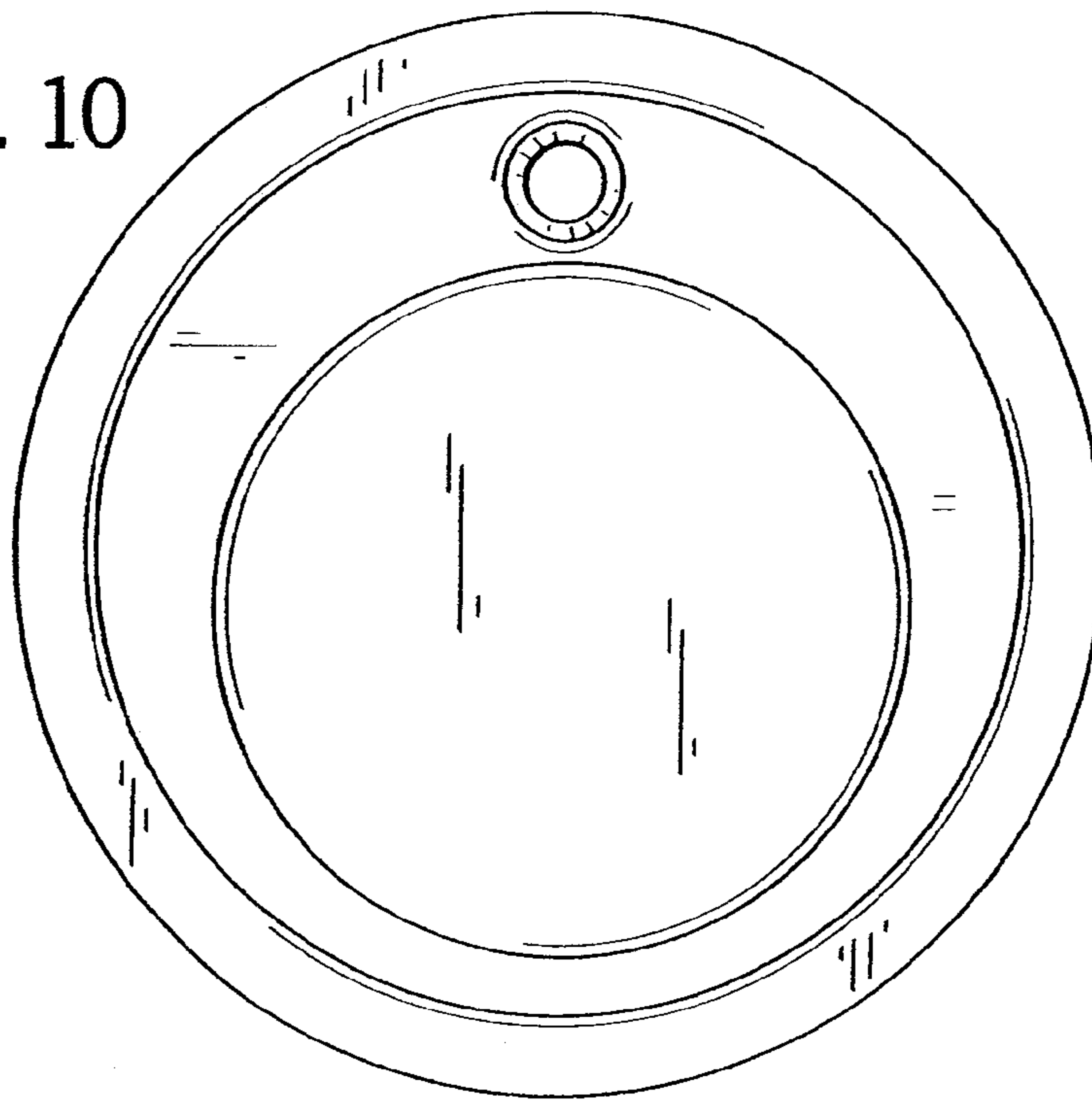


FIG. 11

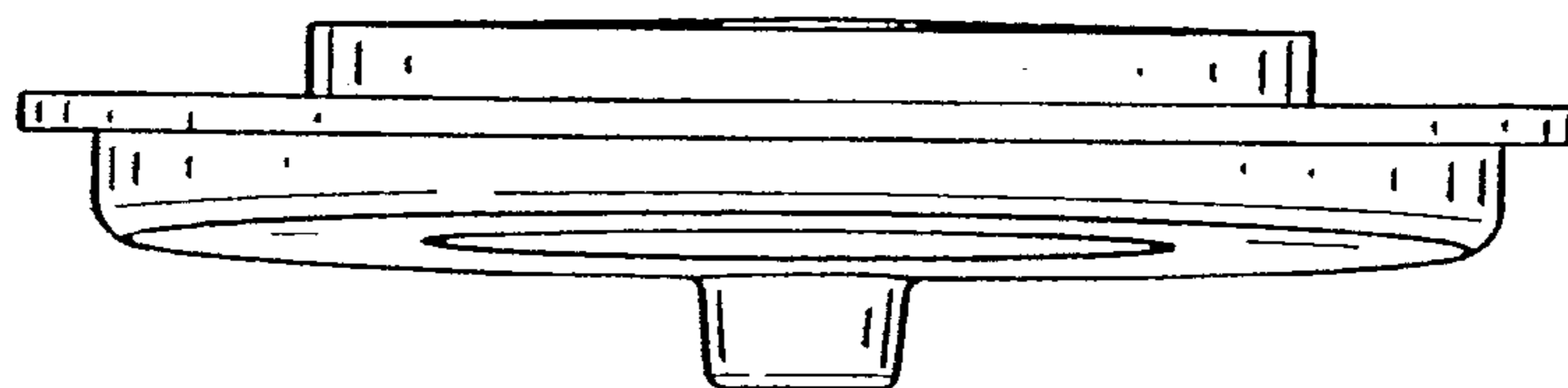


FIG. 12

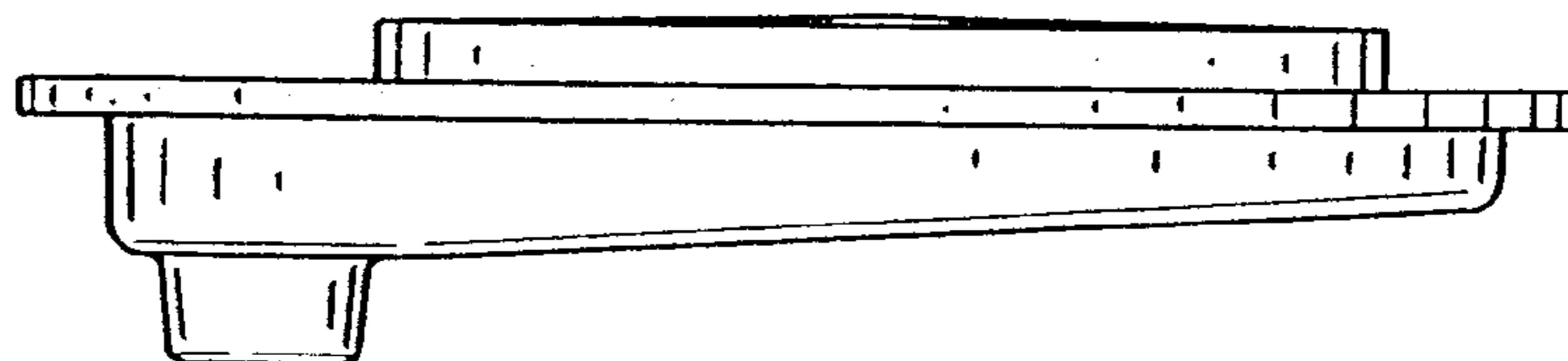


FIG. 13

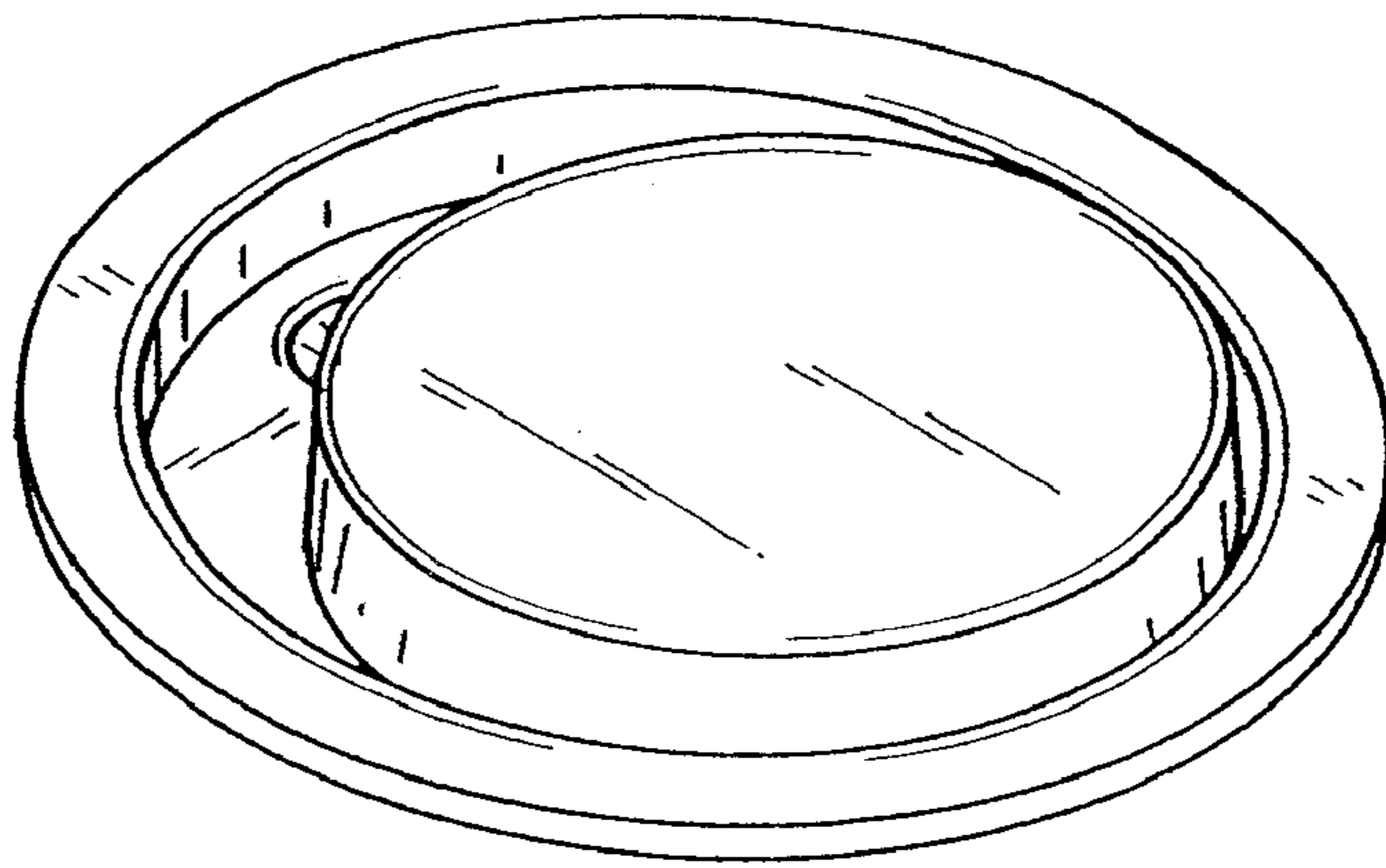


FIG. 14

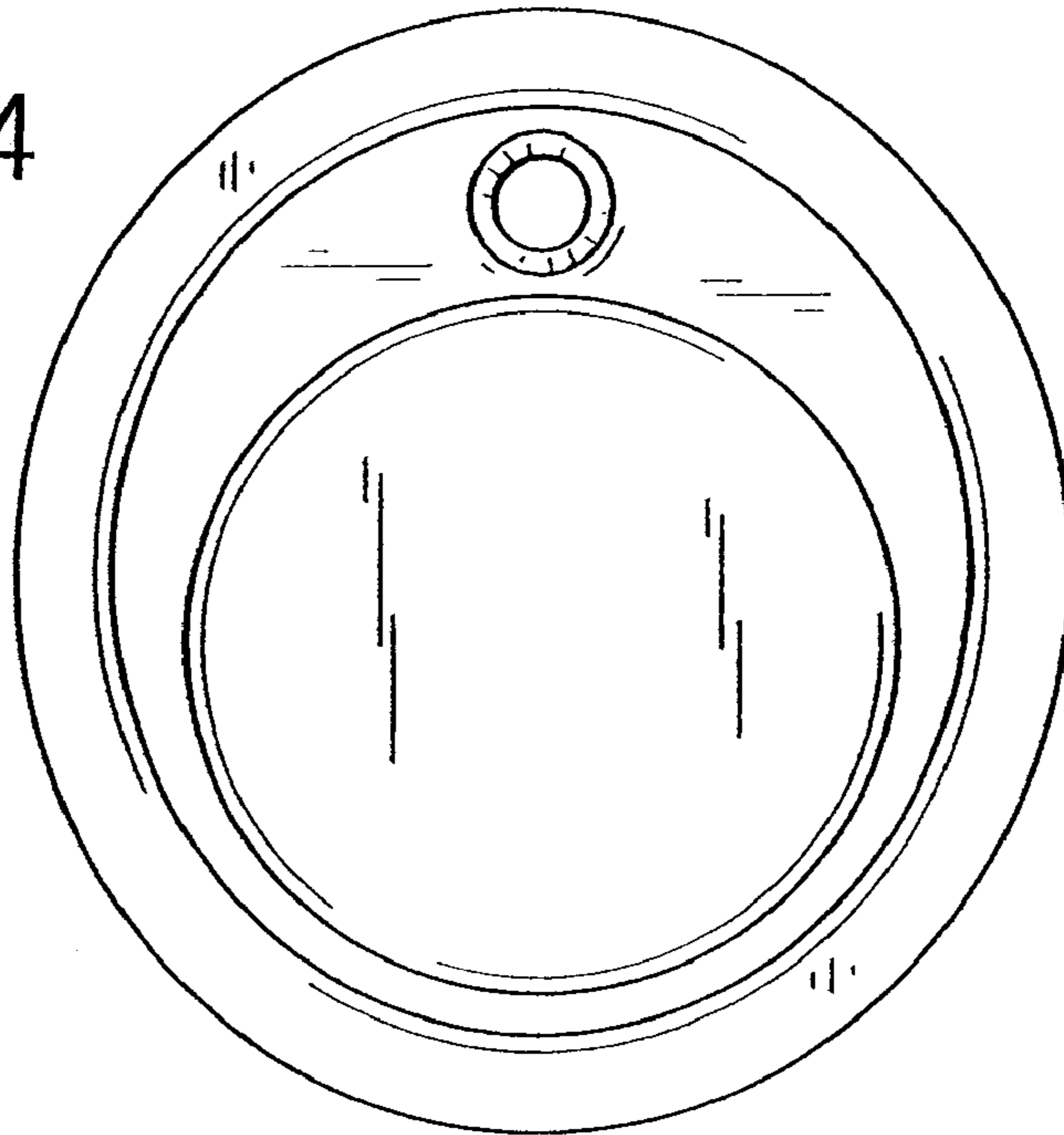


FIG. 15

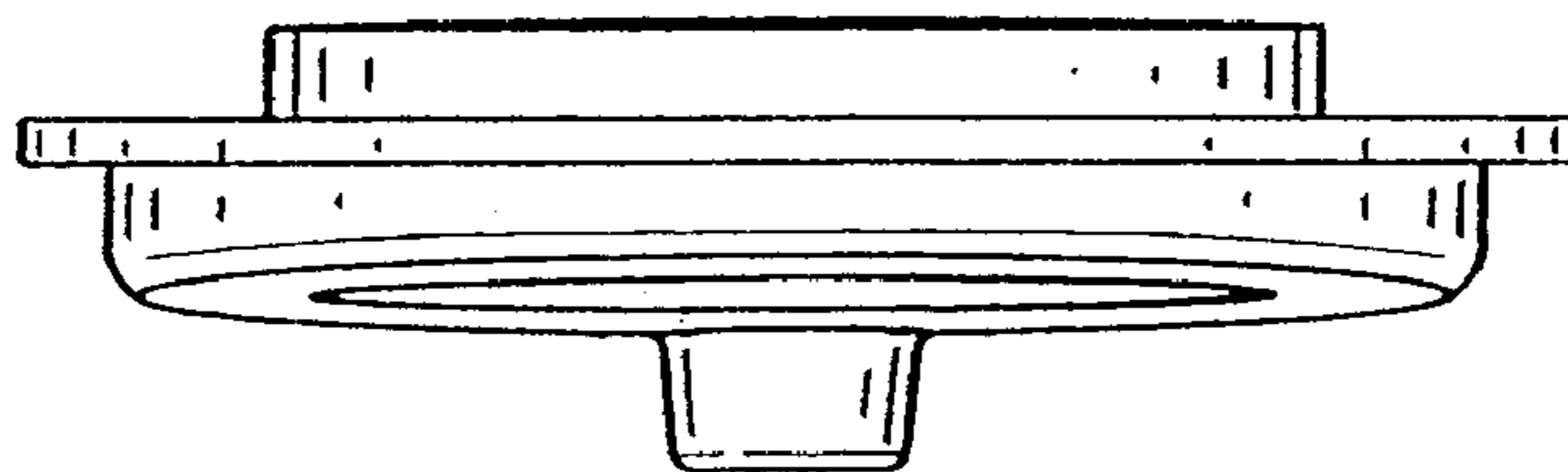


FIG. 16

