



US00D504716S

(12) **United States Design Patent** (10) **Patent No.:** **US D504,716 S**
Bayer et al. (45) **Date of Patent:** **** May 3, 2005**

(54) **SINK**

(74) *Attorney, Agent, or Firm*—Quarles & Brady LLP

(75) Inventors: **Michelle E. Bayer**, Plymouth, WI (US); **Christopher M. De Cleene**, Sheboygan, WI (US)

(57) **CLAIM**

The ornamental design for a sink, as shown and described.

(73) Assignee: **Kohler Co.**, Kohler, WI (US)

DESCRIPTION

(**) Term: **14 Years**

In a preferred embodiment, the nature of this product is as a plumbing fixture primarily useful for washing various objects.

(21) Appl. No.: **29/215,653**

(22) Filed: **Oct. 21, 2004**

FIG. 1 is a left, top, front perspective view of a third embodiment;

Related U.S. Application Data

FIG. 2 is a top plan view thereof;

(62) Division of application No. 29/174,553, filed on Jan. 20, 2003, now Pat. No. Des. 500,357.

FIG. 3 is a front elevational view thereof;

(51) **LOC (7) Cl.** **23-02**

(52) **U.S. Cl.** **D23/290**

(58) **Field of Search** D23/271, 273, D23/284–286, 293.1, 303, 308; 4/630–642, 661, 663–665, 619, 645–646, 650–652; D2/289–292

FIG. 4 is a rear elevational view thereof;

FIG. 5 is a left side elevational view thereof;

FIG. 6 is a right side elevational view thereof;

FIG. 7 is a bottom plan view thereof; and,

FIG. 8 is a right, top, front perspective view of a second embodiment, the top plan view thereof being a mirror image of that shown in FIG. 2, the front elevational view thereof being a mirror image of that shown in FIG. 3, the rear elevational view thereof being a mirror image of that shown in FIG. 4, the right side elevational view thereof being a mirror image of that shown in FIG. 5, the left side elevational view thereof being a mirror image of that shown in FIG. 6, and the bottom plan view thereof being a mirror image of that shown in FIG. 7.

(56) **References Cited**

U.S. PATENT DOCUMENTS

- D325,246 S 4/1992 Suet et al.
- D355,023 S 1/1995 Kolada
- D464,127 S 10/2002 Paredes et al.

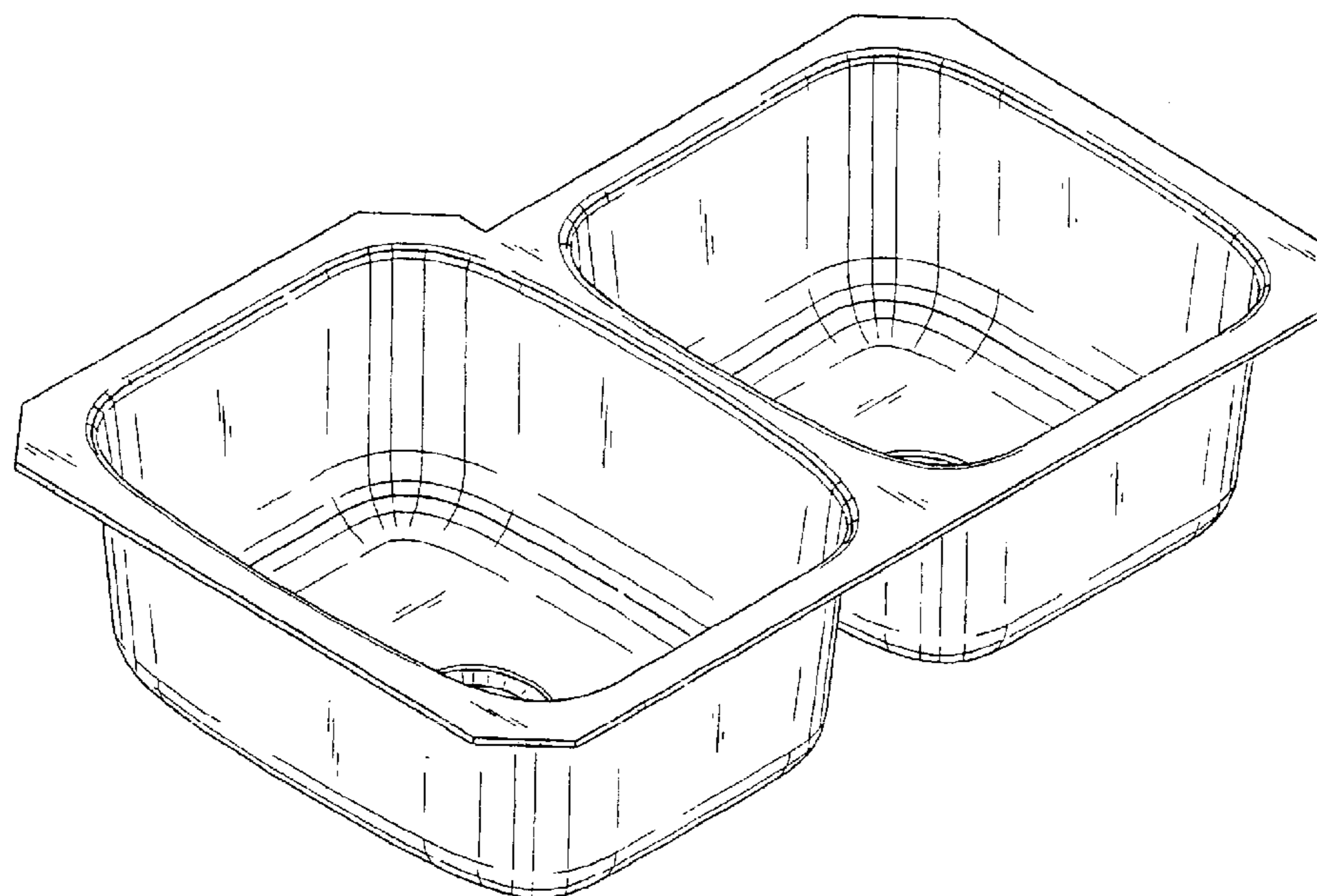
OTHER PUBLICATIONS

2000 Kohler catalog ad, p. 16.45, showing “Ravinia” and “Ballad” sinks.

1987 Blanco catalog ad showing “Blancotec Silacron” sinks.

Primary Examiner—Robert A. Delehanty

1 Claim, 5 Drawing Sheets



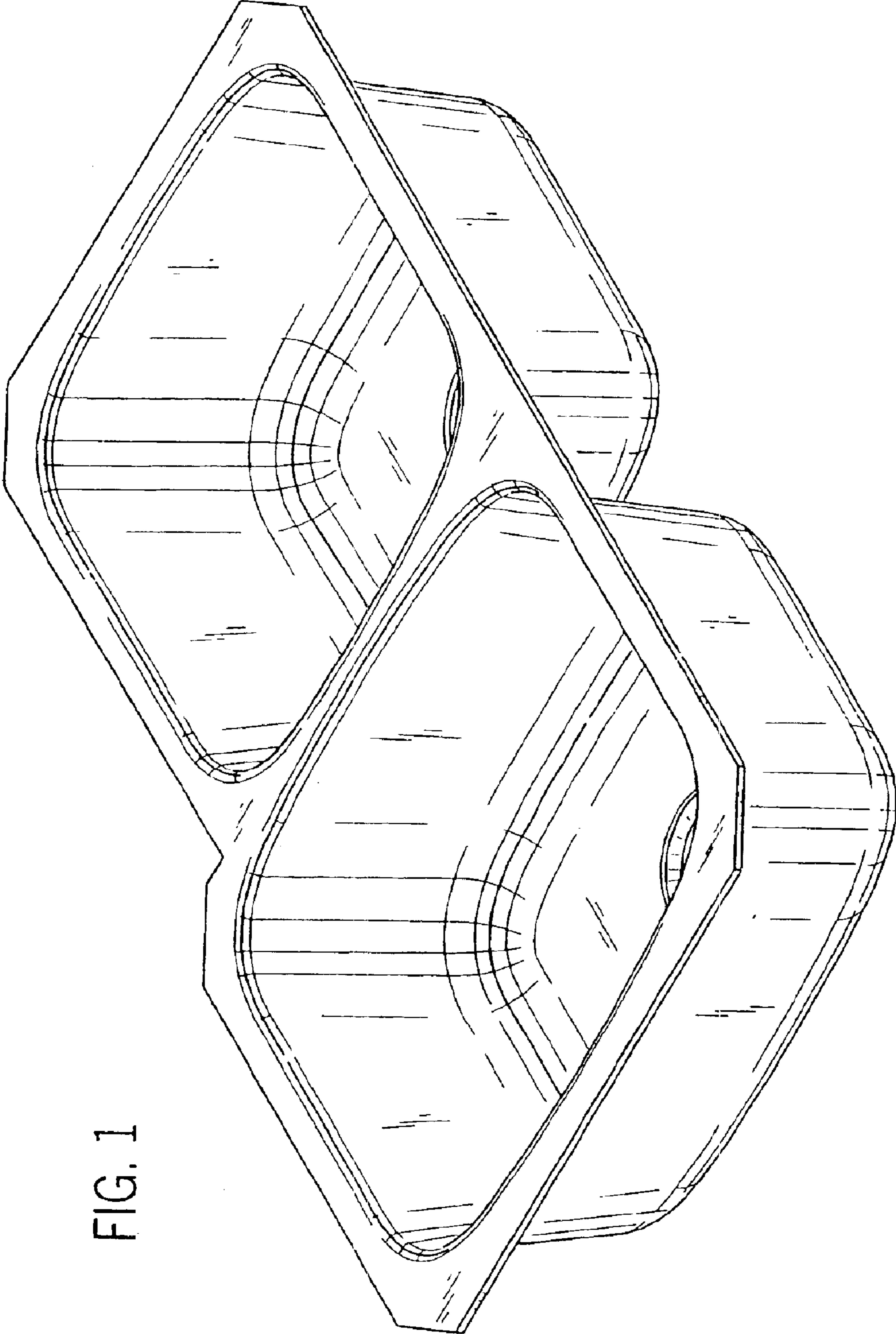


FIG. 1

FIG. 2

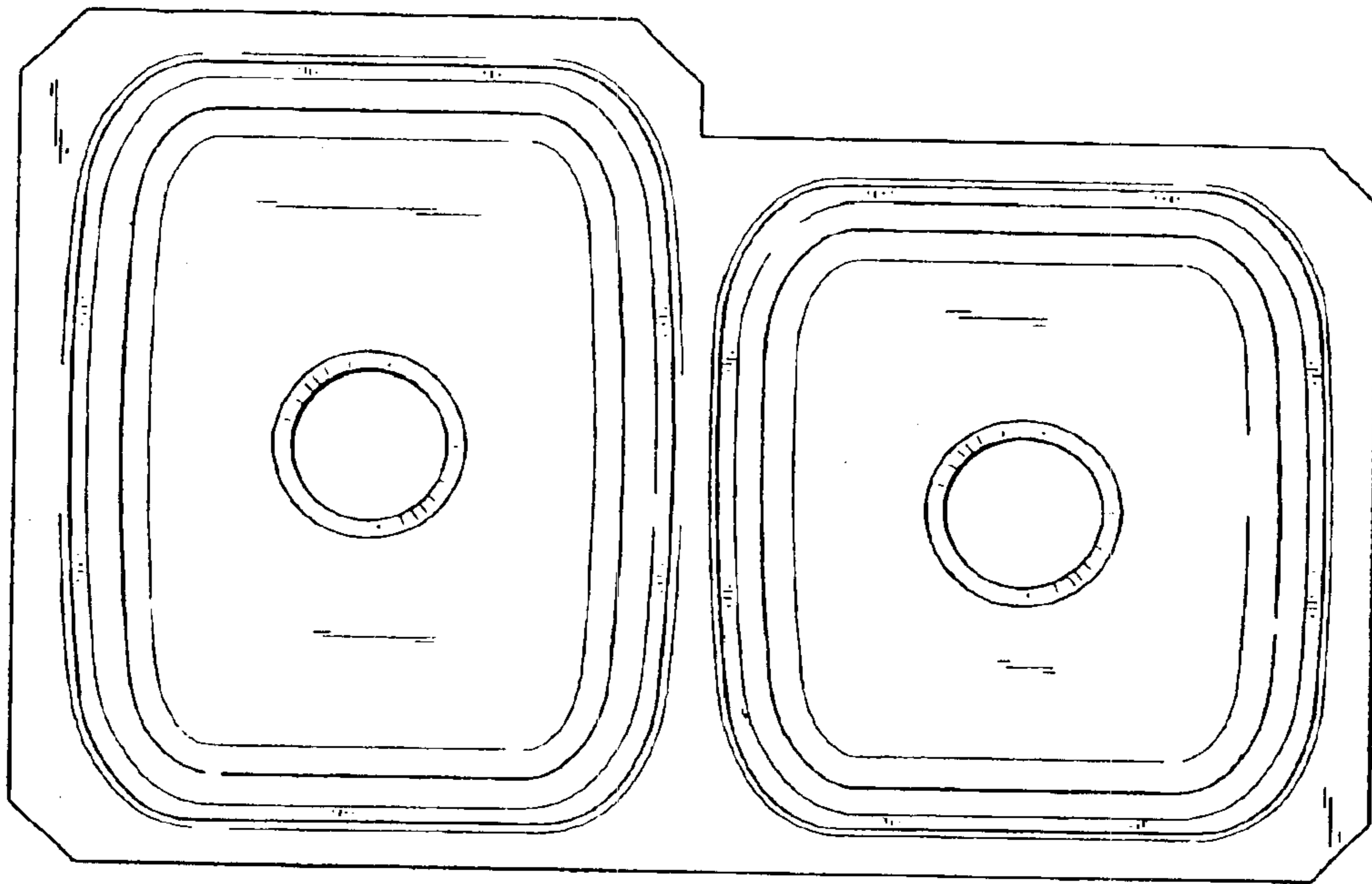


FIG. 3

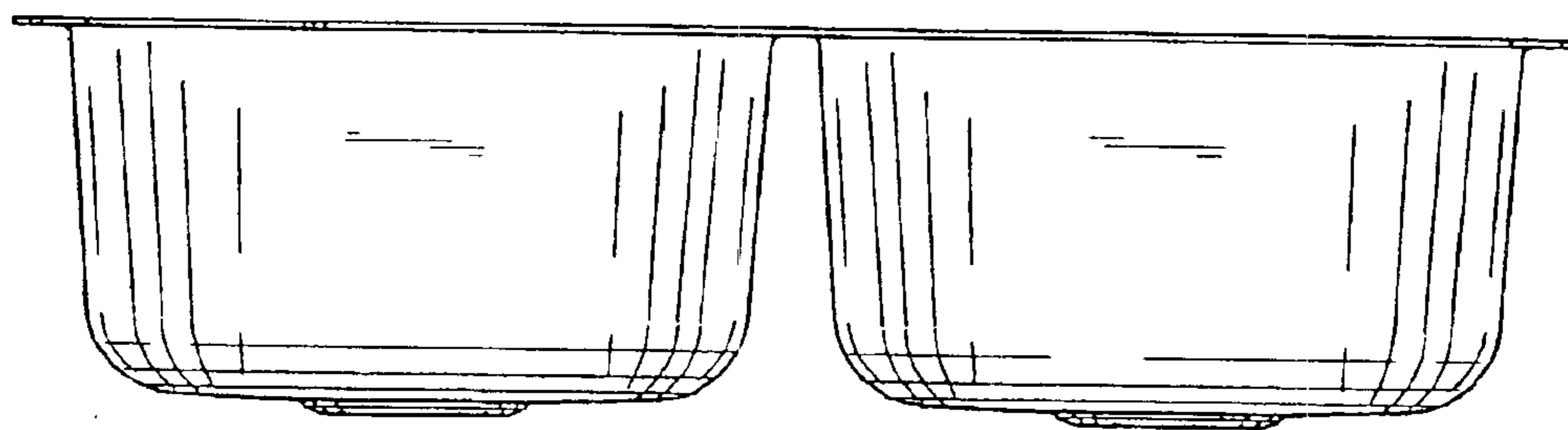


FIG. 4

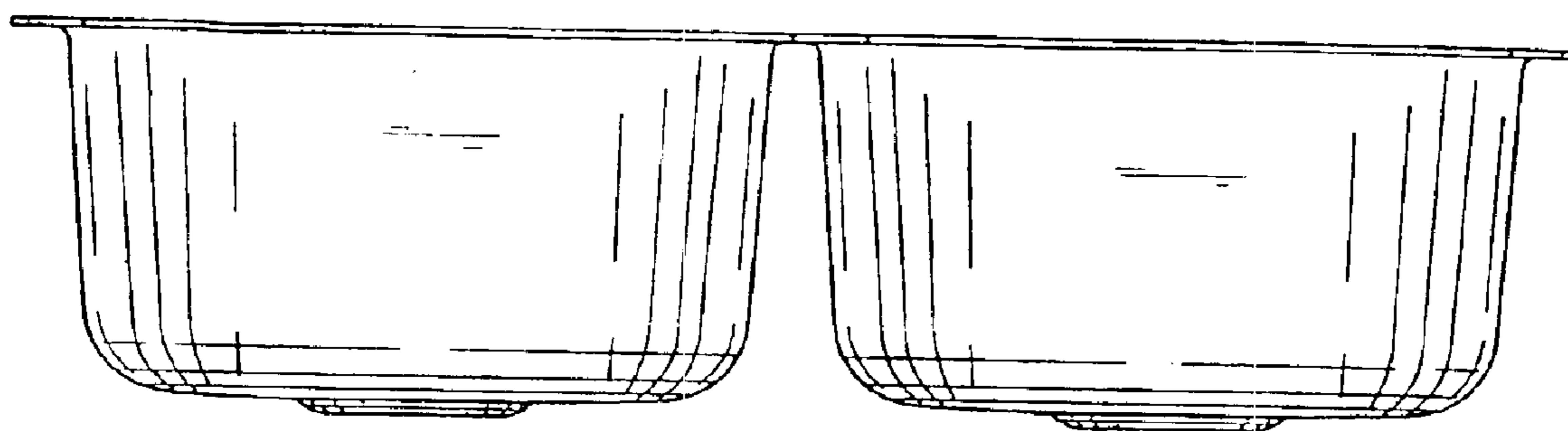


FIG. 5

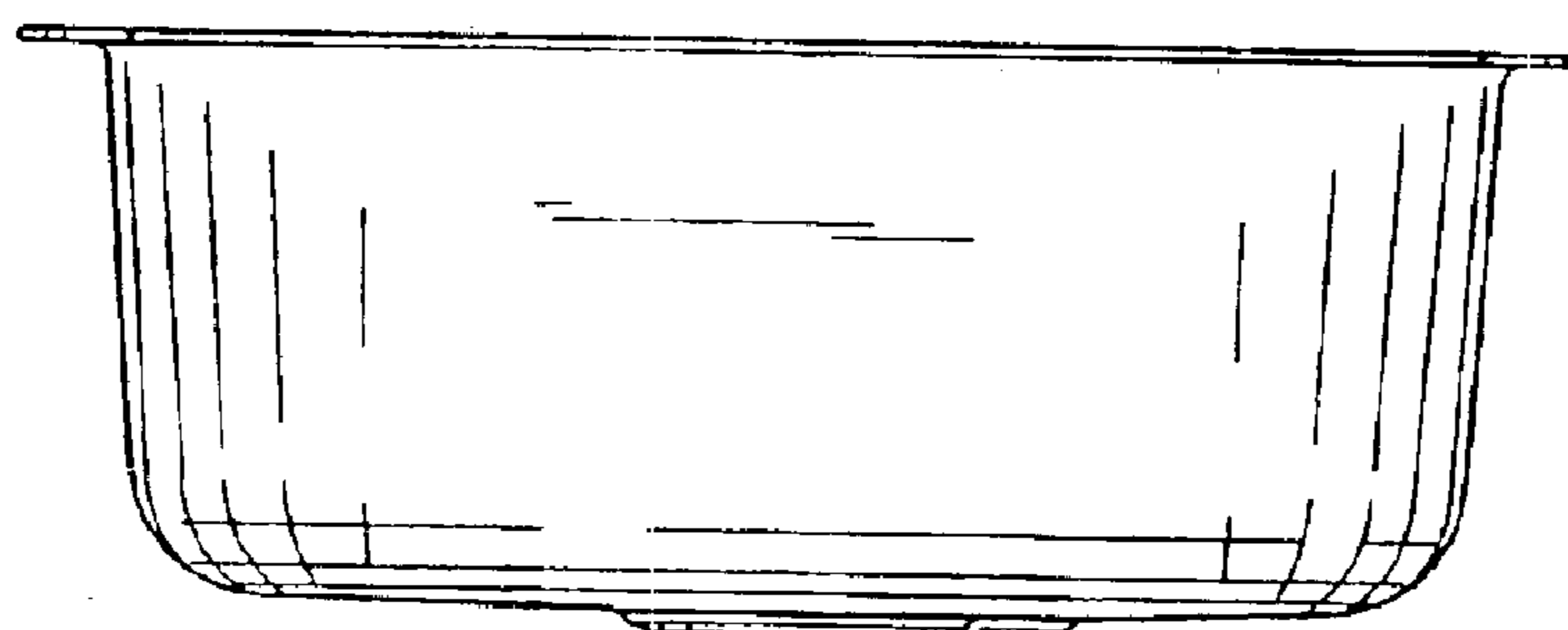


FIG. 6

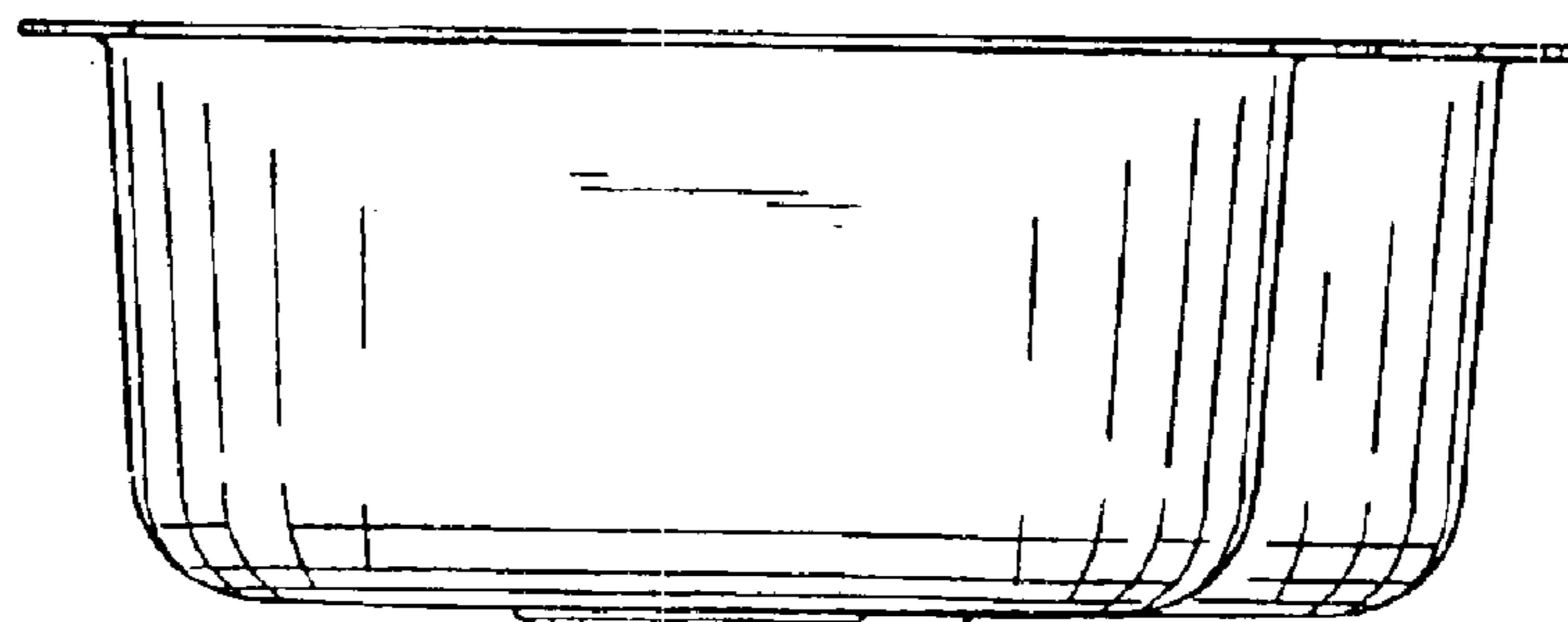


FIG. 7

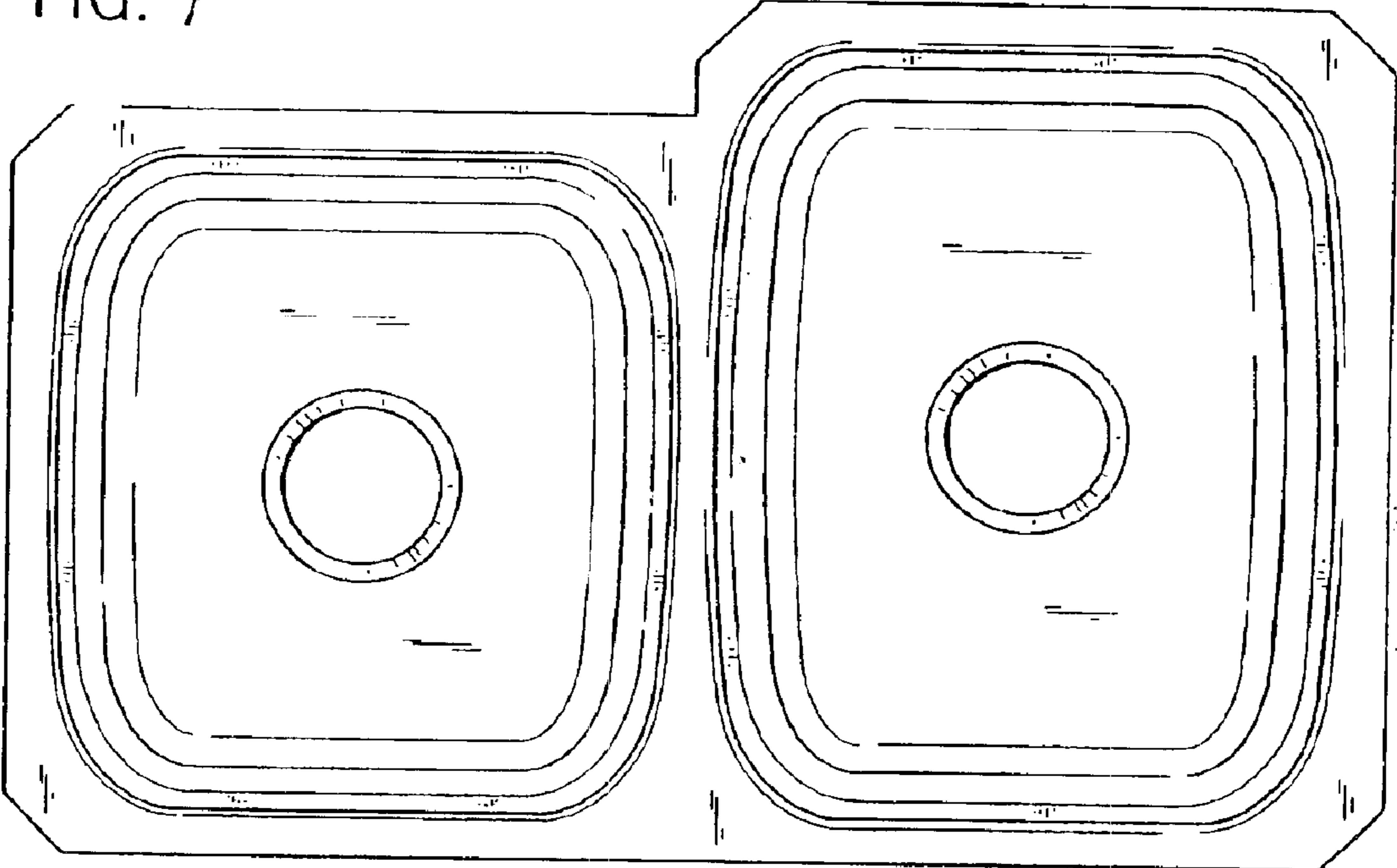
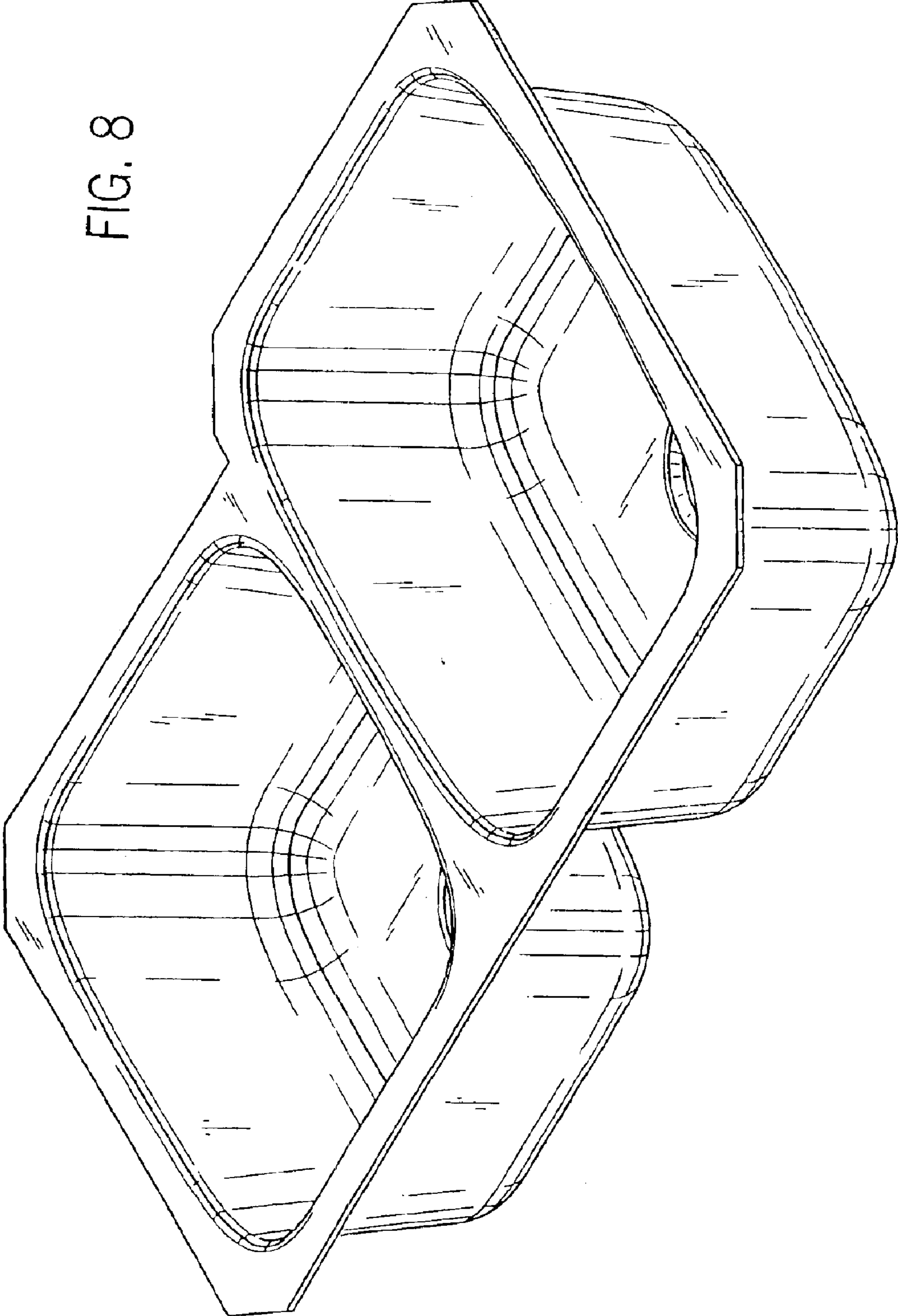


FIG. 8



UNITED STATES PATENT AND TRADEMARK OFFICE
CERTIFICATE OF CORRECTION

PATENT NO. : Des. 504,716 S
DATED : May 3, 2005
INVENTOR(S) : Michelle E. Bayer and Christopher M. DeCleene

Page 1 of 1

It is certified that error appears in the above-identified patent and that said Letters Patent is hereby corrected as shown below:

Title page,

Item [22] Filed, "**Oct. 21, 2004**" should read -- **Oct. 22, 2004** --.

Signed and Sealed this

Thirteenth Day of September, 2005

A handwritten signature in black ink that reads "Jon W. Dudas". The signature is written in a cursive style with a large, looped initial "J".

JON W. DUDAS

Director of the United States Patent and Trademark Office