



US00D504715S

(12) **United States Design Patent**
Hagihara

(10) **Patent No.:** **US D504,715 S**

(45) **Date of Patent:** **** May 3, 2005**

(54) **VALVE**

(75) **Inventor:** **Syunichiro Hagihara, Nobeoka (JP)**

(73) **Assignee:** **Asaki Organic Chemicals Industry Co., Ltd., Nobeoka (JP)**

(**) **Term:** **14 Years**

(21) **Appl. No.:** **29/200,192**

(22) **Filed:** **Feb. 26, 2004**

(30) **Foreign Application Priority Data**

Sep. 1, 2003 (JP) 2003-025459

(51) **LOC (7) Cl.** **23-01**

(52) **U.S. Cl.** **D23/235; D23/245**

(58) **Field of Search** **D23/233-237, D23/244-249; 137/505, 505.42, 116.3; 251/1-9, 288, 337**

(56) **References Cited**

U.S. PATENT DOCUMENTS

D218,306 S	*	8/1970	Krebs	D23/245
D287,044 S	*	12/1986	Hughes	D23/248
4,696,320 A	*	9/1987	Bull	137/116.5
4,703,775 A	*	11/1987	Pastrone	137/625.3
D317,494 S	*	6/1991	Miyake et al.	D23/235
5,452,741 A	*	9/1995	Tomita et al.	137/505.26
D373,176 S	*	8/1996	Booth et al.	D23/233
D399,922 S	*	10/1998	Uehara	D23/235
D410,525 S	*	6/1999	Uehara et al.	D23/235
D416,076 S	*	11/1999	Okitsu	D23/235

OTHER PUBLICATIONS

“Valve for Chemical Use,” brochure SE-40, cover & pp. 18 & 21, Nov. 1998, CKD Corporation, Nagoya, Japan.

“Wet Fine System,” brochure CB-31, cover & p.19, Dec. 12, 2001, CKD Corporation, Nagoya, Japan.

* cited by examiner

Primary Examiner—Nelson C. Holtje

(74) *Attorney, Agent, or Firm*—Burns, Doane, Swecker & Mathis, L.L.P.

(57) **CLAIM**

The ornamental design for a valve, as shown and described.

DESCRIPTION

FIG. 1 is a rear perspective view of a valve showing my new design;

FIG. 2 is a front elevational view thereof;

FIG. 3 is a rear elevational view thereof;

FIG. 4 is a left side elevational view thereof;

FIG. 5 is a right side elevational view thereof;

FIG. 6 is a top plan view thereof;

FIG. 7 is a bottom plan view thereof;

FIG. 8 is a cross-sectional view taken along the line 8—8 in FIG. 6;

FIG. 9 is a cross-sectional view taken along the line 9—9 in FIG. 6;

FIG. 10 is a rear perspective view of the valve when the upper main body rotates 90 degree;

FIG. 11 is a rear perspective view of the valve when the upper main body rotates 180 degree; and,

FIG. 12 is a rear perspective view of the valve when the upper main body rotates 270 degree.

1 Claim, 6 Drawing Sheets

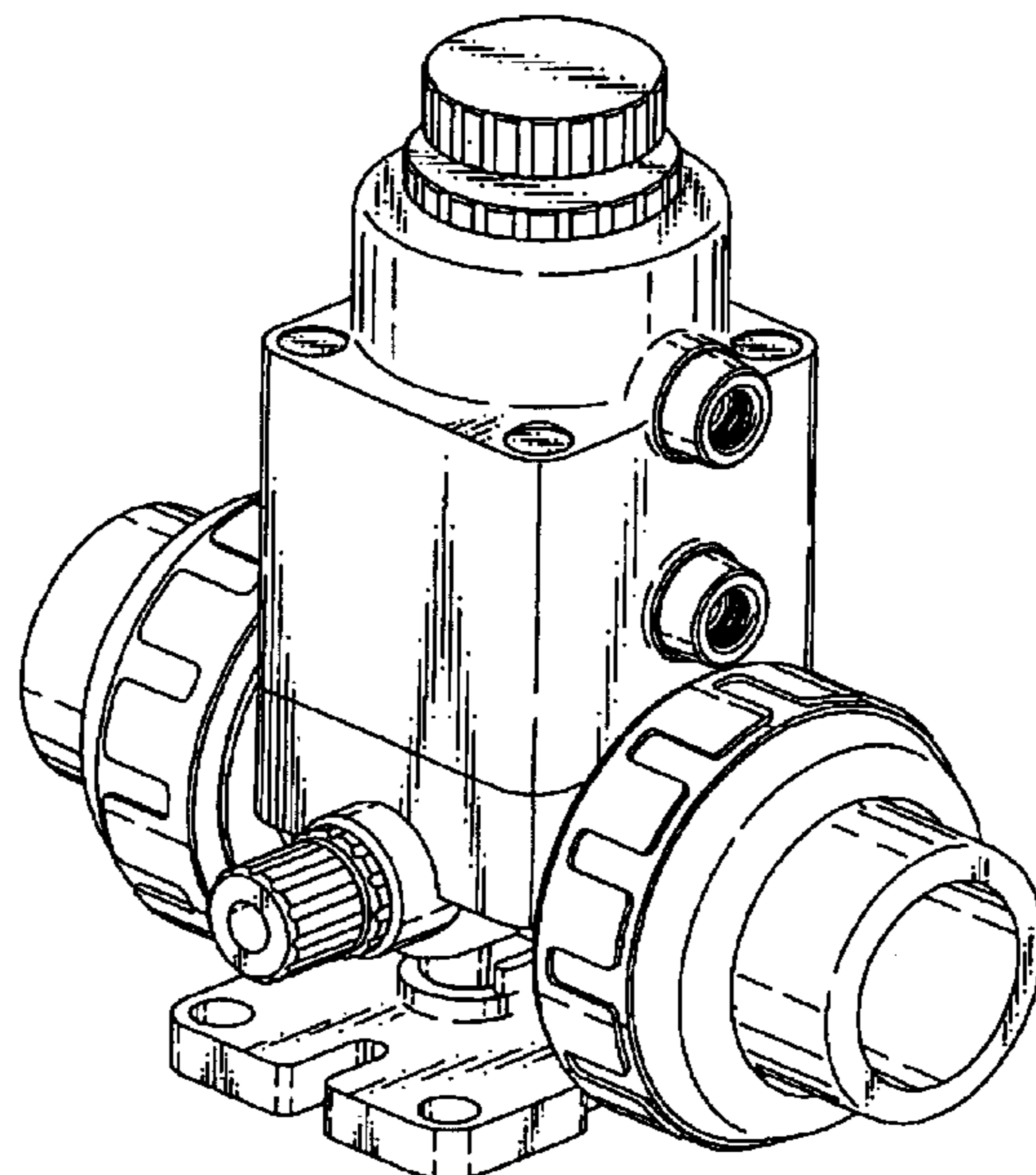


Fig.1

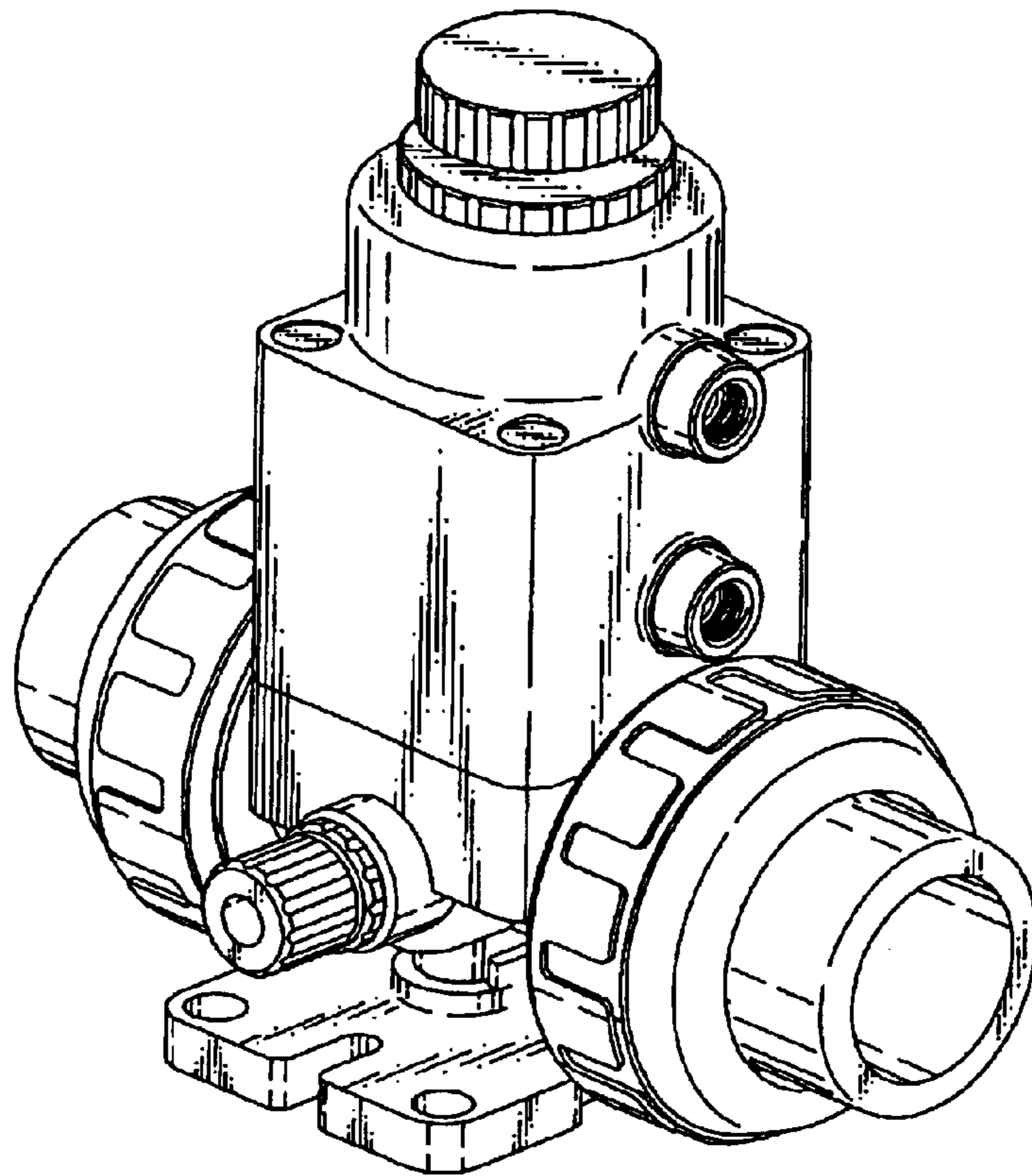


Fig.2

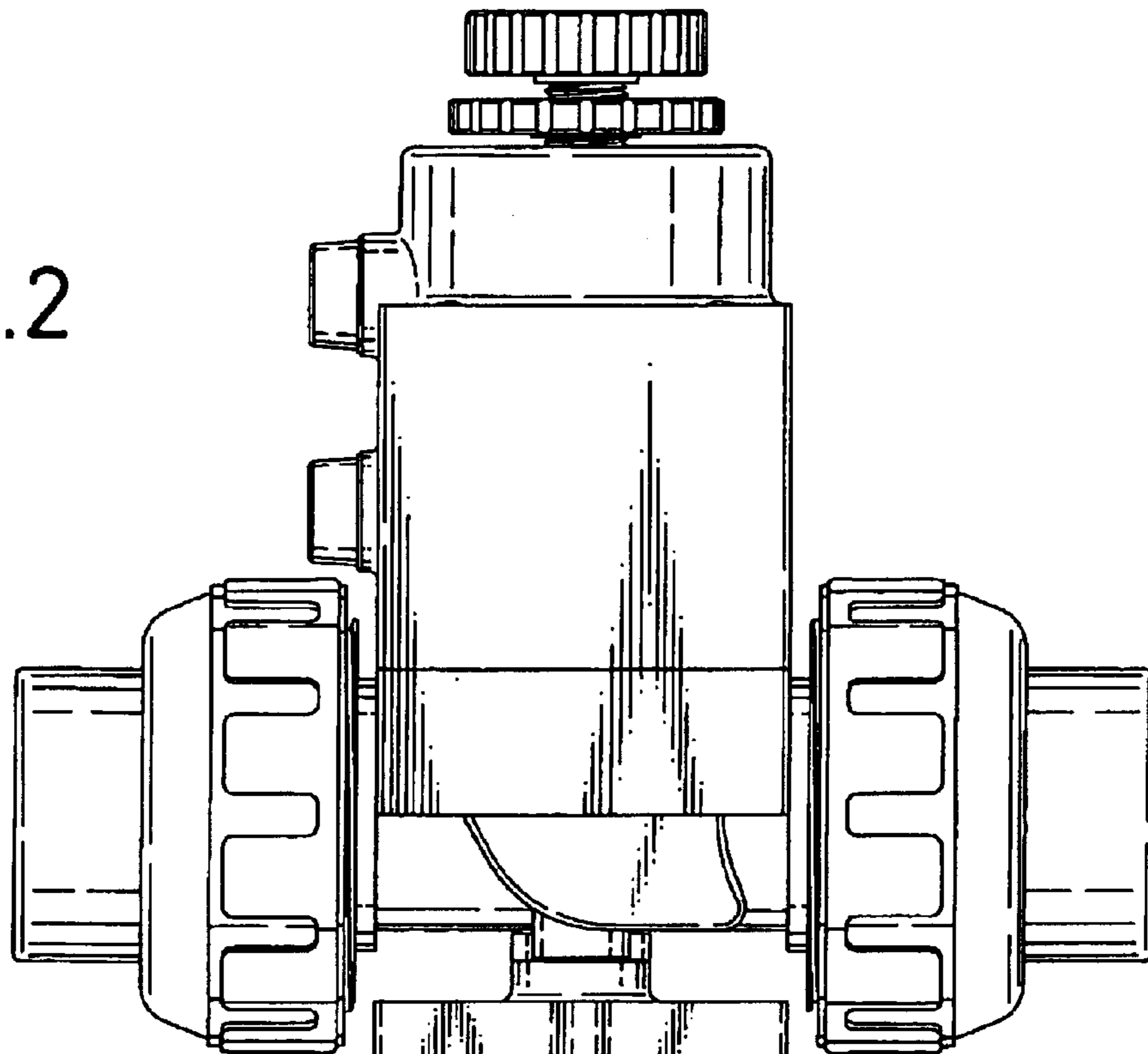


Fig.3

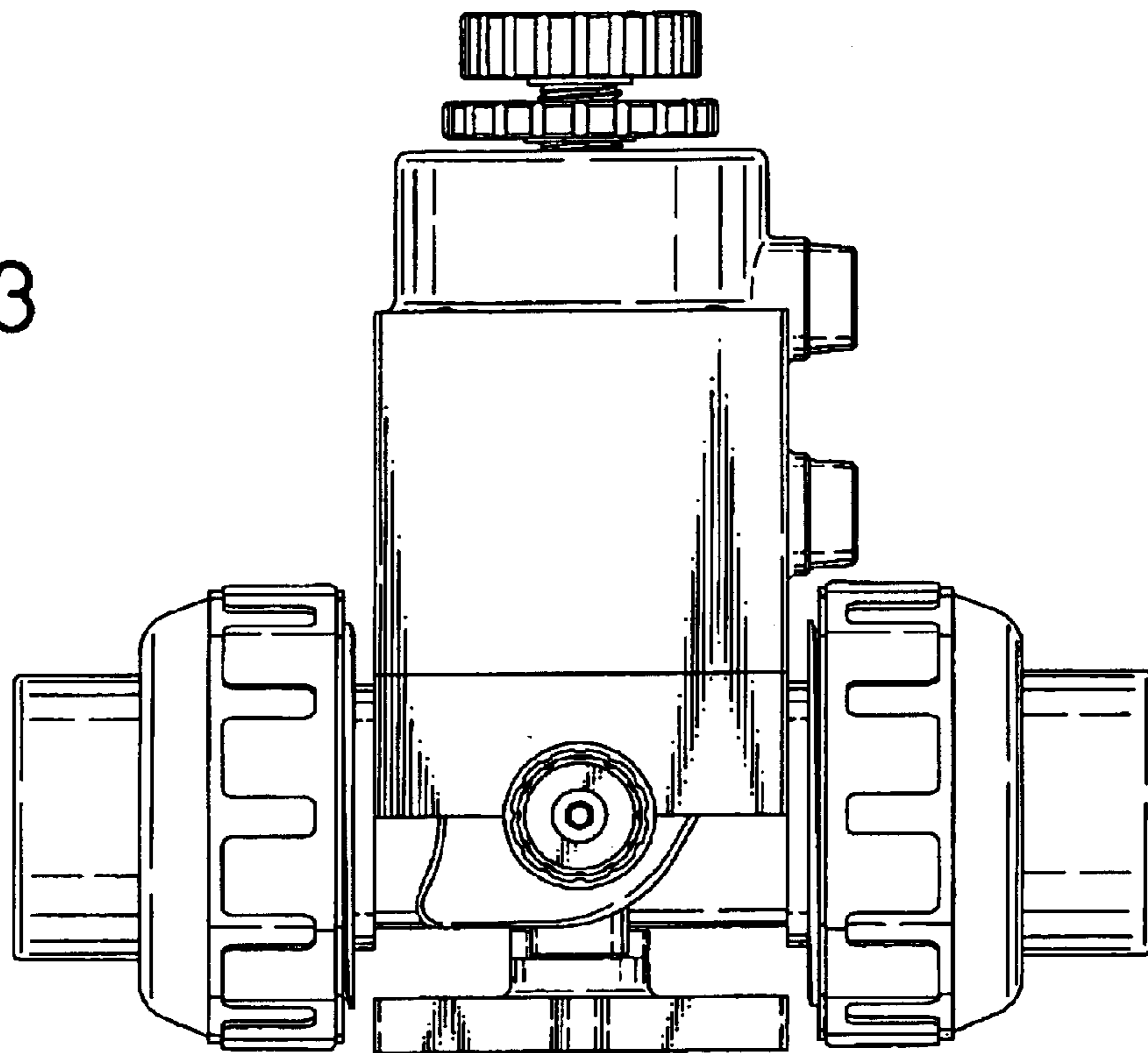


Fig.4

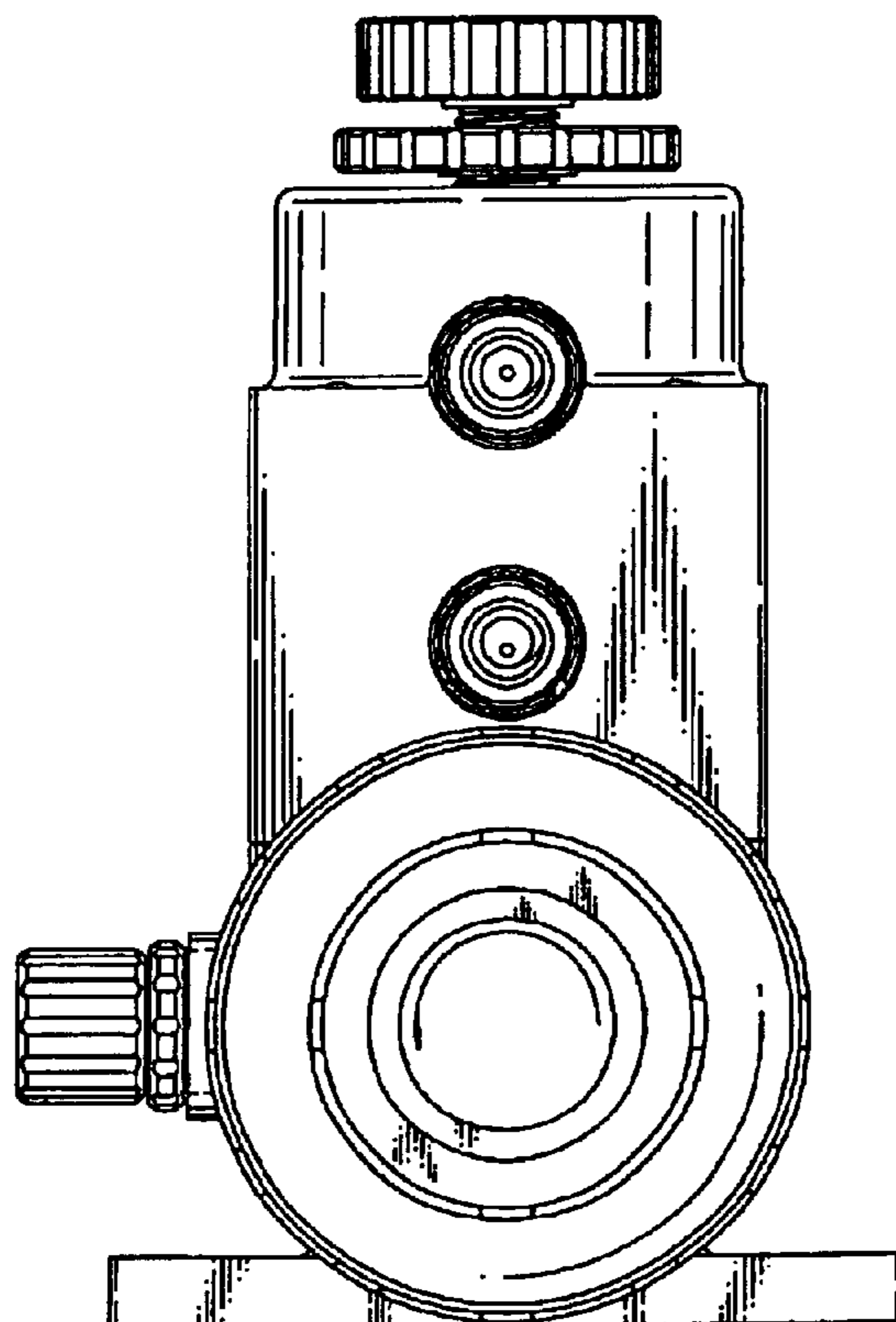


Fig.5

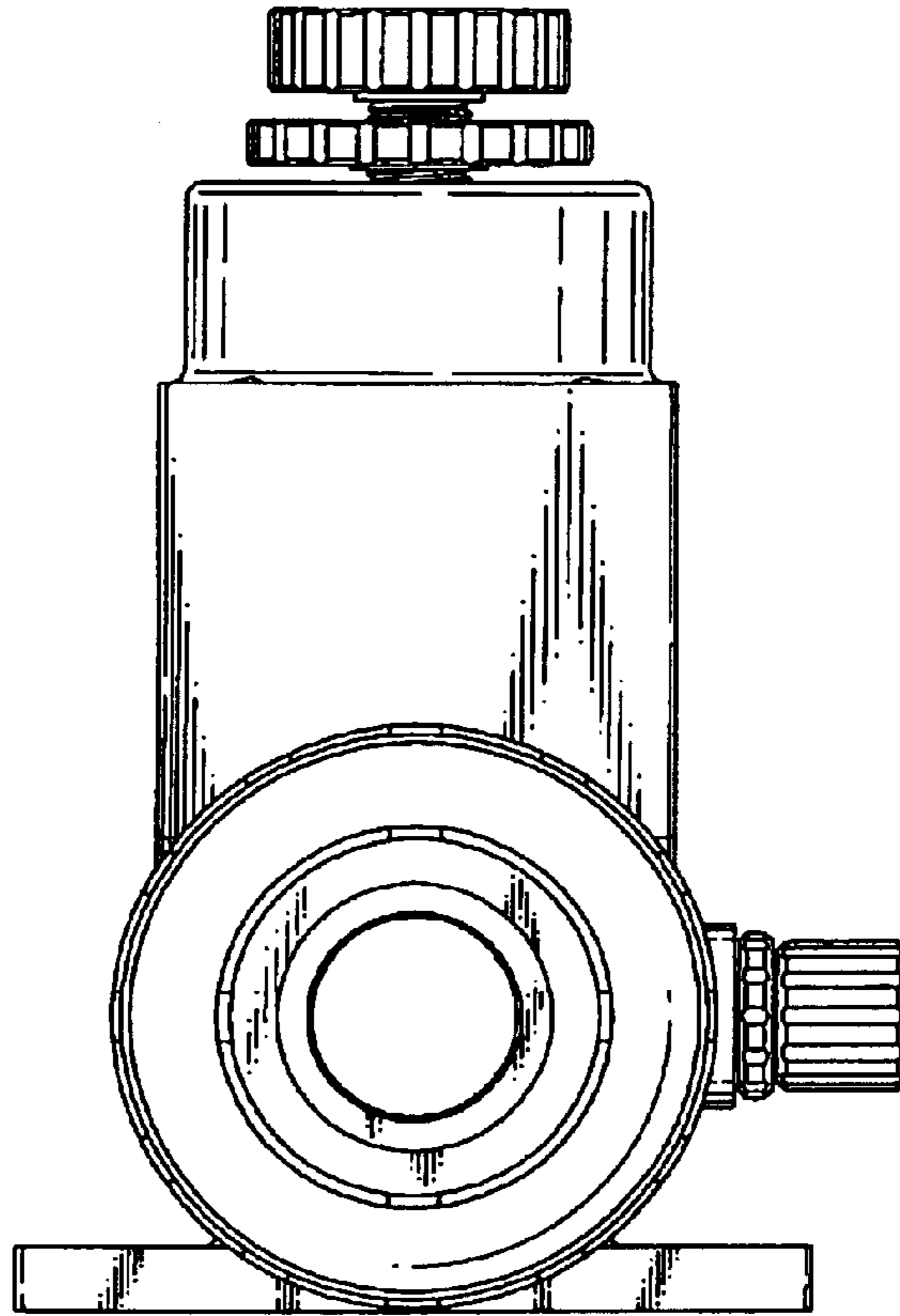


Fig.6

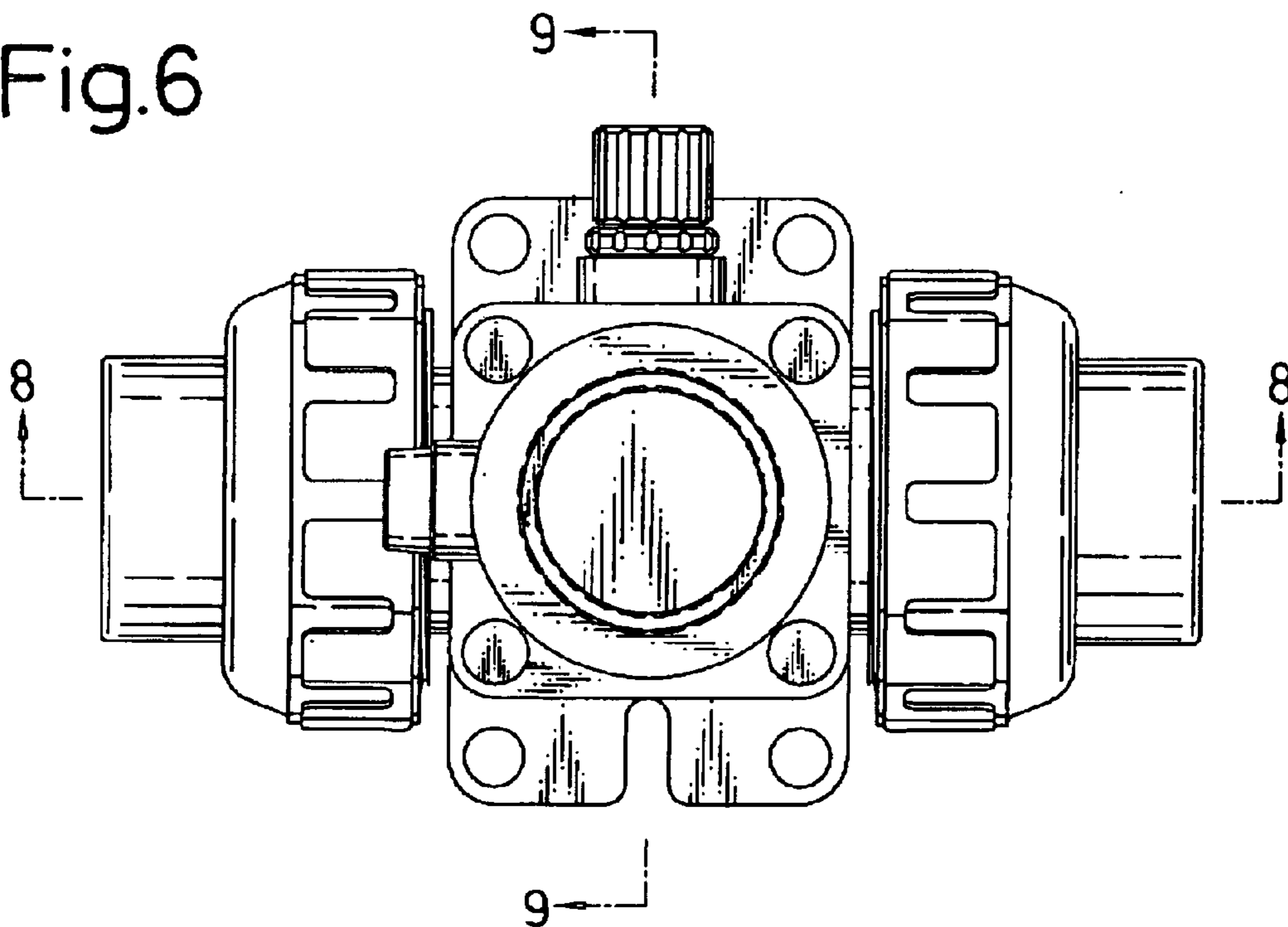


Fig.7

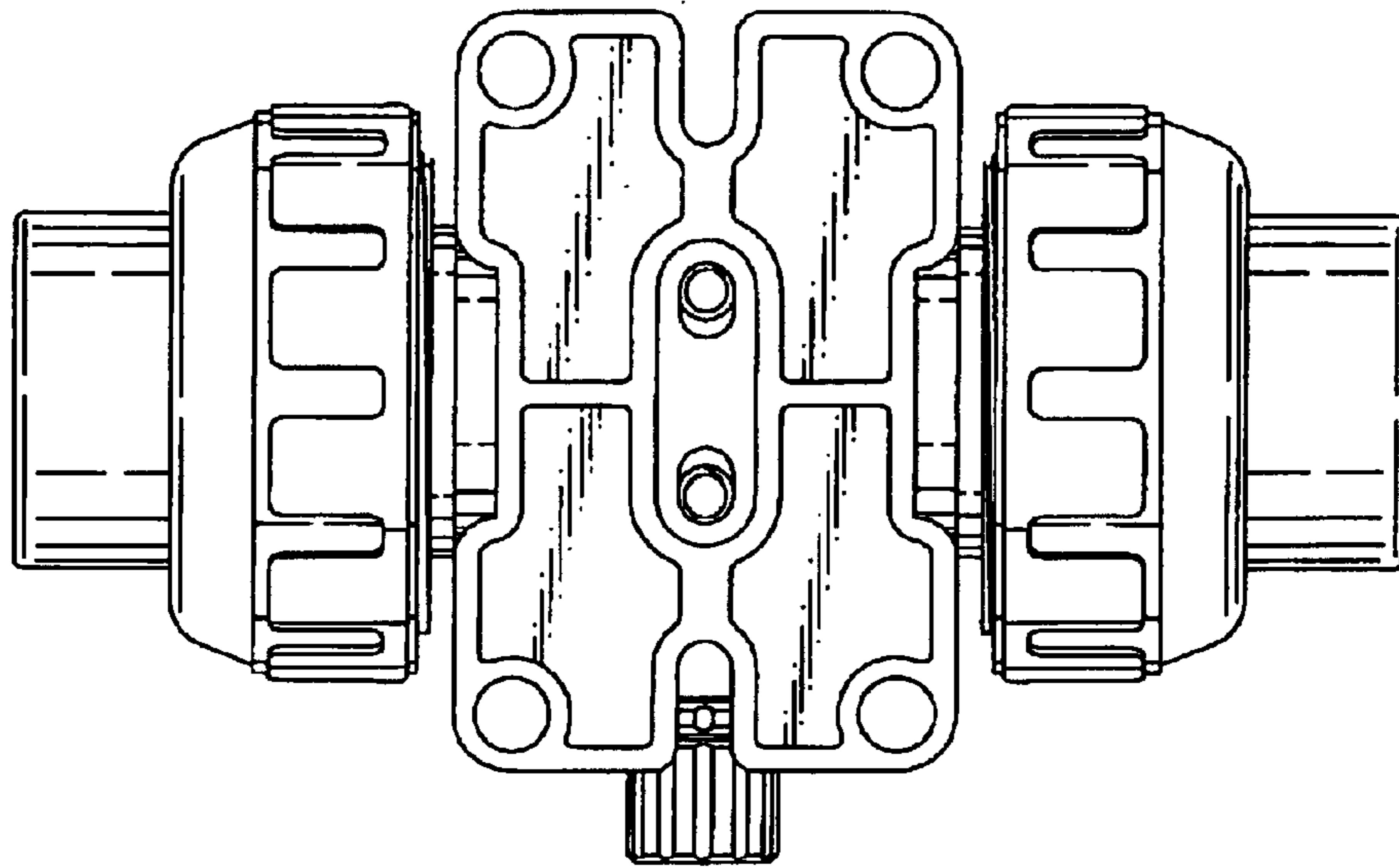


Fig.8

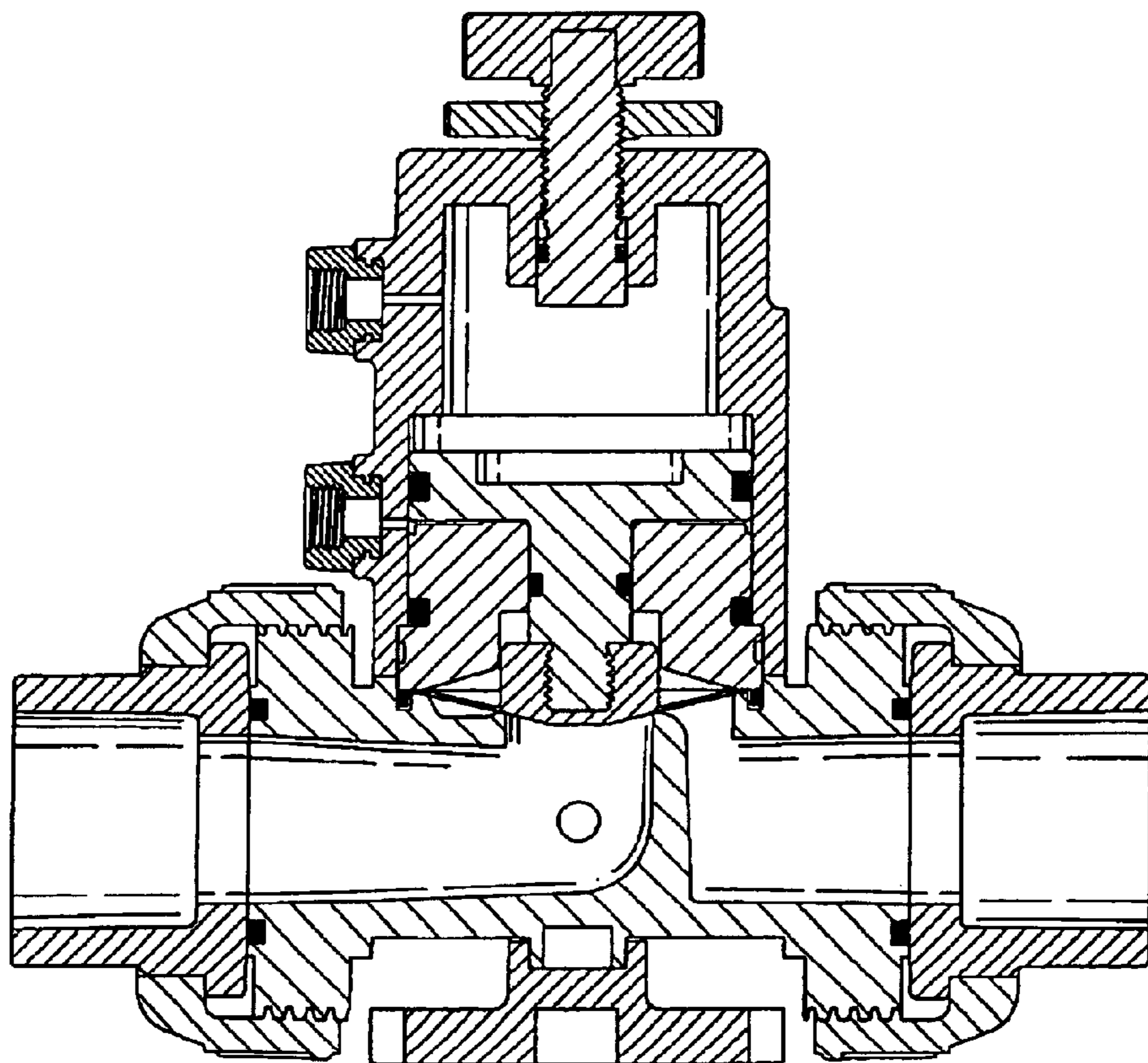


Fig.9

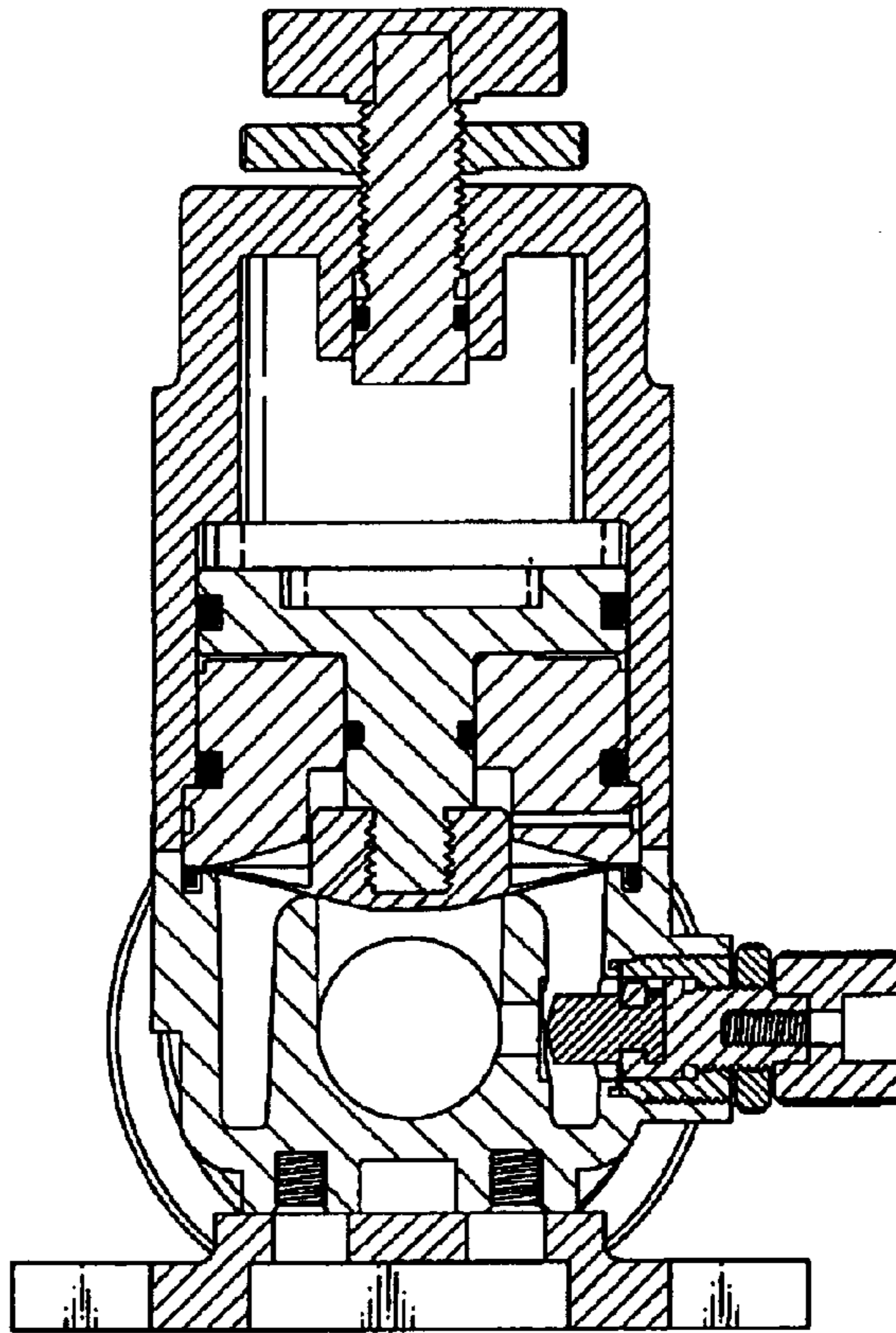


Fig.10

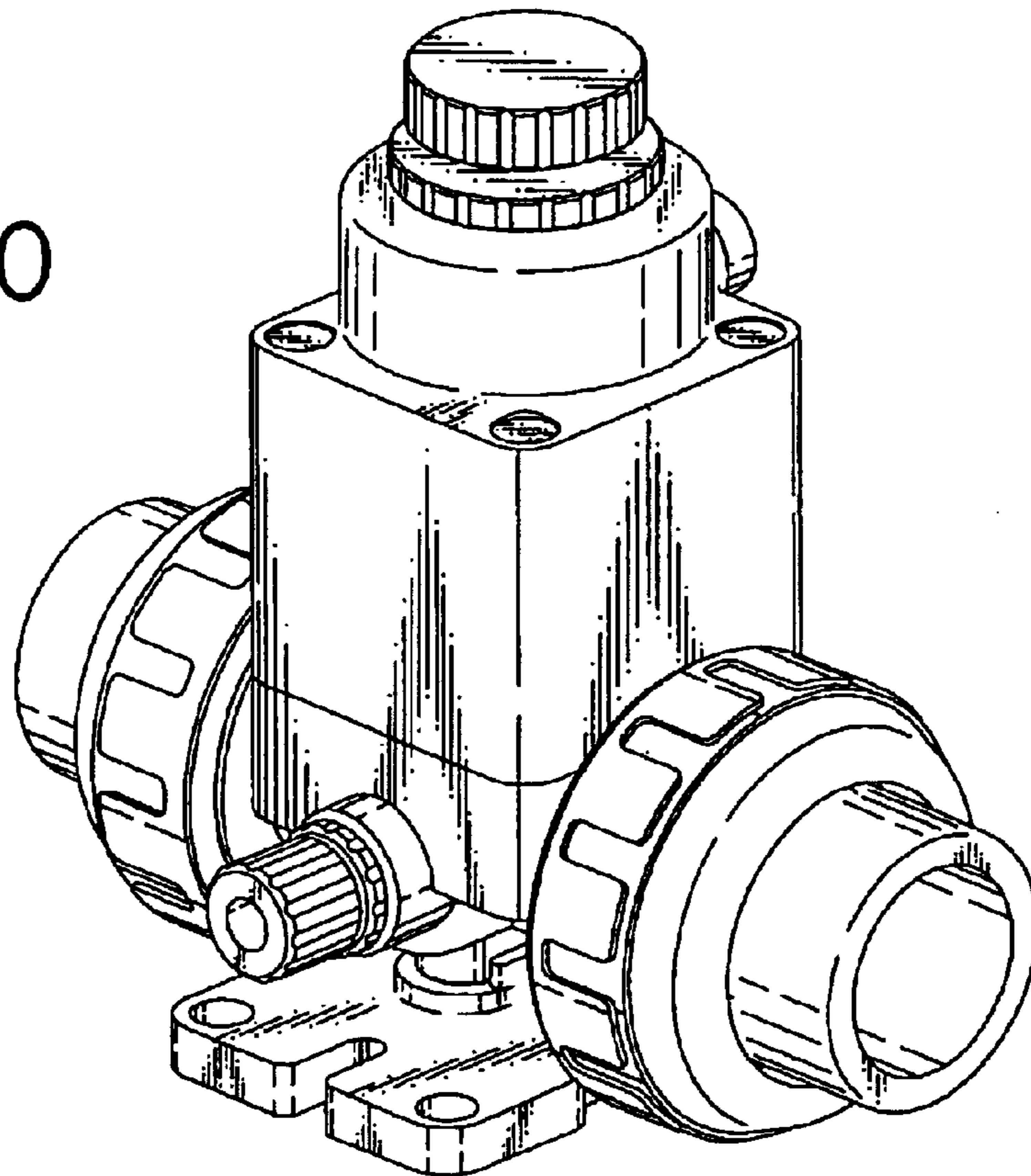


Fig.11

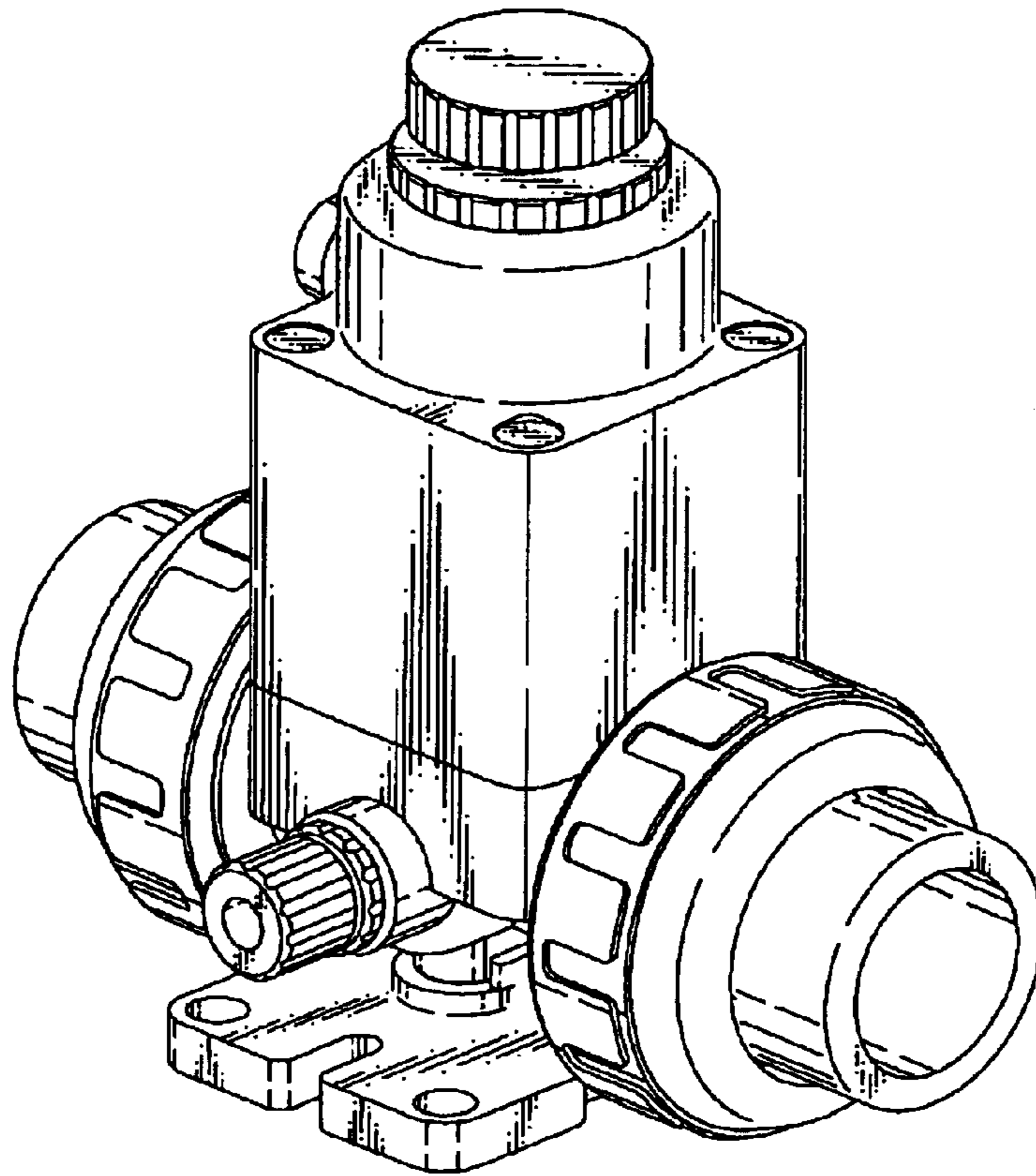
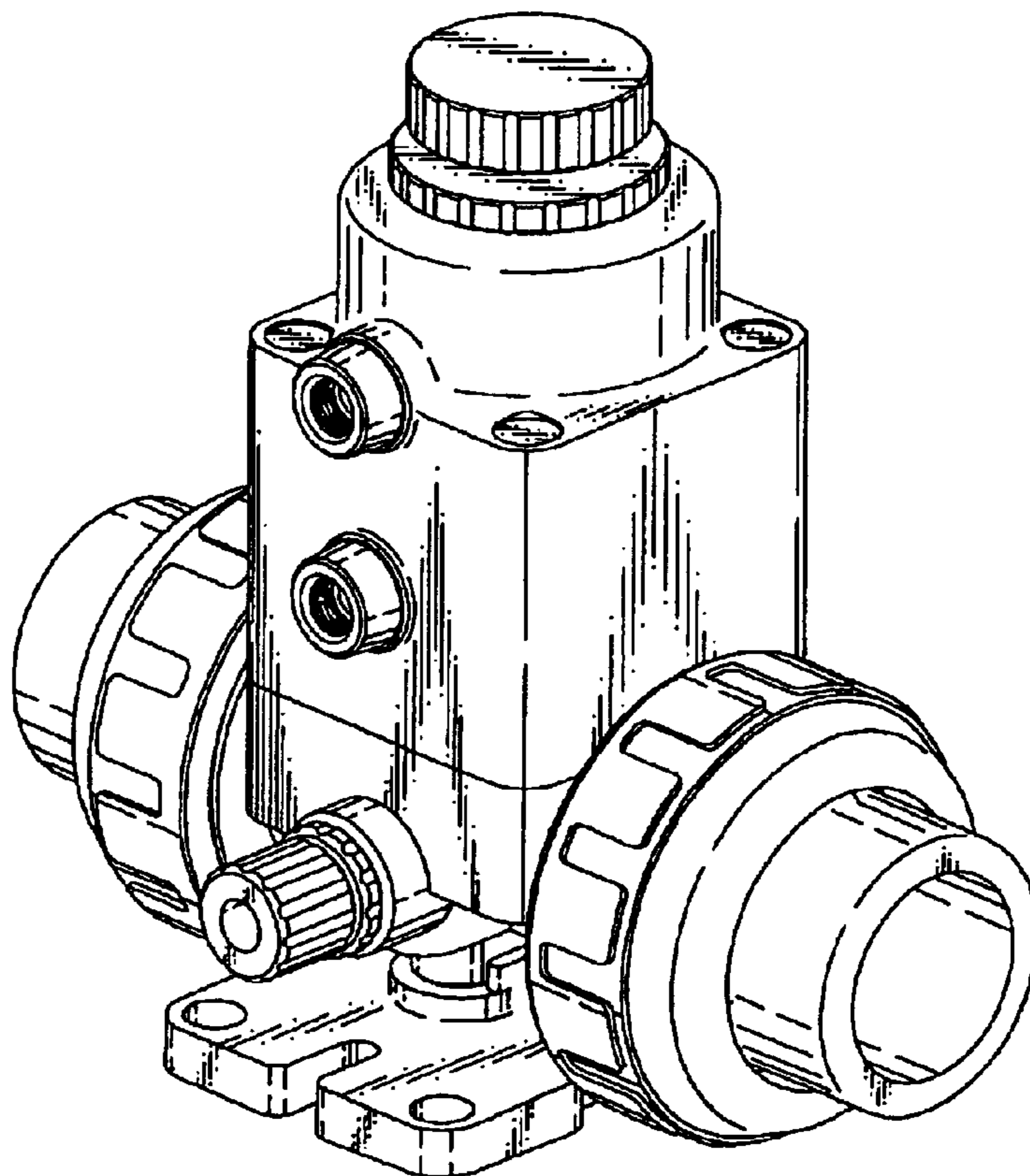


Fig.12



UNITED STATES PATENT AND TRADEMARK OFFICE
CERTIFICATE OF CORRECTION

PATENT NO. : Des. 504,715 S
APPLICATION NO. : 29/200192
DATED : May 3, 2005
INVENTOR(S) : Syunichiro Hagihara

Page 1 of 1

It is certified that error appears in the above-identified patent and that said Letters Patent is hereby corrected as shown below:

On The Title Page; Item (73) Assignee: change "Asaki" to --Asahi--.

Signed and Sealed this

Fourth Day of September, 2007

A handwritten signature in black ink on a light gray dotted background. The signature reads "Jon W. Dudas" in a cursive style.

JON W. DUDAS

Director of the United States Patent and Trademark Office