

US00D504711S

(12) **United States Design Patent**
Hsiung

(10) **Patent No.:** **US D504,711 S**

(45) **Date of Patent:** **** May 3, 2005**

(54) **CLOCK FACE TRAMPOLINE**

(75) Inventor: **Bob Hsiung**, Walnut, CA (US)

(73) Assignee: **Hupa International, Inc.**, Walnut, CA (US)

(**) Term: **14 Years**

(21) Appl. No.: **29/191,249**

(22) Filed: **Oct. 3, 2003**

(51) **LOC (7) Cl.** **21-02**

(52) **U.S. Cl.** **D21/797**

(58) **Field of Search** D21/797, 662;
482/27, 28, 29, 71, 73; D6/480

(56) **References Cited**

U.S. PATENT DOCUMENTS

4,077,623	A	*	3/1978	Clausell	482/27
4,477,083	A	*	10/1984	Sowards	473/423
5,374,225	A	*	12/1994	Wilkinson	482/27
D362,478	S	*	9/1995	Wilkinson et al.	D21/797
D363,325	S	*	10/1995	Wilkinson	D21/797
5,533,948	A	*	7/1996	Wilkinson	482/27
5,545,110	A	*	8/1996	Hsiang	482/27
5,645,510	A	*	7/1997	Wilkinson	482/27
D384,115	S	*	9/1997	Wilkinson et al.	D21/668
5,674,157	A	*	10/1997	Wilkinson	482/83
6,036,620	A	*	3/2000	Yang	482/27
6,155,495	A	*	12/2000	Jones	239/289
6,162,061	A	*	12/2000	Taylor	434/253

* cited by examiner

Primary Examiner—Philip S. Hyder

(74) *Attorney, Agent, or Firm*—Thomas I. Rozsa; Tony D. Chen

(57) **CLAIM**

The ornamental design for a clock face trampoline, as shown and described.

DESCRIPTION

FIG. 1 is a perspective view of the preferred embodiment of the present invention clock face trampoline, showing my new design;

FIG. 2 is a side elevational view when viewed from the front;

FIG. 3 is side elevational view when viewed from the rear;

FIG. 4 is a top plan view;

FIG. 5 is a bottom plan view;

FIG. 6 is a perspective view of an alternative embodiment of the present invention clock face trampoline;

FIG. 7 is a side elevational view when viewed from the front;

FIG. 8 is side elevational view when viewed from the rear;

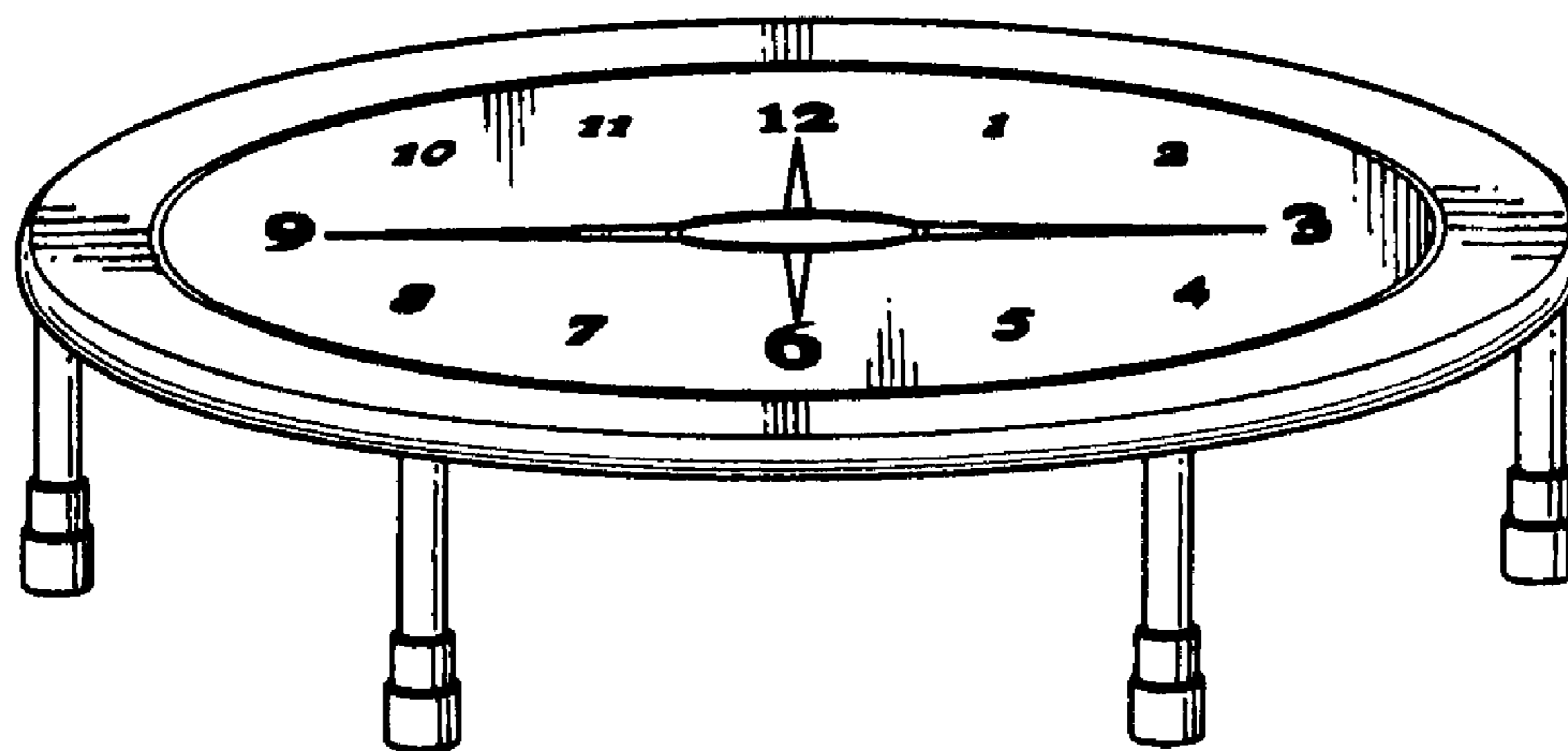
FIG. 9 is a side elevational view when viewed from the left side;

FIG. 10 is a side elevational view when viewed from the right side;

FIG. 11 is a top plan view; and,

FIG. 12 is a bottom plan view.

1 Claim, 5 Drawing Sheets



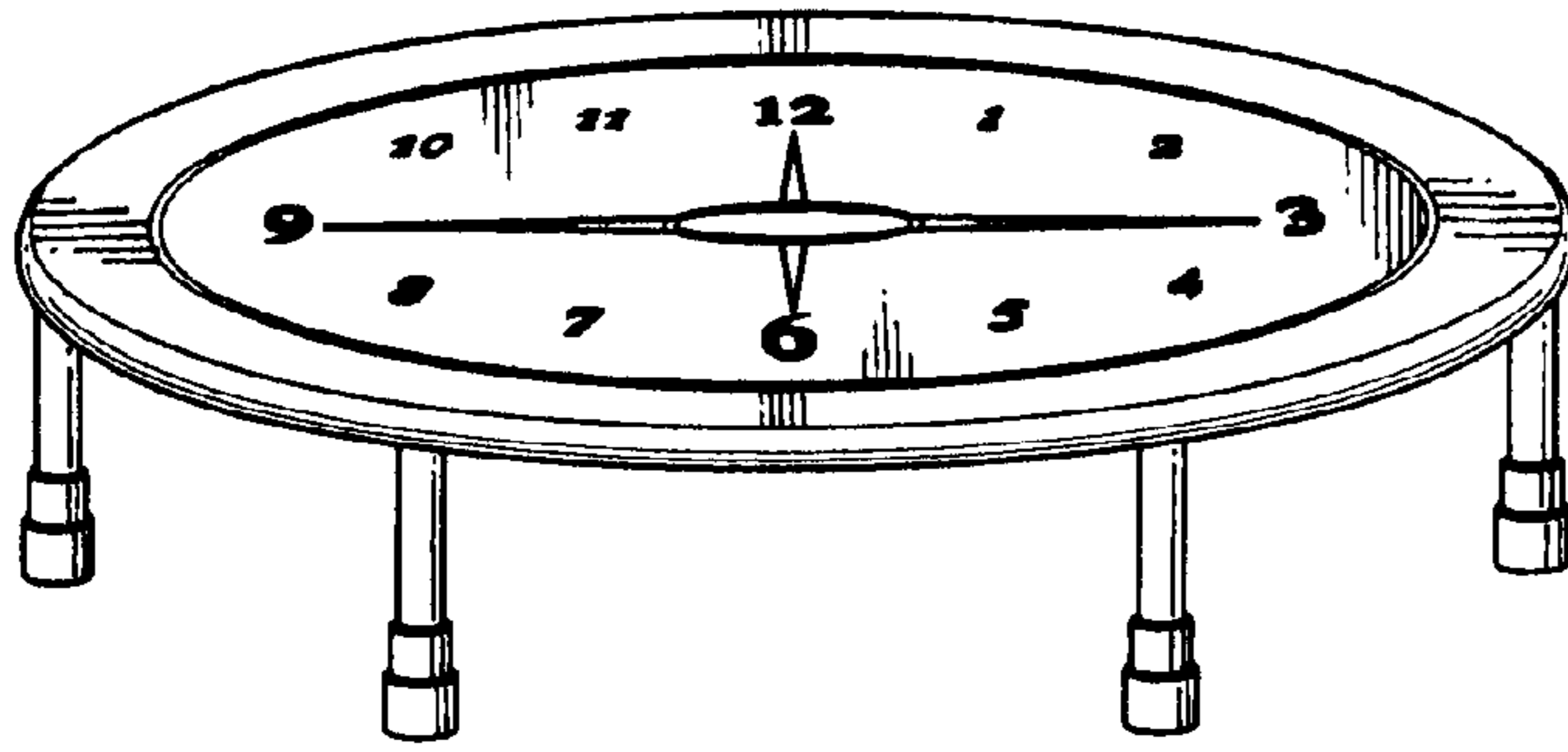


FIG. 1

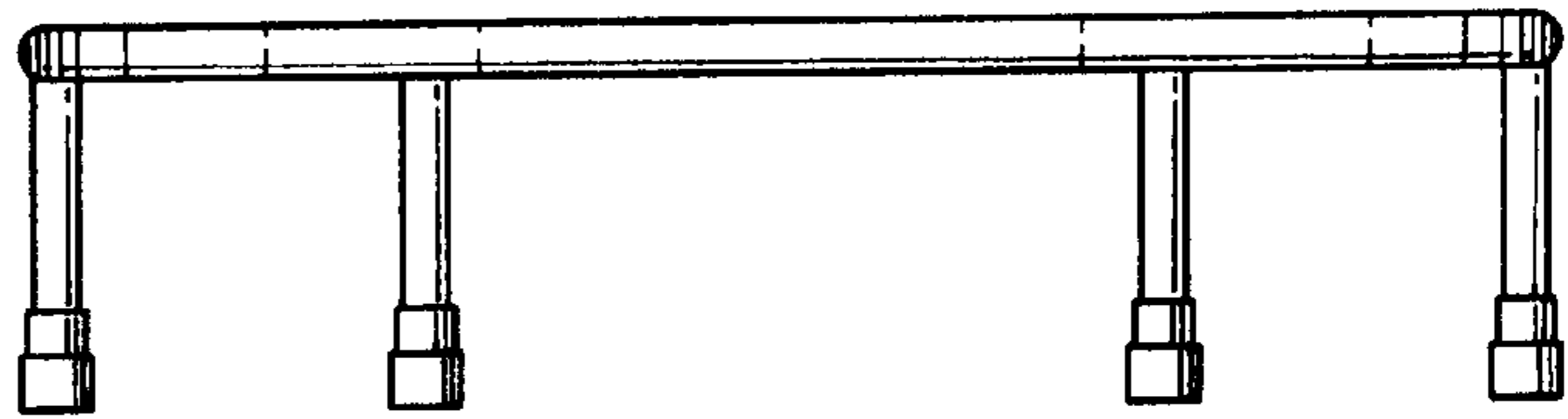


FIG. 2

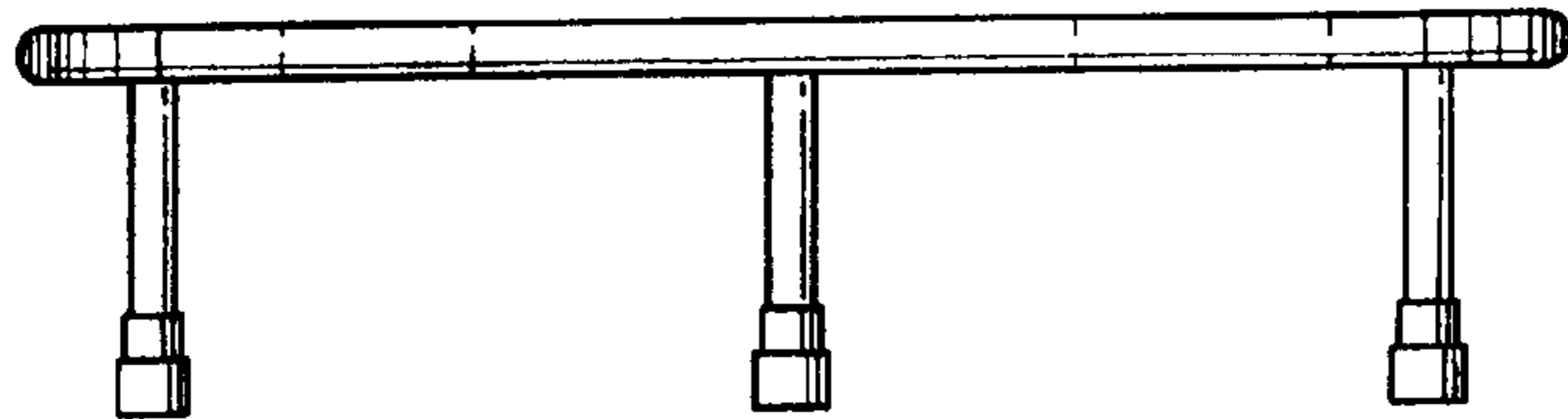


FIG. 3

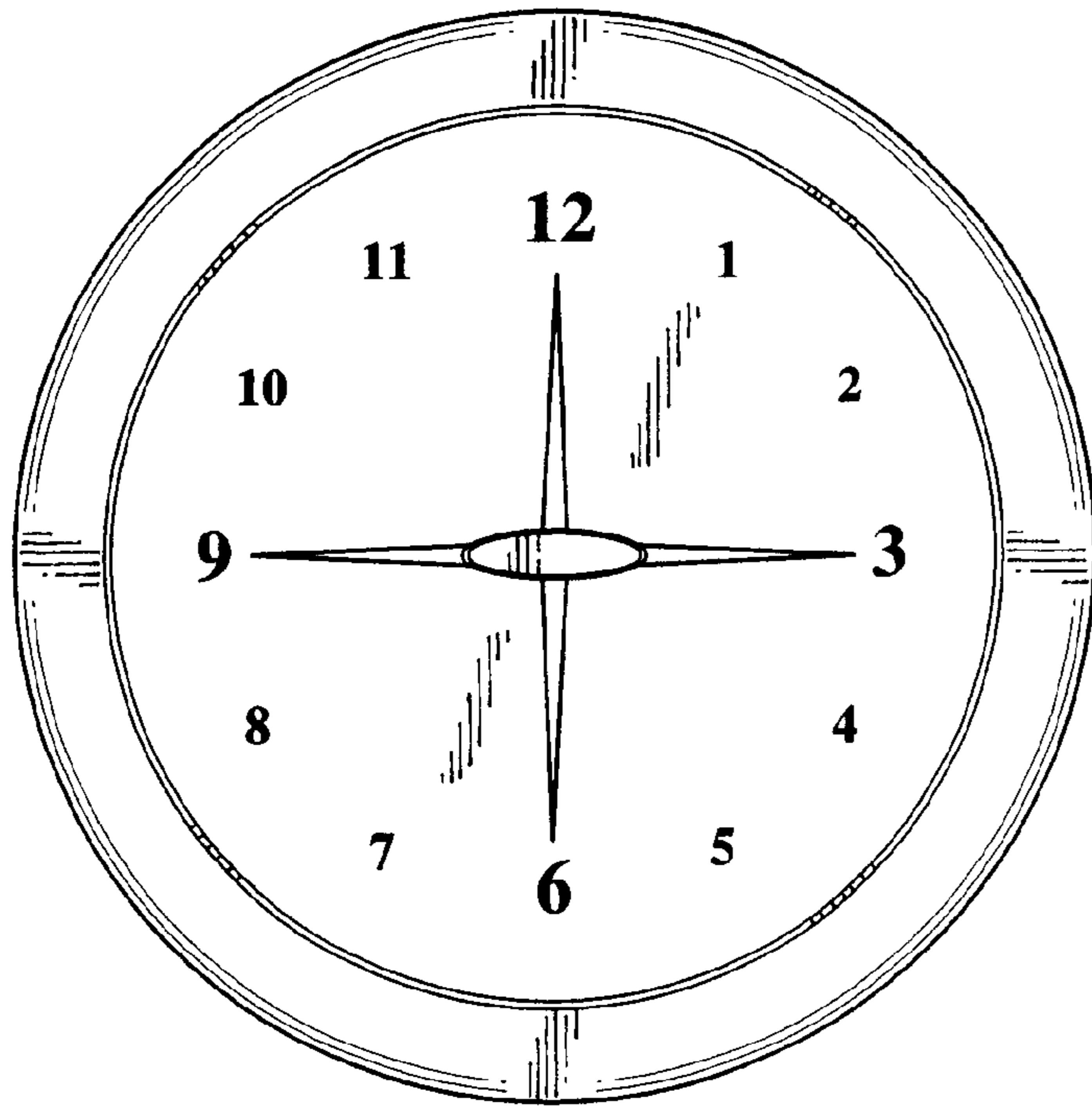


FIG.4

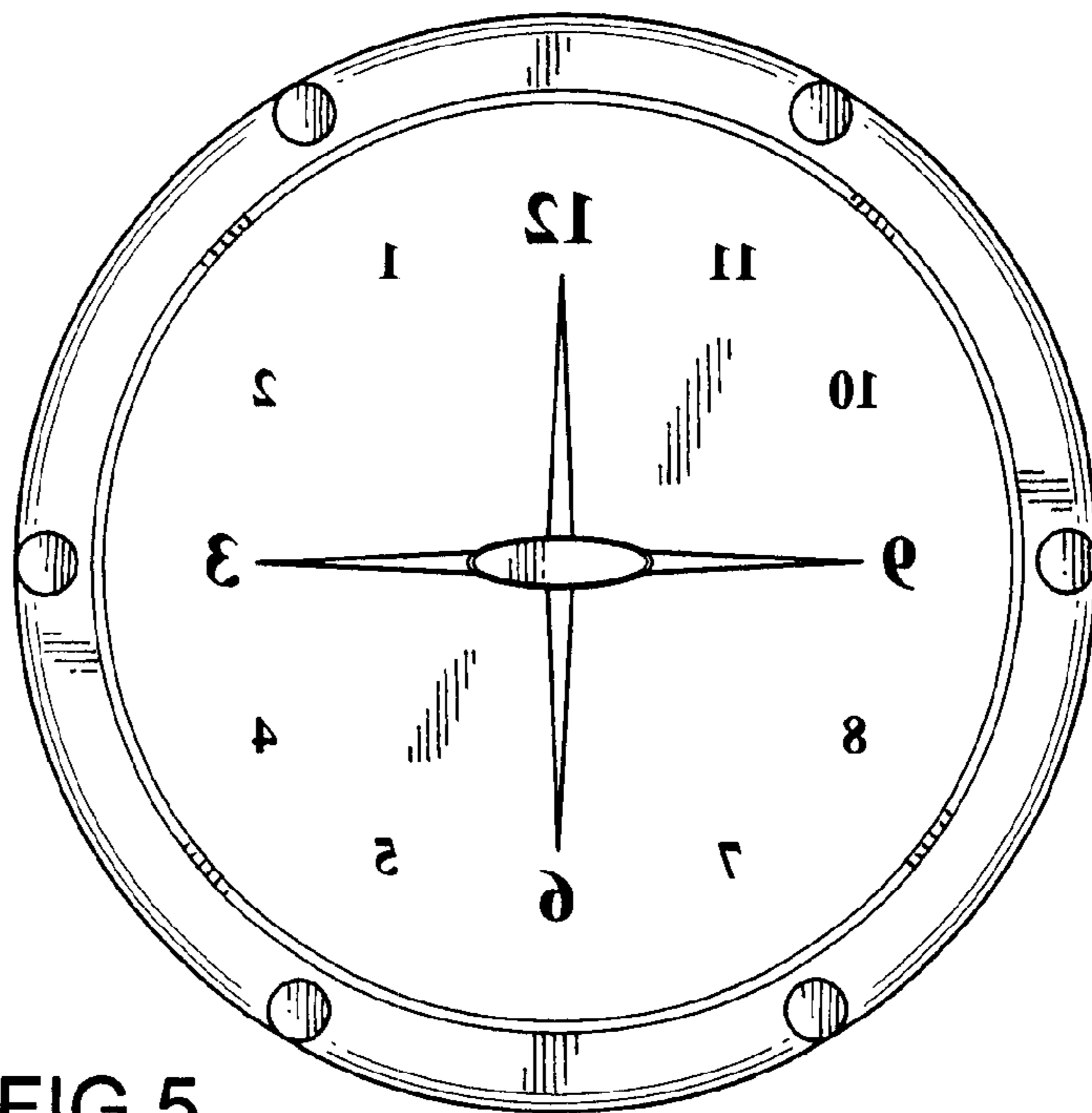


FIG.5

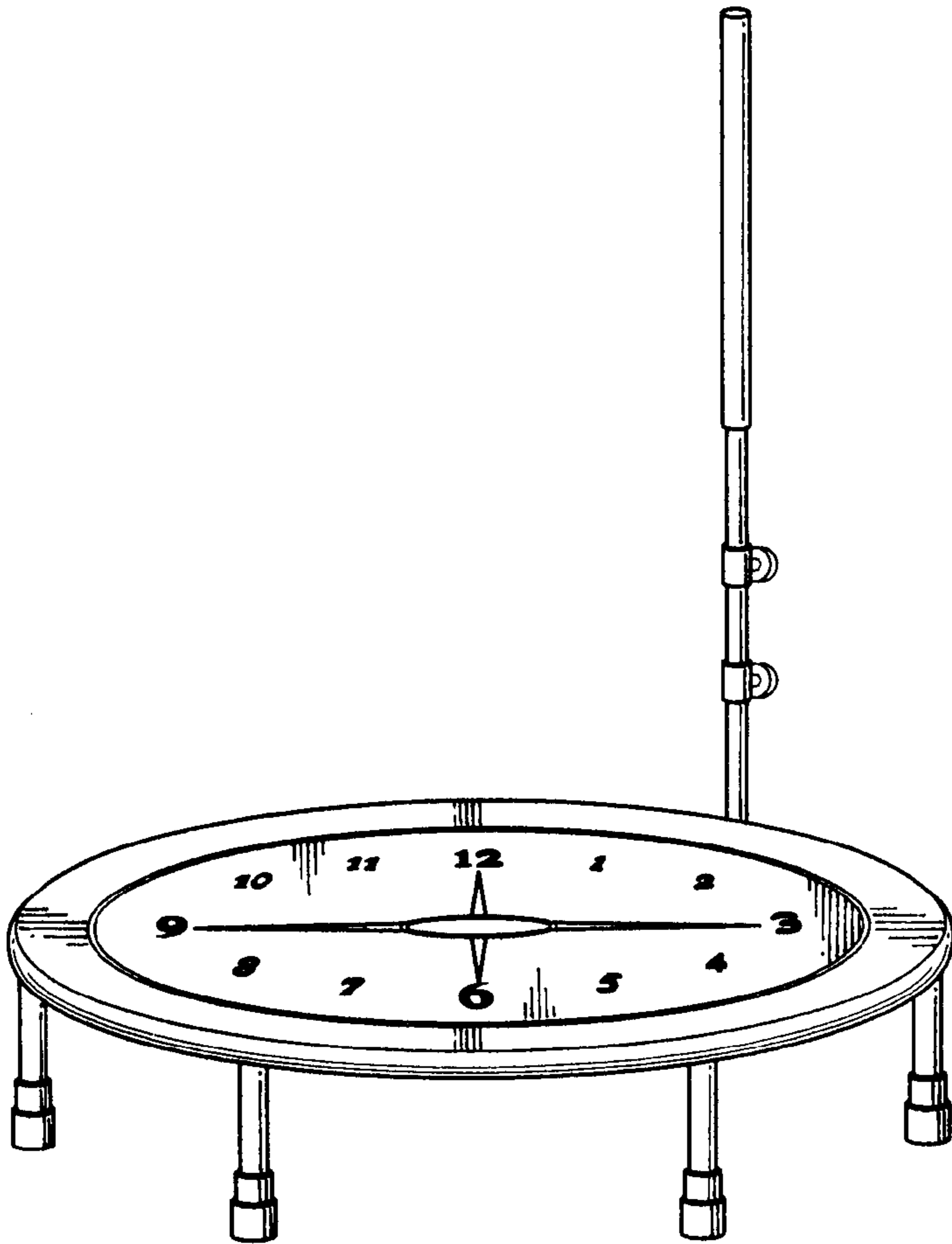


FIG. 6

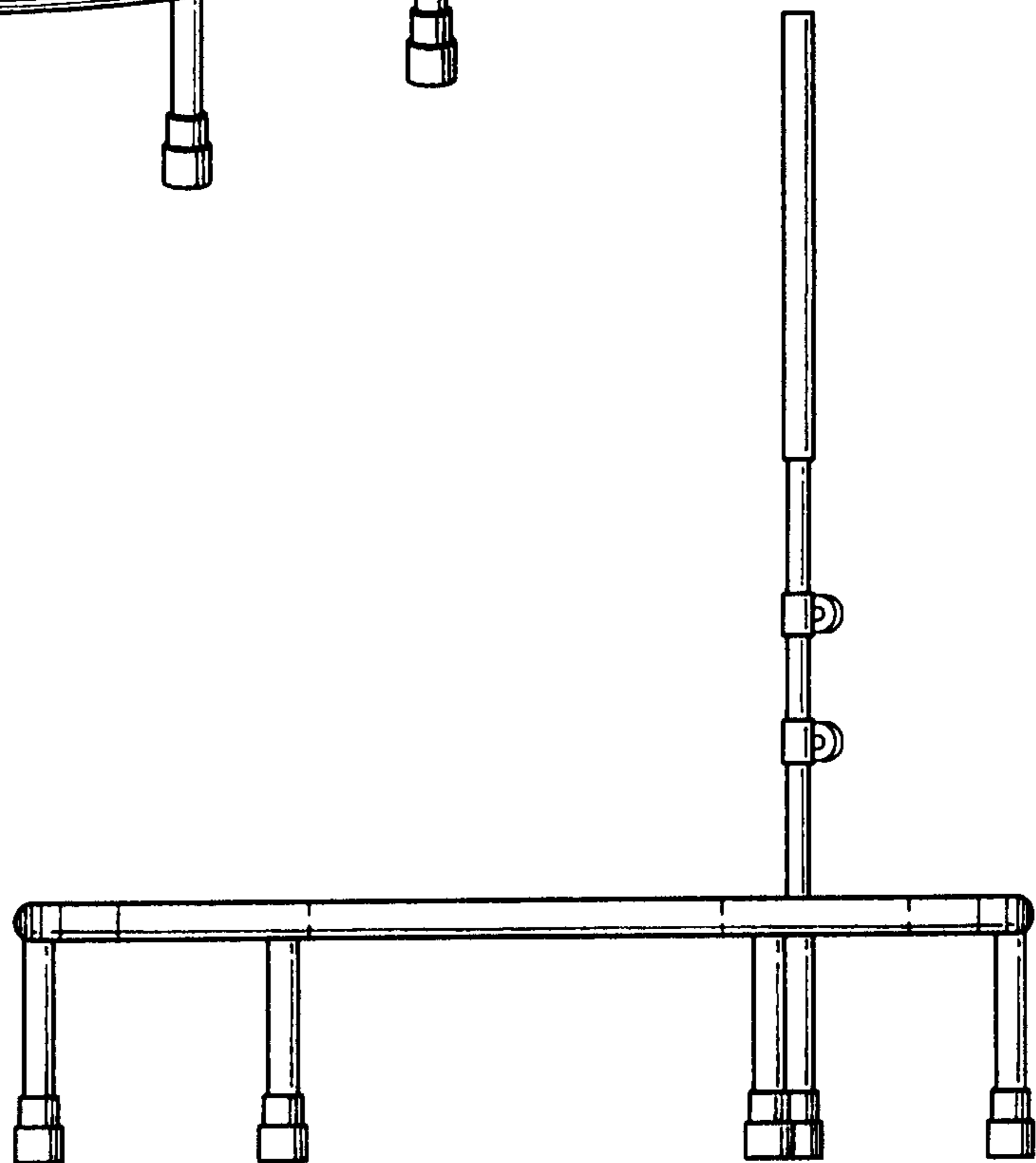


FIG. 7

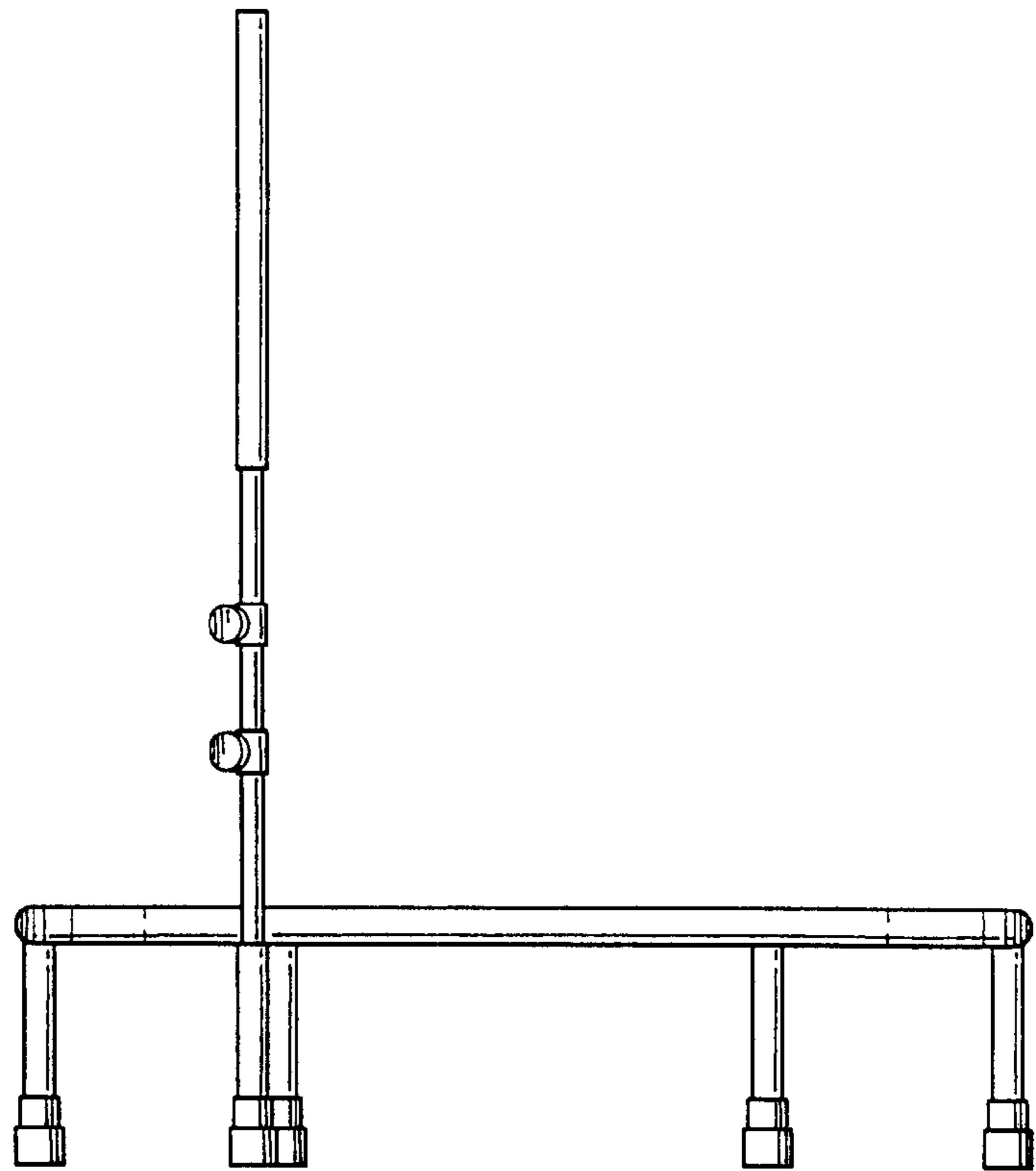


FIG. 8

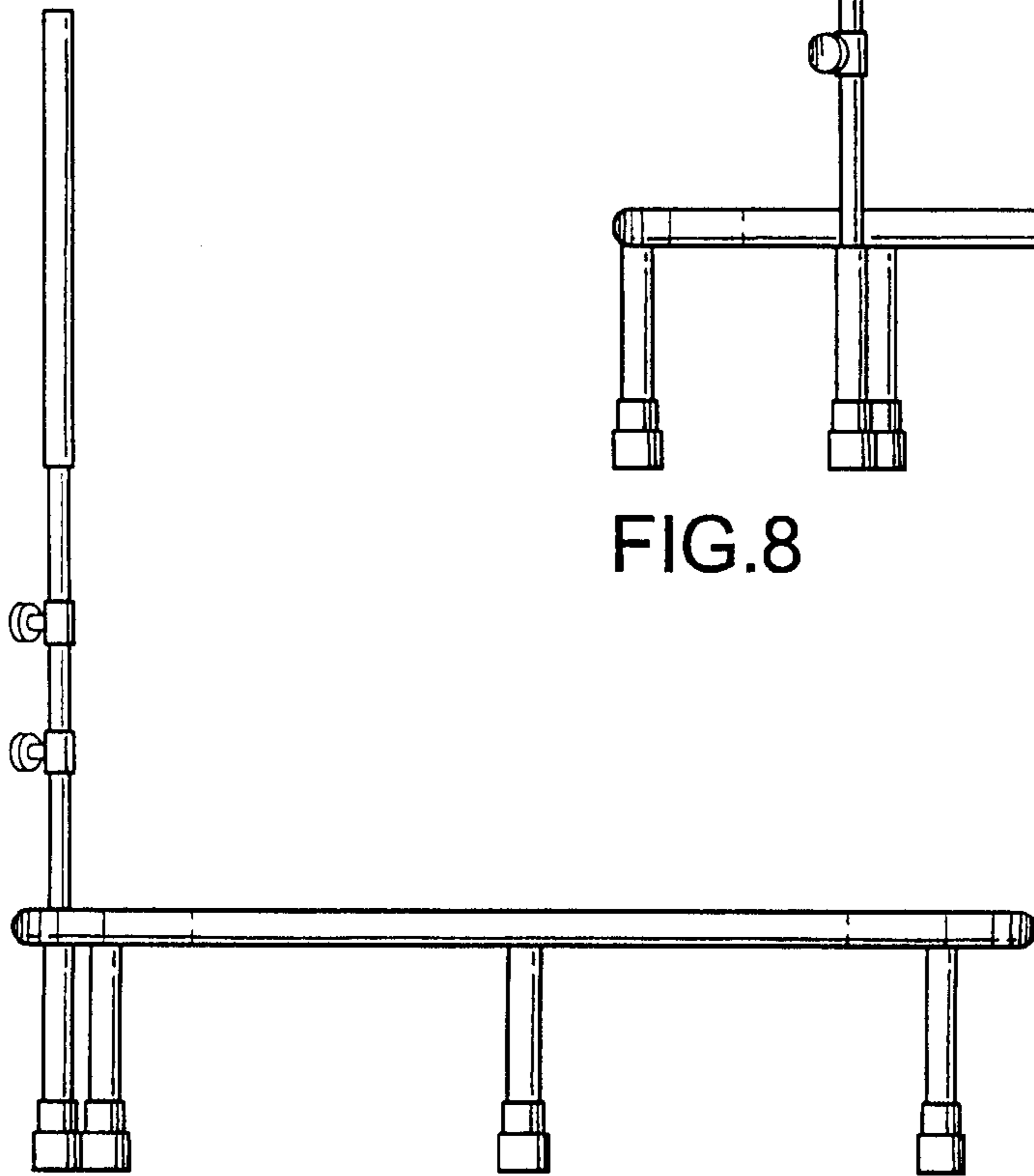


FIG. 9

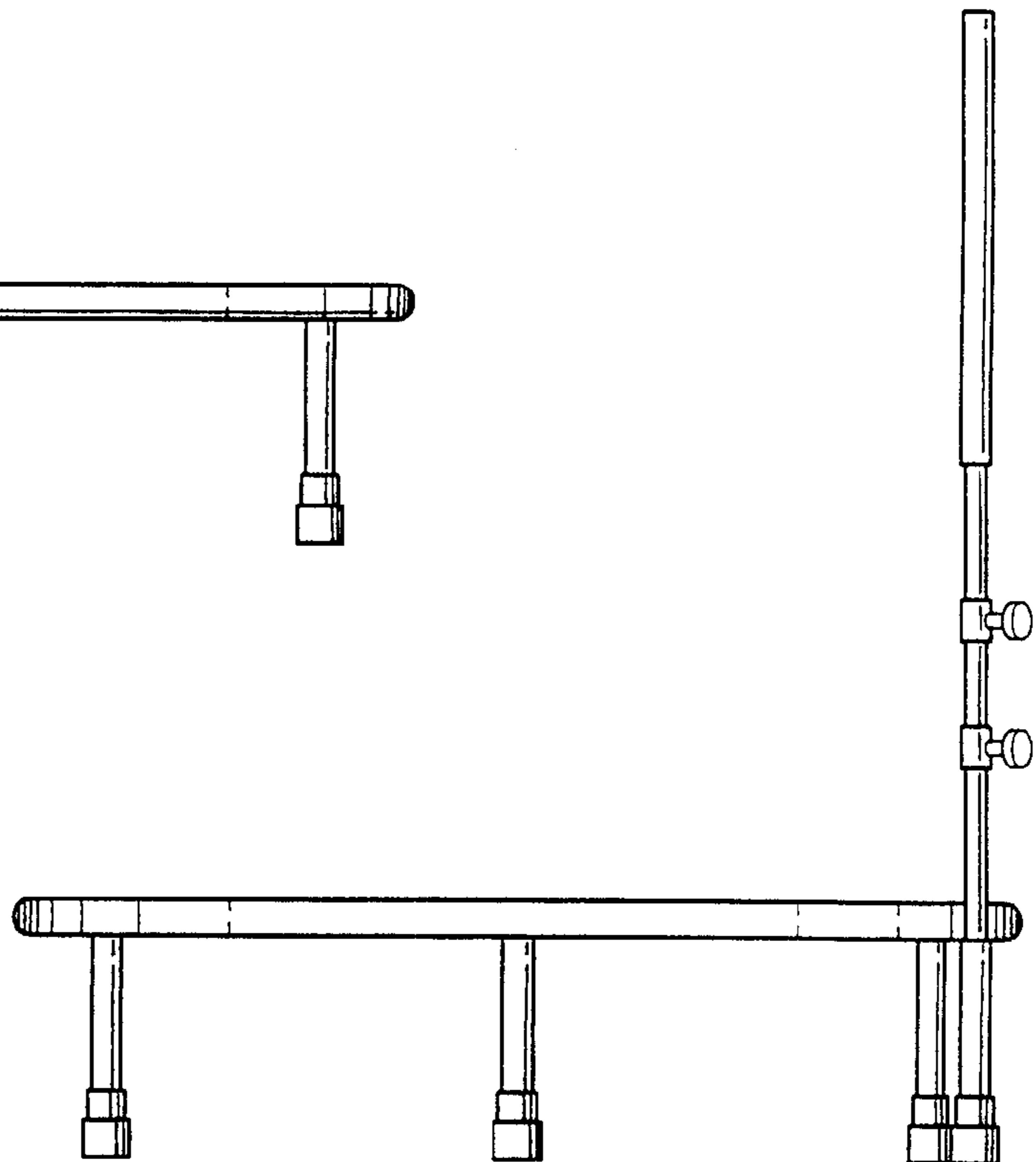


FIG. 10

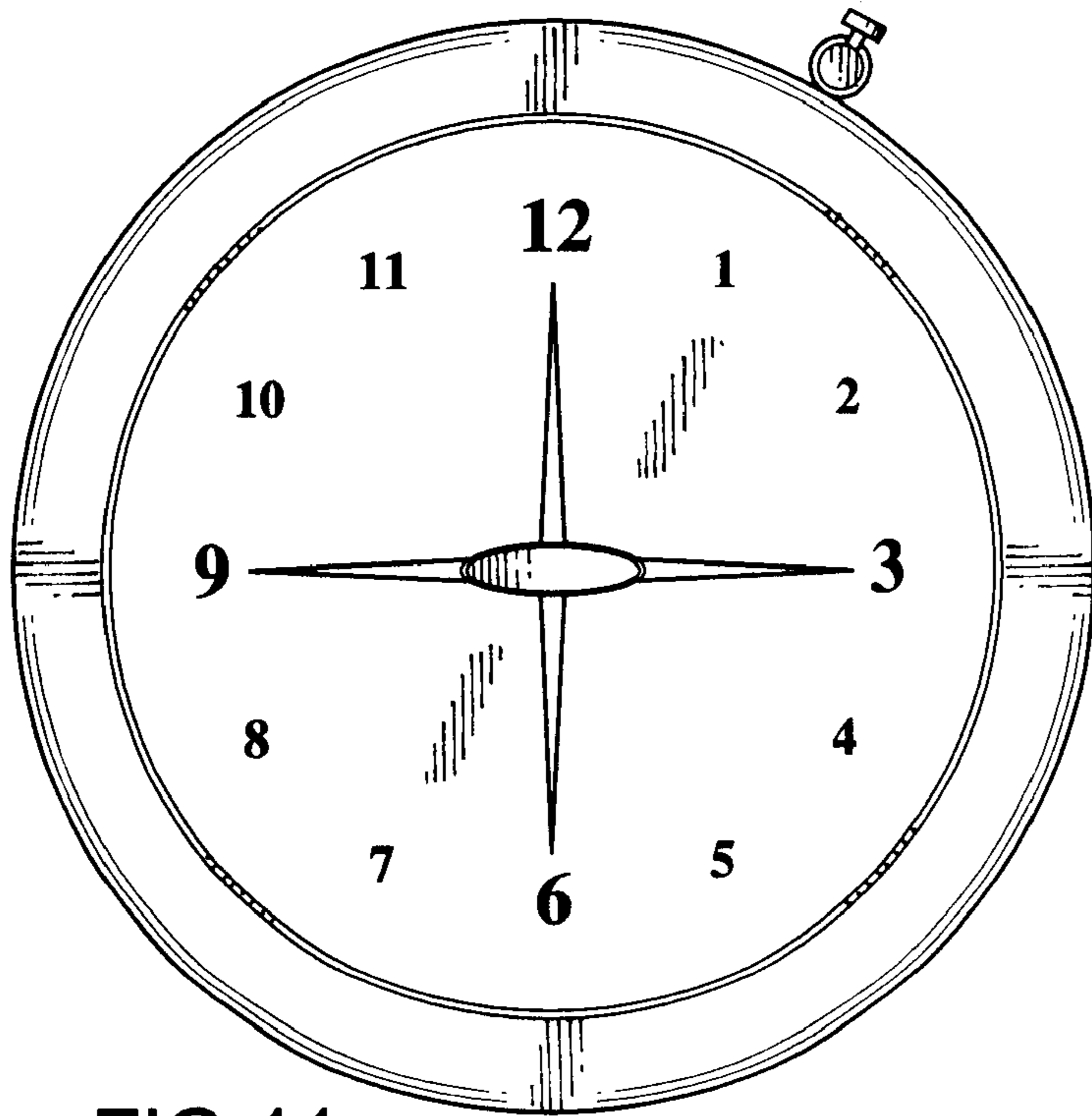


FIG. 11

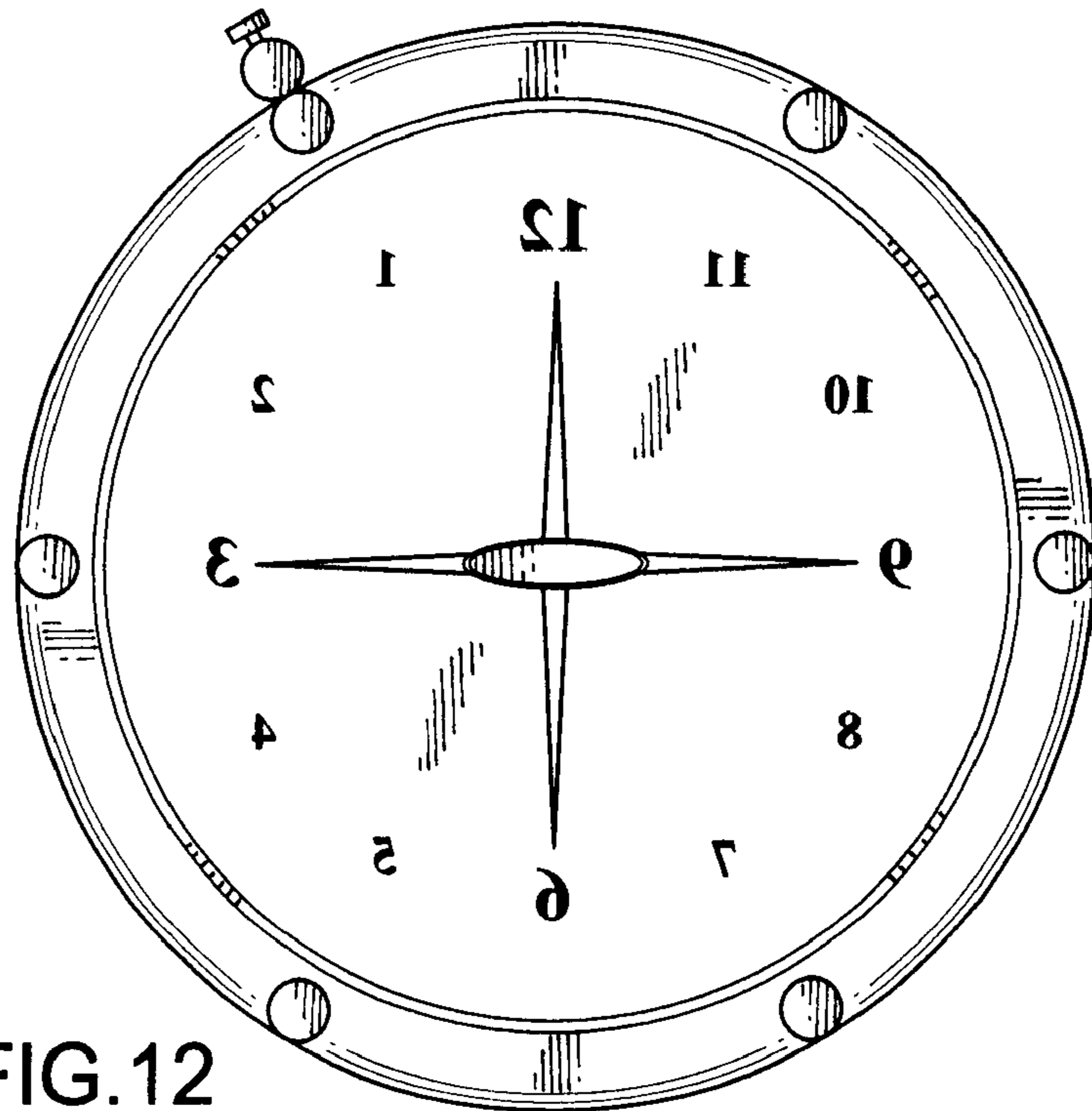


FIG. 12